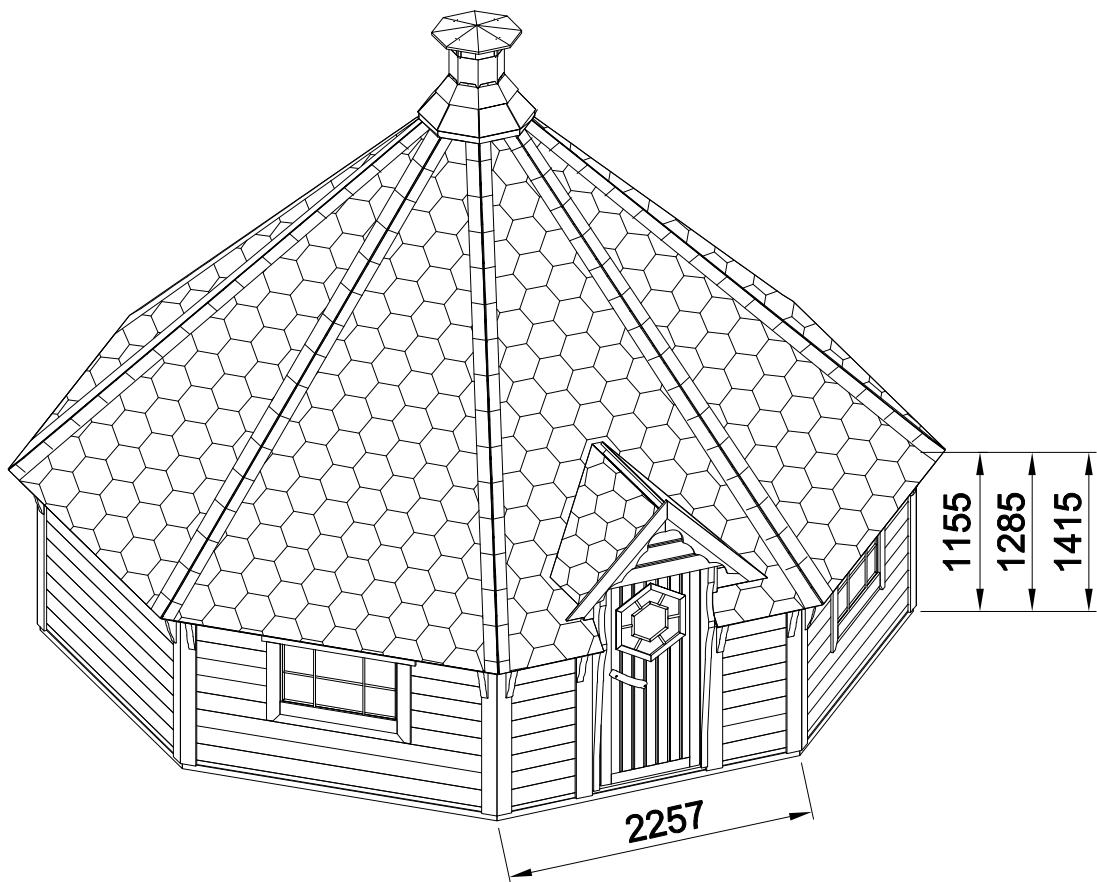
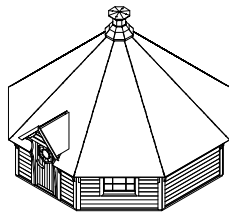


GRILL / CAMPING CABIN 25

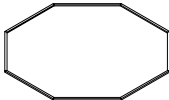


GRILL / CAMPING CABIN 25

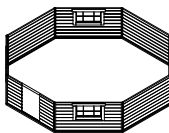
Grill/Camping cabin



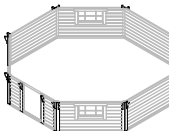
1. Step:
wood ring



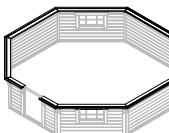
2. Step:
walls



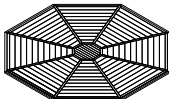
3. Step:
decoration (support)



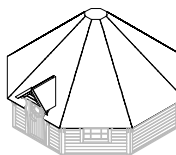
4. Step:
roof support ring



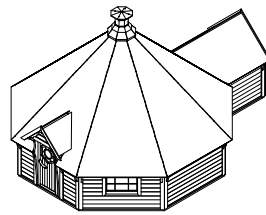
5. Step:
floors



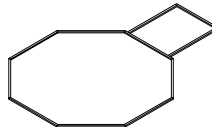
6. Step:
roof



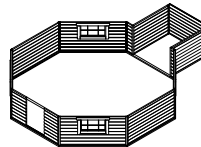
Grill+Extension



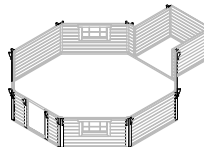
1. Step:
wood ring



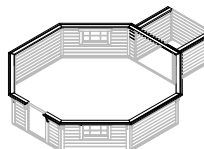
2. Step:
walls



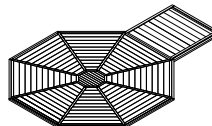
3. Step:
decoration (support)



4. Step:
roof support ring



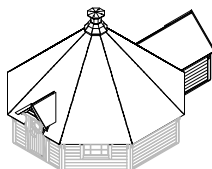
5. Step:
floors



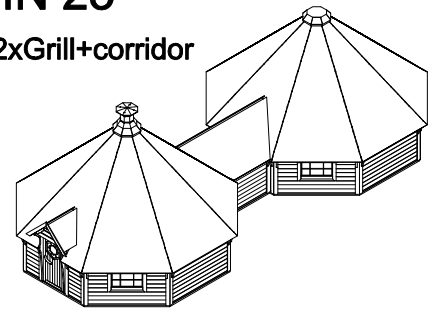
6. Step:
inside wall



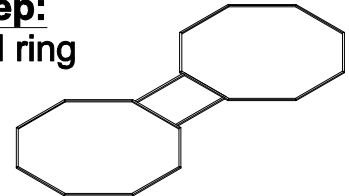
7. Step:
roof



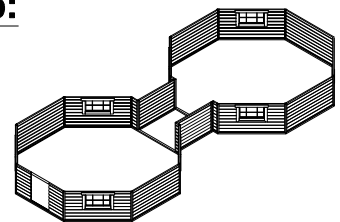
2xGrill+corridor



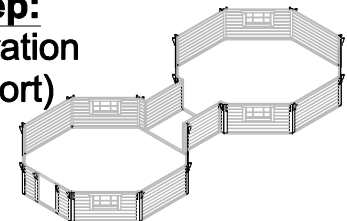
1. Step:
wood ring



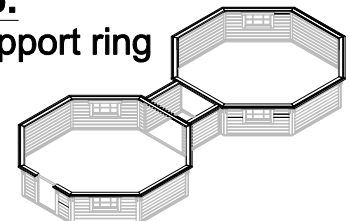
2. Step:
walls



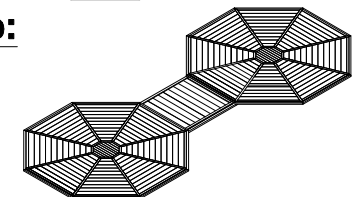
3. Step:
decoration
(support)



4. Step:
roof support ring



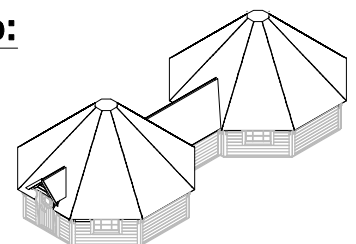
5. Step:
floors



6. Step:
inside wall



7. Step:
roof



Grill / Camping cabin 25 Foundation

It is very important to have a proper foundation.

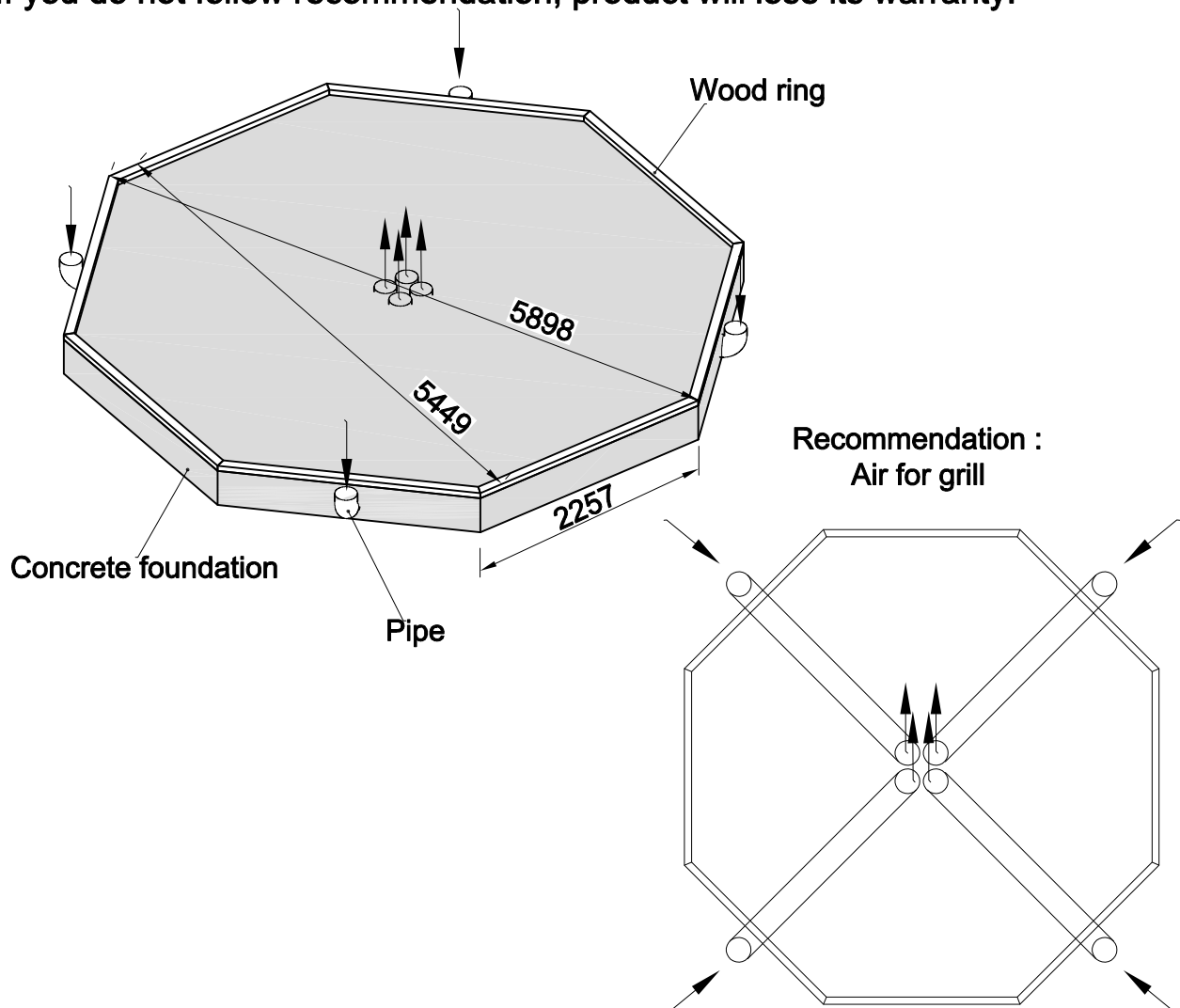
Therefore we recommend making the foundation according to the sketches here. First of all, foundation must be prepared according to the landscape and ground conditions.

The foundation under the product must be prepared specially, it must be homogeneous, tight and equal. It must be ensured that it will not change its properties. We recommend using concrete foundation. Before installation of product, we recommend to make hydro isolation of foundation.

Consult a local qualified builder or an engineer to prepare a proper foundation, which fits to your location.

Due to improper foundation, cracks in the structures may occur. Due to uneven product seating, the geometric shape of the product may change, which can result in door / window twist, or/and gap may appear. And in the worst case product 's collapse.

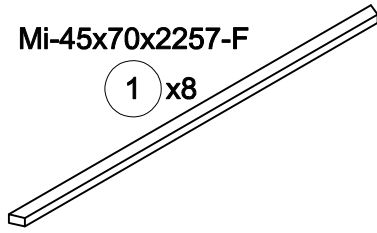
If you do not follow recommendation, product will lose its warranty.



1. Grill / camping cabin 25 Wood ring - foundation

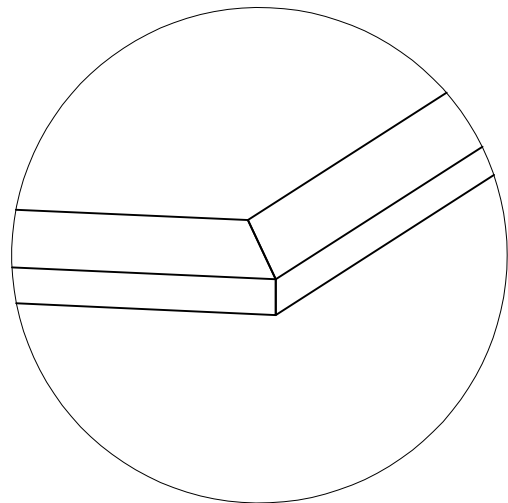
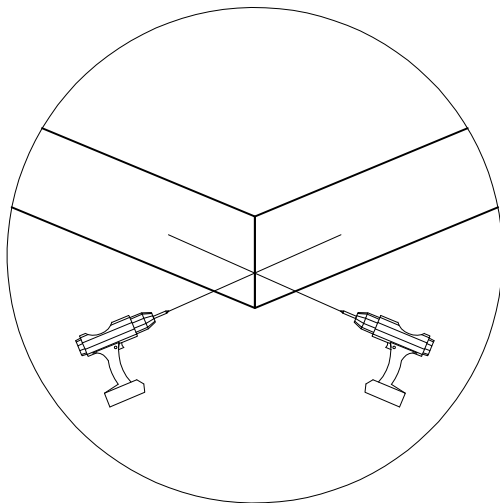
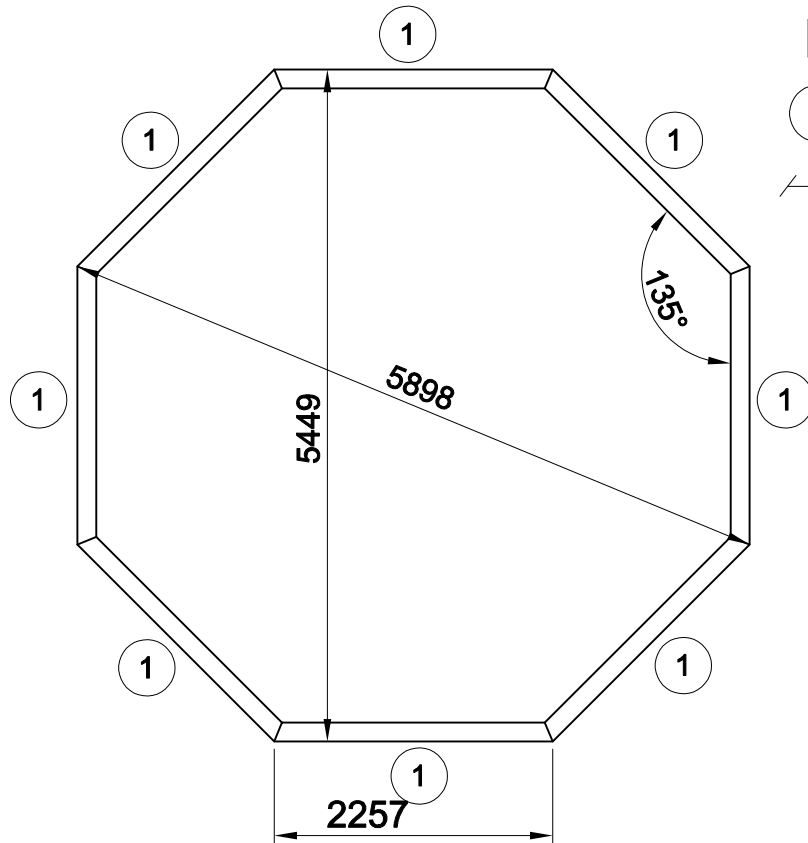
Mi-45x70x2257-F

1 x8

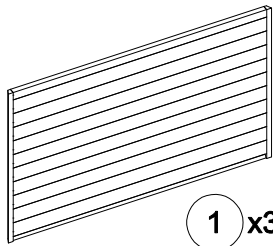


T-GC-5x100

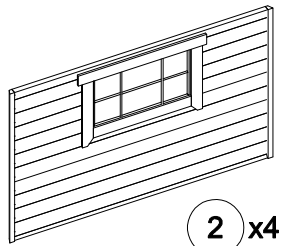
2 x16



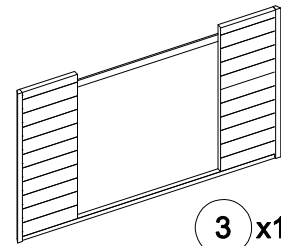
2. Grill / camping cabin 25 Walls connection



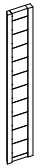
GR25-S-1155x2257
or
GR25-S-1285x2257
or
GR25-S-1415x2257



GR25-SL-1155x2257
or
GR25-SL-1285x2257
or
GR25-SL-1415x2257



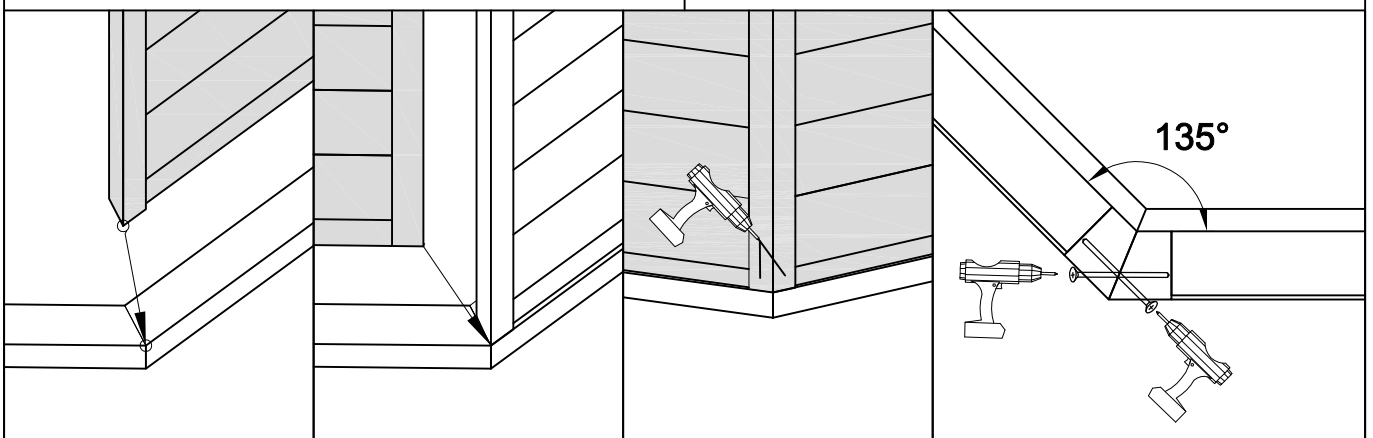
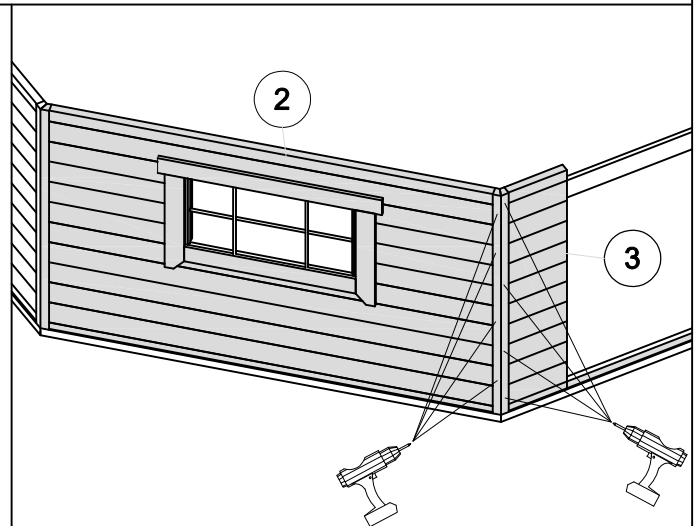
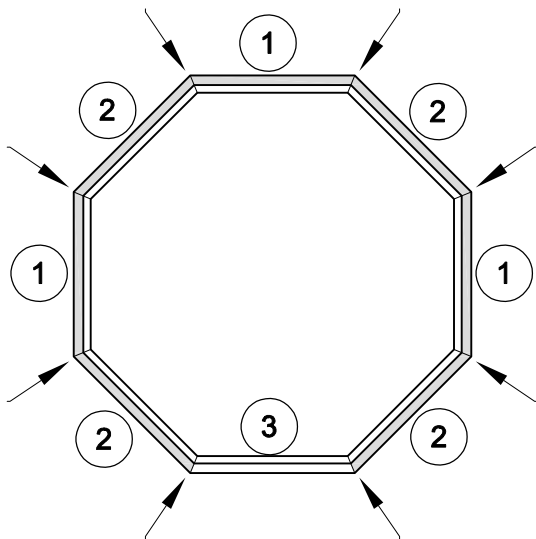
GR25-SD-1155x2257-A850 or (A1070)
or
GR25-SD-1285x2257-A850 or (A1070)
or
GR25-SD-1415x2257-A850 or (A1070)



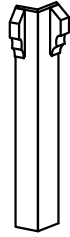
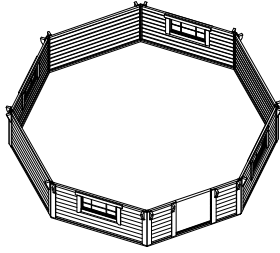
GR25-EXS-1155x258(k, d)
or
GR25-EXS-1285x258(k, d)
or
GR25-EXS-1415x285(k, d)



T-GC-5x100



3. Grill / Camping Cabin 25 Decoration (support) outside



1 x8

GR-8k-Apd-1155
or
GR-8k-Apd-1285
or
GR-8k-Apd-1415



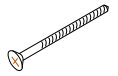
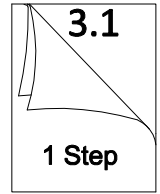
2 x1

GR-Apd(k)-1155
or
GR-Apd(k)-1285
or
GR-Apd(k)-1415



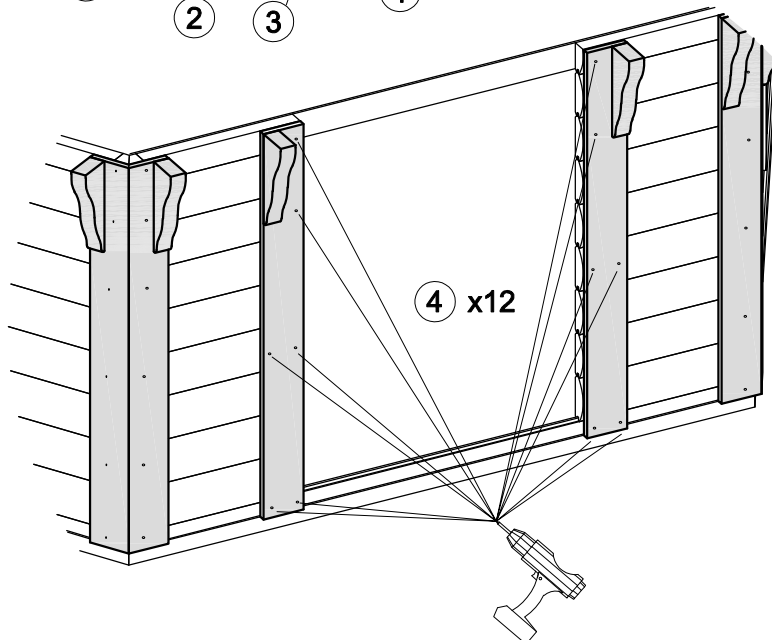
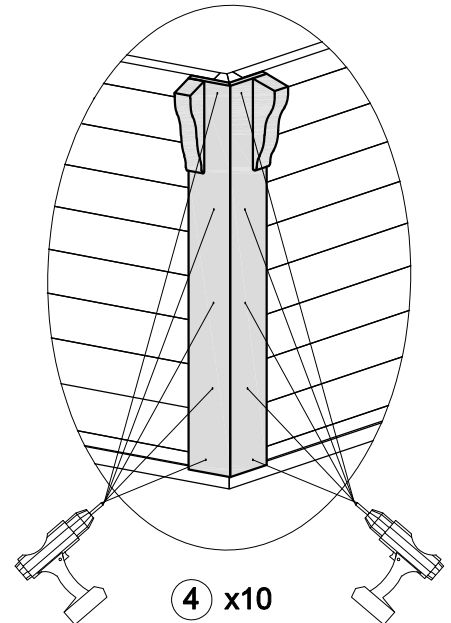
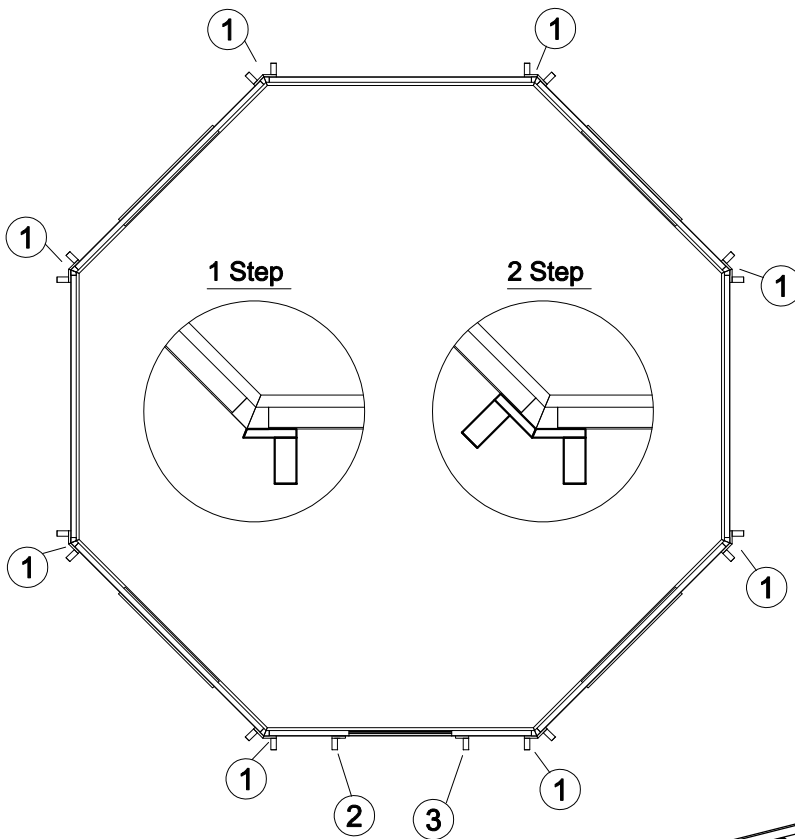
3 x1

GR-Apd(d)-1155
or
GR-Apd(d)-1285
or
GR-Apd(d)-1415

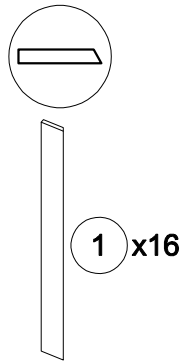


4 x92

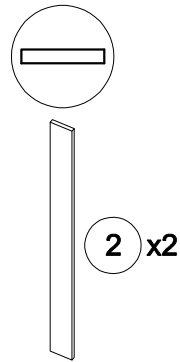
T-BC-4x50



3.1 Grill / Camping Cabin 25 DECORATION (SUPPORT) OUTSIDE



M-18x95x1155-F
or
M-18x95x1285-F
or
M-18x95x1415-F



M-18x95x1155
or
M-18x95x1285
or
M-18x95x1415



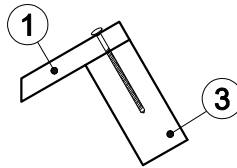
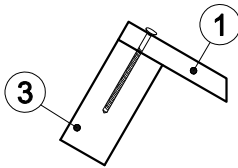
3 x18
M-45x95x270-CNC



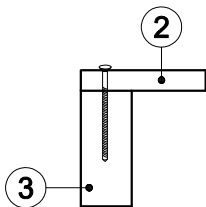
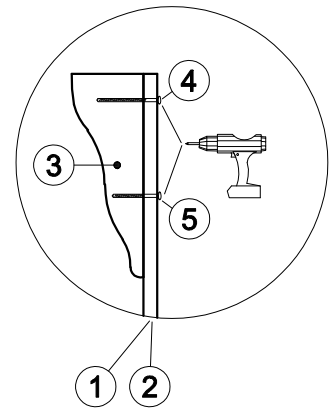
4 x18
T-BC-4x70



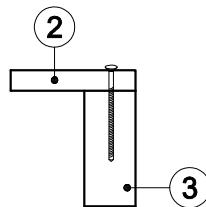
5 x18
T-BC-4x50



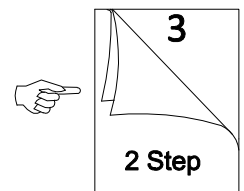
GR-8k-Apd-1155
or
GR-8k-Apd-1285
or
GR-8k-Apd-1415



GR-Apd(k)-1155
or
GR-Apd(k)-1285
or
GR-Apd(k)-1415

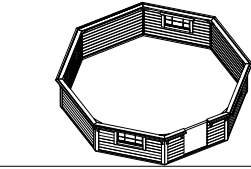


GR-Apd(d)-1155
or
GR-Apd(d)-1285
or
GR-Apd(d)-1415

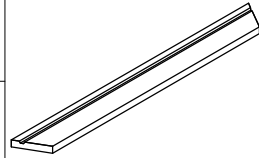
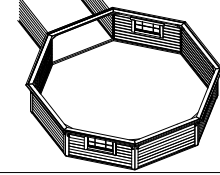


4. Grill / Camping Cabin 25

Roof support ring



Extension or Corridor



1 x7 or 8



2 x1



3 x1



4 x8

M-45x70x338-F



5 x75

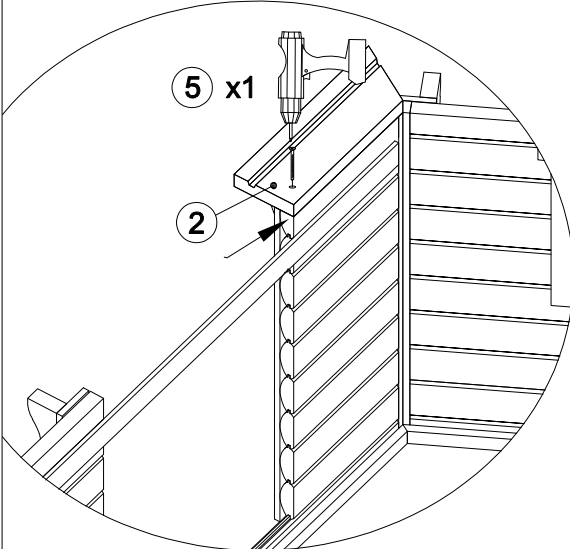
T-GC-5x100



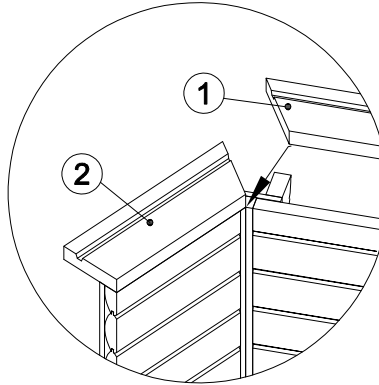
6 x16

T-GC-5x80

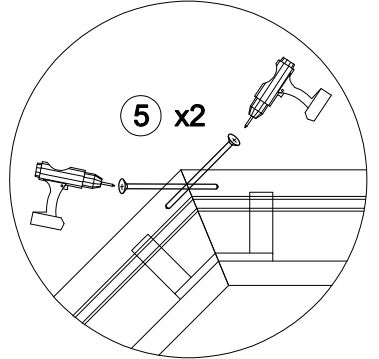
1 Step



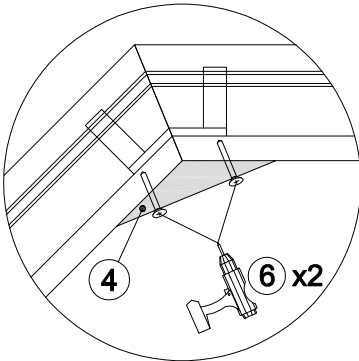
2 Step



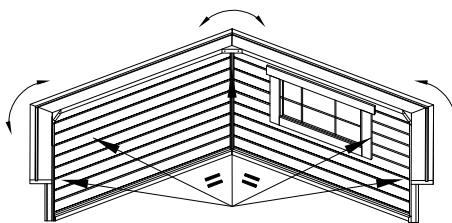
3 Step



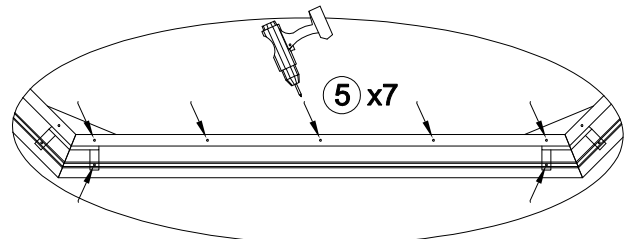
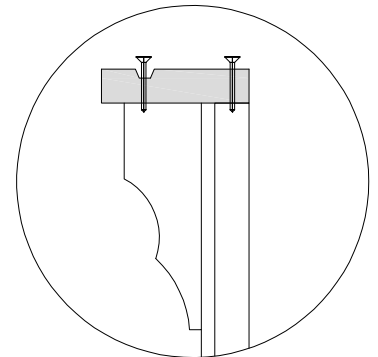
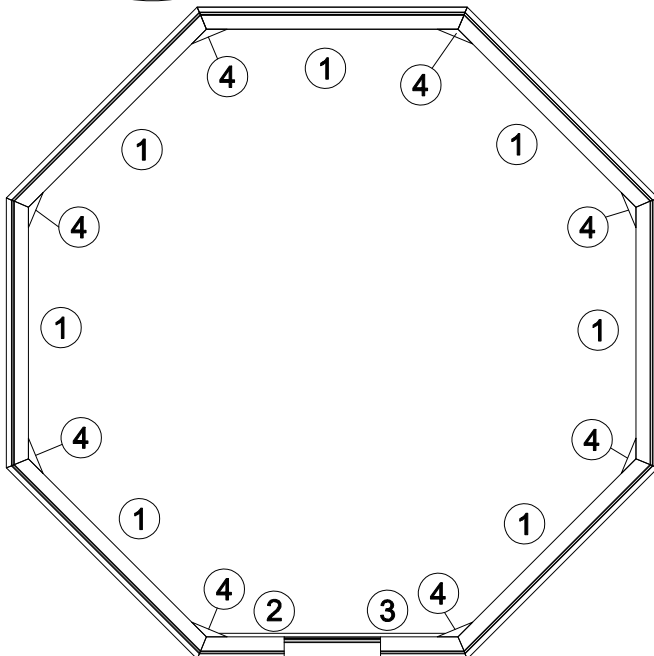
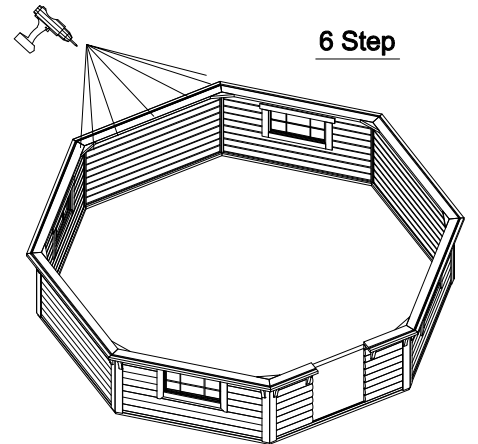
4 Step



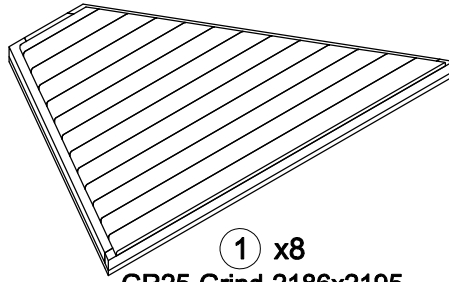
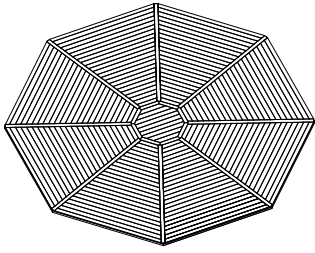
5 Step



6 Step

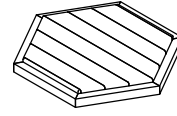


5. Grill / Camping Cabin 25 Floors



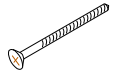
① x8

GR25-Grind-2186x2195
or
GR25-I-Grind-2186x2195
or
GR25-Spunt-2186x2195
or
GR25-I-Spunt-2186x2195



② x1

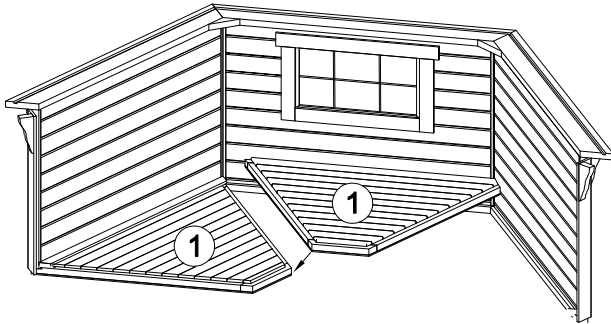
GR-8k-Grind-927x1003
or
GR-8k-I-Grind-927x1003
or
GR-8k-Spunt-927x1003
or
GR-8k-I-Spunt-927x1003



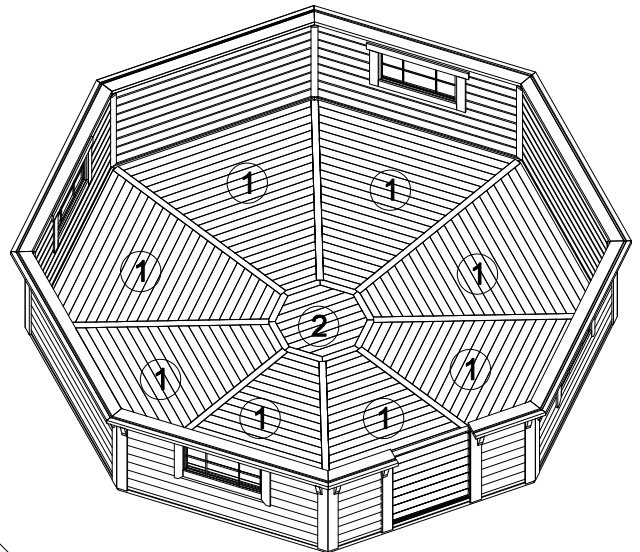
③ x56

T-GC-3.5x45

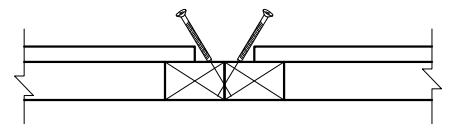
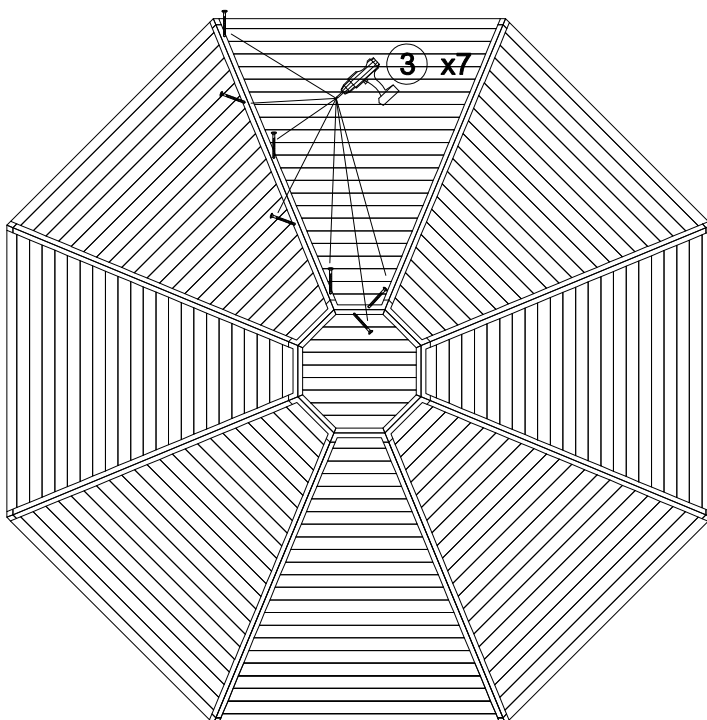
1 Step



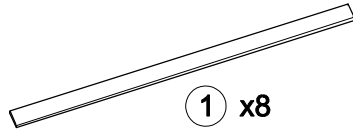
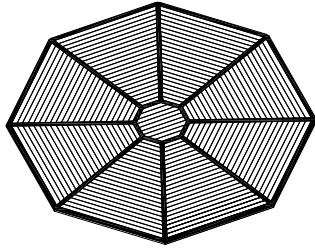
2 Step



3 Step

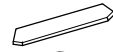


6. Grill / Camping Cabin 25 Floors



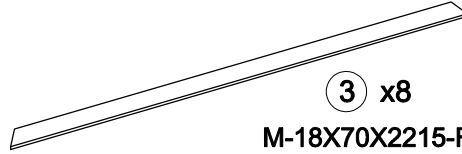
① x8

M-18X70X2327
or
Spunt-28x70x2327



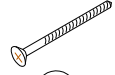
② x8

M-18X70X412-F
or
Spunt-28x70x412-F



③ x8

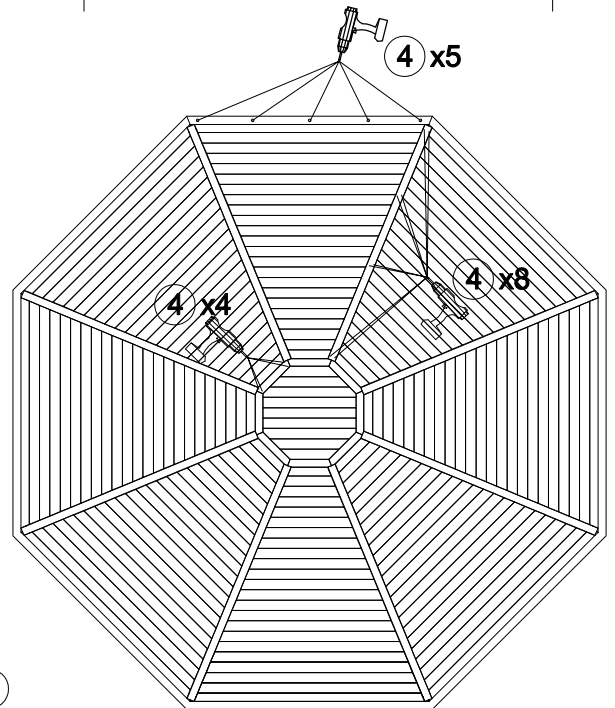
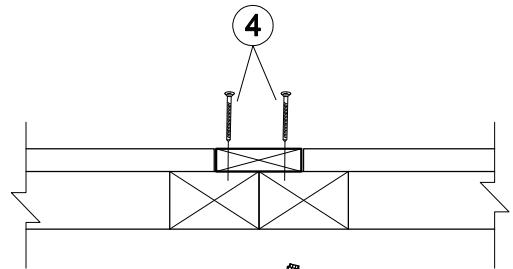
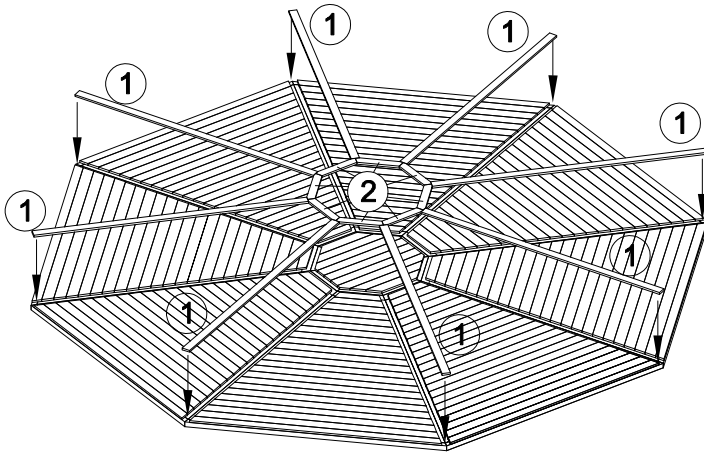
M-18X70X2215-F



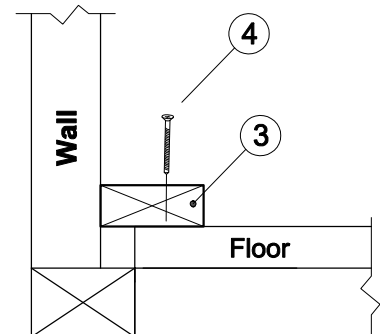
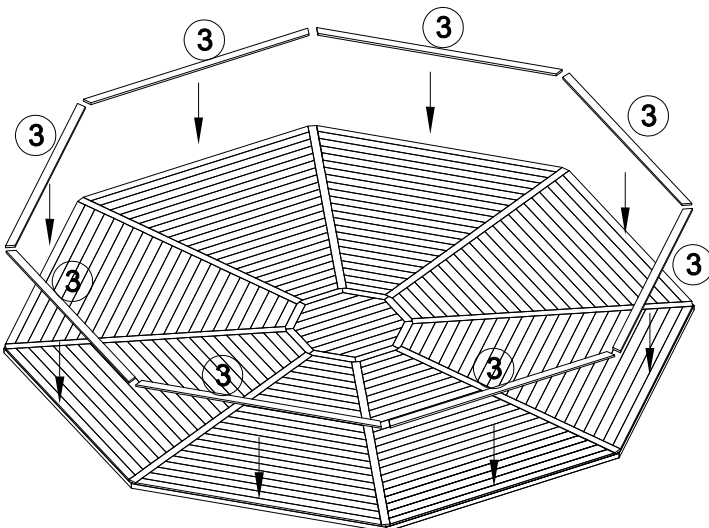
④ x136

T-GC-3.5x45

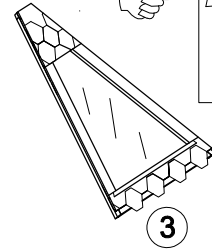
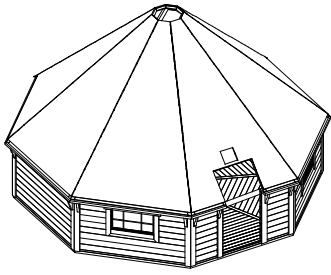
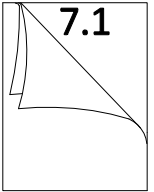
1 Step



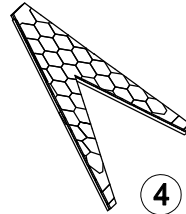
2 Step



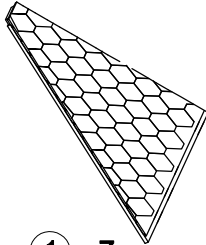
7. Grill / Camping Cabin 25 Roof



OR

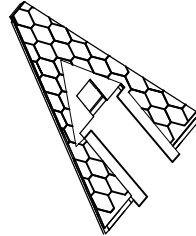


GR25-StogL-2359x3642
or
GR25-I-StogL-2359x3642



① x7

GR25-Stog-2359x3642
or
GR25-I-Stog-2359x3642



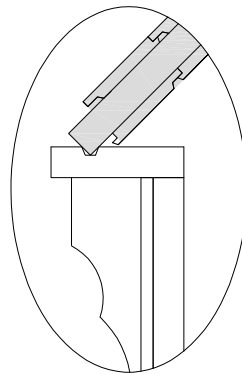
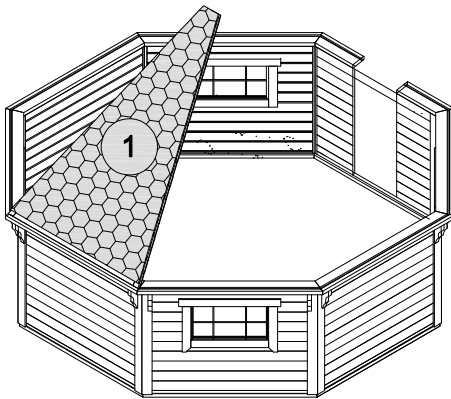
② x1

GR25-StogD-2359x3642-A850 or A1070
or
GR25-I-StogD-2359x3642-A850 or 1070

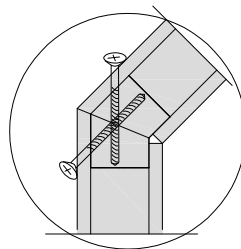
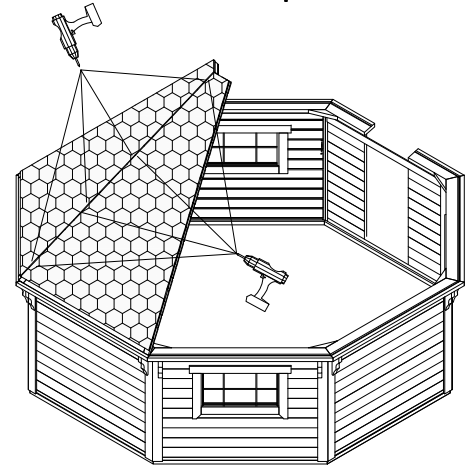


⑤ x104
T-GC-5x80

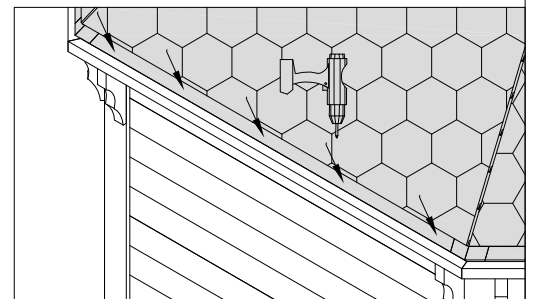
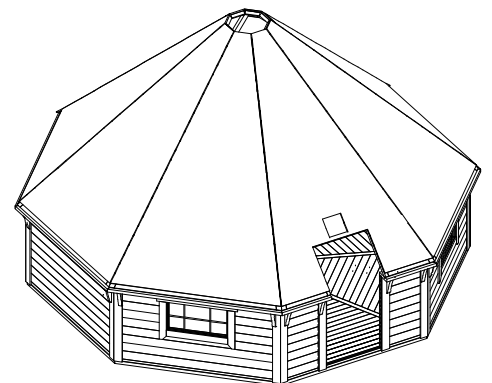
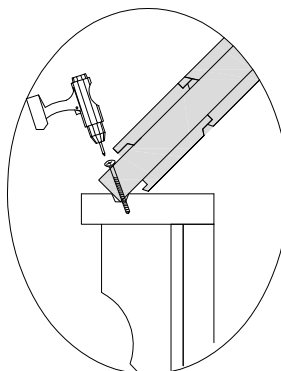
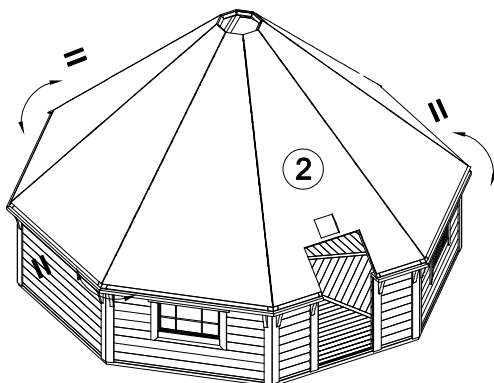
1 Step



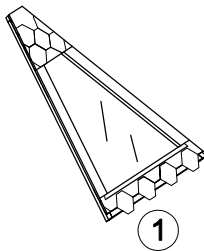
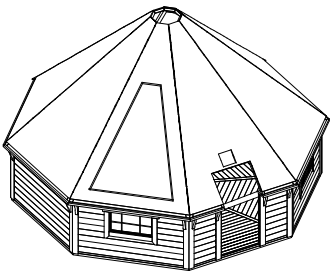
2 Step



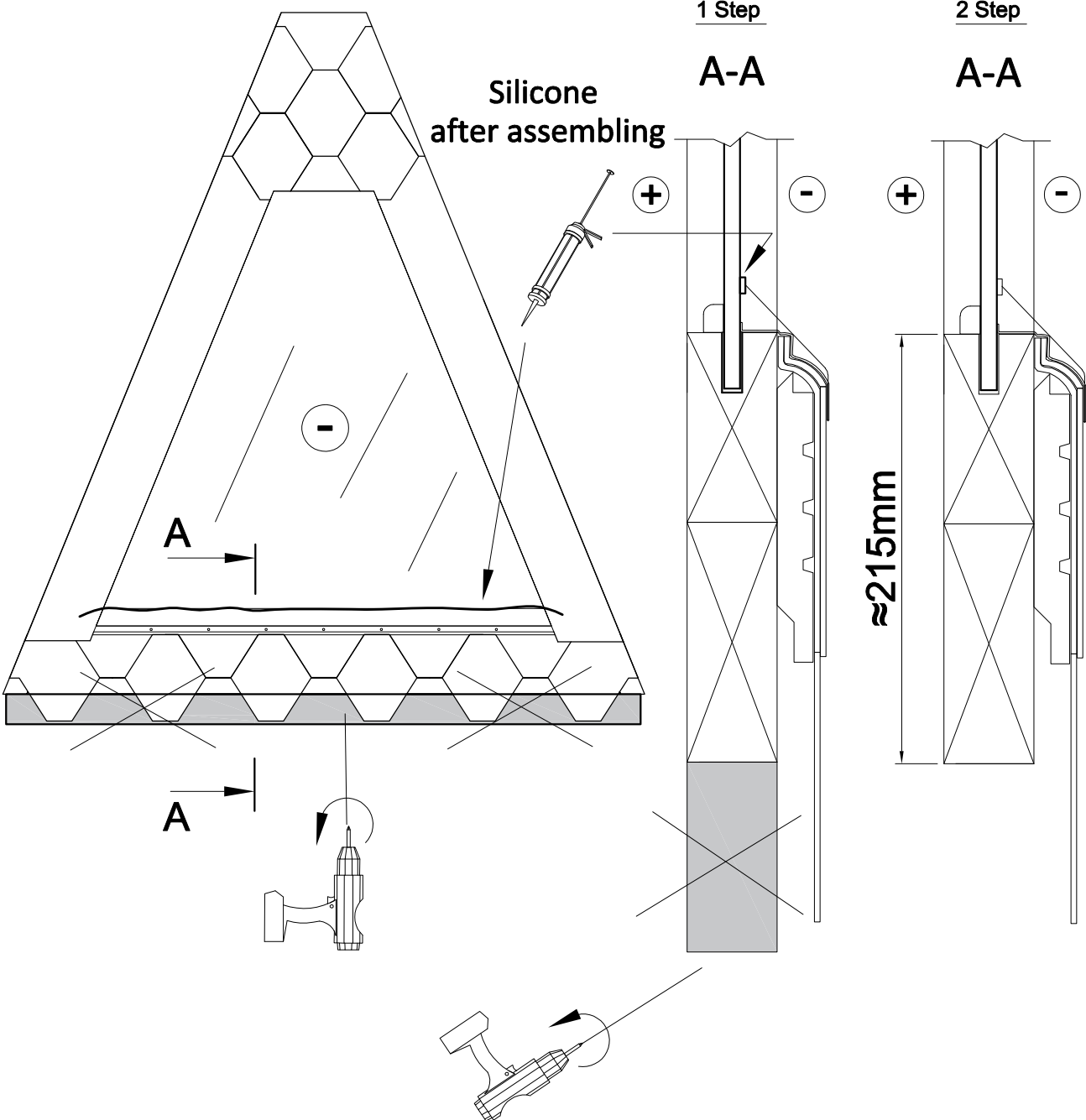
3 Step



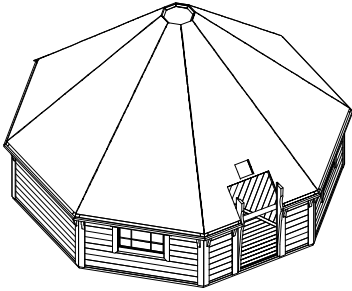
7.1 Grill / Camping Cabin 25 ROOF



GR25-StogL-2359x3642
or
GR25-I-StogL-2359x3642



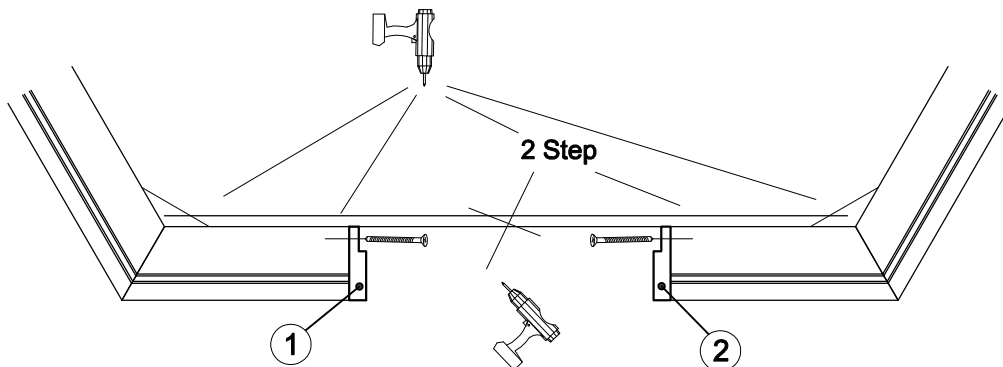
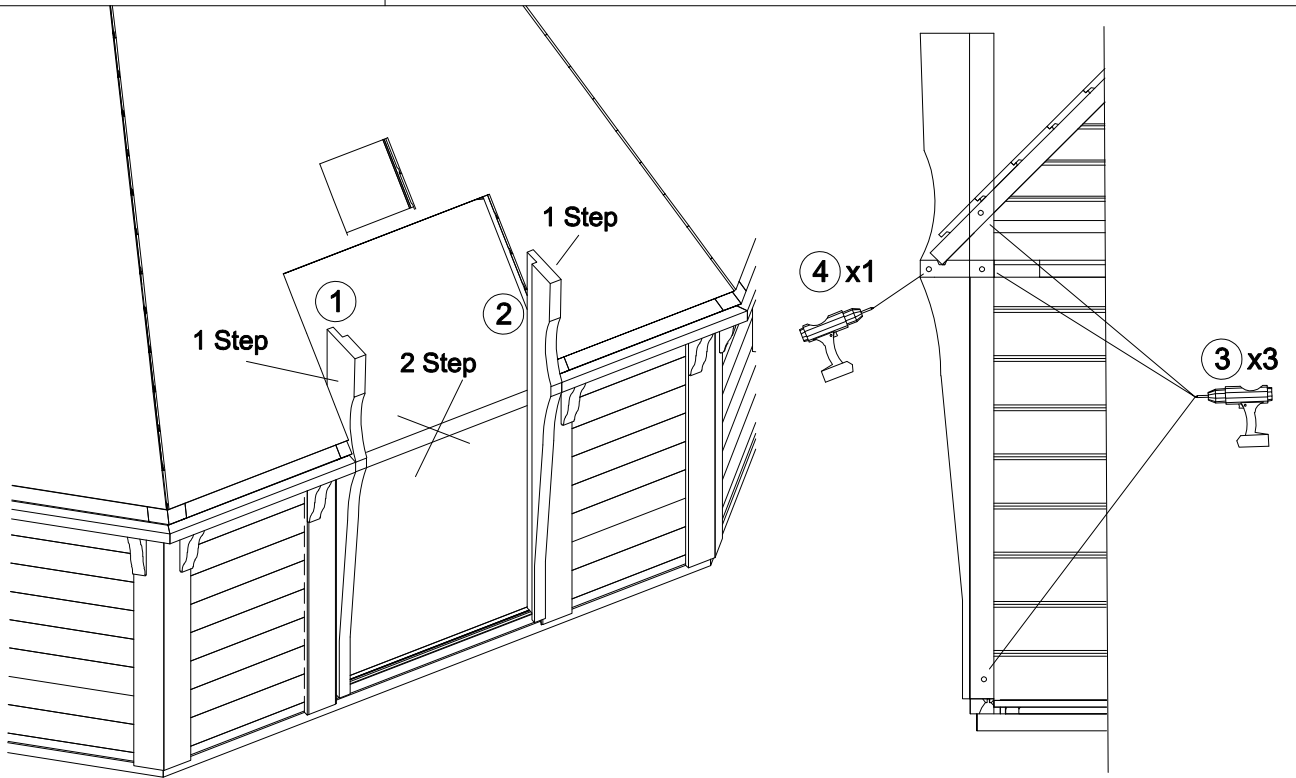
8. Grill / Camping Cabin 25 Entrance support

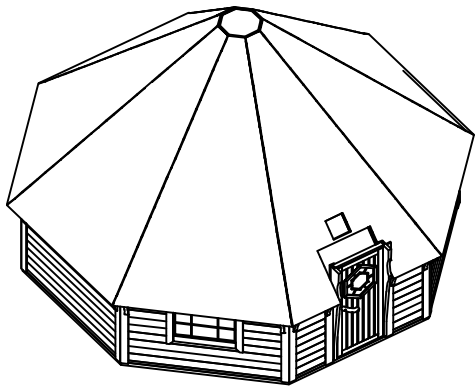


M-45x195x1630-CNC(k)
or
M-45x195x1760-CNC(k)
or
M-45x195x1890-CNC(k)



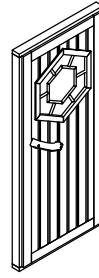
M-45x195x1630-CNC(k)
or
M-45x195x1760-CNC(d)
or
M-45x195x1890-CNC(d)





9. Grill / camping cabin 25 Outside door

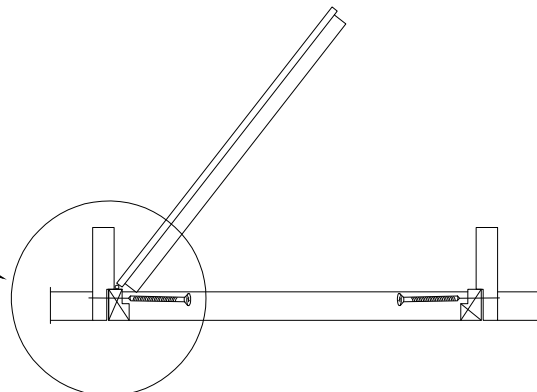
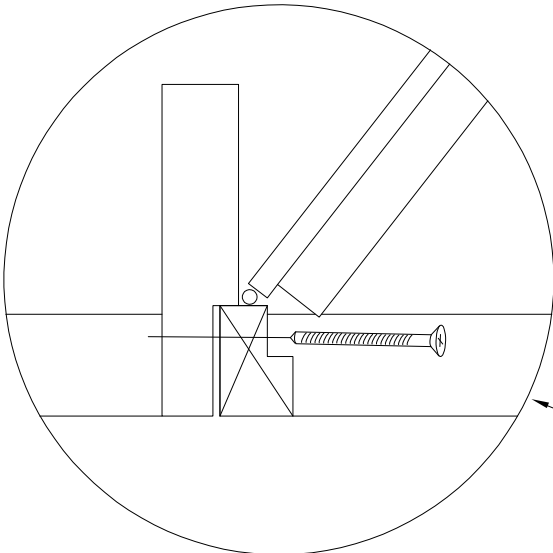
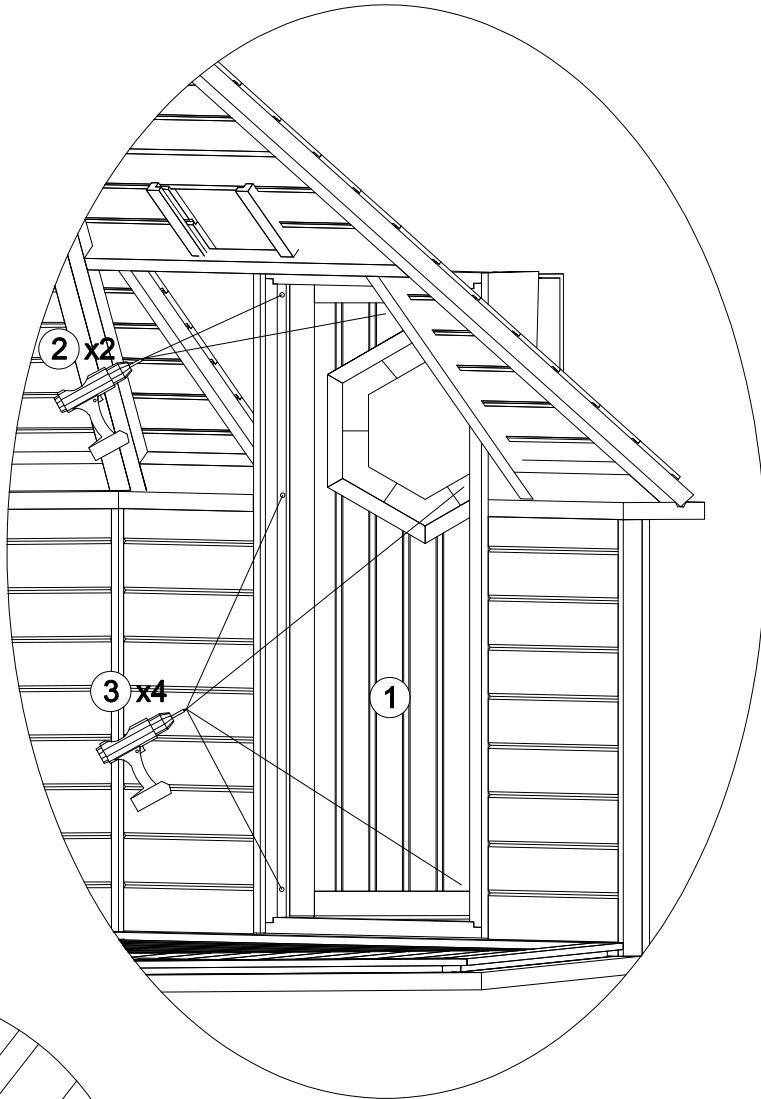
① x1
PUS00013
or
PUS00060
or
PUS00317



② x2
T-BC-4x50



③ x4
T-GC-5x100



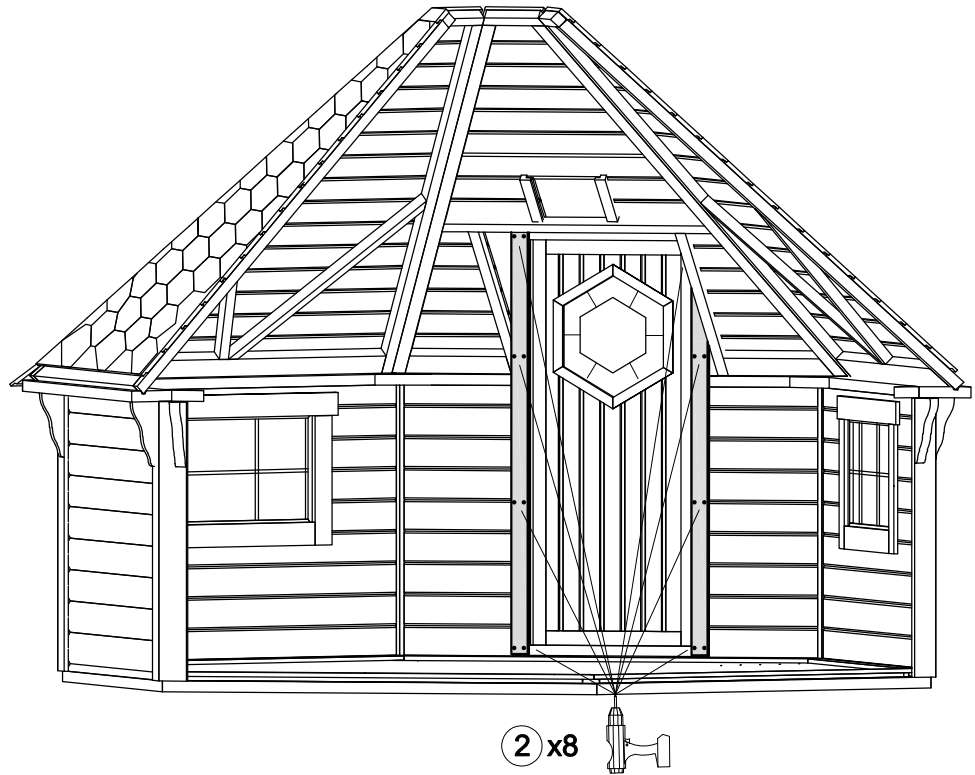
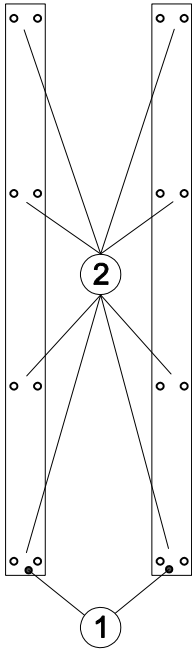
9.1 Grill / Camping Cabin 25

Inside finishing board

① x2
M-18x70x1624
or
M-18x70x1754
or
M-18x70x1884

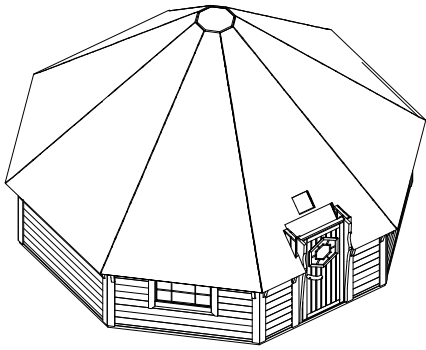


② x16
T-GC-3.5x45

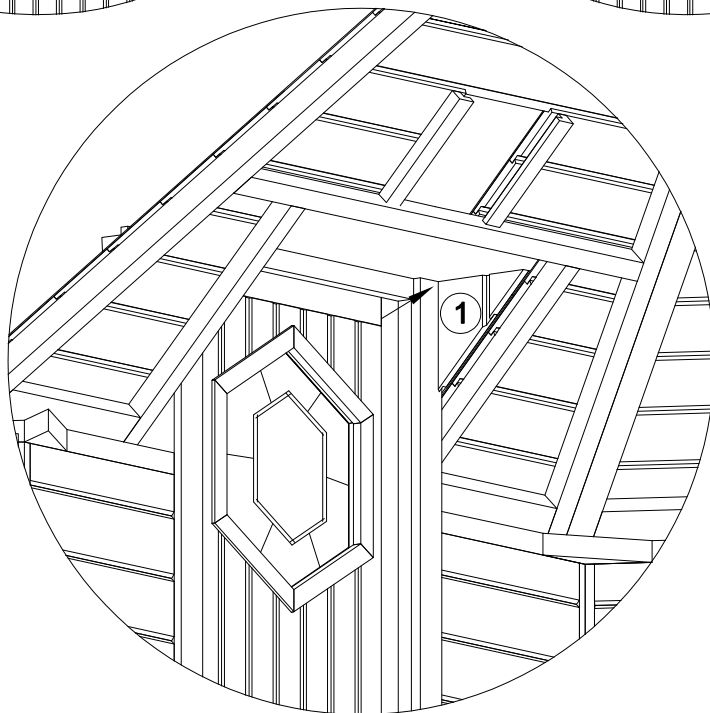
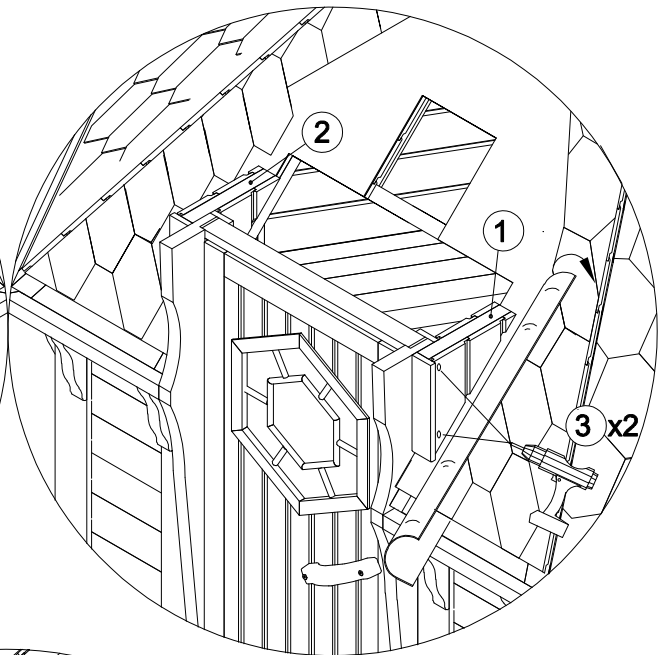
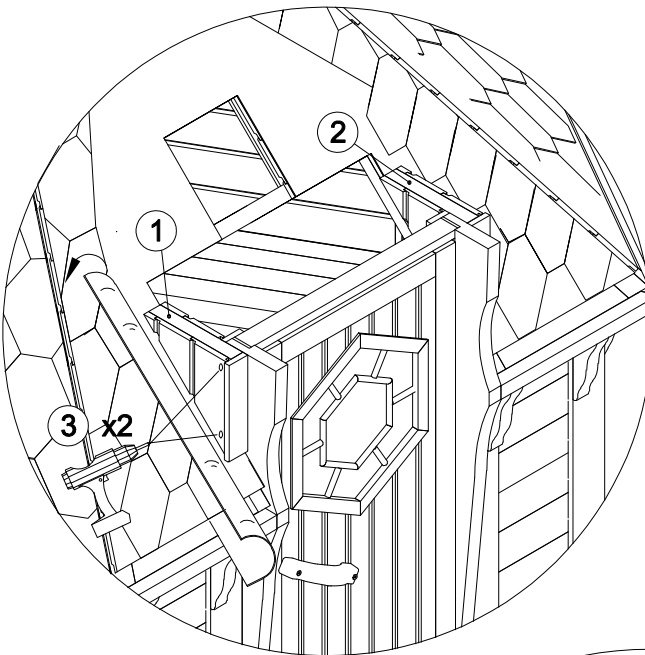


② x8

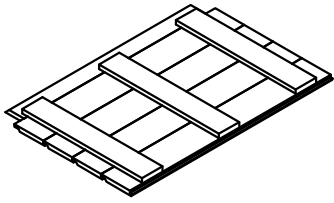
10. Grill / camping cabin 25 Entrance assembly



- ① x1
GR-trikamp-313x331-(k)
- ① x1
M-45X136X271-F
- ③ x4
T-GC-5x80
- OR**
- ② x1
GR-trikamp-313x331-(d)
- ② x1
M-45X136X271-F

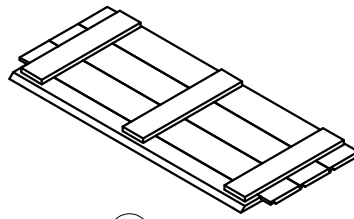


10.1 Grill / Camping Cabin 25 Entrance assembly



① x1
GR-lubos-636x939

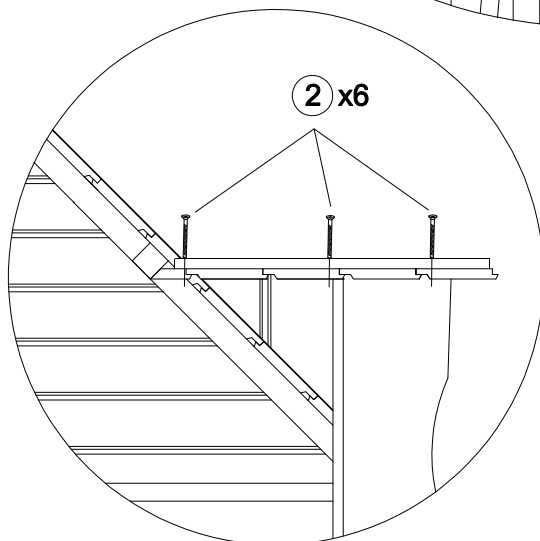
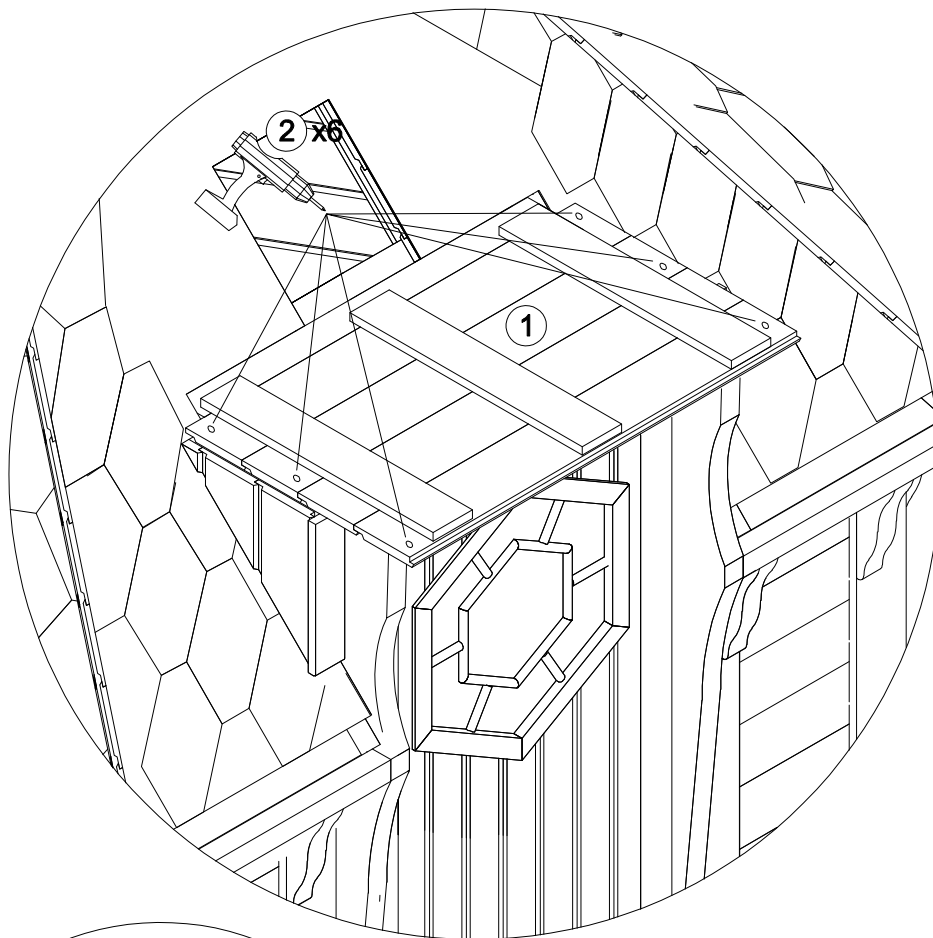
OR



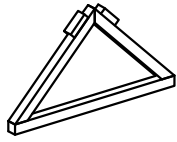
① x1
GR-lubos-507x1159



② x6
T-GC-4x70

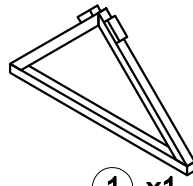


10.2 Grill / Camping Cabin 25 Entrance assembly



① x1

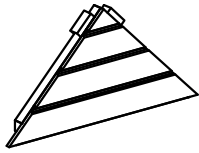
GR-Stog-trik-453x815



① x1

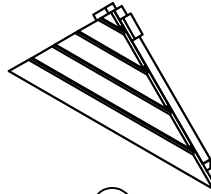
GR-Stog-trik-563x1035

OR



② x1

GR-Pr-trik-491x981



② x1

GR-Pr-trik-601x1202



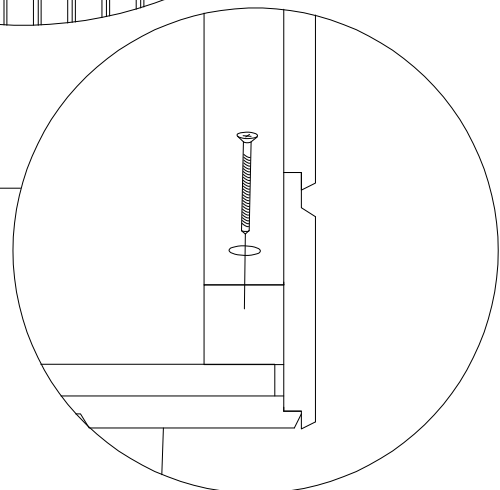
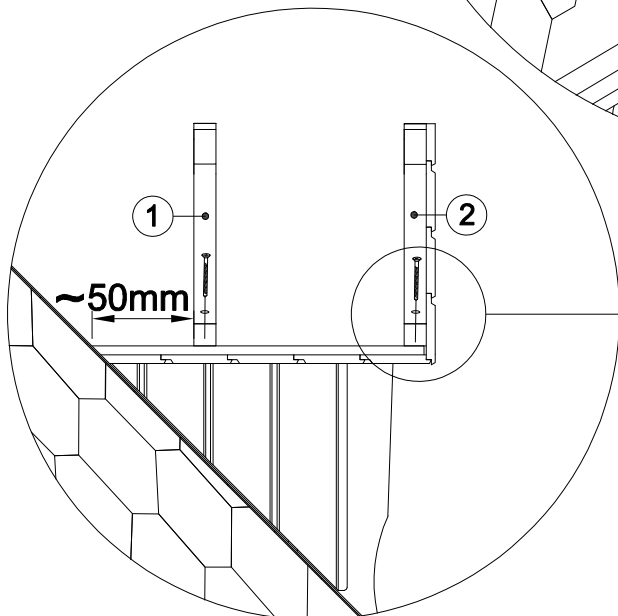
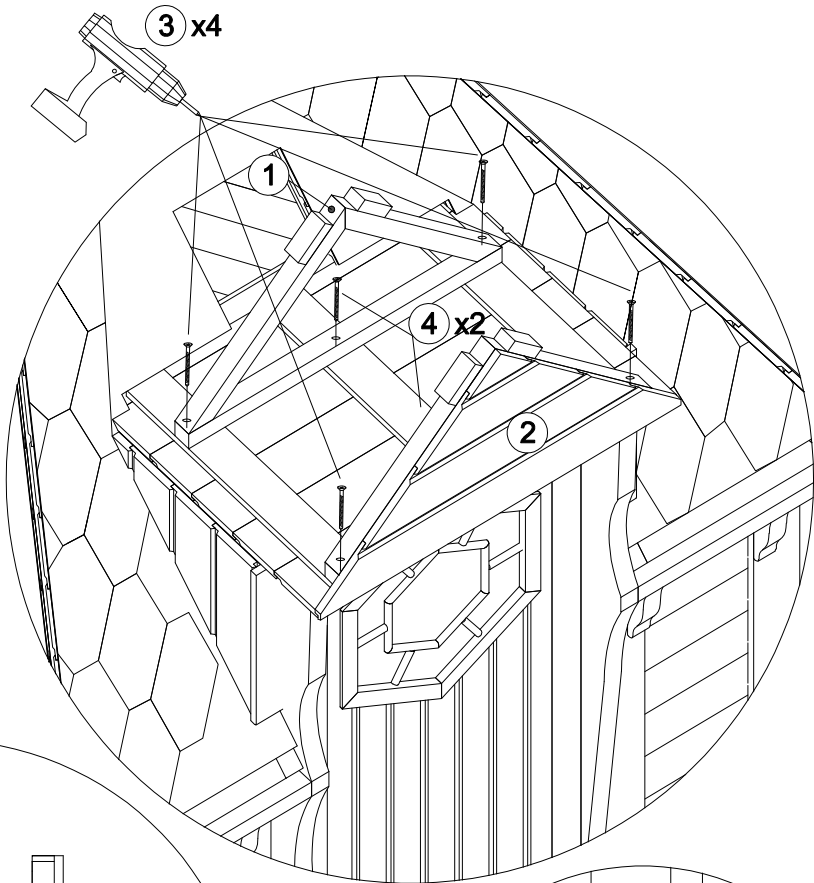
③ x4

T-GC-5x100

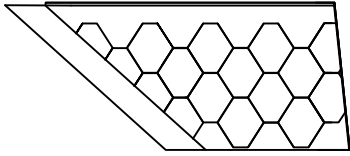


④ x2

T-GC-4x70

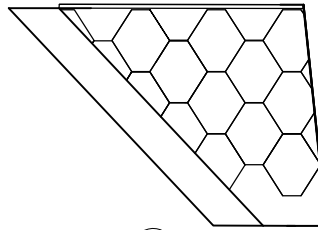


10.3 Grill / Camping Cabin 25 Entrance assembly



① x1

GR-Stog-845x1090-(k)



① x1

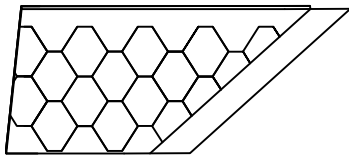
GR-Stog-1001x1070-(k)

OR



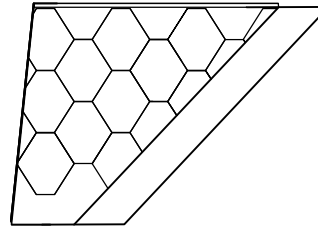
③ x8

T-GC-5x100



② x1

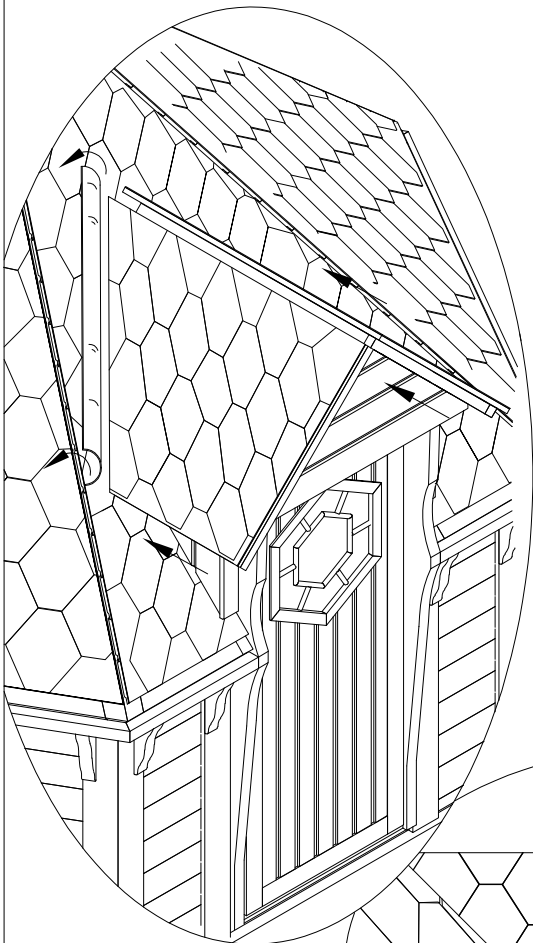
GR-Stog-845x1090-(d)



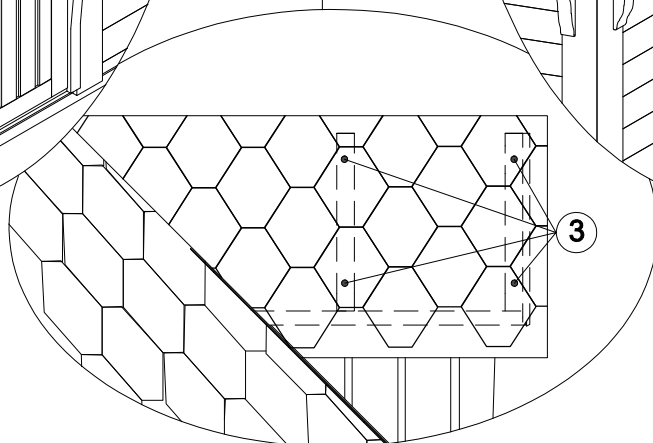
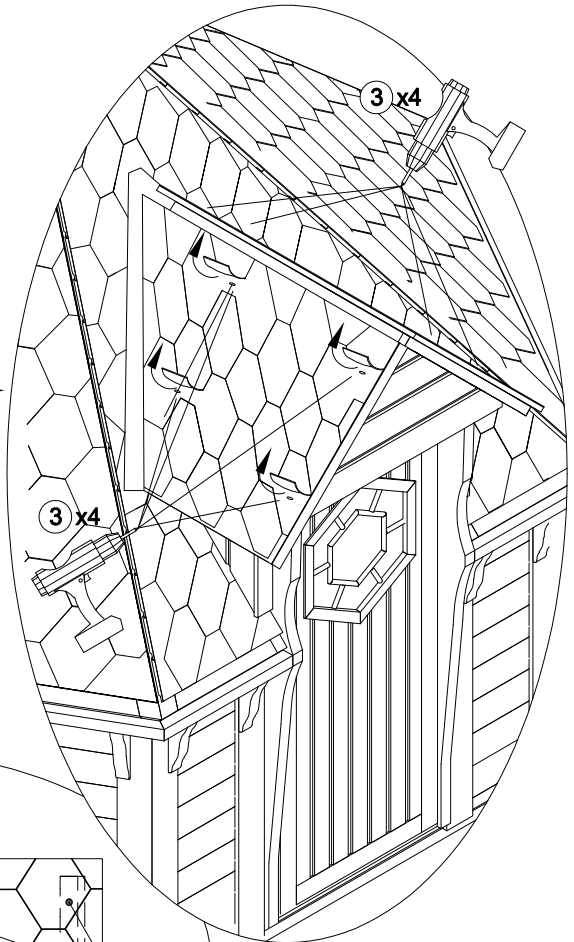
② x1

GR-Stog-1001x1070-(d)

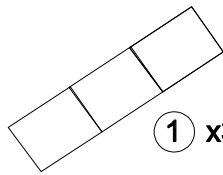
1 Step



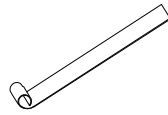
2 Step



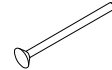
10.4 Grill / Camping Cabin 25 Entrance assembly



① x3
Bitumines-
cerpes-3x250x1000

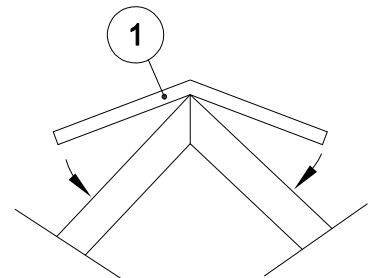
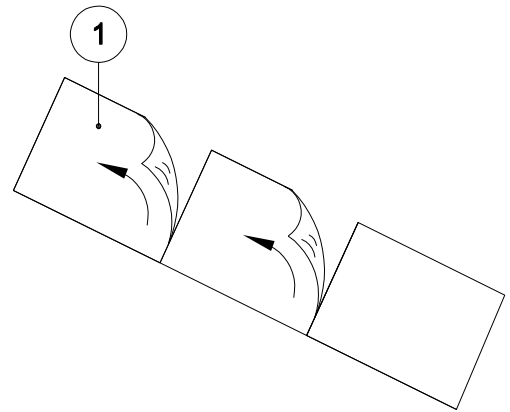
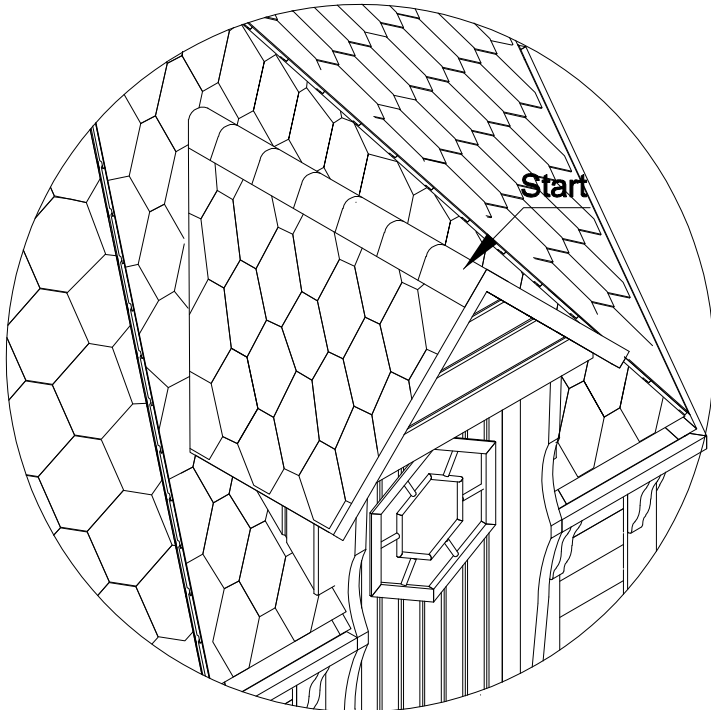


② x2
Bitumine-
juosta-3x70x1360

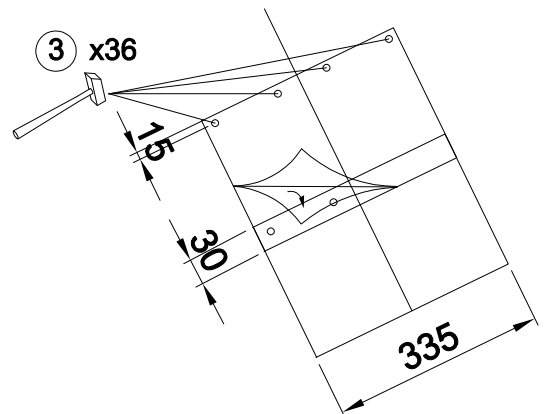
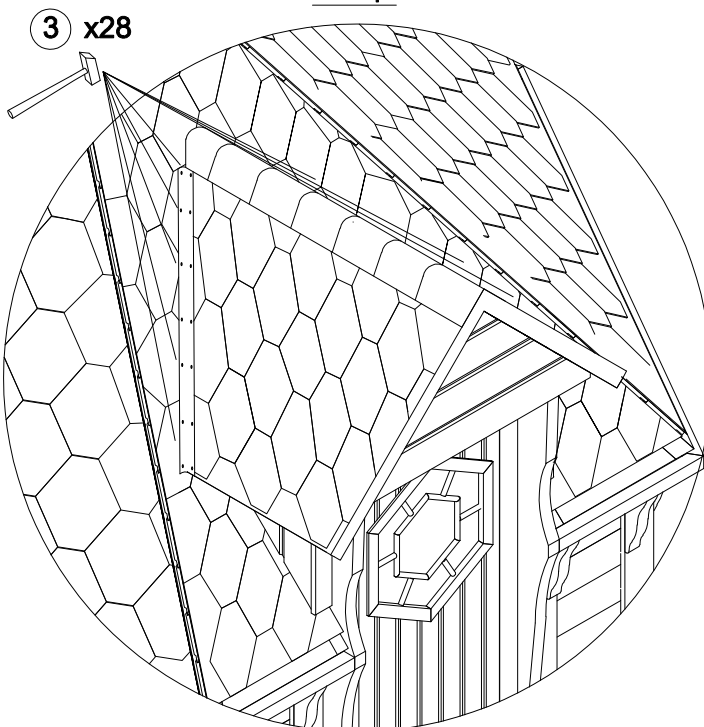


③ x64
T-V-2x20

1 Step

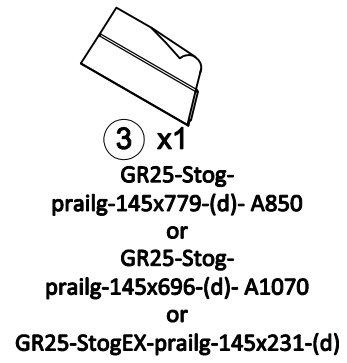
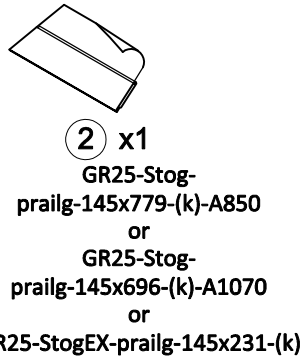
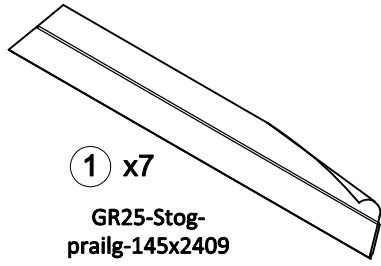


2 Step

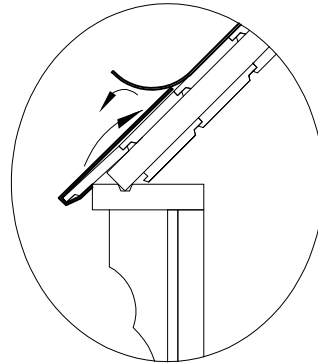
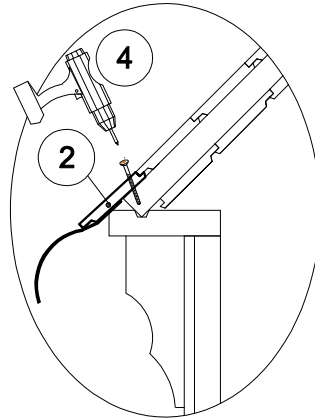
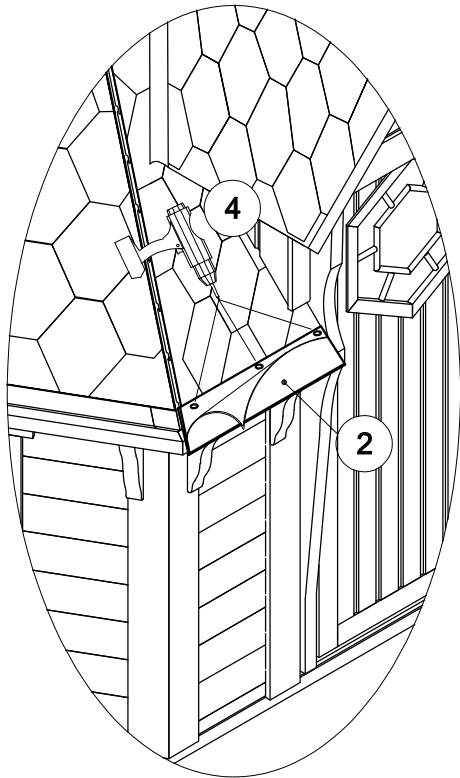


11. Grill / Camping Cabin 25

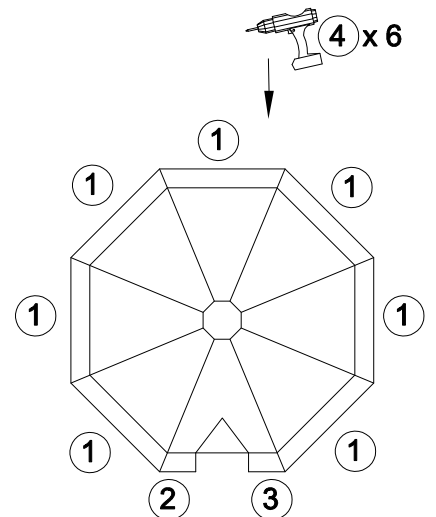
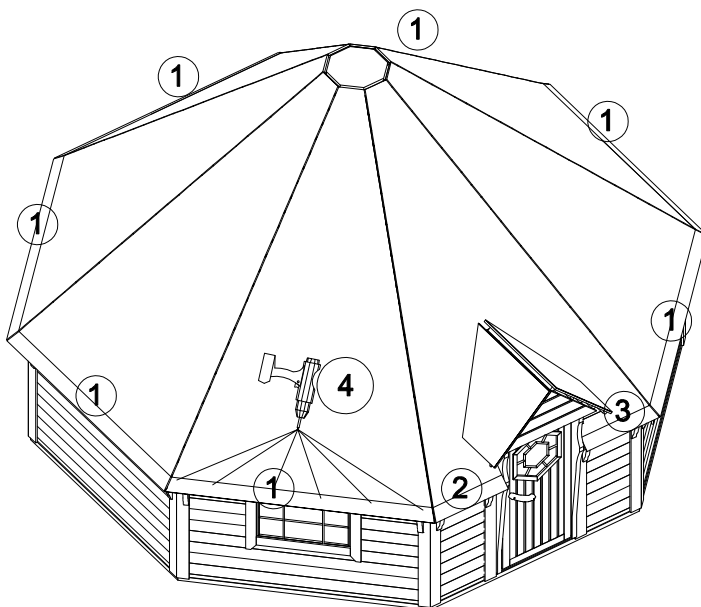
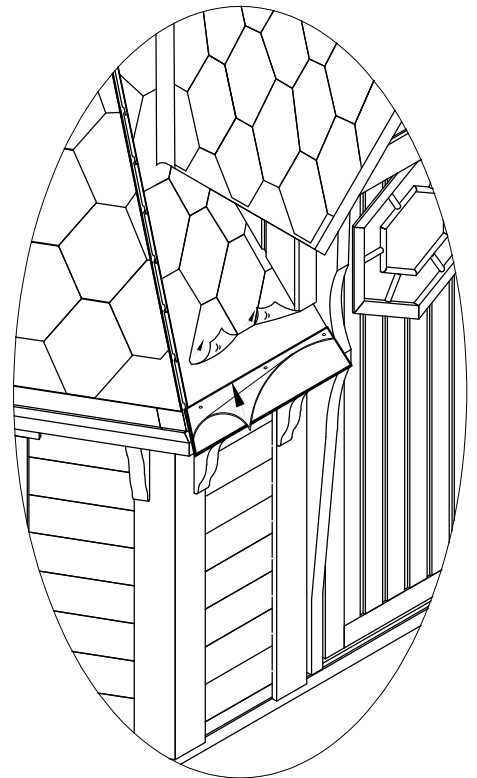
Roof finishing



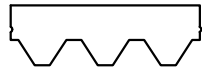
1 Step



2 Step

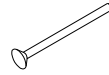


11.1 Grill / Camping Cabin 25 Roof finishing



① x24

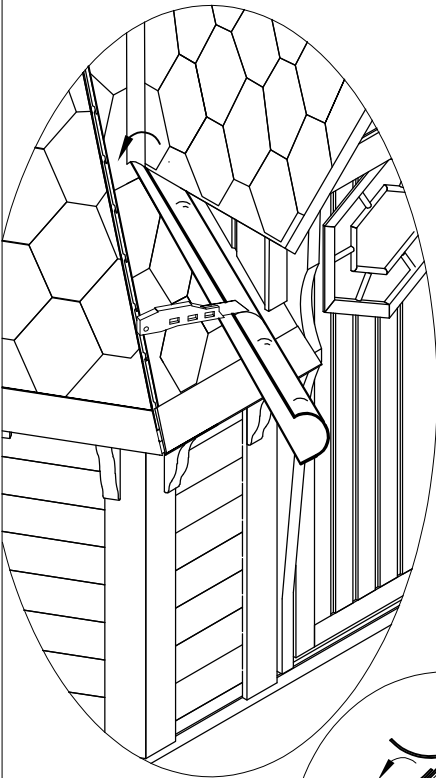
Bitumines-cerpes
-3x317x1000



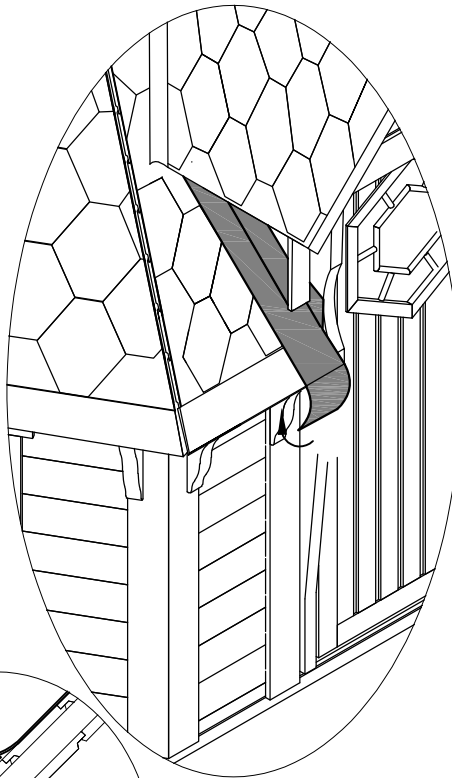
② x 150

T-V-2x20

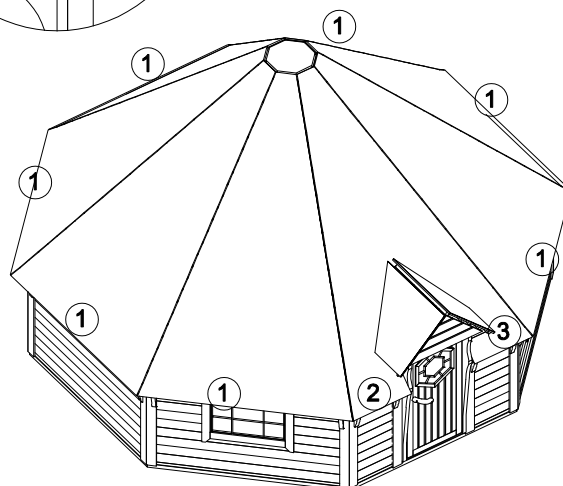
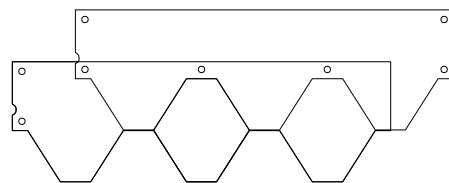
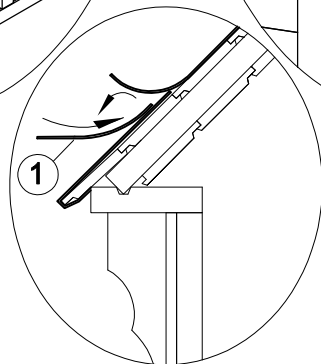
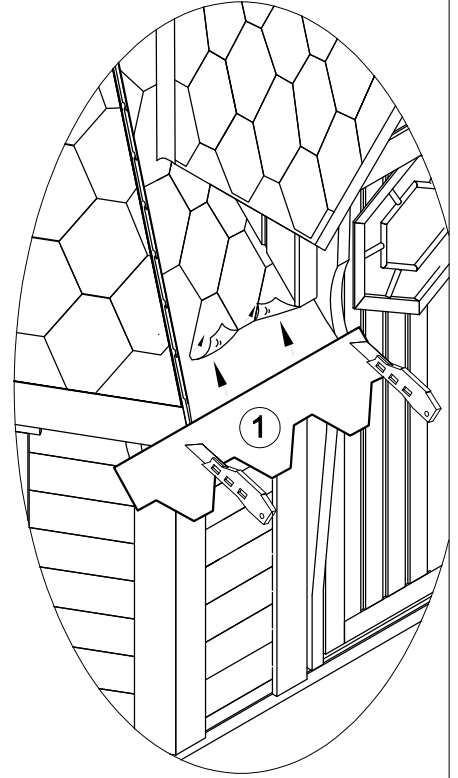
1 Step



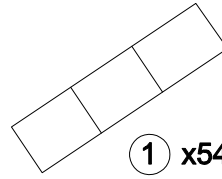
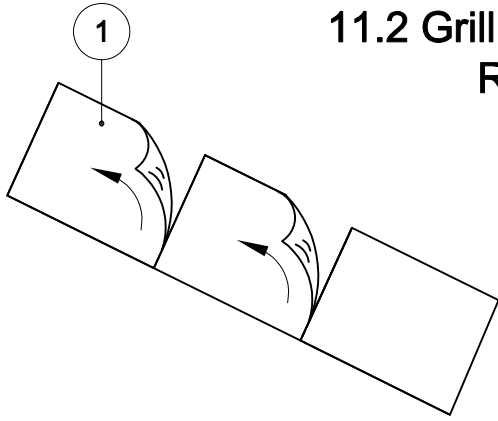
2 Step



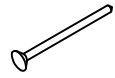
3 Step



11.2 Grill / Camping Cabin 25 Roof finishing

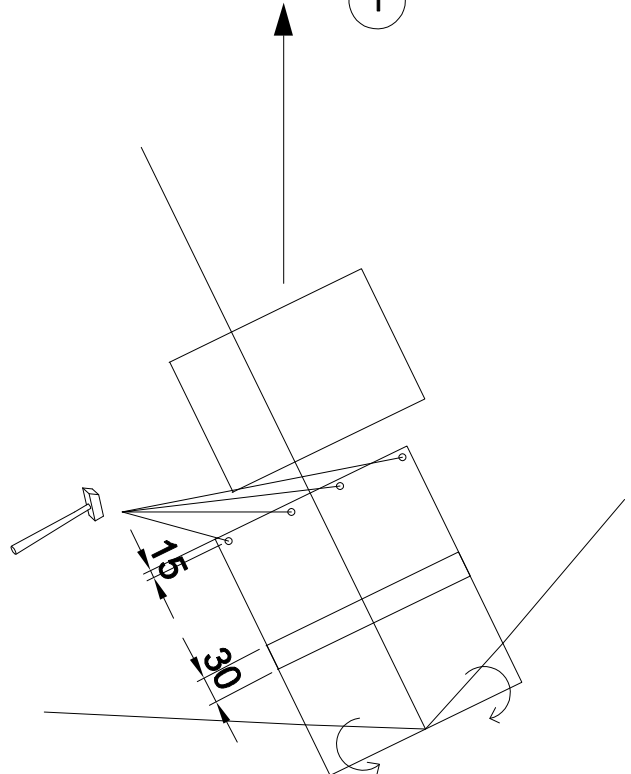
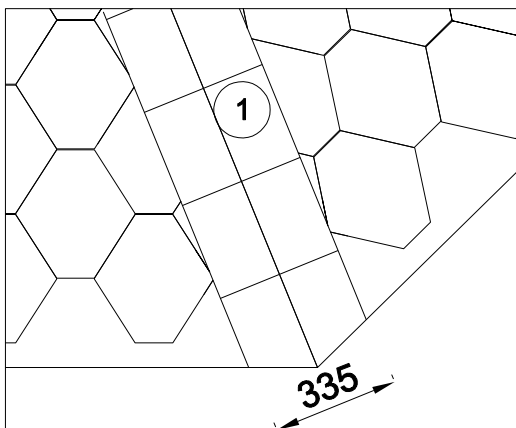
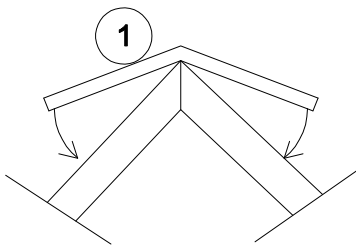
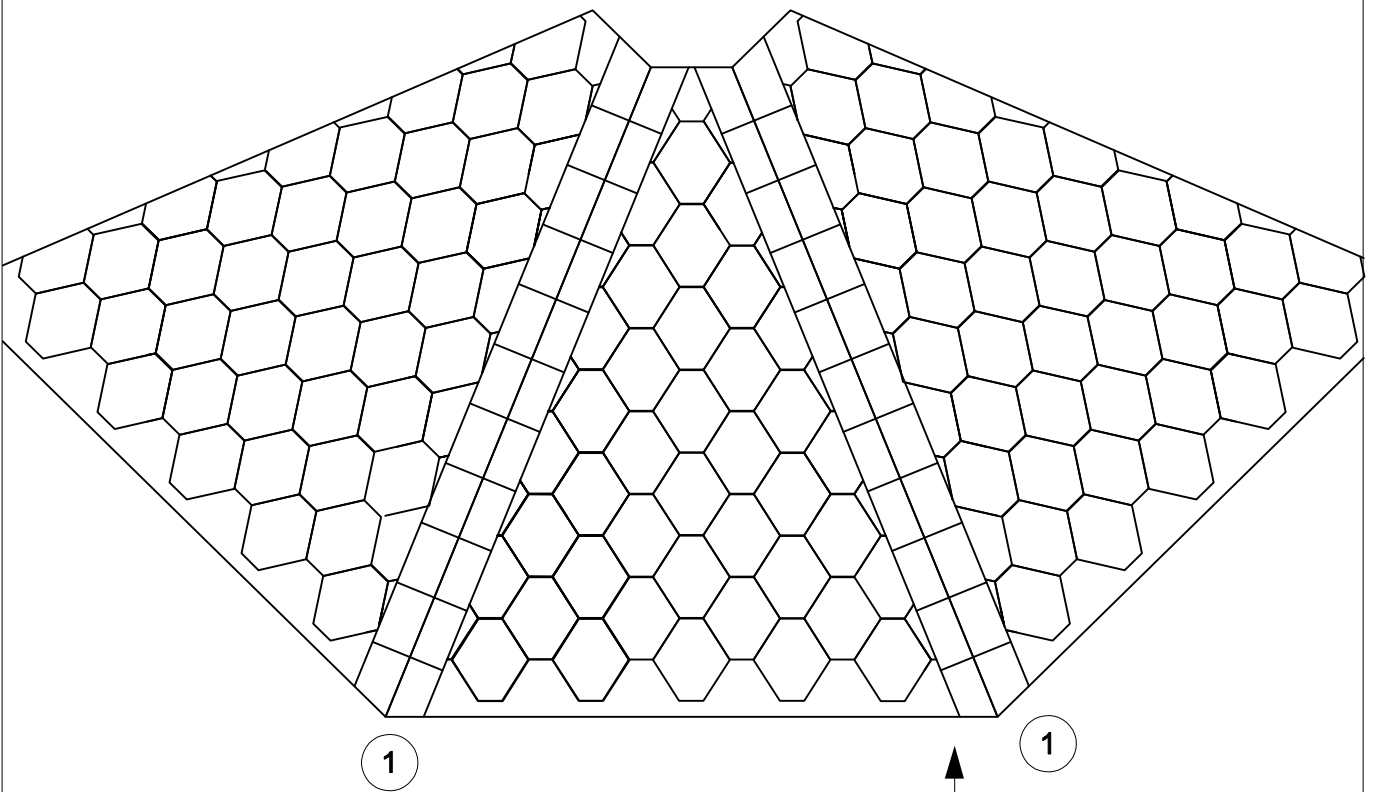


Bitumines-
cerpes-3x250x1000



2 x 648

T-V-2x20

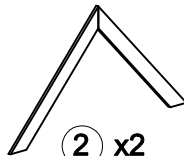


12. Grill / camping cabin 25 Outside finishing board



① x2

M-18x95x820-CNC
or
M-18x95x981-CNC



② x2

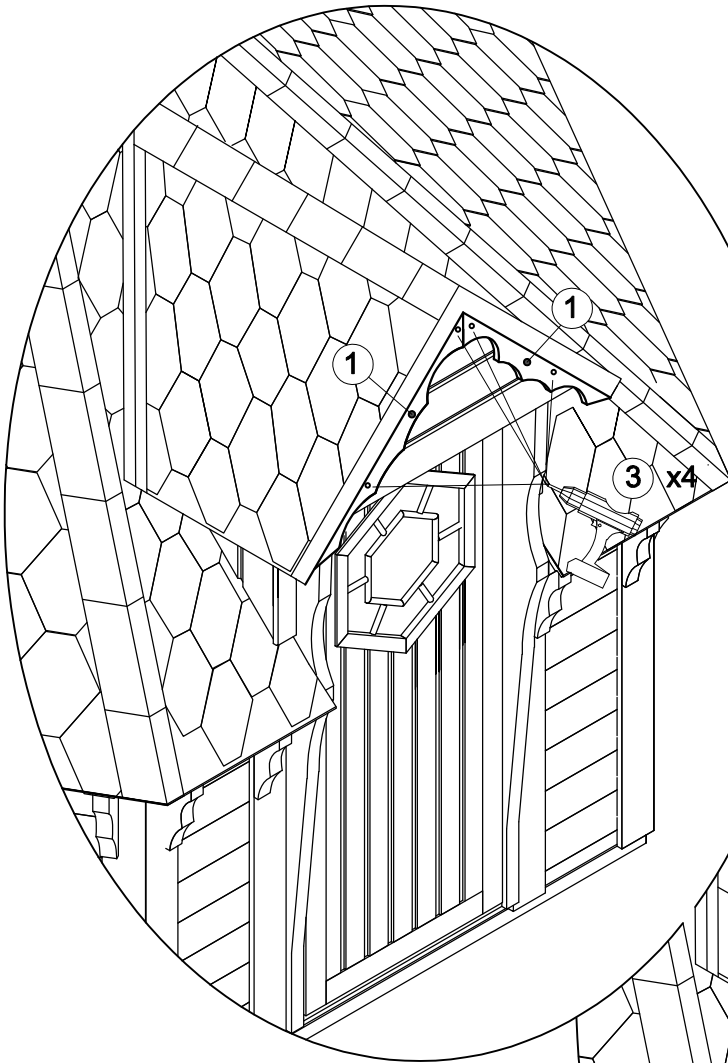
M-18x95x1050-F
or
M-18x95x1211-F



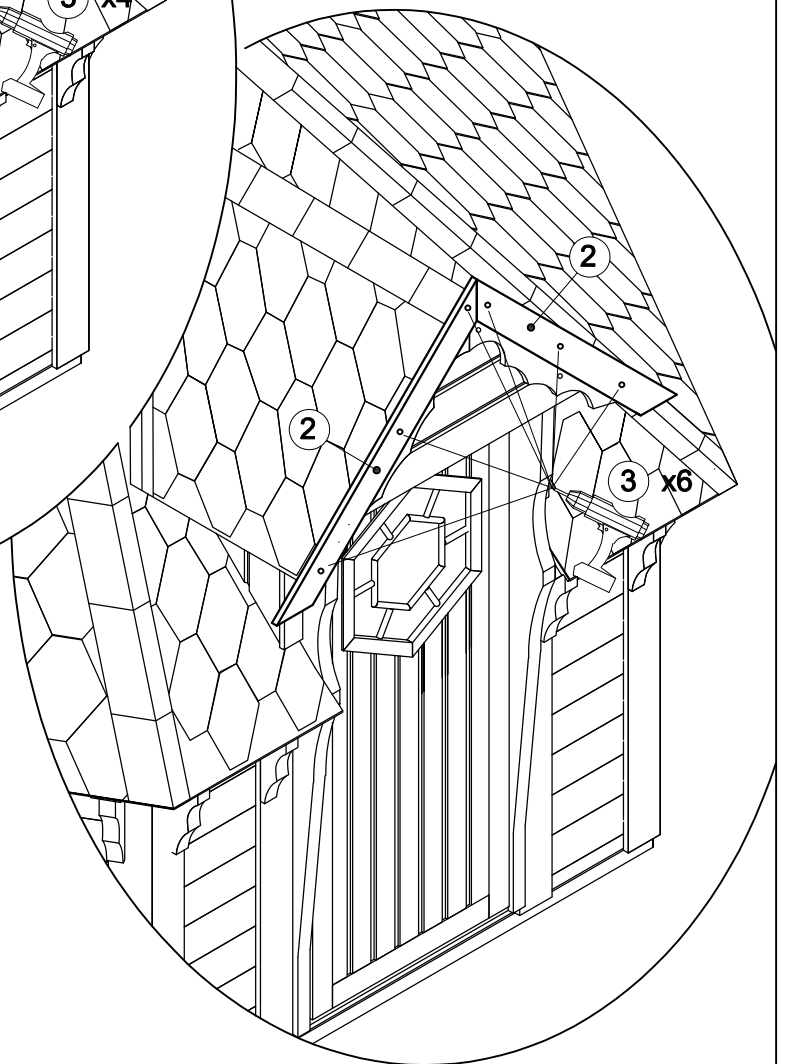
③ x10

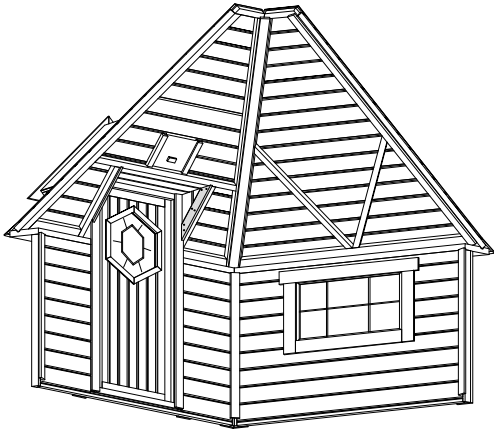
T-GC-3.5x45

1 Step

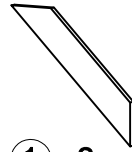


2 Step



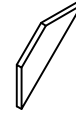


13. Grill / Camping Cabin 25 Inside finishing board



① x2
M-18x83x488-F

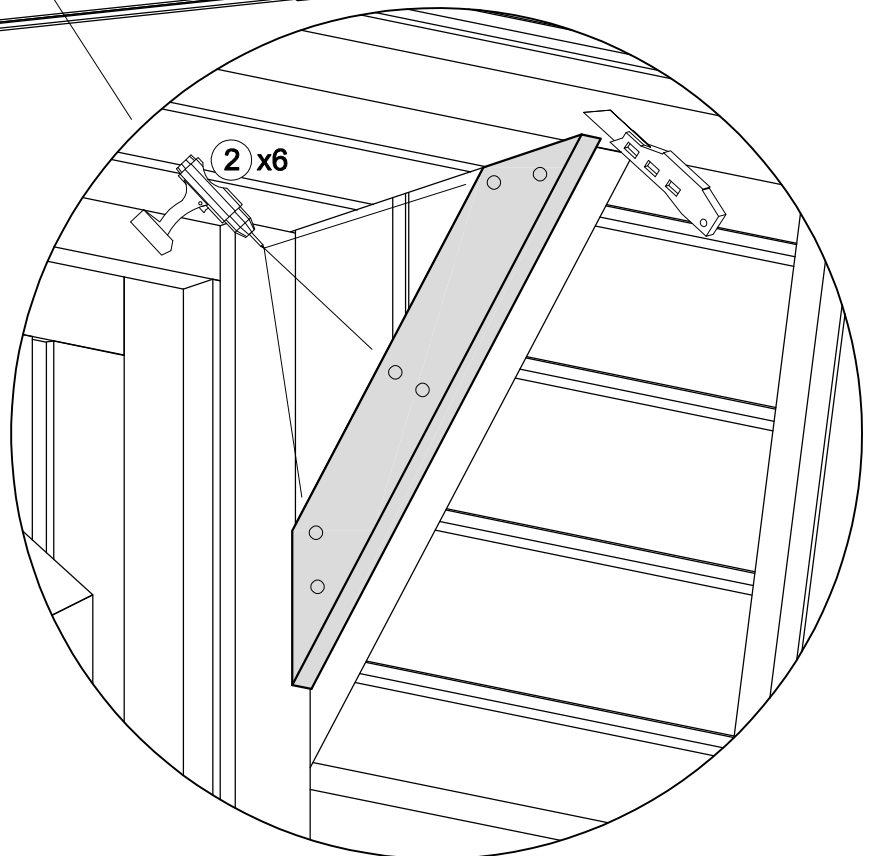
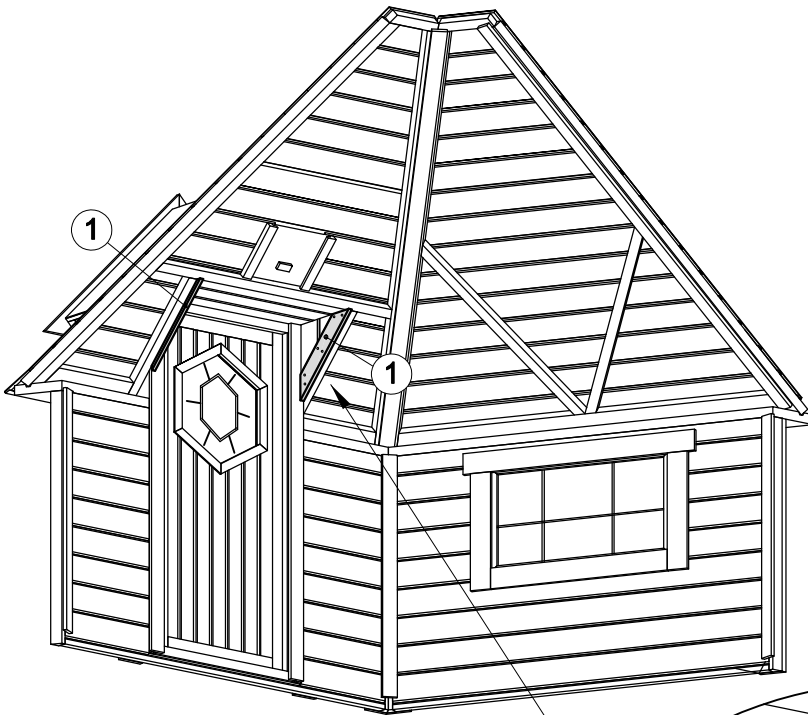
OR




① x2
M-18x95x318-F





② x12
T-GC-3.5x45

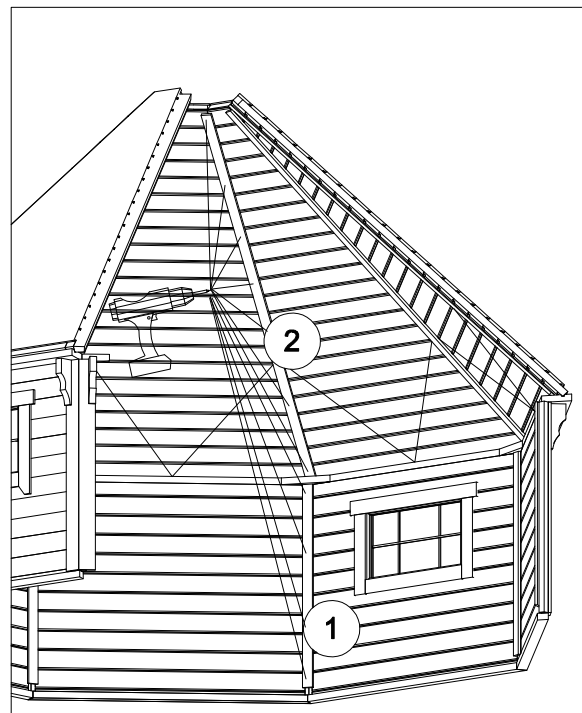
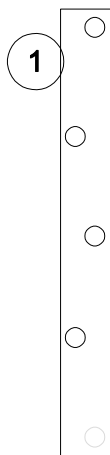
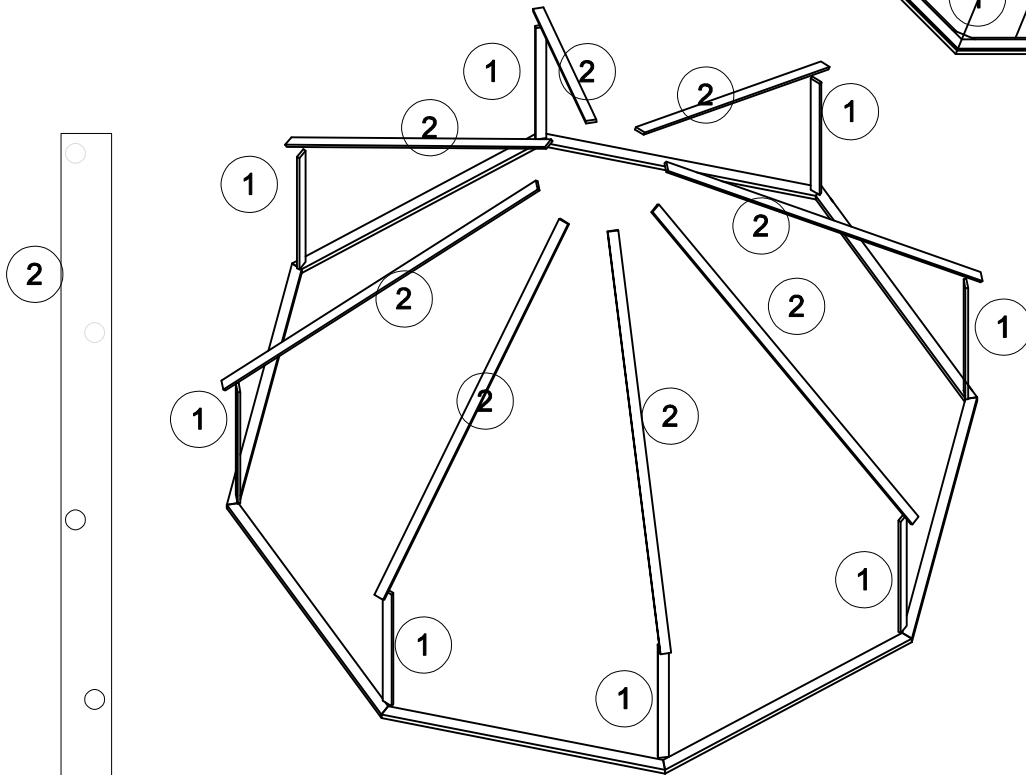
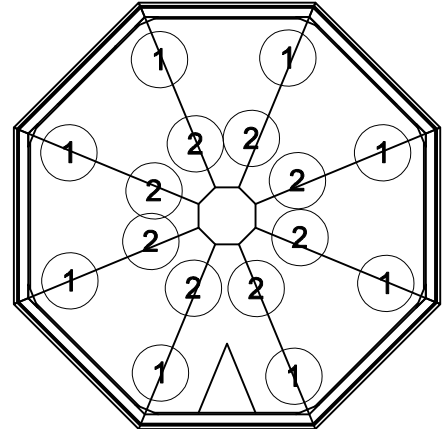


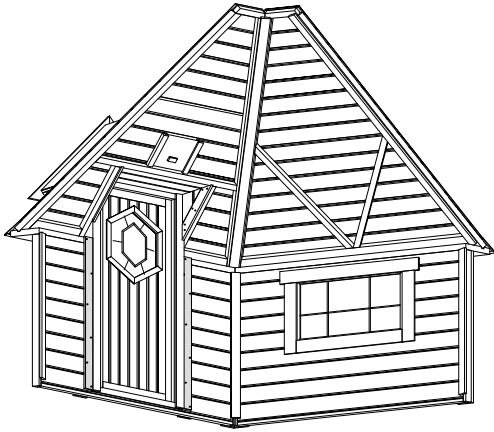
13.1 Grill / Camping Cabin 25 Inside finishing board


1 x8
 M-18x70x1105
 or
 M-18x70x1235
 or
 M-18x70x1365


2 x8
 M-18x70x3710


3 x150
 T-GC-3.5X45





13.2 Grill / Camping Cabin 25 Inside finishing board



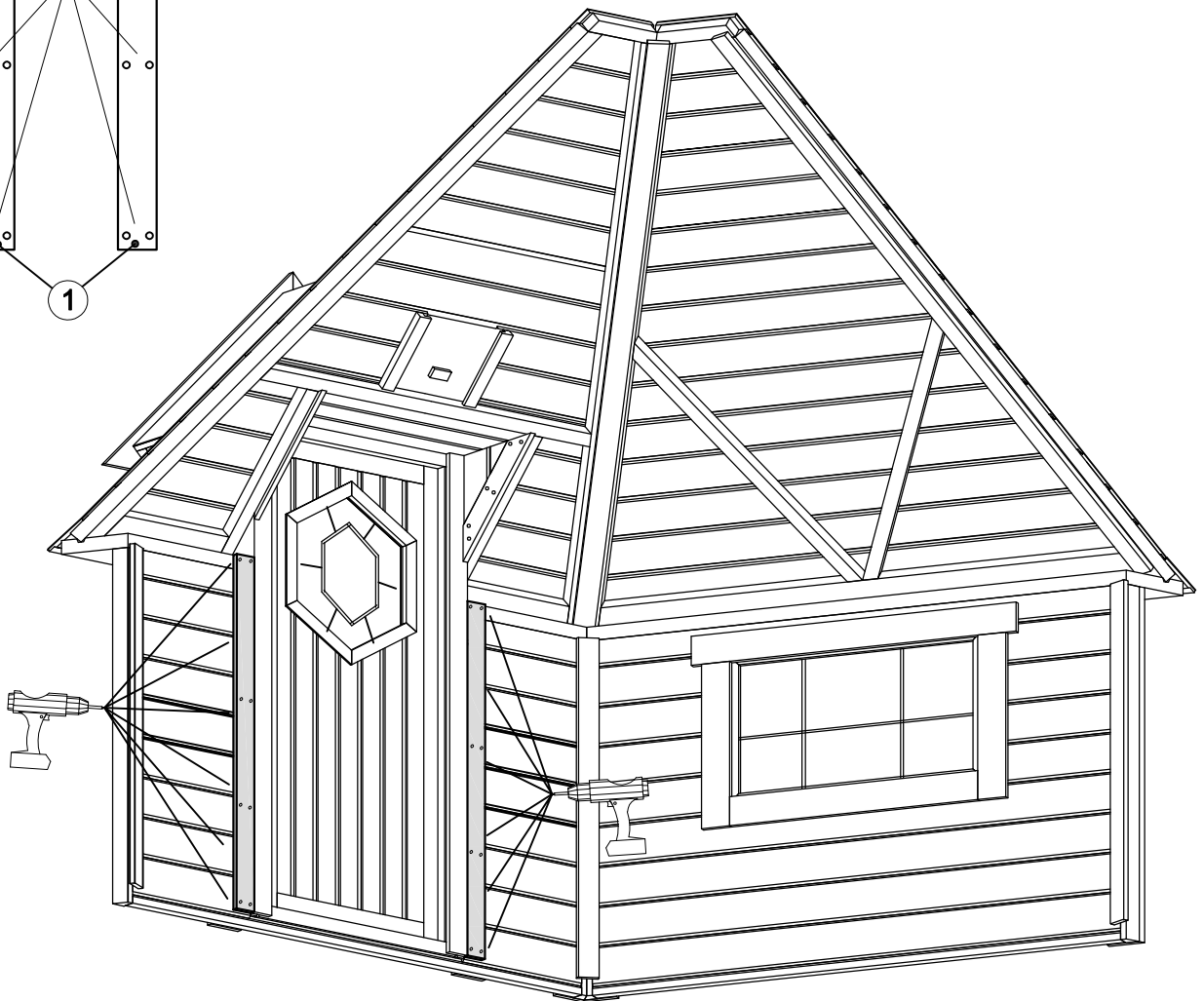
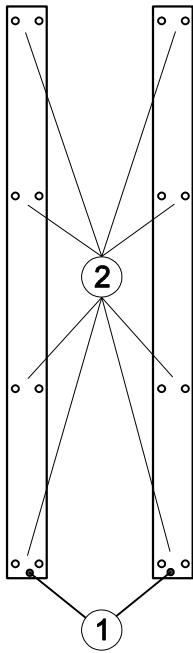
① x2

M-18x70x1150
or
M-18x70x1280
or
M-18x70x1410

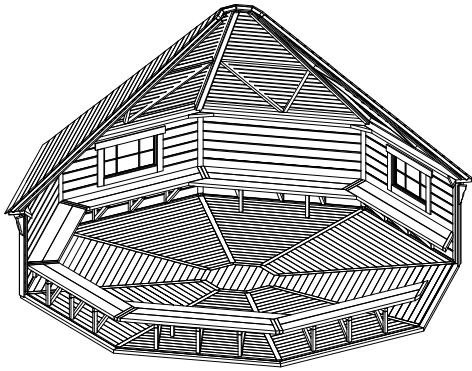


② x16

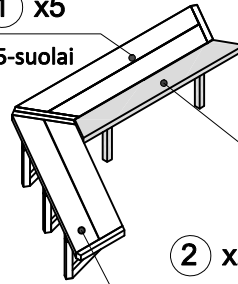
T-GC-3.5x45



14. Grill / Camping Cabin 25 Assembly of benches



① x5
GR25-suolai



③ x2
GR25-suolu-
praplatinimas

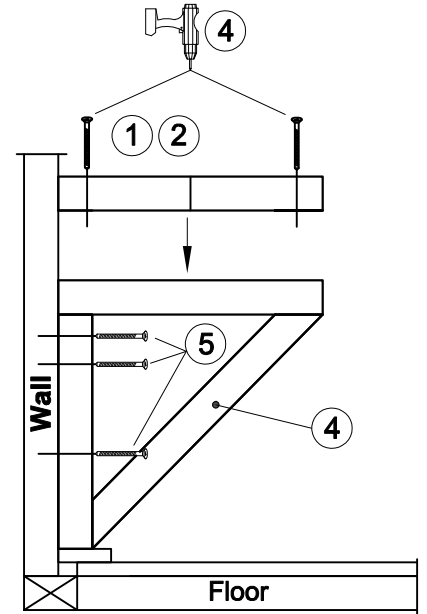
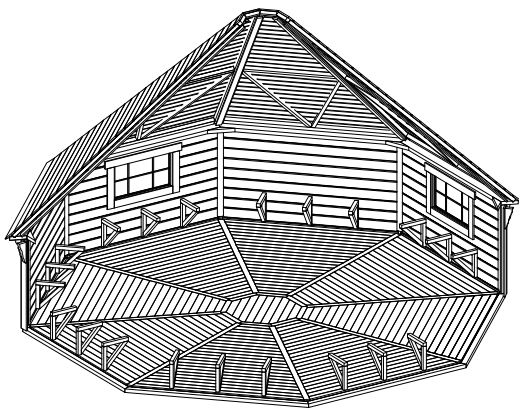
② x2
GR25-suolai-prailginimas

④ x21
GR-suolu-
kojos

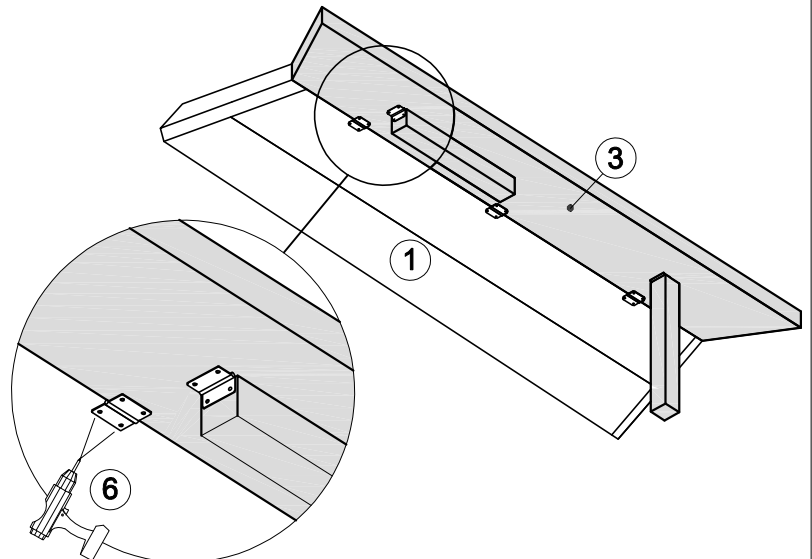
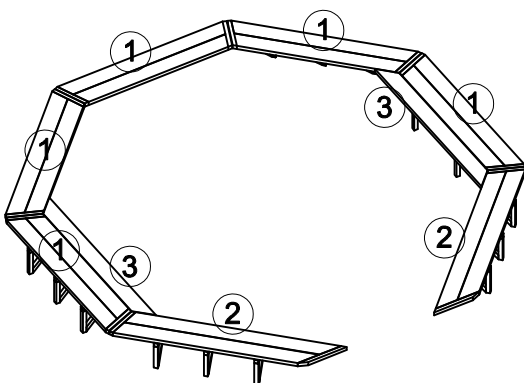
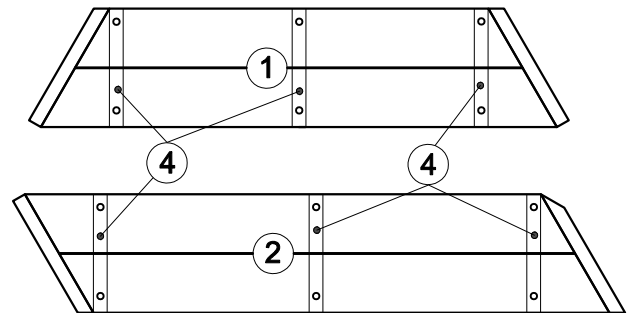
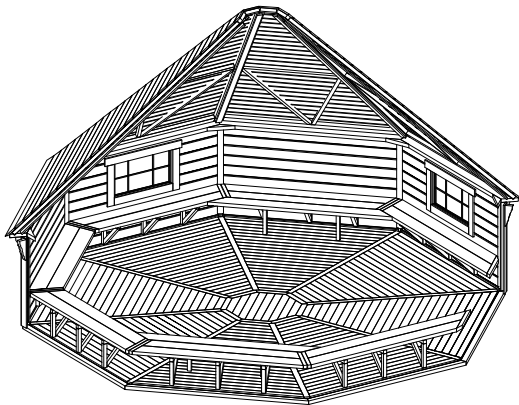
⑤ x105
T-GC-6x80

⑥ x14
T-GC-3x30

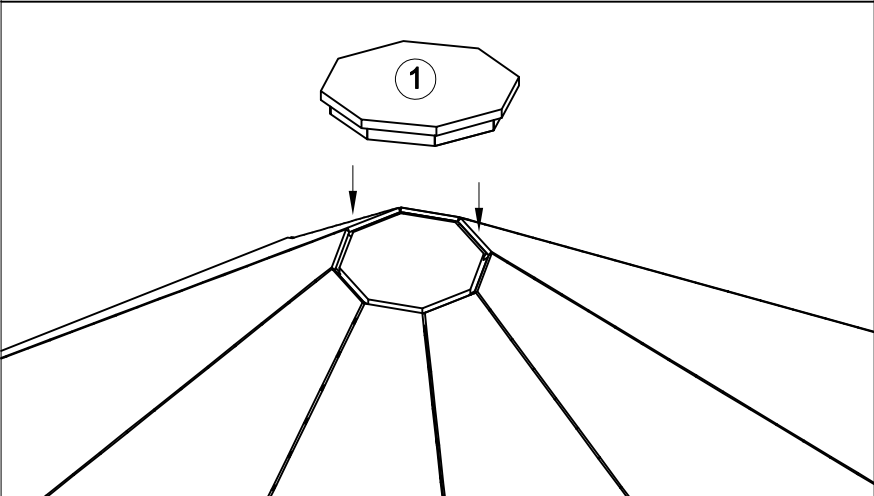
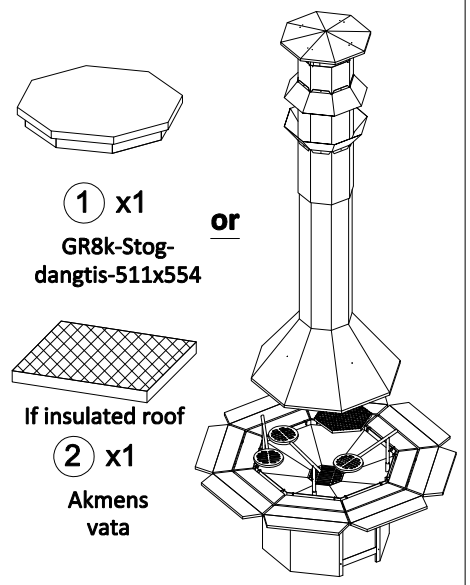
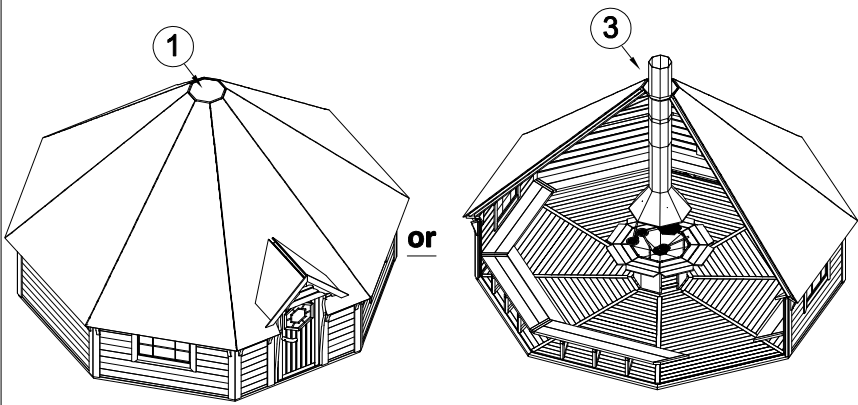
1 Step



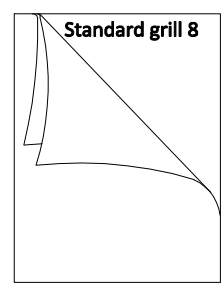
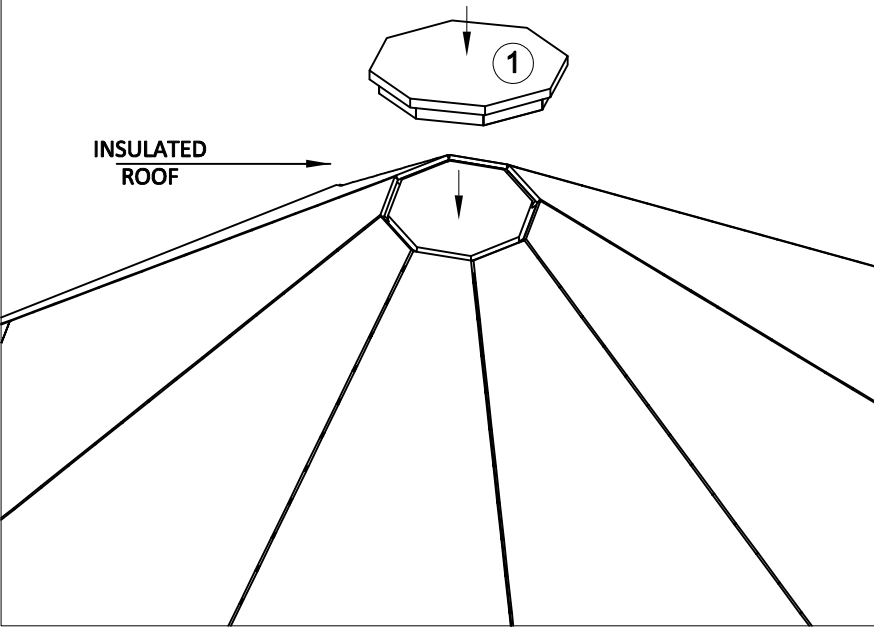
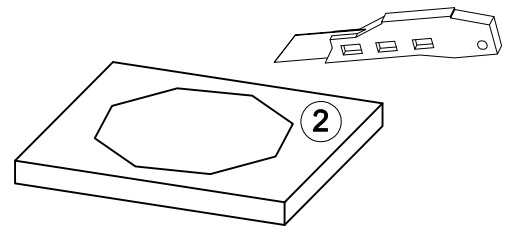
2 Step



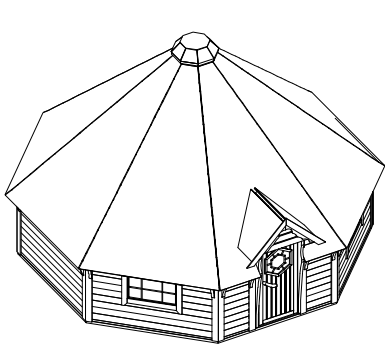
15. Grill / Camping Cabin 25



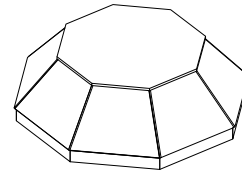
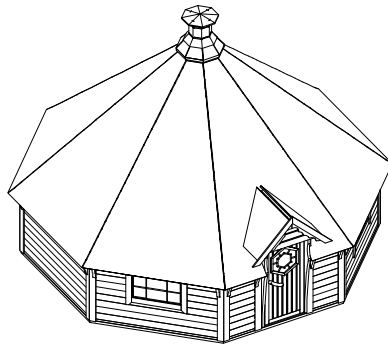
or



16. Grill / Camping Cabin 25 Roof hat



or

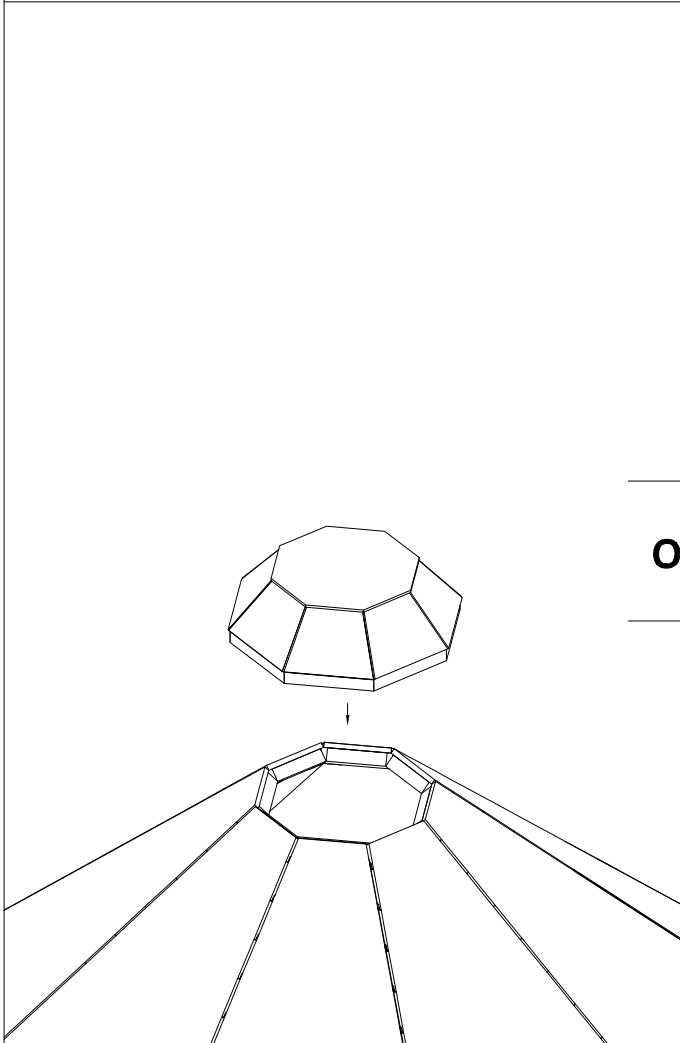


① x1

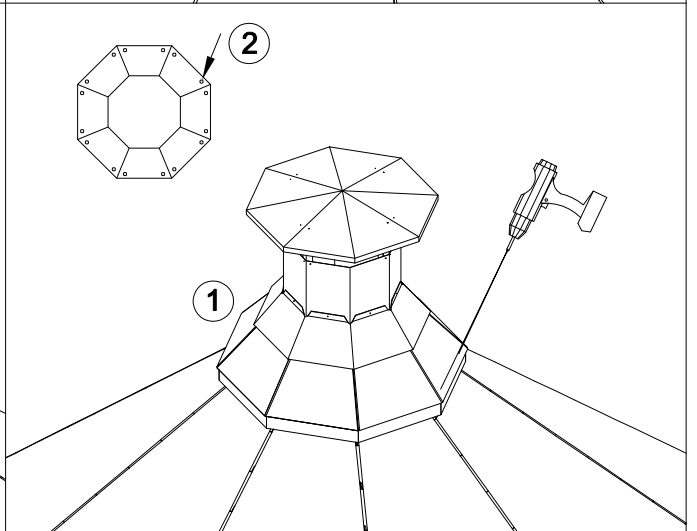
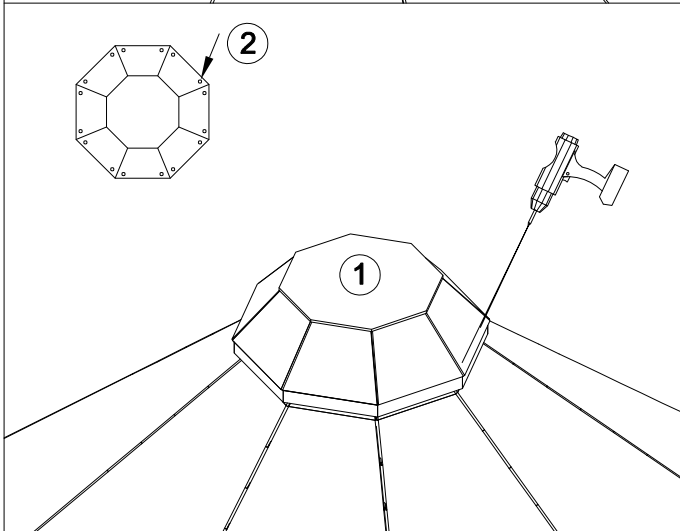
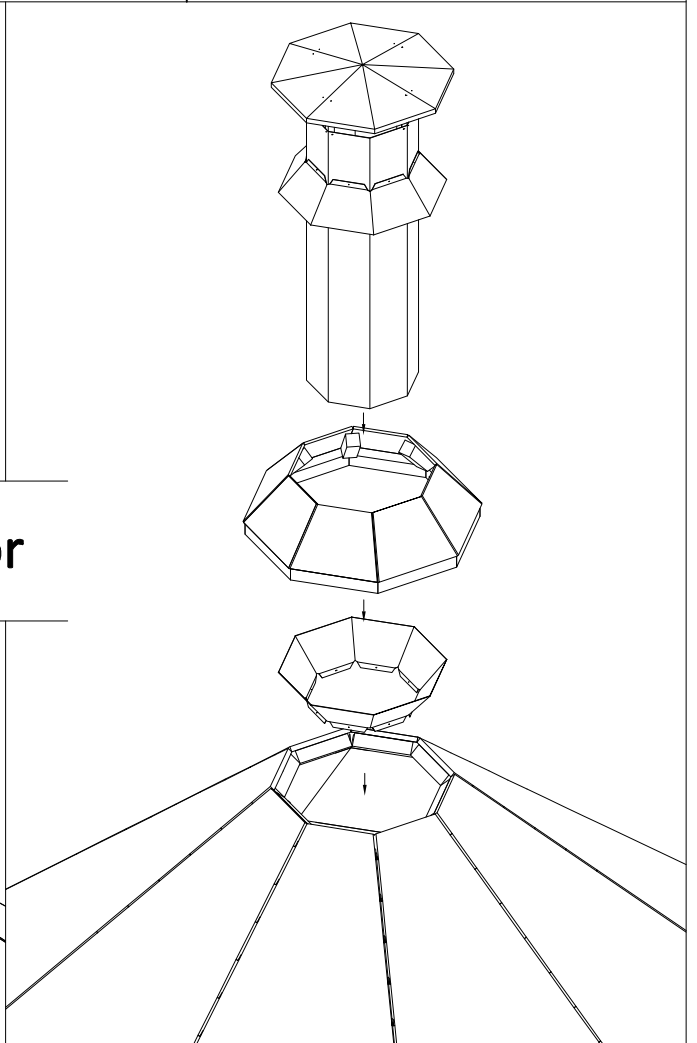
GR8k-Kepures-dangtis
or
GR8k-Kepure



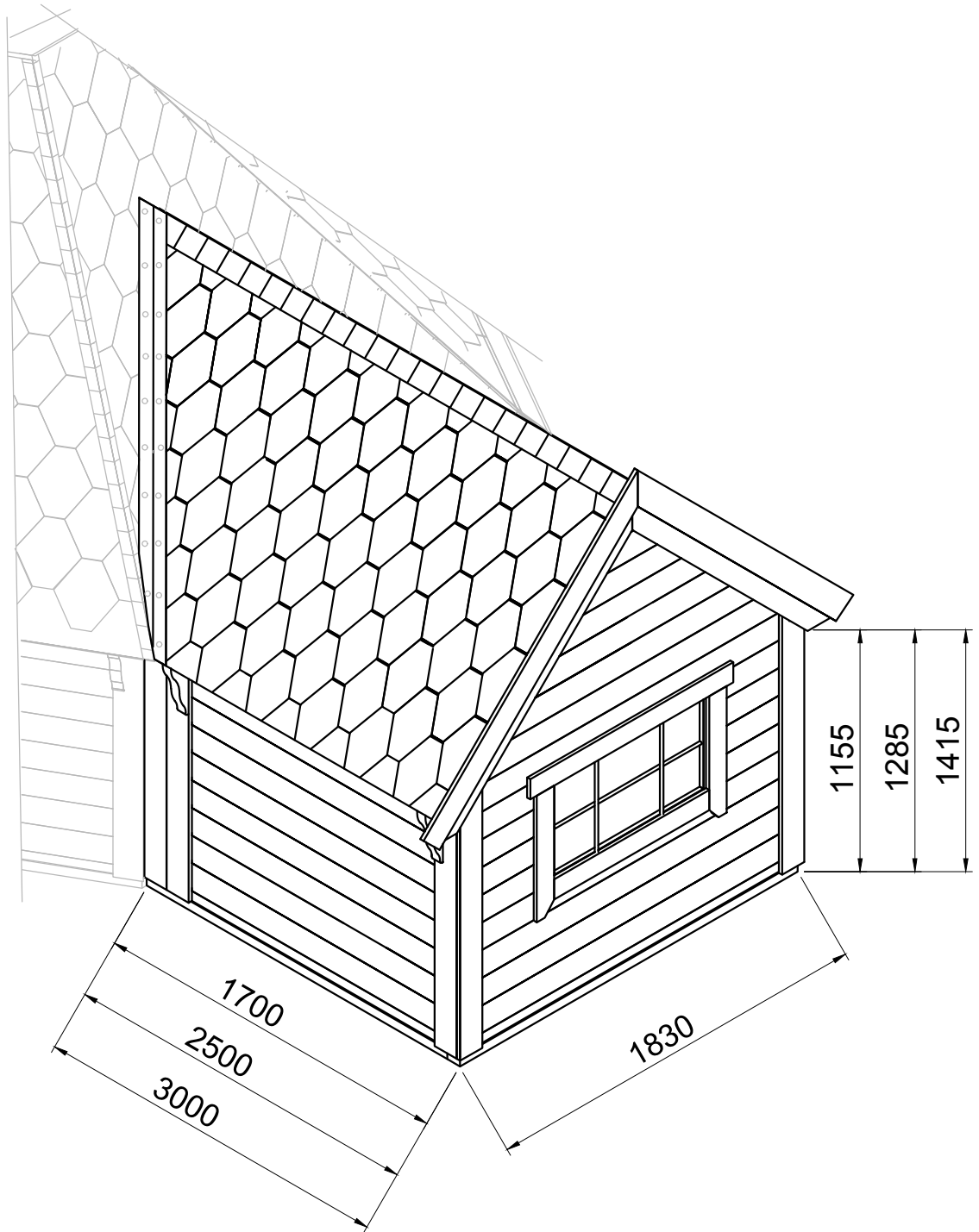
② x16
T-GC-4x70



or

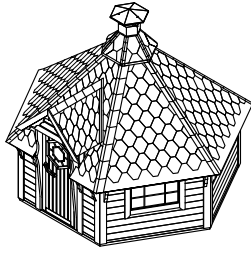


EXTENSION (3m²); (4.3m²); (5.2m²)

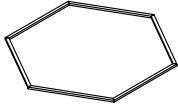


Stages of assembly

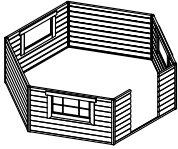
Grill



1. Step:
wood ring



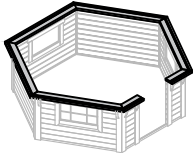
2. Step:
walls



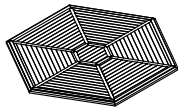
3. Step:
decoration (support)



4. Step:
roof support ring



5. Step:
floors



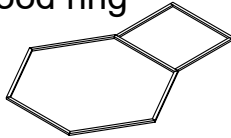
6. Step:
roof



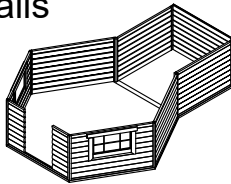
Grill+Extension



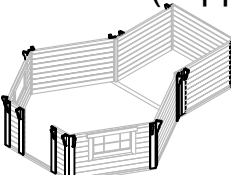
1. Step:
wood ring



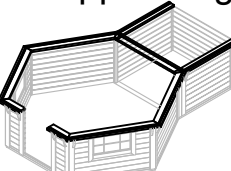
2. Step:
walls



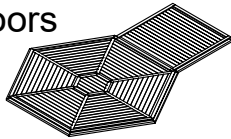
3. Step:
decoration (support)



4. Step:
roof support ring



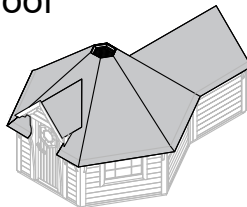
5. Step:
floors



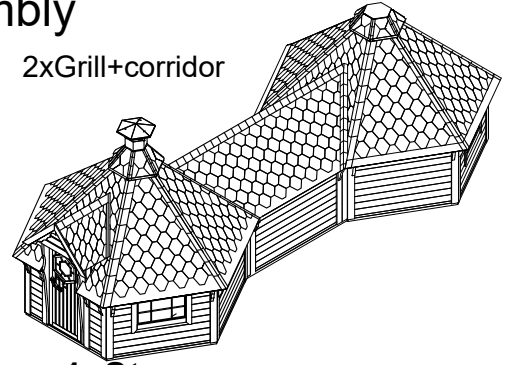
6. Step:
inside wall



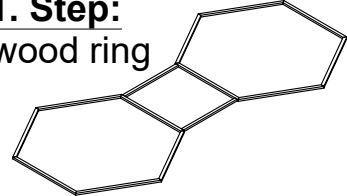
7. Step:
roof



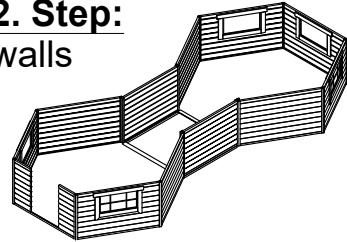
2xGrill+corridor



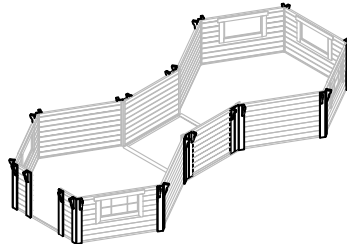
1. Step:
wood ring



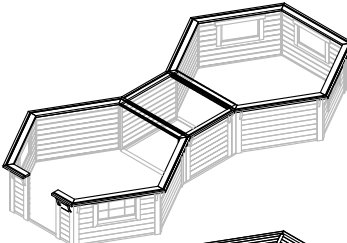
2. Step:
walls



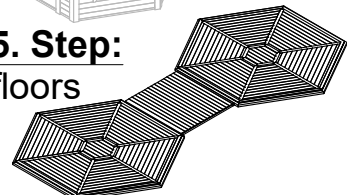
3. Step:
decoration (support)



4. Step:
roof support ring



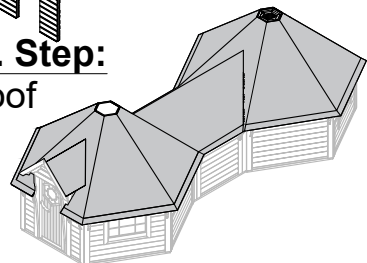
5. Step:
floors



6. Step:
inside wall



7. Step:
roof



Extension Foundation

It is very important to have a proper foundation.

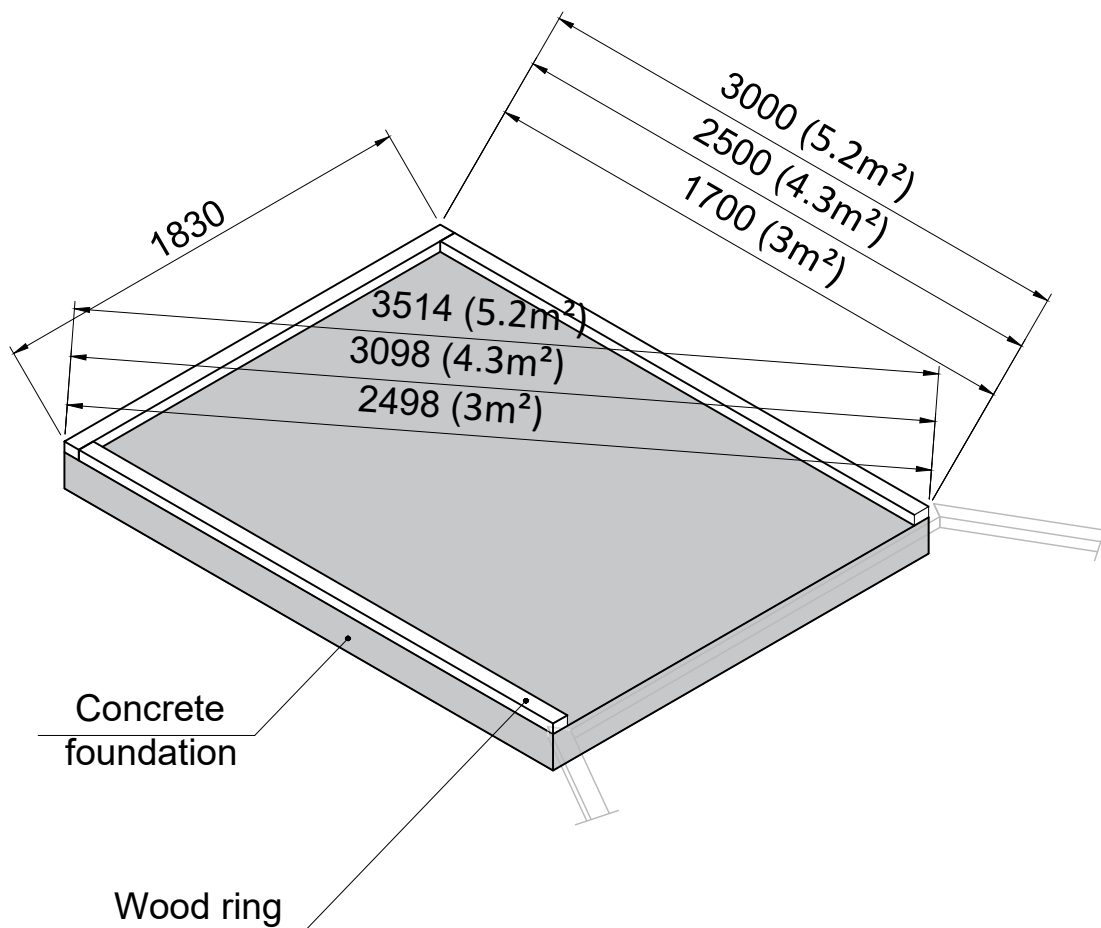
Therefore we recommend making the foundation according to the sketches here. First of all, foundation must be prepared according to the landscape and ground conditions.

The foundation under the product must be prepared specially, it must be homogeneous, tight and equal. It must be ensured that it will not change its properties. We recommend using concrete foundation. Before installation of product, we recommend to make hydro isolation of foundation.

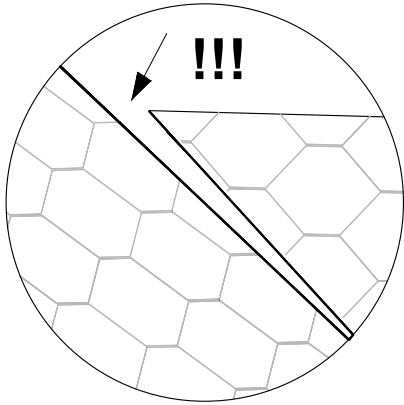
Consult a local qualified builder or an engineer to prepare a proper foundation, which fits to your location.

Due to improper foundation, cracks in the structures may occur. Due to uneven product seating, the geometric shape of the product may change, which can result in door / window twist, or/and gap may appear. And in the worst case product 's collapse.

If you do not follow recommendation, product will lose its warranty.

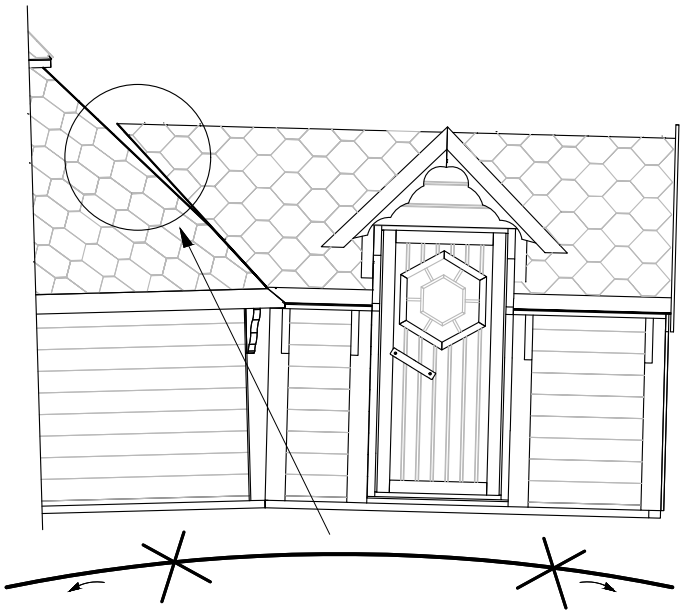


ATTENTION !!!

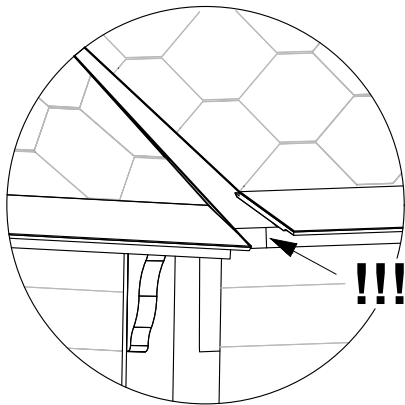


BAD
foundation →

GOOD
foundation →

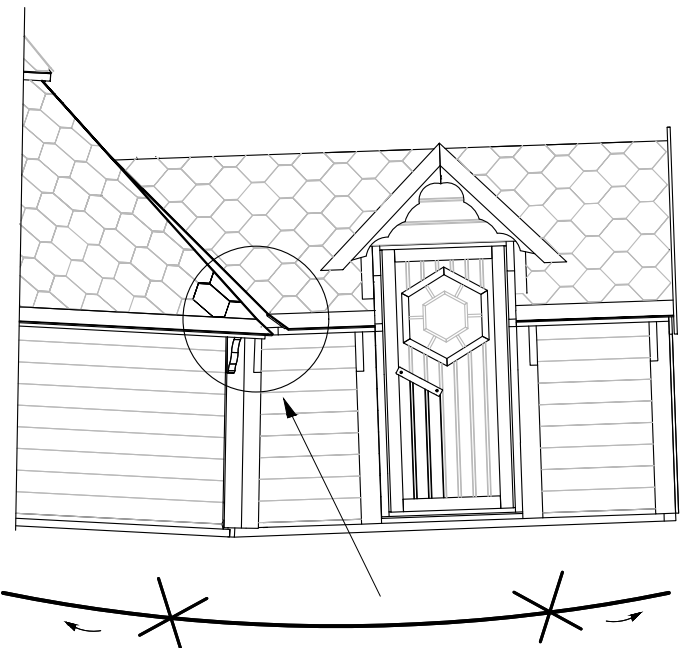


=180°



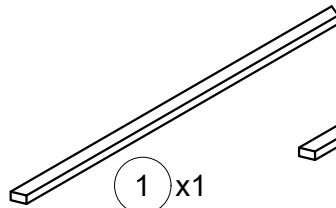
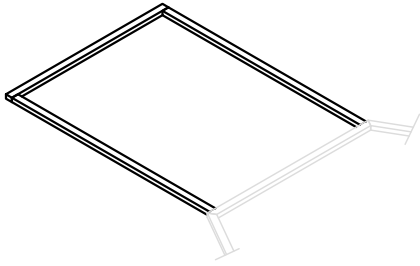
BAD
foundation →

GOOD
foundation →

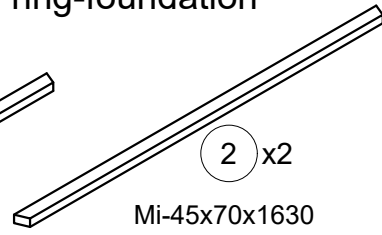


=180°

Extension Wood ring-foundation



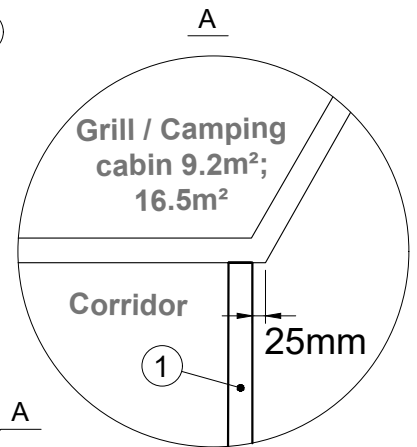
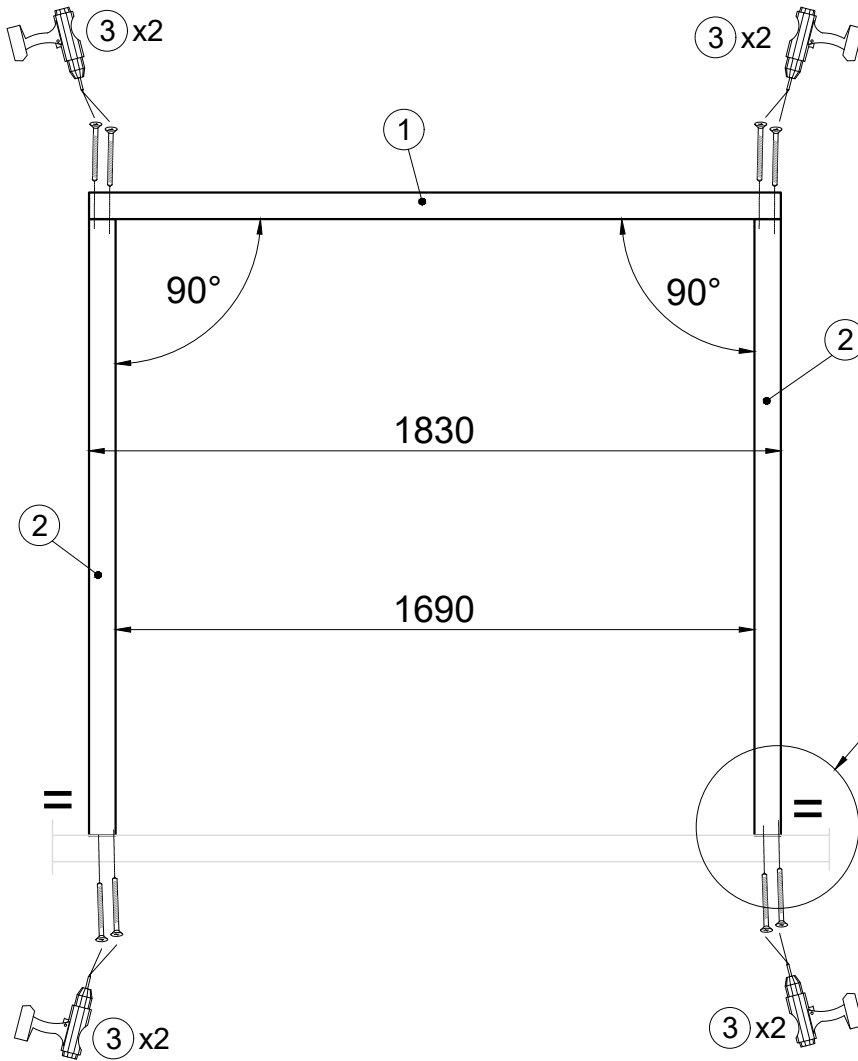
① x1
Mi-45x70x1830



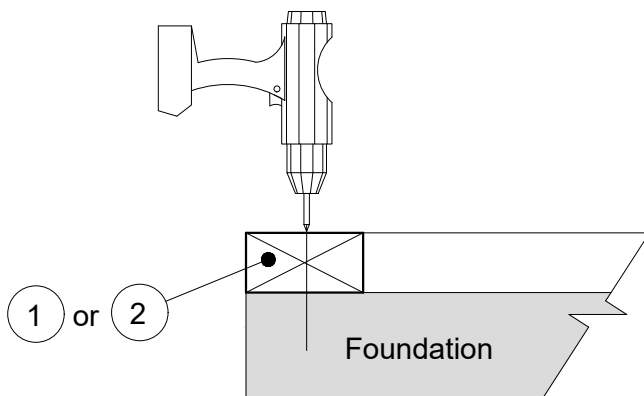
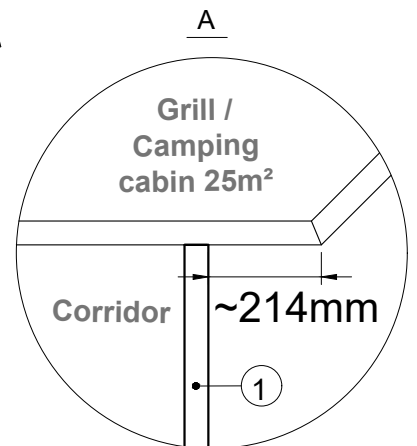
② x2
Mi-45x70x1630
or
Mi-45x70x2430
or
Mi-45x70x2930



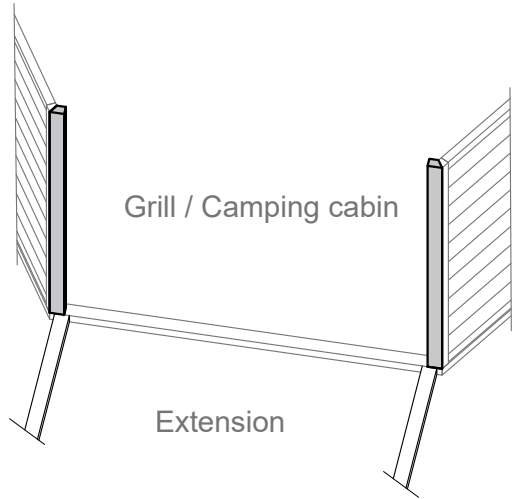
③ x8
T-GC-5x100



OR



1. Extension WALLS CONNECTION



① x2

M-45x70x1155-1x30F
or
M-45x70x1155-1x22.5F

M-45x70x1285-1x30F
or
M-45x70x1285-1x22.5F
or
M-45x70x1415-1x30F
or
M-45x70x1415-1x22.5F



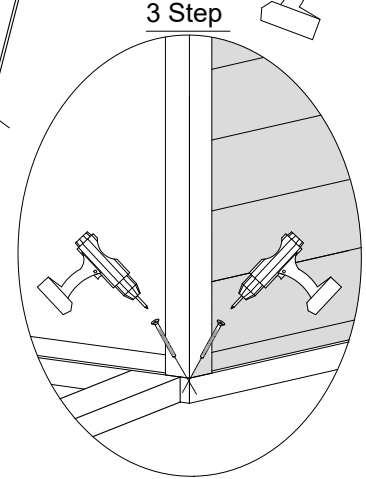
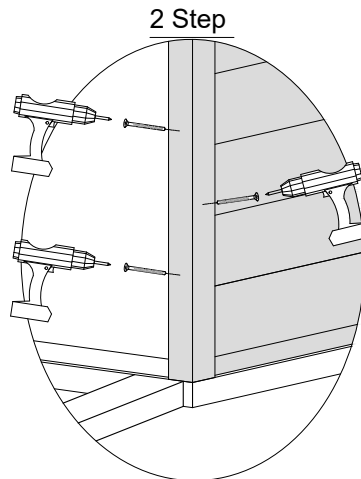
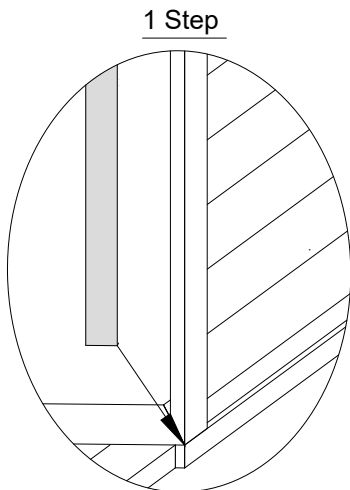
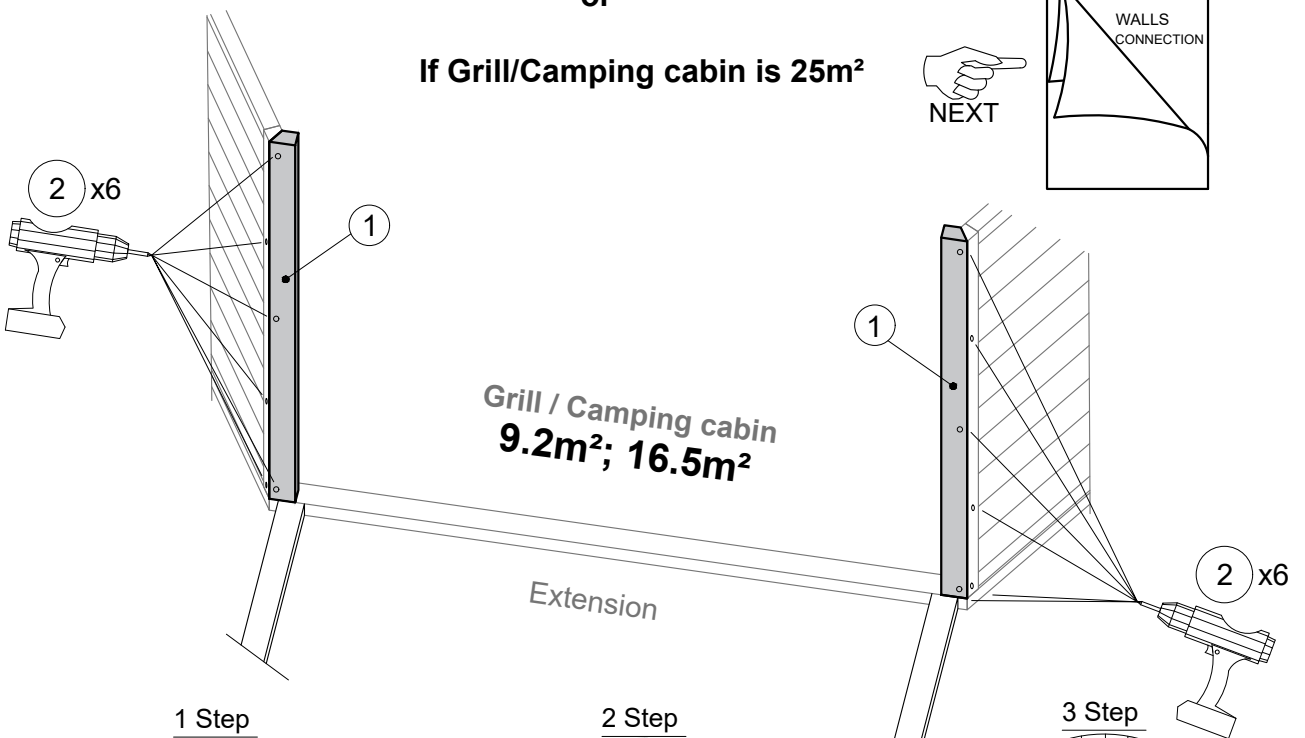
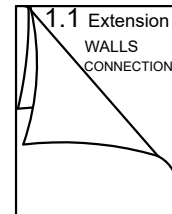
② x12

T-GC-5x100

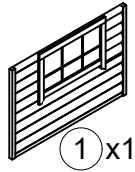
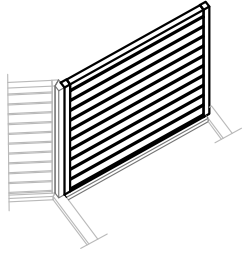
M-45x70x1155-1x30F
M-45x70x1285-1x30F - if Grill/Camping cabin is 9.2m²
M-45x70x1415-1x30F
 or
M-45x70x1155-1x22.5F
M-45x70x1285-1x22.5F - if Grill/Camping cabin is 16.5m²
M-45x70x1415-1x22.5F

or

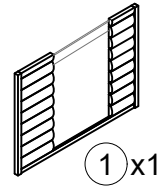
If Grill/Camping cabin is 25m²



1.1 Extension WALLS CONNECTION

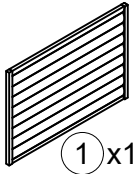


or

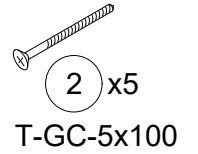
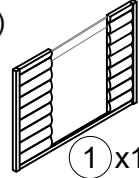


GR-EX-SSL-1155x1655(2455;2955)
or
GR-EX-SSL-1285x1655(2455;2955)
or
GR-EX-SSL-1415x1655(2455;2955)

GR-EX-SSD-1285x1655(2455;2955)-A1070-(k)
or
GR-EX-SSD-1415x1655(2455;2955)-A1070-(k)



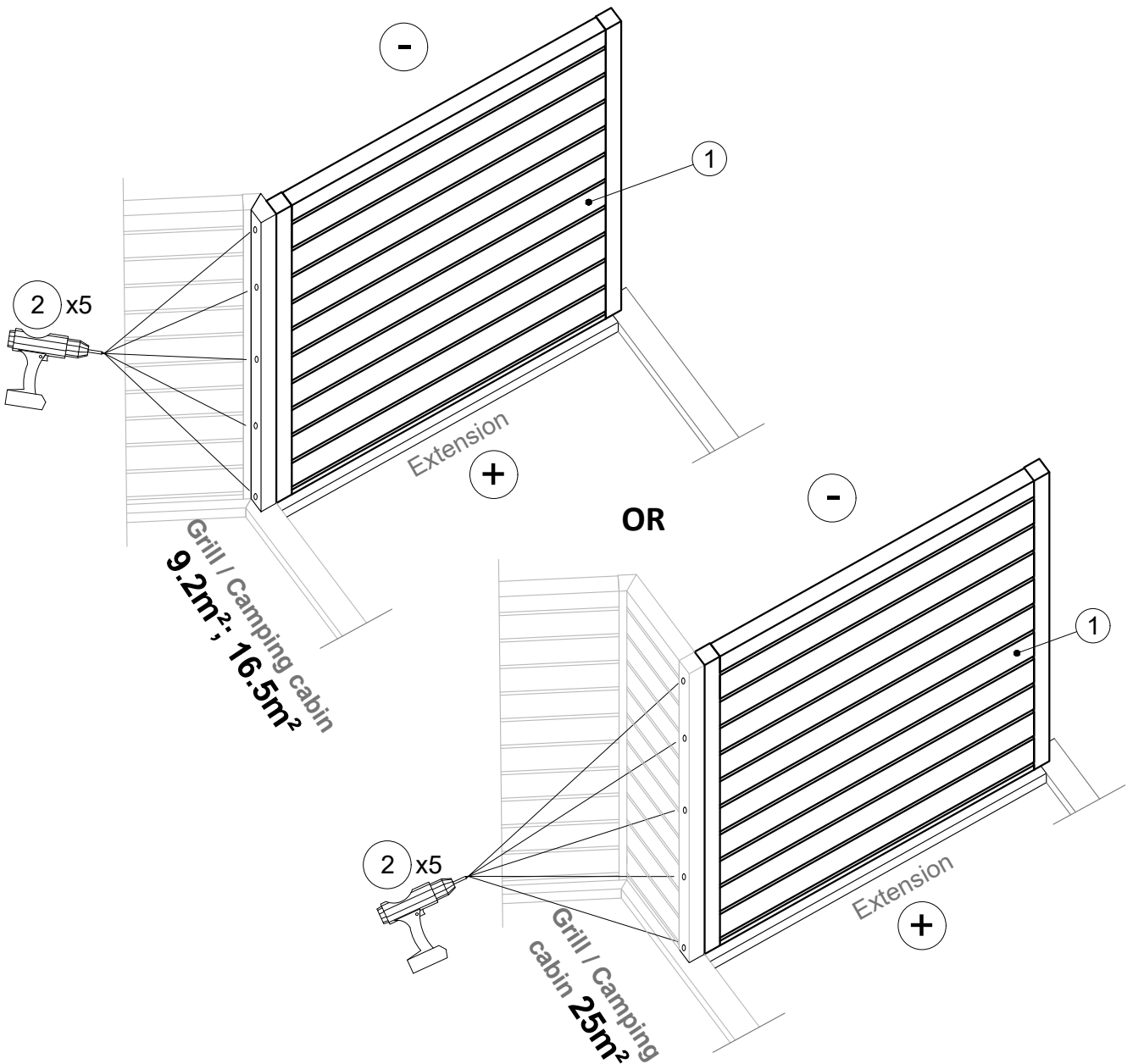
or



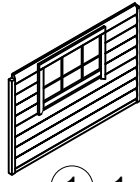
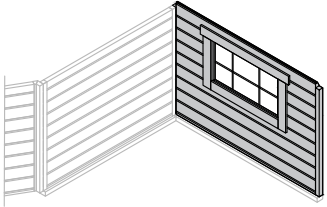
GR-EX-SS-1155x1655(2455;2955)
or
GR-EX-SS-1285x1655(2455;2955)
or
GR-EX-SS-1415x1655(2455;2955)

GR-EX-SSD-1155x1655(2455;2955)-A850-(k)
or
GR-EX-SSD-1285x1655(2455;2955)-A850-(k)
or
GR-EX-SSD-1415x1655(2455;2955)-A850-(k)

T-GC-5x100

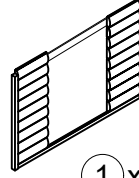


1.2 Extension WALLS CONNECTION

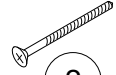


① x1

or



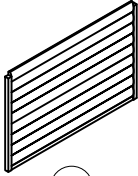
① x1



② x7

T-GC-5x100

or



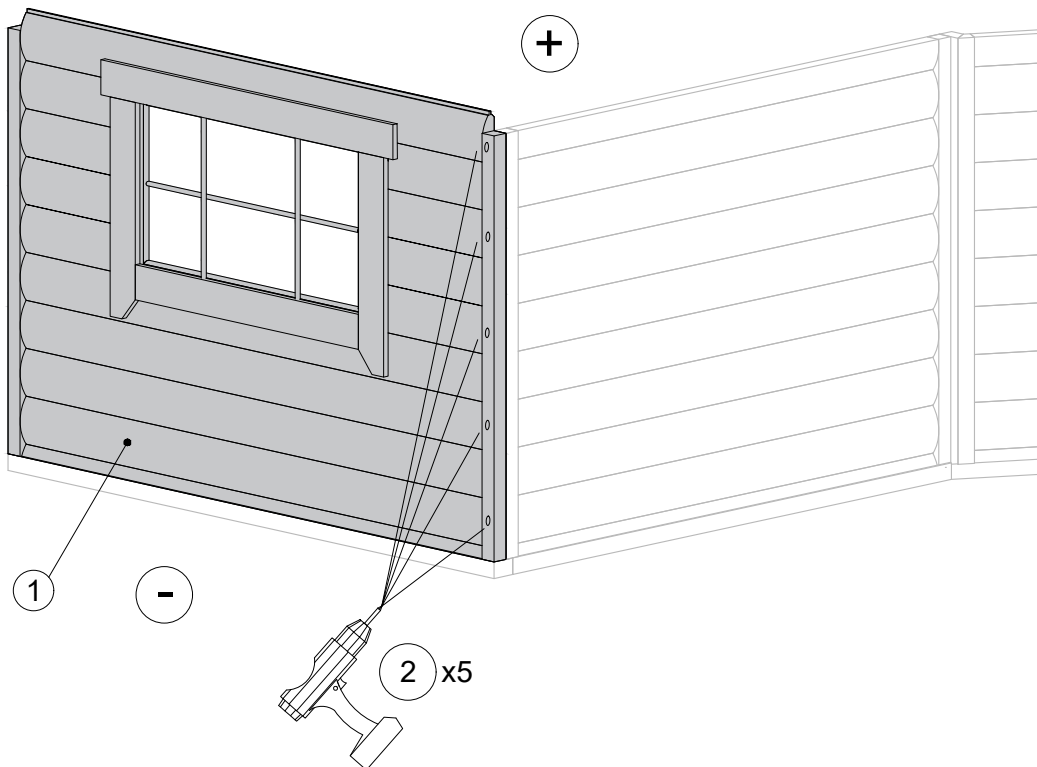
① x1

GR-EX-GS-1210x1830
or
GR-EX-GS-1340x1830
or
GR-EX-GS-1470x1830

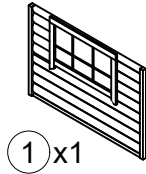
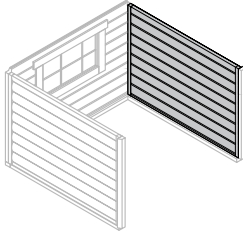
GR-EX-GSL-1210x1830
or
GR-EX-GSL-1340x1830
or
GR-EX-GSL-1470x1830

or

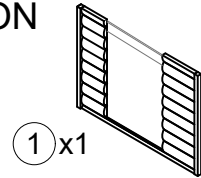
GR-EX-GSD-1210x1830-A796
or
GR-EX-GSD-1340x1830-A796
or
GR-EX-GSD-1340x1830-A1010
or
GR-EX-GSD-1470x1830-A796
or
GR-EX-GSD-1470x1830-A1010



1.3 Extension WALLS CONNECTION

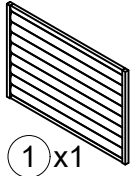


or

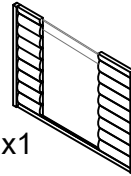


GR-EX-SSL-1155x1655(2455;2955)
or
GR-EX-SSL-1285x1655(2455;2955)
or
GR-EX-SSL-1415x1655(2455;2955)

GR-EX-SSD-1285x1655(2455;2955)-A1070-(d)
or
GR-EX-SSD-1415x1655(2455;2955)-A1070-(d)

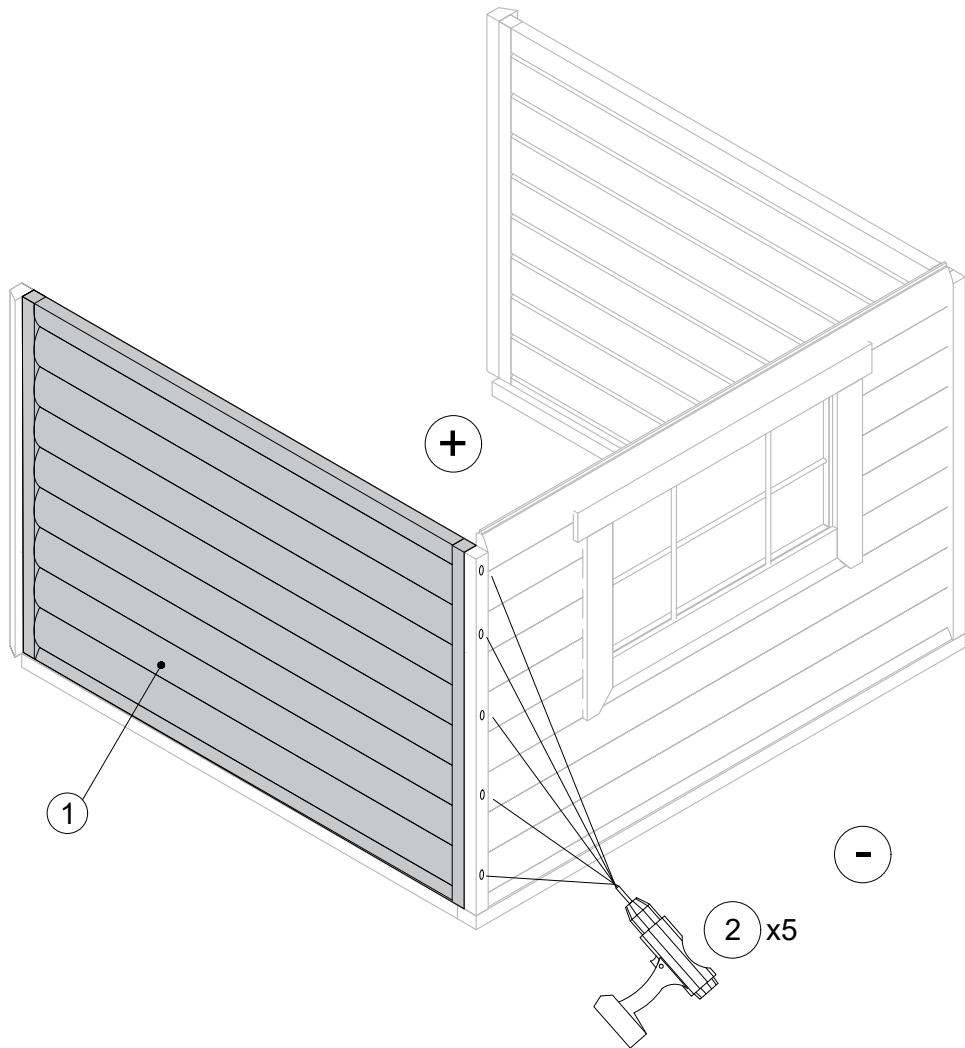
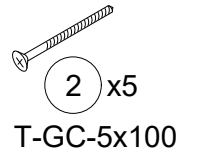


or

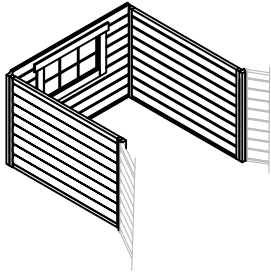


GR-EX-SS-1155x1655(2455;2955)
or
GR-EX-SS-1285x1655(2455;2955)
or
GR-EX-SS-1415x1655(2455;2955)

GR-EX-SSD-1155x1655(2455;2955)-A850-(d)
or
GR-EX-SSD-1285x1655(2455;2955)-A850-(d)
or
GR-EX-SSD-1415x1655(2455;2955)-A850-(d)



1.4 Extension WALLS CONNECTION



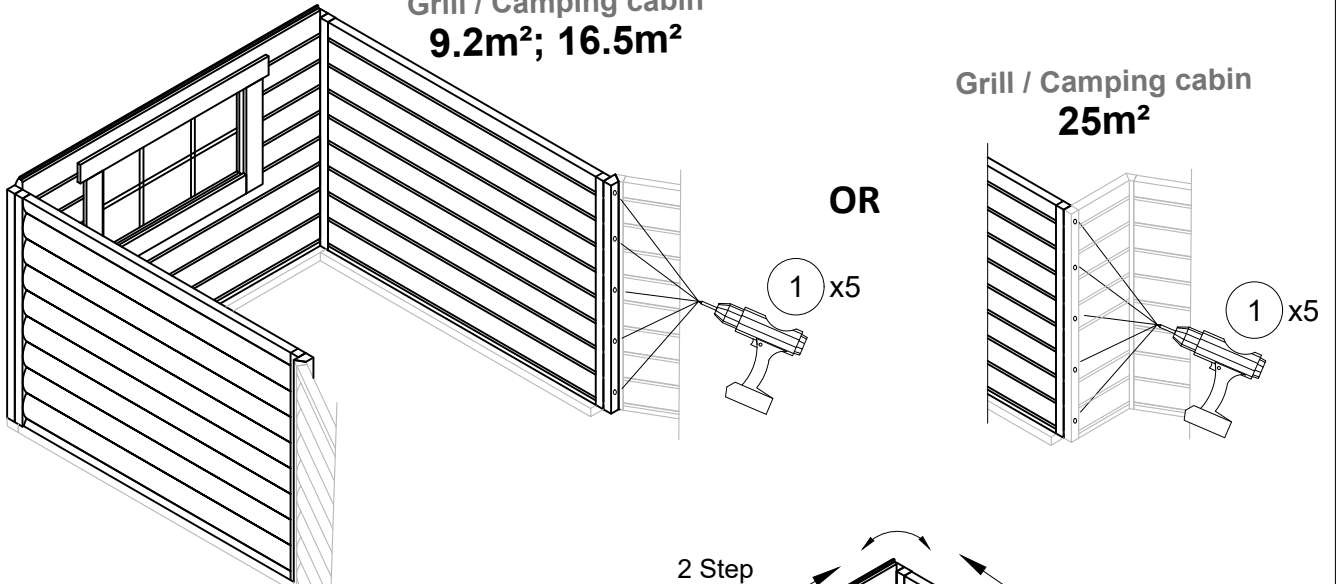
1 x11
T-GC-5x100

1 Step

Grill / Camping cabin
9.2m²; 16.5m²

Grill / Camping cabin
25m²

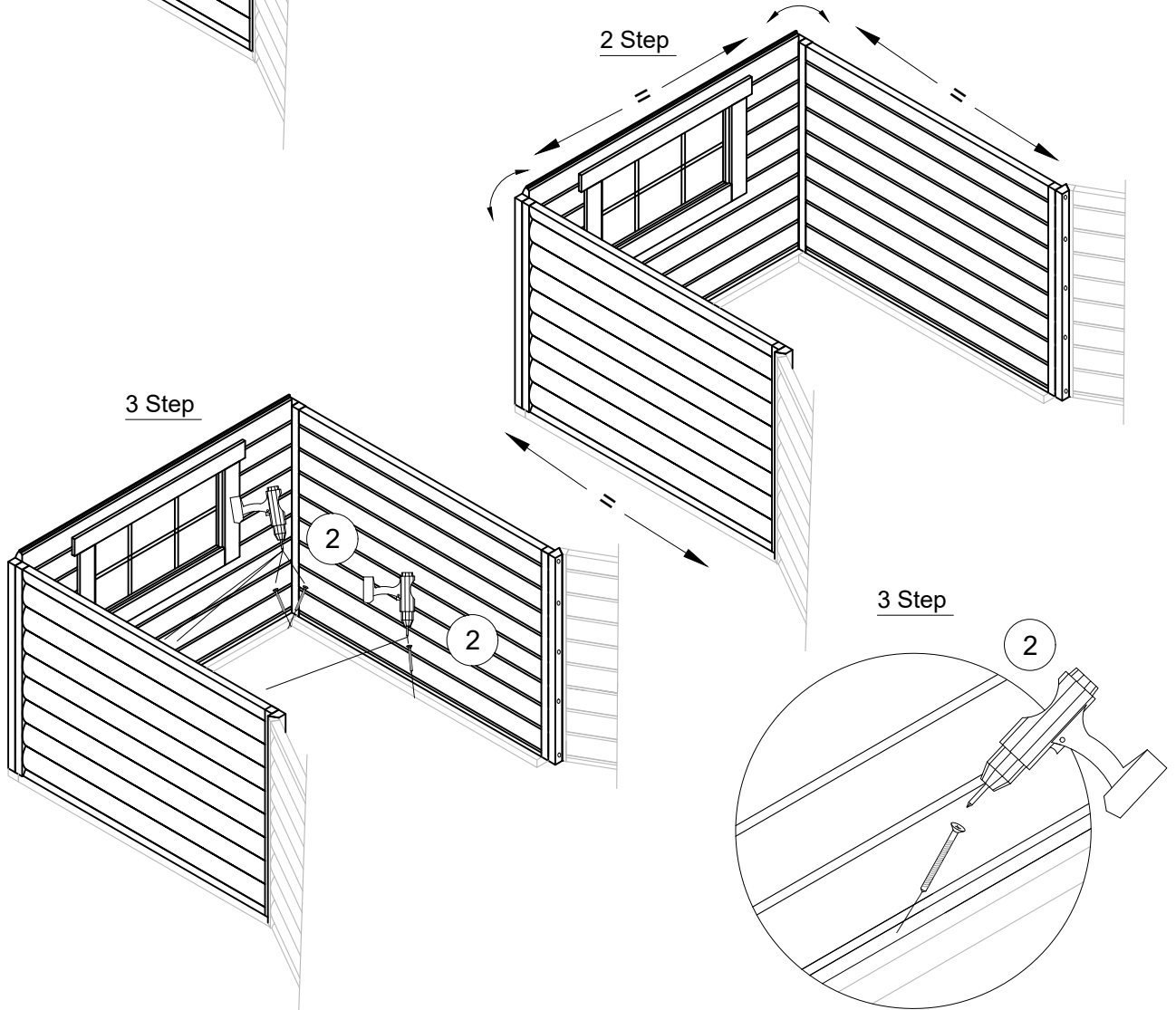
OR



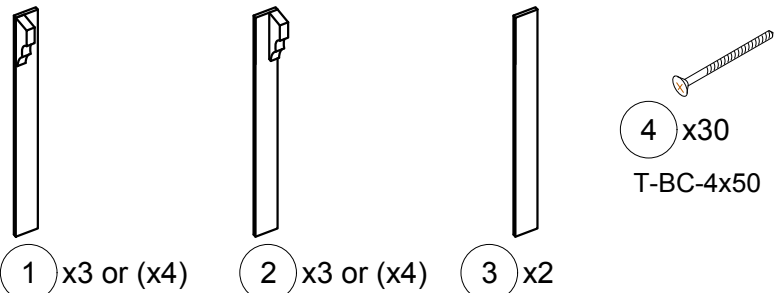
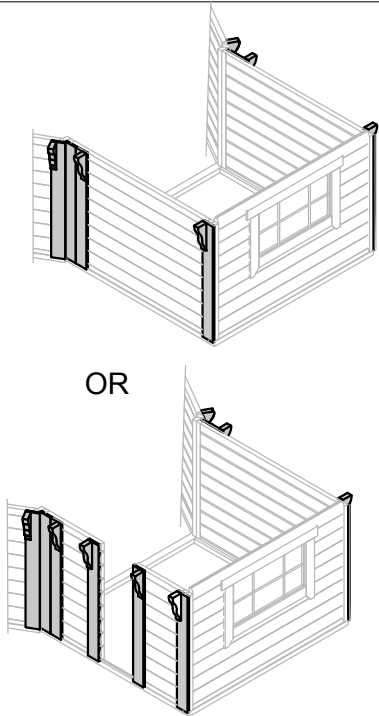
2 Step

3 Step

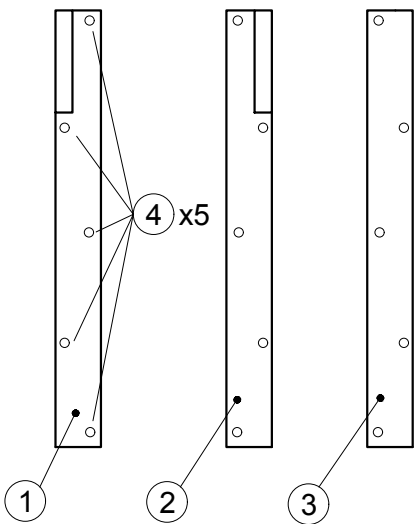
3 Step



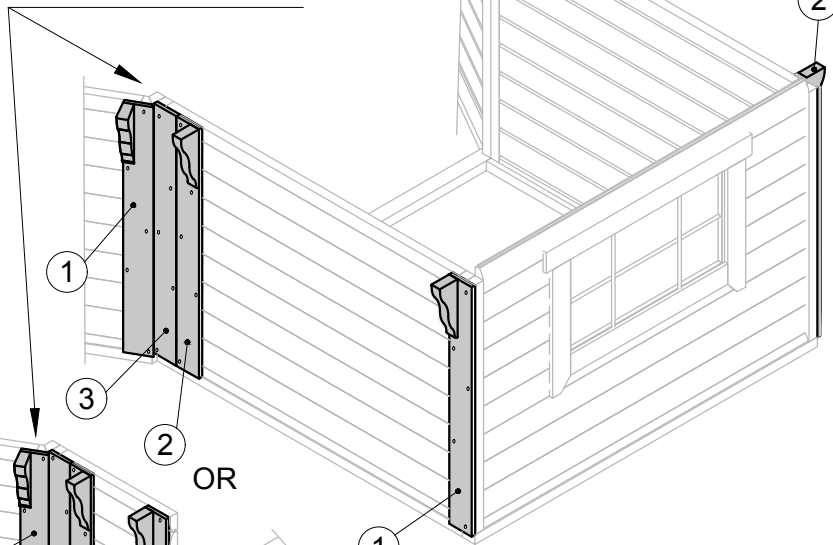
2. Extension DECORATION (SUPPORT) OUTSIDE



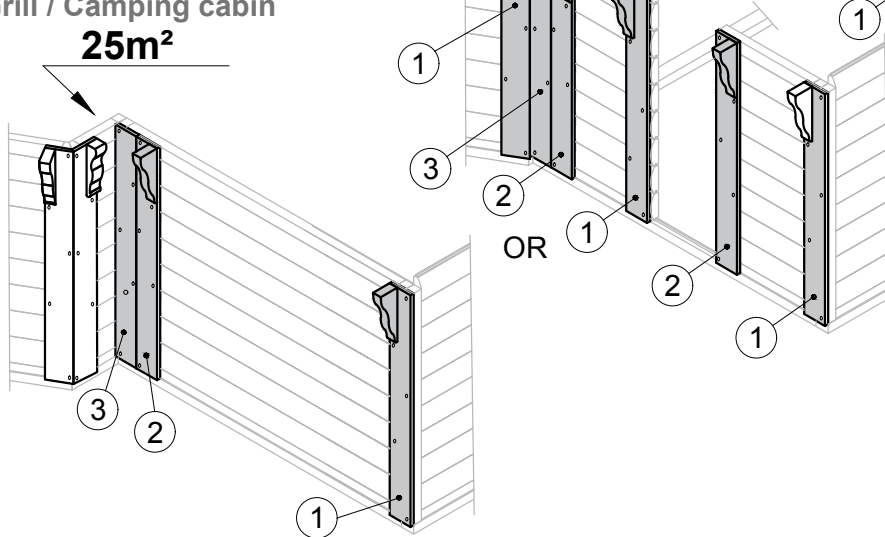
① x3 or (x4)	② x3 or (x4)	③ x2
GR-Apd(k)-1155 or GR-Apd(k)-1285 or GR-Apd(k)-1415	GR-Apd(d)-1155 or GR-Apd(d)-1285 or GR-Apd(d)-1415	M-18x95-1155 or M-18x95-1285 or M-18x95-1415



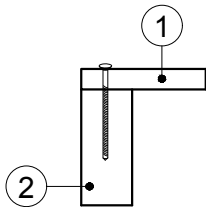
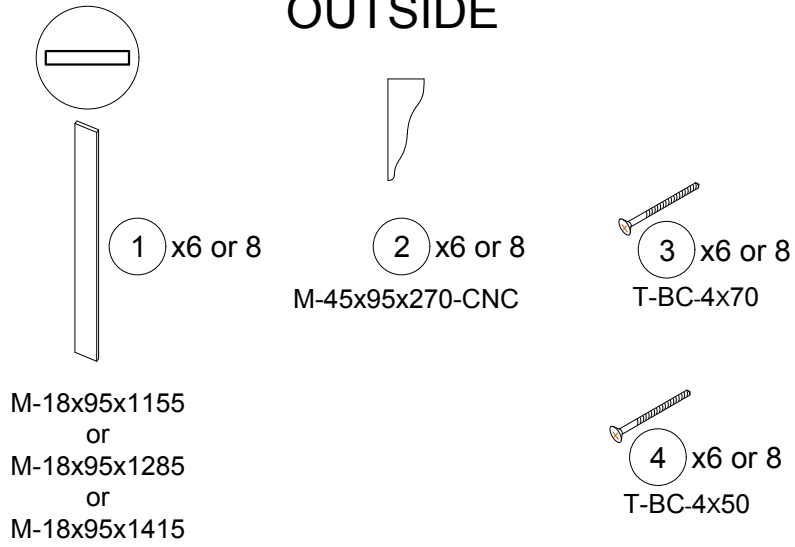
Grill / Camping cabin
9.2m²; 16.5m²



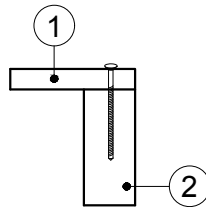
Grill / Camping cabin
25m²



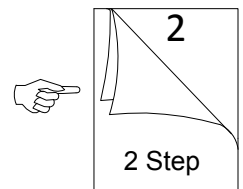
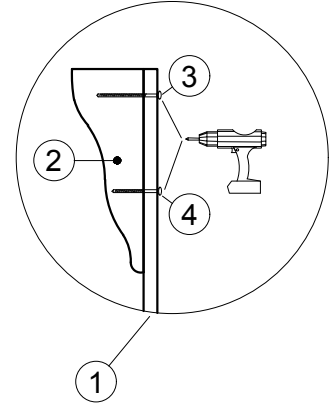
2.1 Extension DECORATION (SUPPORT) OUTSIDE



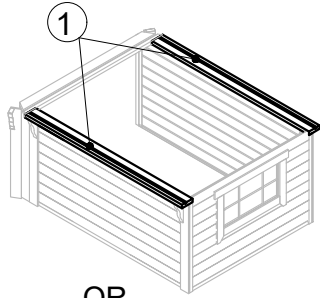
GR-Apd(k)-1155
 or
 GR-Apd(k)-1285
 or
 GR-Apd(k)-1415



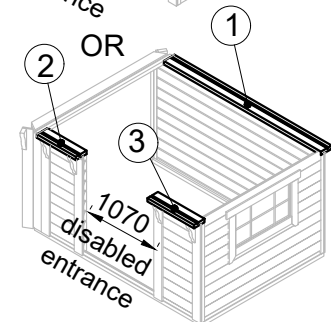
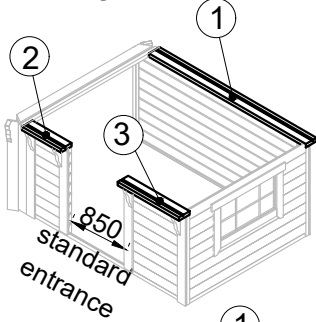
GR-Apd(d)-1155
 or
 GR-Apd(d)-1285
 or
 GR-Apd(d)-1415



3. Extension ROOF SUPPORT RING



OR



1 x2

M-45x160x1550-F
or
M-45x160x2350-F
or
M-45x160x2850-F



4 x22

T-GC-5x100

1 x1

M-45x160x2350-F
or
M-45x160x2850-F

2 x1

M-45x160x583-F

3 x1

M-45x160x917-F
or
M-45x160x1417-F

1 x1

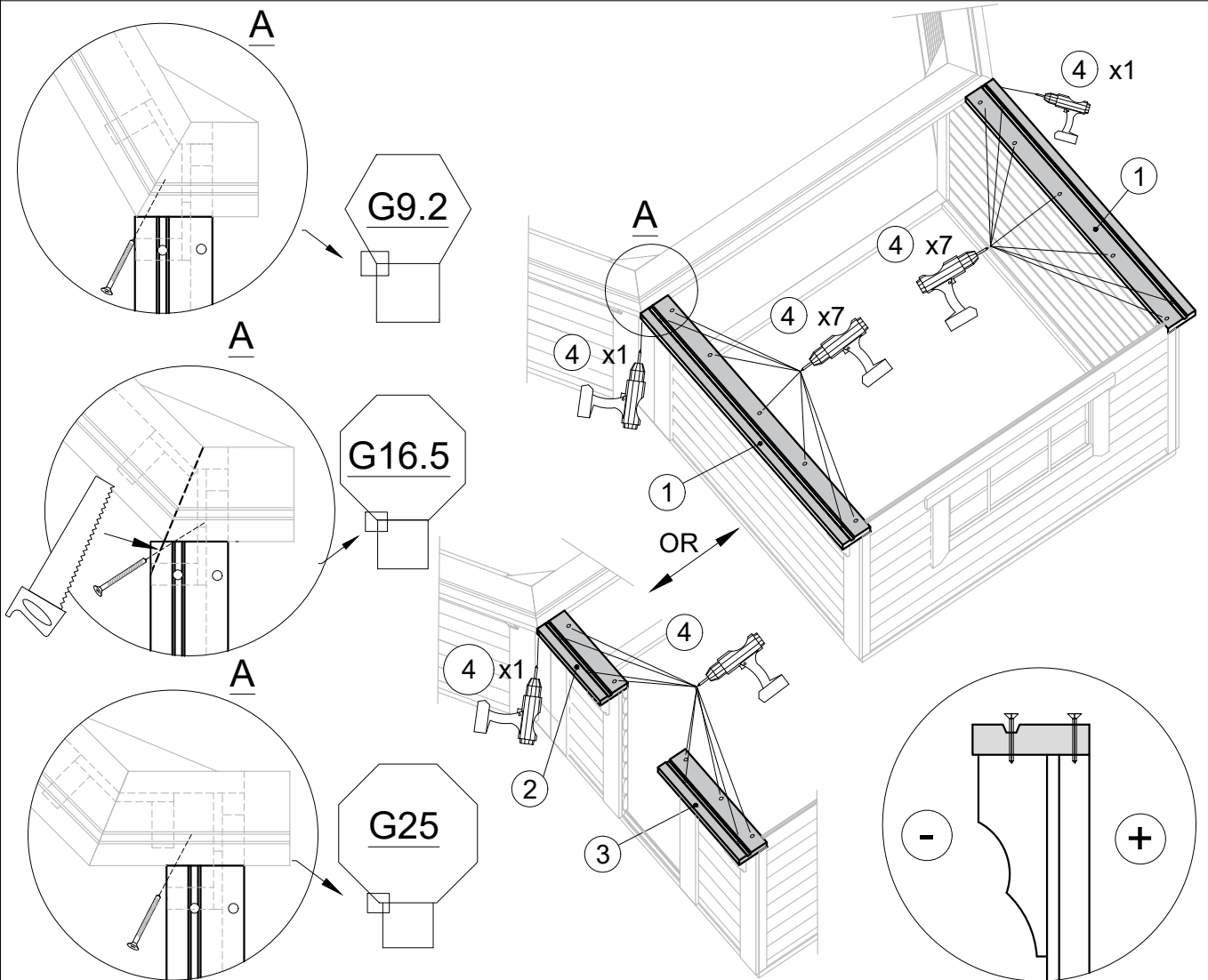
M-45x160x2350-F
or
M-45x160x2850-F

2 x1

M-45x160x583-F

3 x1

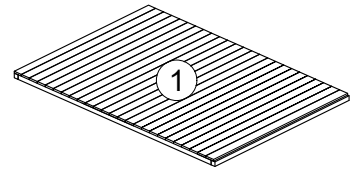
M-45x160x697-F
or
M-45x160x1197-F



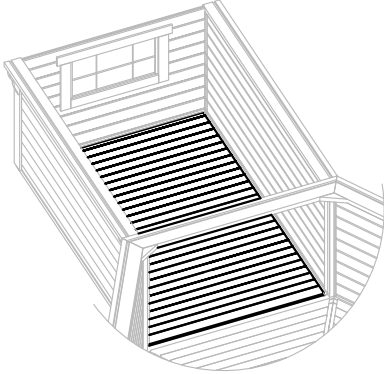
4. Extension FLOORS

① x1

GR-EX3-Grind(Spunt)-1620x1680
 or
 GR-EX3-I-Grind(Spunt)-1620x1680
 or
 GR-EX4.3-Grind(Spunt)-2420x1680
 or
 GR-EX4.3-I-Grind(Spunt)-2420x1680

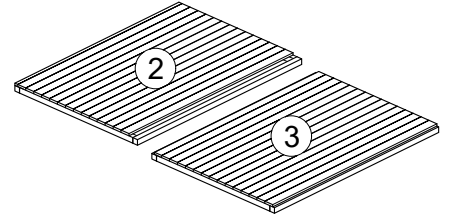


OR



② x1

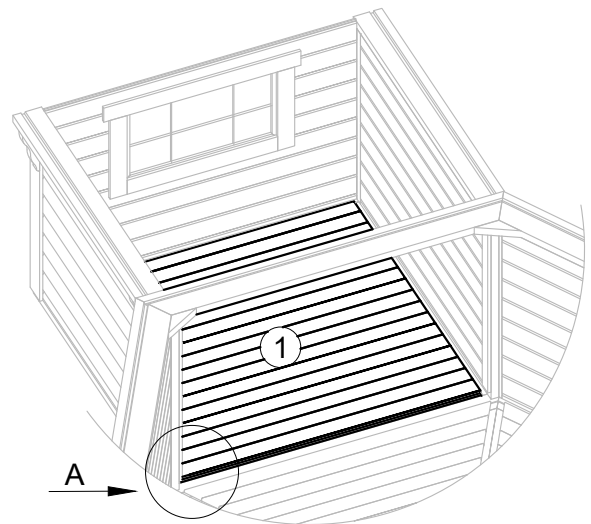
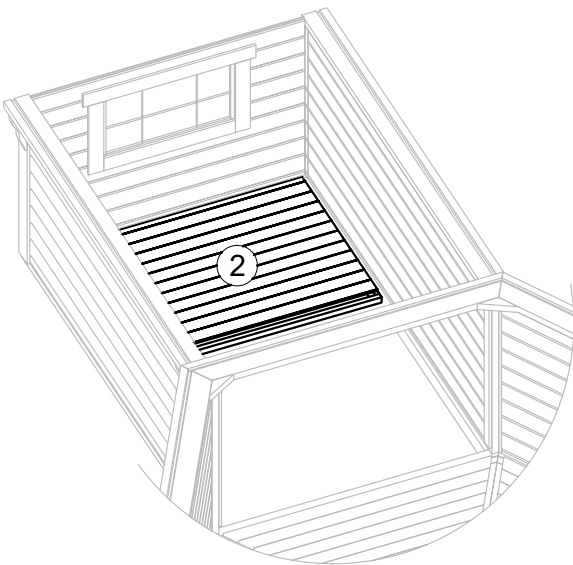
GR-EX5.2-Grind(Spunt)1-1460x1680
 or
 GR-EX5.2-I-Grind(Spunt)1-1460x1680



③ x1

GR-EX5.2-Grind(Spunt)2-1460x1680
 or
 GR-EX5.2-I-Grind(Spunt)2-1460x1680

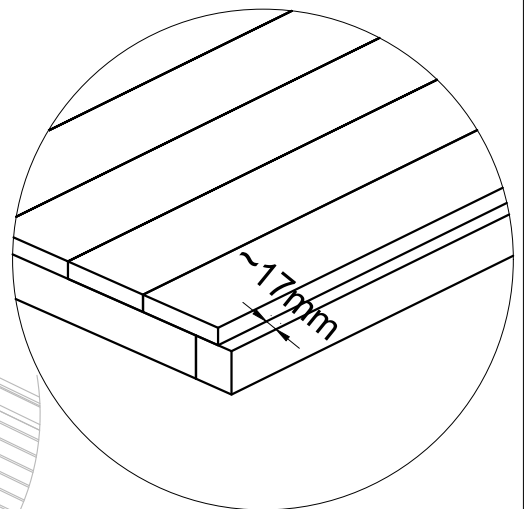
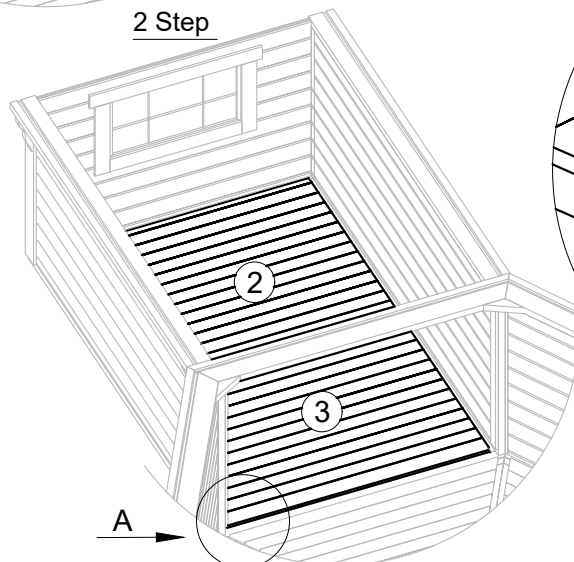
1 Step



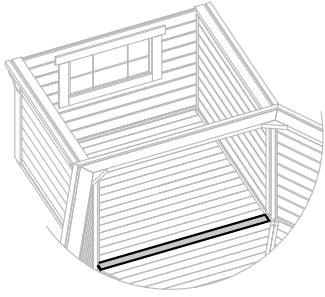
OR

A

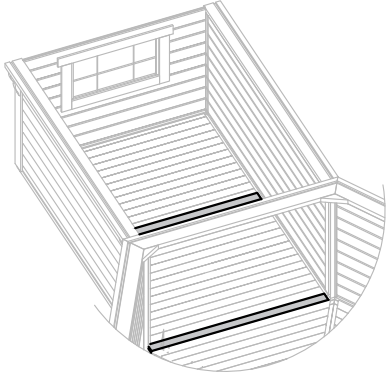
2 Step



5. Extension FLOORS FINISHING BOARDS



OR

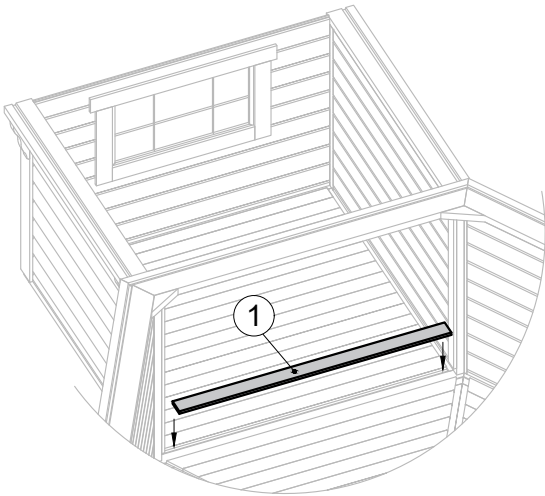


① x1 or (x2)

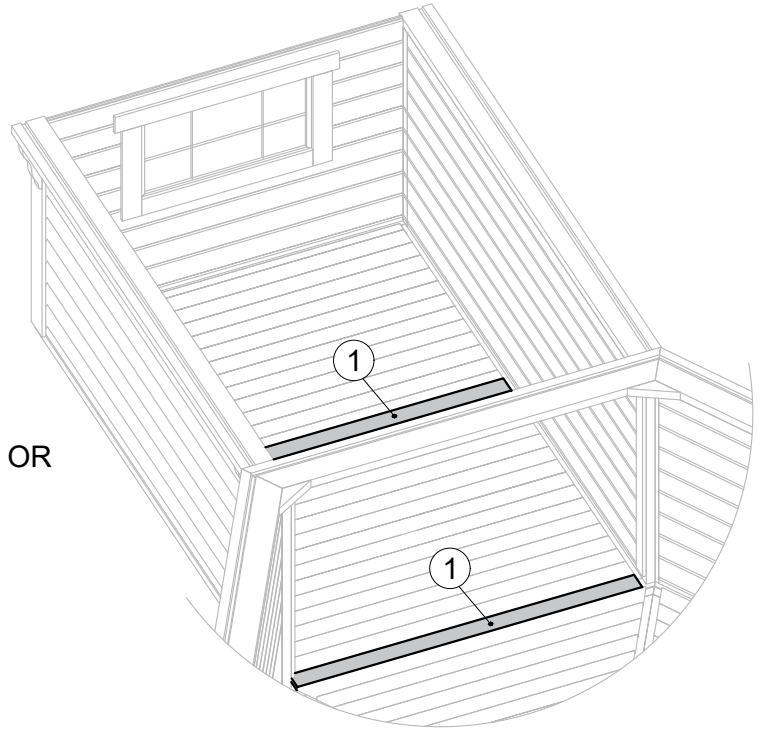
M-18x95x1680
or
Spunt-28x95x1680



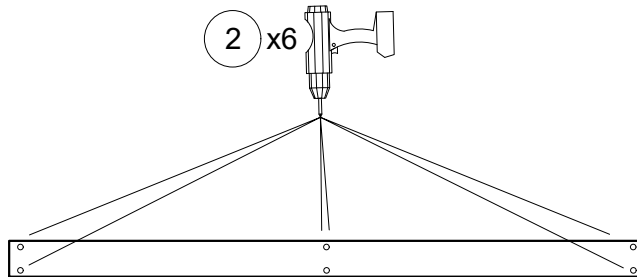
② x6 or (x12)
T-GC-3.5x45

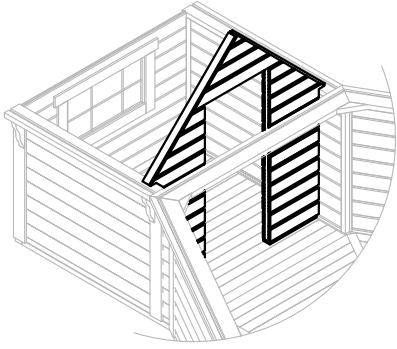


OR

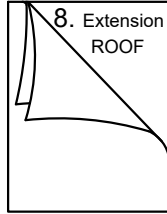
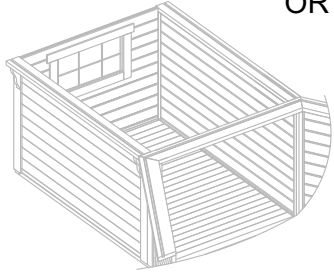


② x6

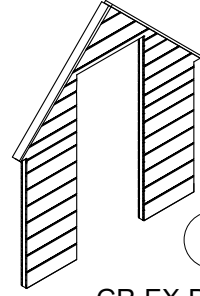




OR



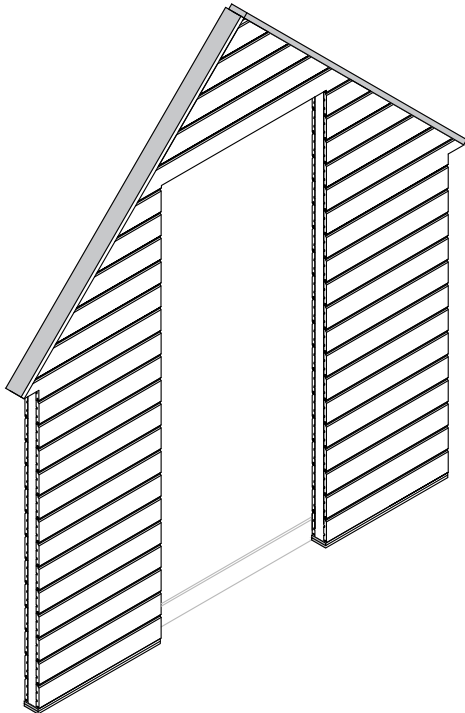
6. Extension INSIDE WALL



1 x1

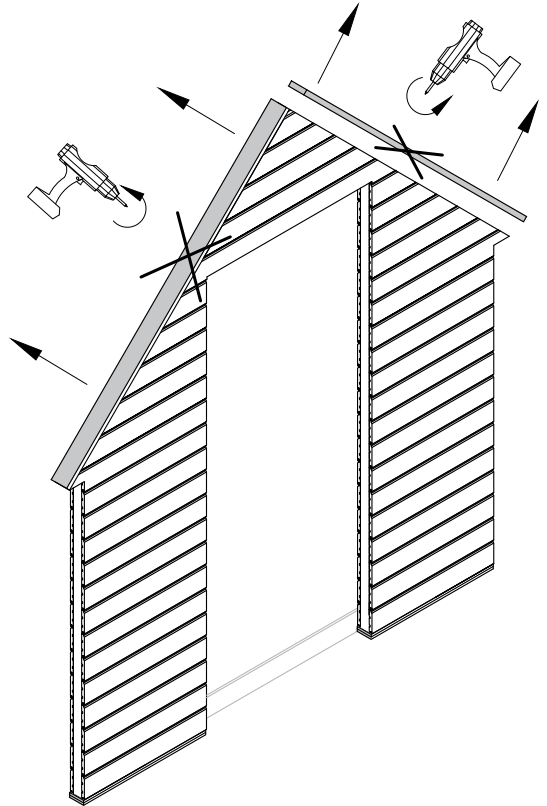
GR-EX-Pertv-1857x2093-A700
or
GR-EX-Pertv-1857x2223-A700
or
GR-EX-Pertv-1857x2223-A1010
or
GR-EX-Pertv-1857x2353-A700
or
GR-EX-Pertv-1857x2353-A1010

COLD
ROOF

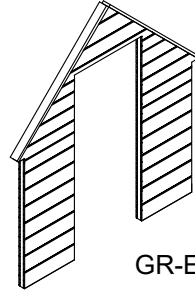
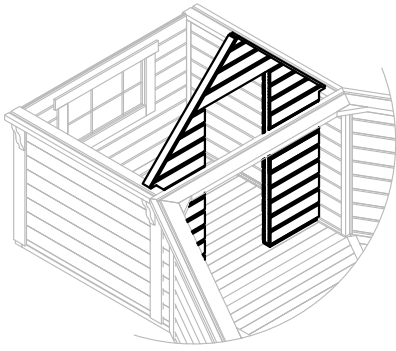


or

INSULATED
ROOF

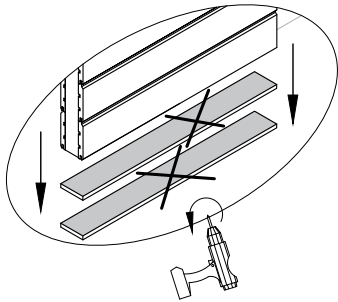


6.1 Extension INSIDE WALL

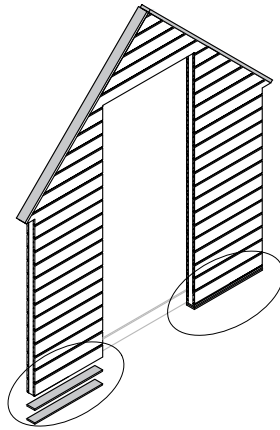


1 x1

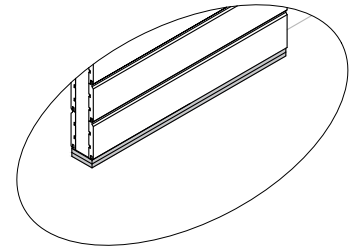
GR-EX-Pertv-1857x2093-A700
or
GR-EX-Pertv-1857x2223-A700
or
GR-EX-Pertv-1857x2223-A1010
or
GR-EX-Pertv-1857x2353-A700
or
GR-EX-Pertv-1857x2353-A1010



or



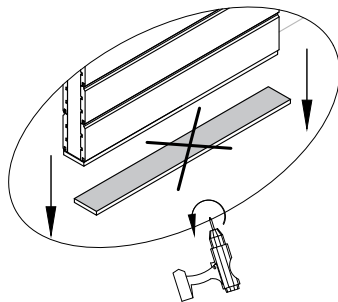
or



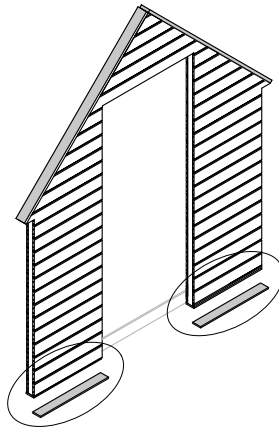
INSULATED FLOOR WITH
TONGUE AND GROOVE
BOARD 

COLD FLOOR WITH
BOARD 

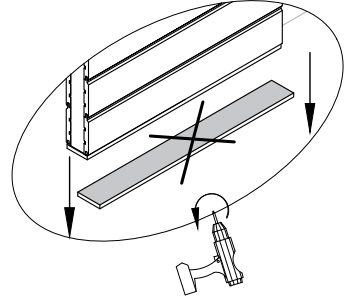
or




or



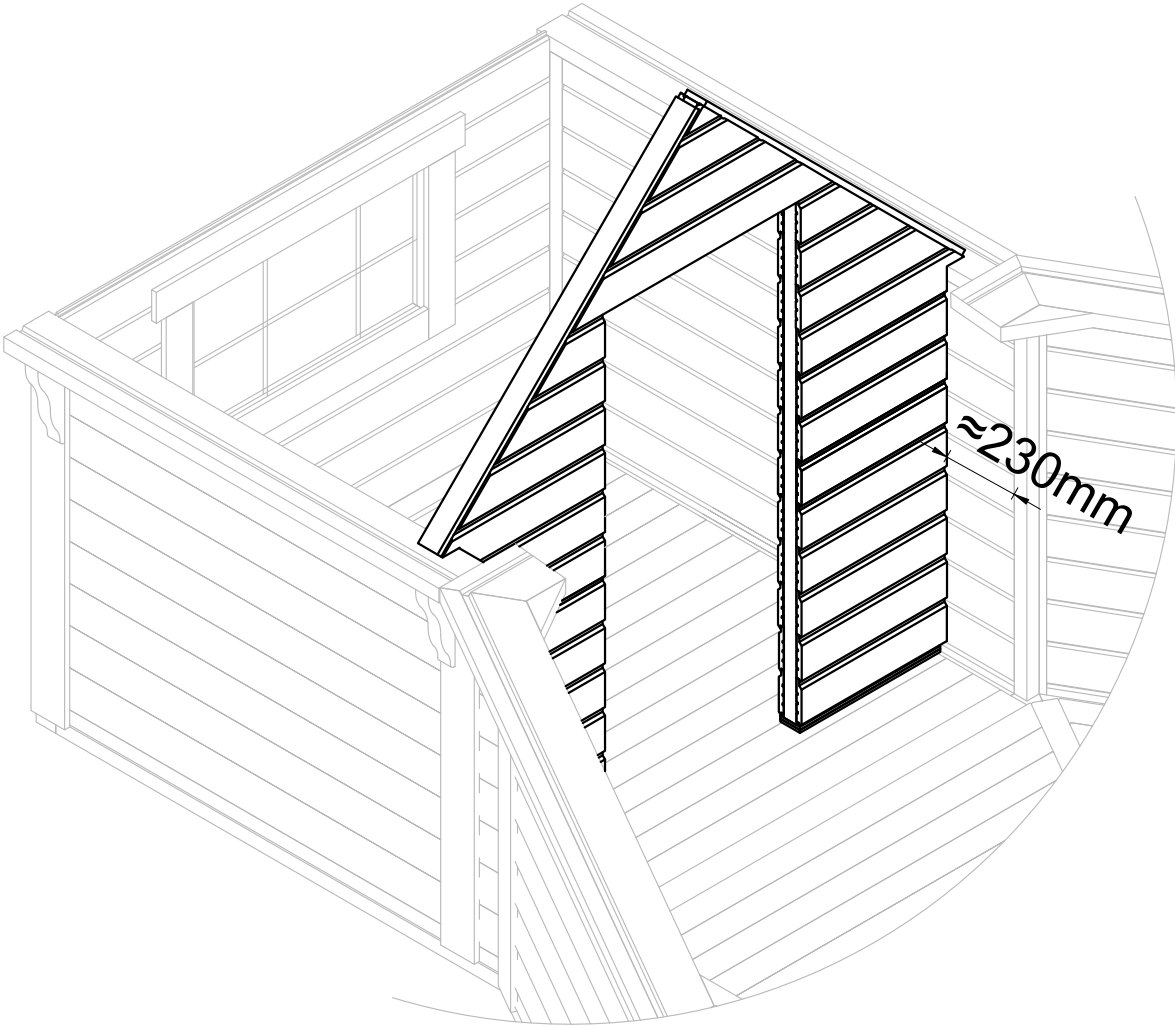
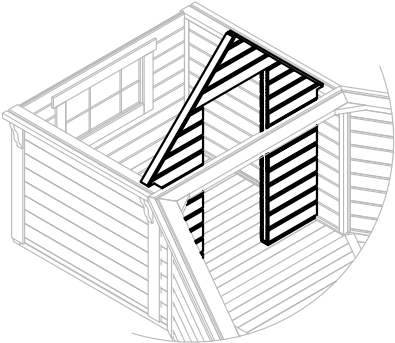
or



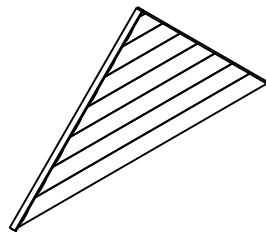
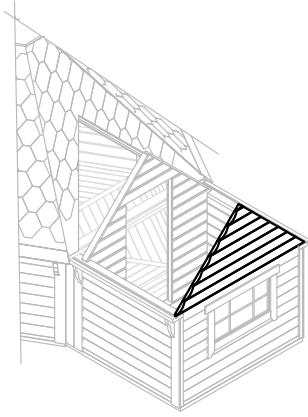
COLD FLOOR WITH TONGUE
AND GROOVE BOARD 

INSULATED FLOOR
WITH BOARD 

6.2 Extension INSIDE WALL



7. Extension WALLS CONNECTION



① x1

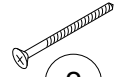
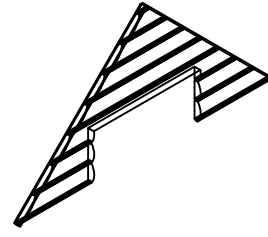
GR-EX-GS-trikamp-961x1923

or

GR-EX-GSD-trikamp-961x1923-A796

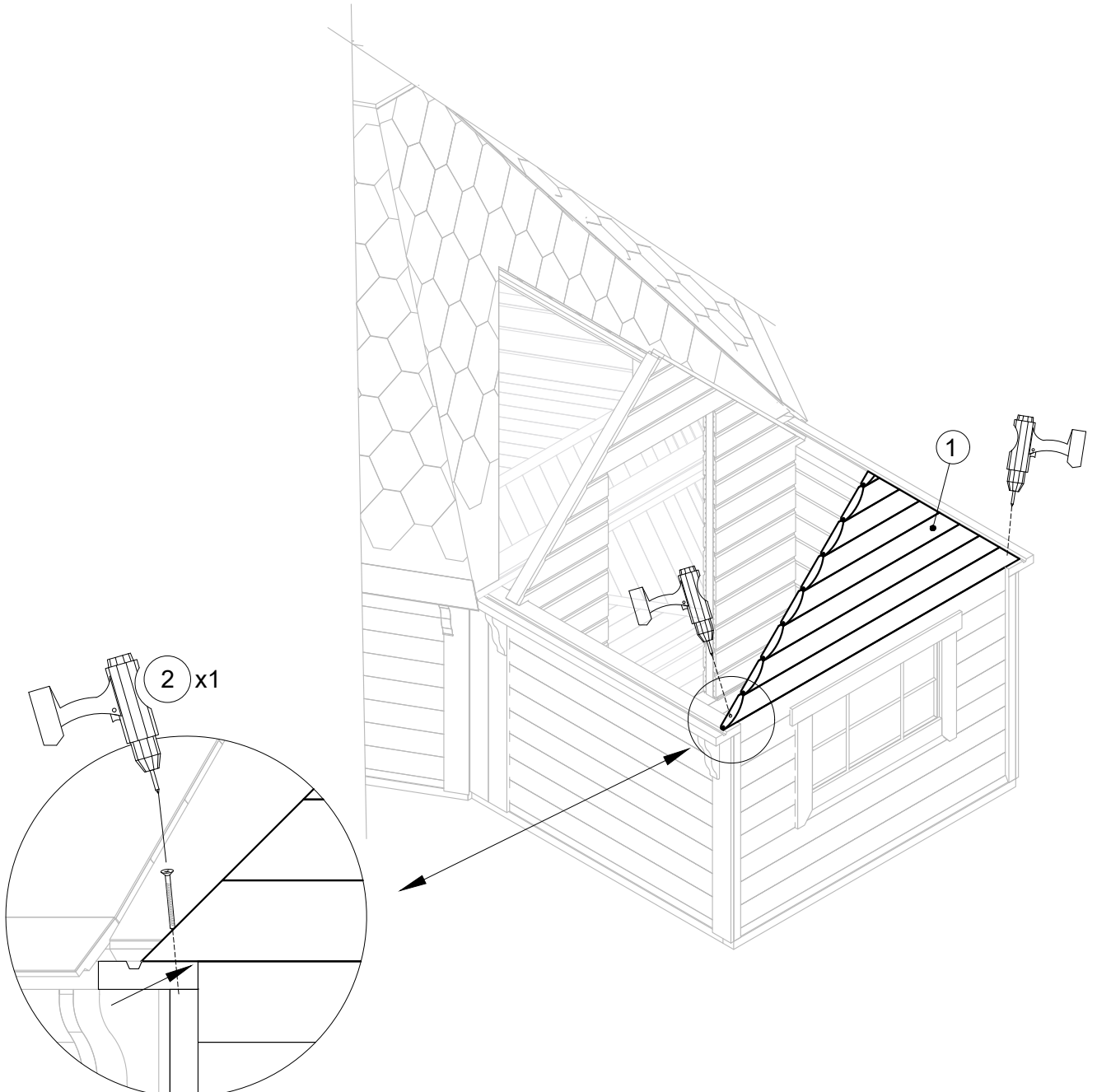
or

GR-EX-GSD-trikamp-961x1923-A1010

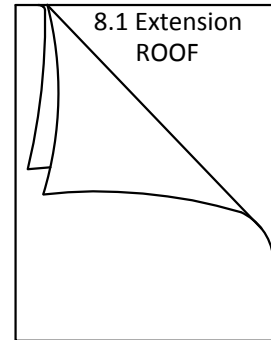
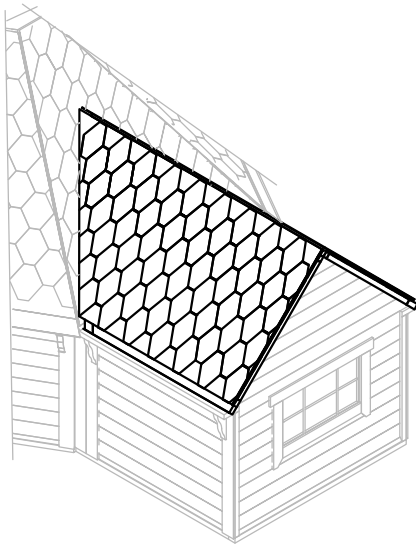


② x2

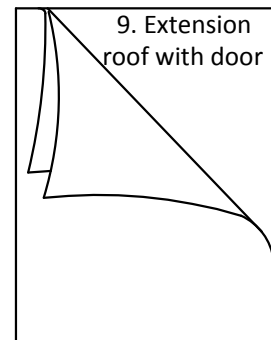
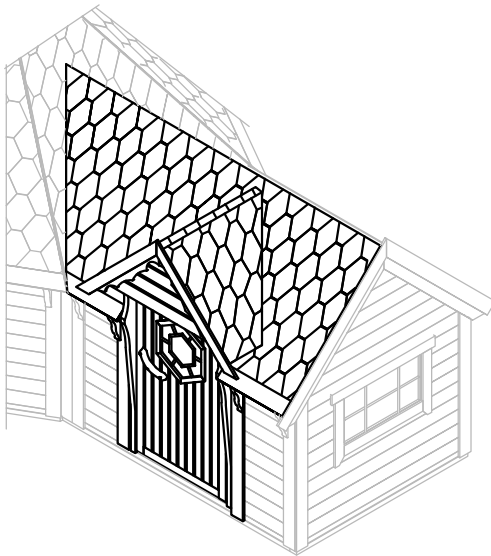
T-GC-5x100



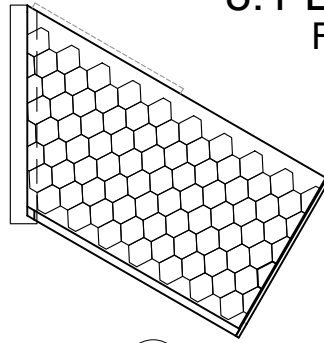
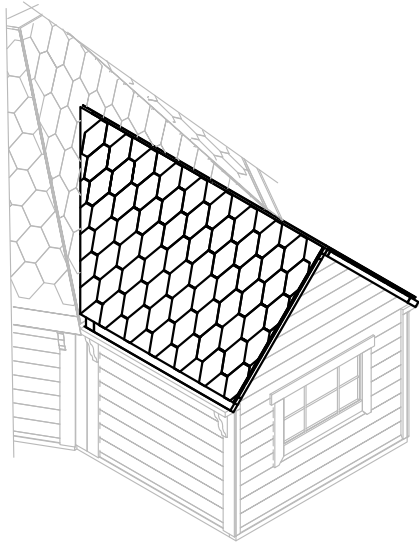
8. Extension ROOF



OR

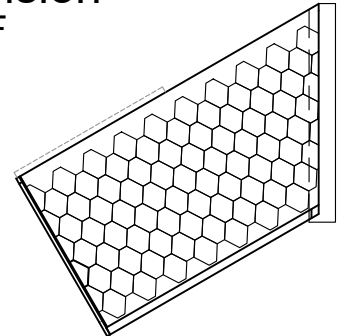


8.1 Extension ROOF



1 x1

GR-EX-Stog-1421x2517(d)
or
GR-EX-I-Stog-1421x2517(d)
or
GR-EX-Stog-1421x3317(d)
or
GR-EX-I-Stog-1421x3317(d)
or
GR-EX-Stog-1421x3817(d)
or
GR-EX-I-Stog-1421x3817(d)



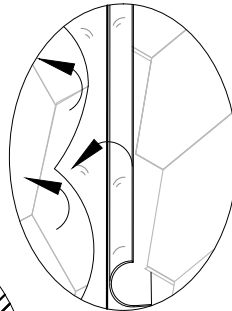
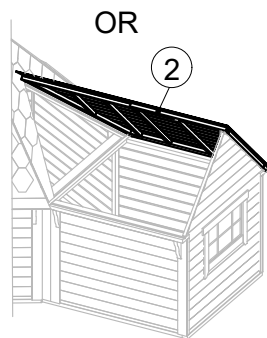
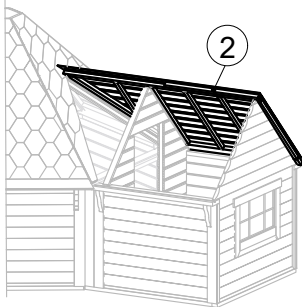
2 x1

GR-EX-Stog-1421x2517(k)
or
GR-EX-I-Stog-1421x2517(k)
or
GR-EX-Stog-1421x3317(k)
or
GR-EX-I-Stog-1421x3317(k)
or
GR-EX-Stog-1421x3817(k)
or
GR-EX-I-Stog-1421x3817(k)

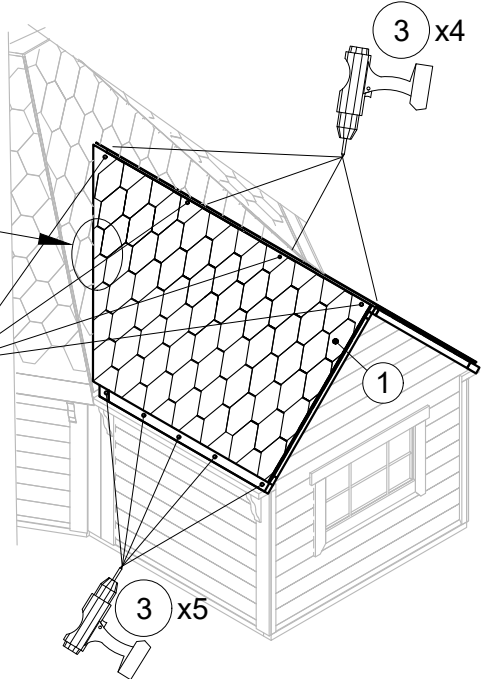


3 x22

T-GC-5x80



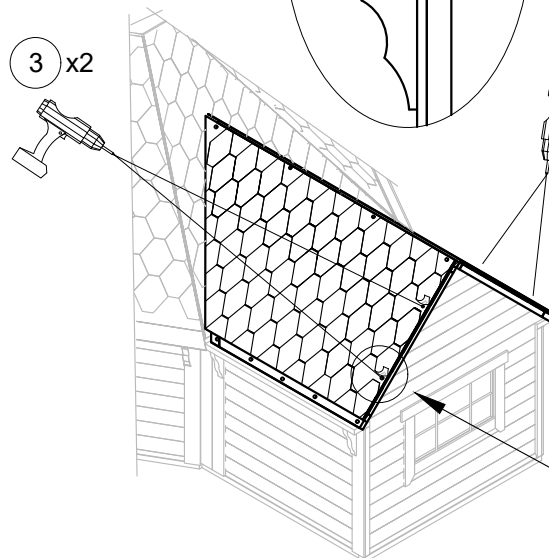
3 x4



1

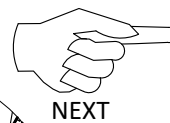
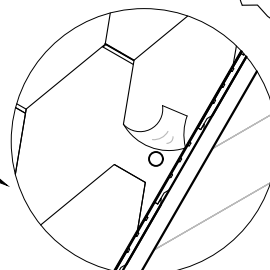
3 x4

3 x5

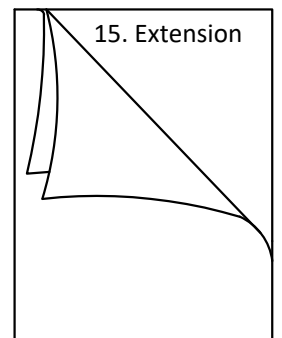


3 x2

3 x2

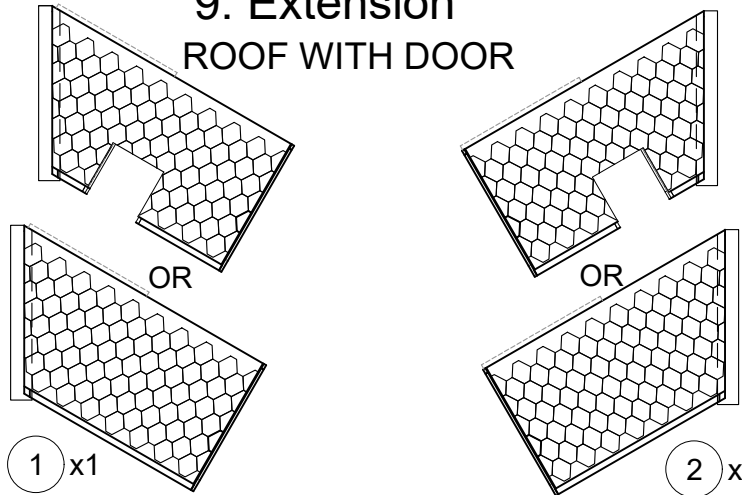
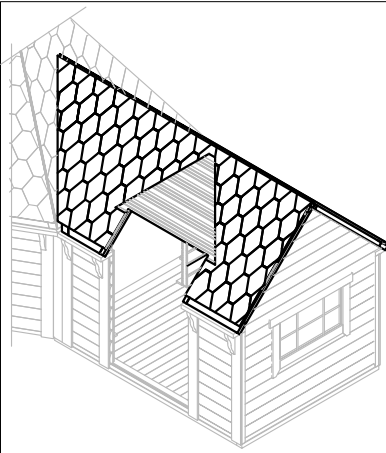


NEXT



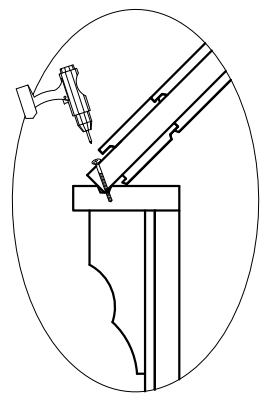
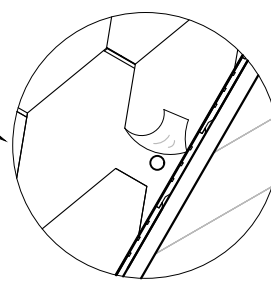
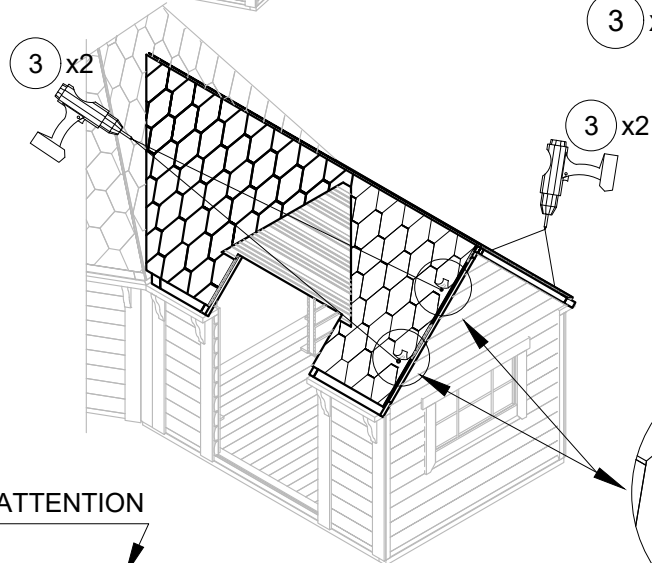
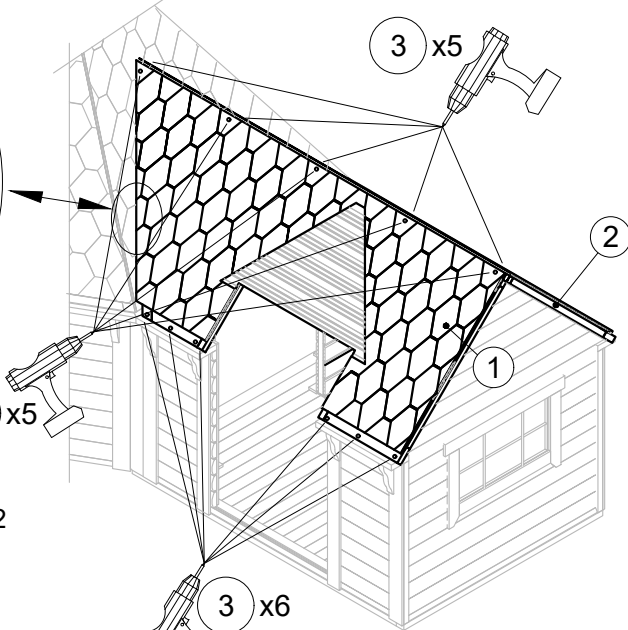
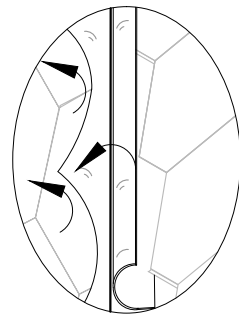
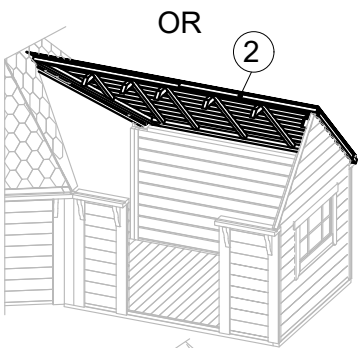
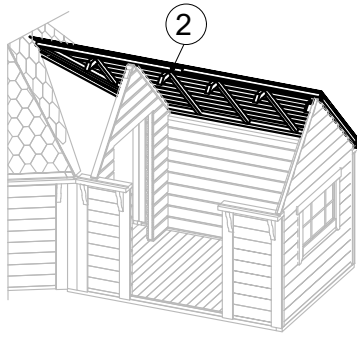
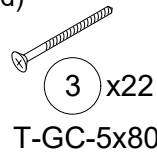
15. Extension

9. Extension ROOF WITH DOOR



1 x1
 GR-EX-(I)-StogD-1421x3317-A850(d)
 or
 GR-EX-(I)-StogD-1421x3317-A1070(d)
 or
 GR-EX-(I)-StogD-1421x3817-A850(d)
 or
 GR-EX-(I)-StogD-1421x3817-A1070(d)
 or
 GR-EX-(I)-Stog-1421x3317(d)

2 x1
 GR-EX-(I)-StogD-1421x3317-A850(k)
 or
 GR-EX-(I)-StogD-1421x3317-A1070(k)
 or
 GR-EX-(I)-StogD-1421x3817-A850(k)
 or
 GR-EX-(I)-StogD-1421x3817-A1070(k)
 or
 GR-EX-(I)-Stog-1421x3317(k)



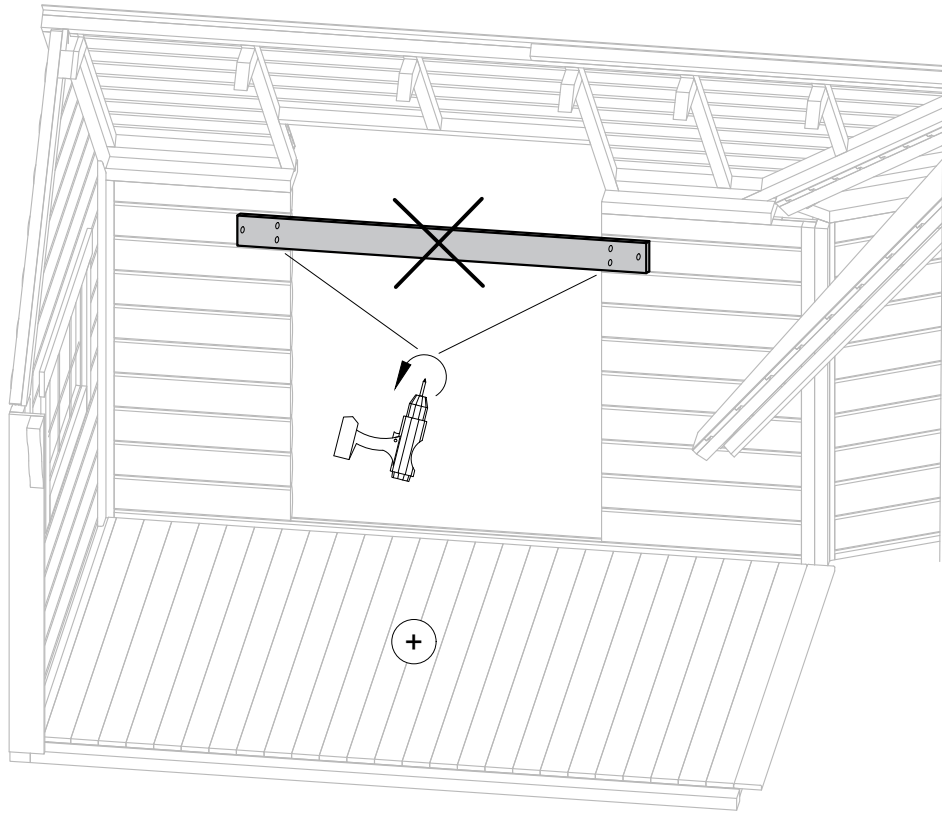
ATTENTION

GR-EX-(I)-StogD-14..... INSULATED

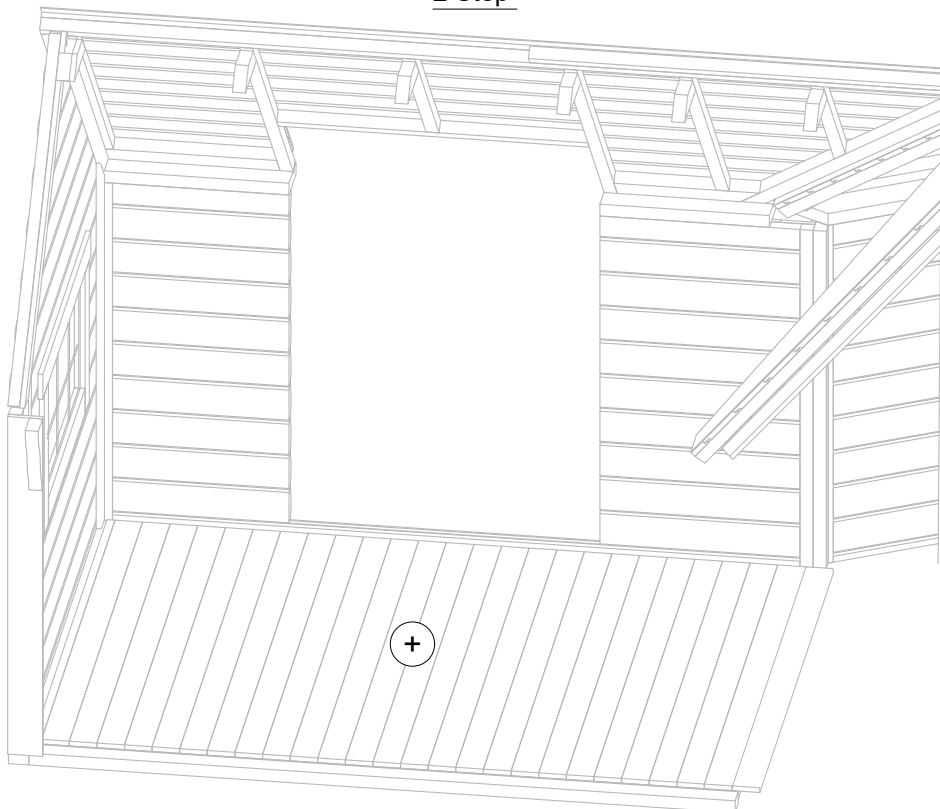
GR-EX-StogD-14..... COLD

10. Extension ENTRANCE ASSEMBLY

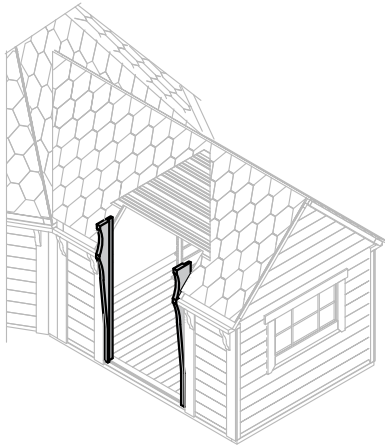
1 Step



2 Step





11. Extension ENTRANCE SUPPORT

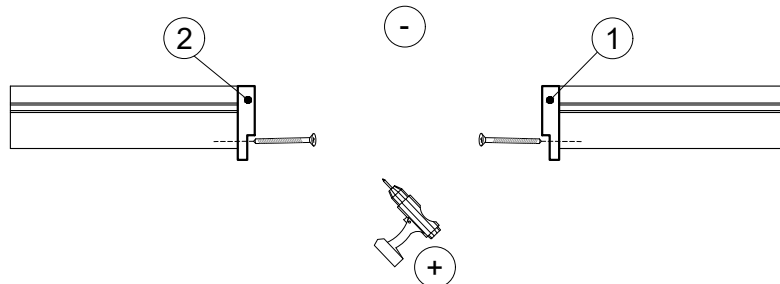
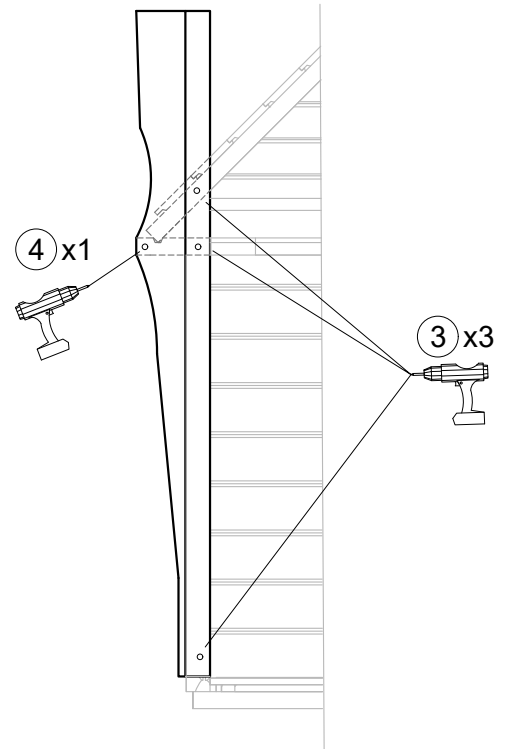
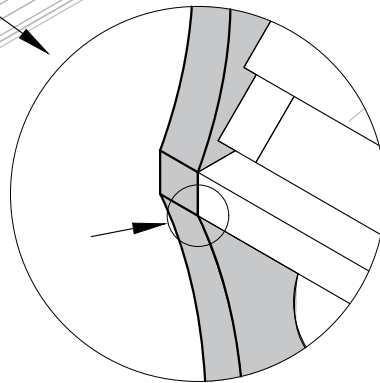
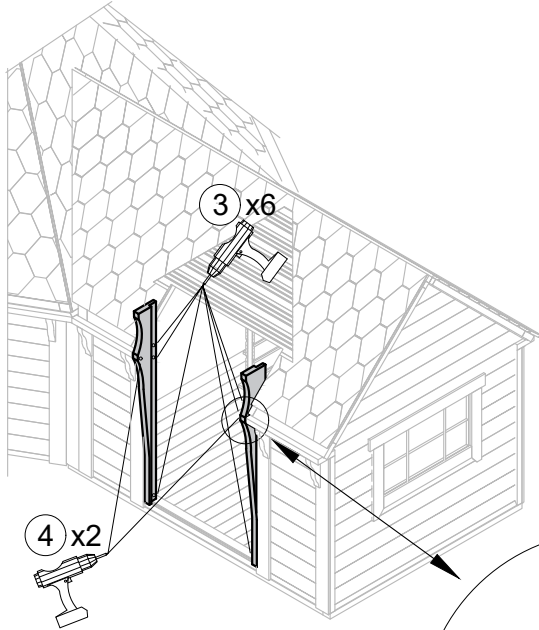


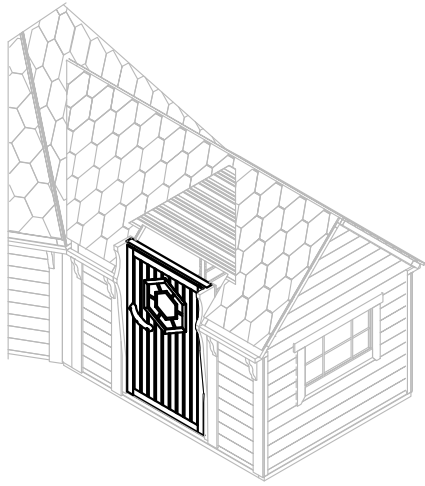
M-45x195x1630-A850-CNC(k)
or
M-45x195x1760-A850-CNC(k)
or
M-45x195x1890-A-850-CNC(k)
or
M-45x195x1630-A1070-CNC(k)
or
M-45x195x1760A-1070-CNC(k)



M-45x195x1630-A850-CNC(d)
or
M-45x195x1760-A850-CNC(d)
or
M-45x195x1890-A-850-CNC(d)
or
M-45x195x1630-A1070-CNC(d)
or
M-45x195x1760A-1070-CNC(d)

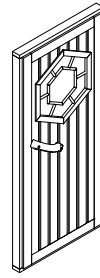
-  ③ x6
T-BC-4x50
-  ④ x2
T-GC-5x80





12.Extension OUTSIDE DOOR

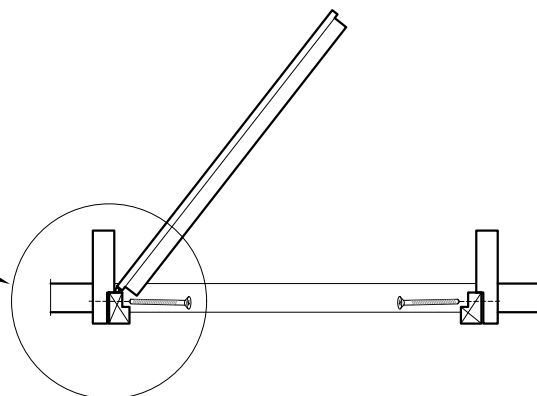
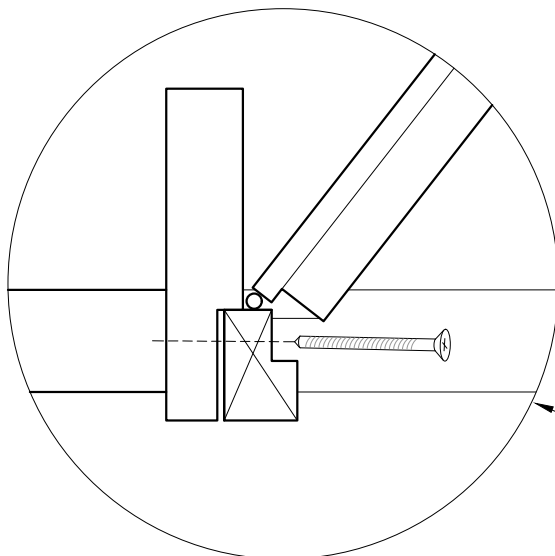
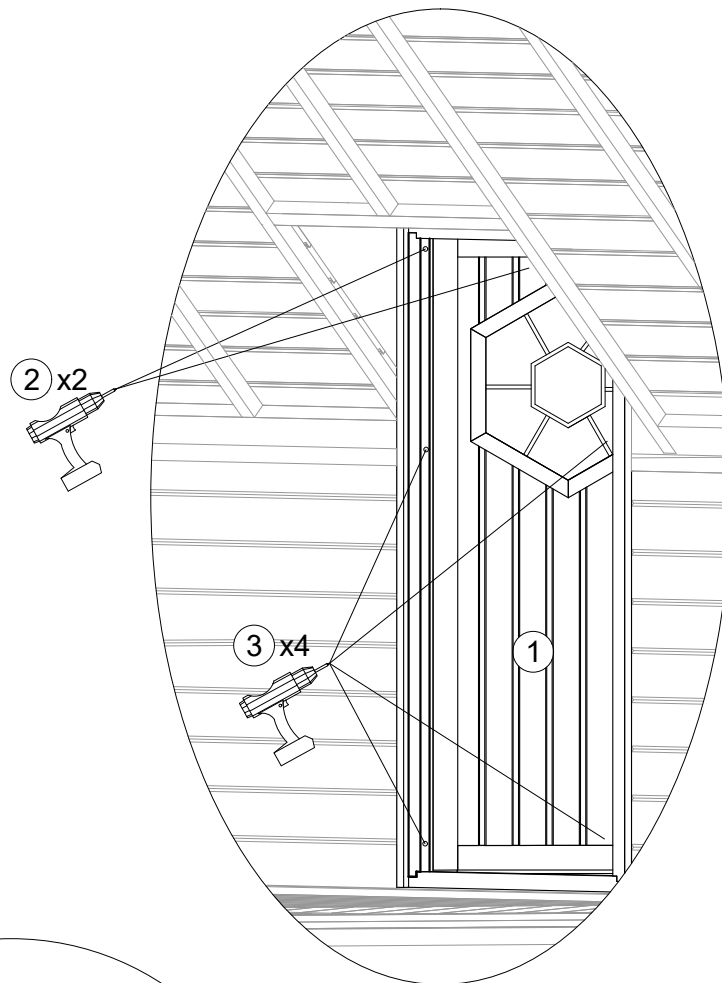
① x1
PUS00013
or
PUS00060
or
PUS00321
or
PUS00317
or
PUS00322



② x2
T-BC-4x50



③ x4
T-GC-5x100



13.Extension INSIDE FINISHING BOARD

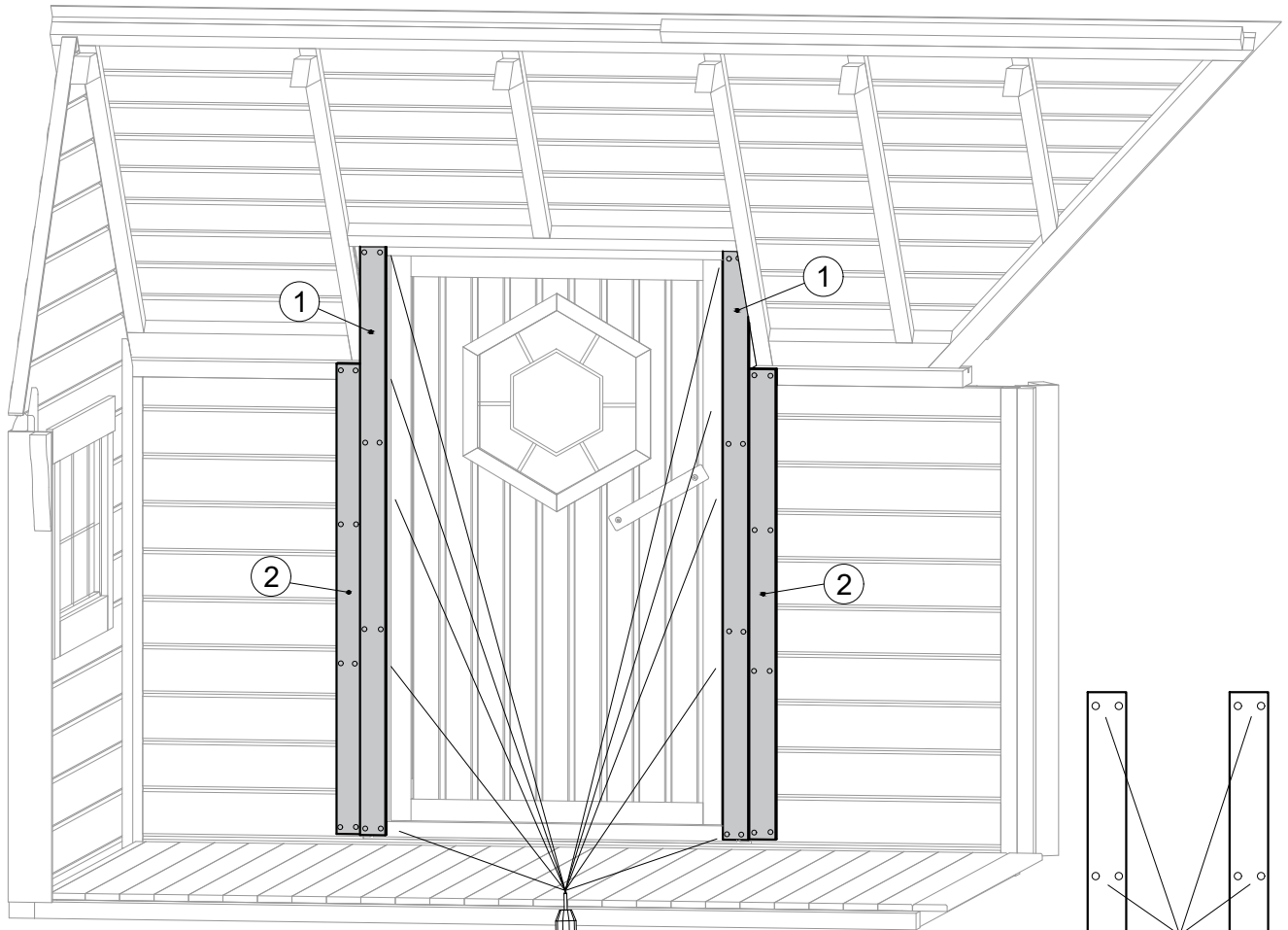
① x2
M-18x70x1624
or
M-18x70x1754
or
M-18x70x1884



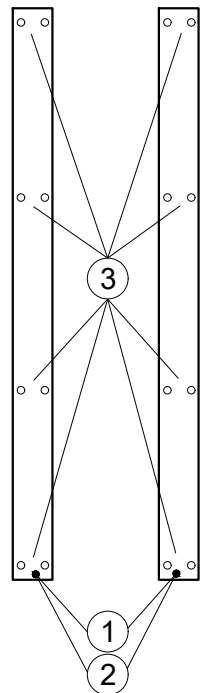
② x2
M-18x70x1150
or
M-18x70x1280
or
M-18x70x1410



③ x32
T-GC-3.5x45



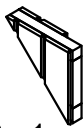
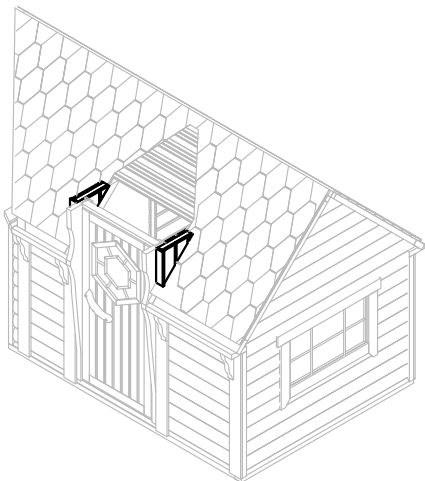
③ x32



14. Extension ENTRANCE ASSEMBLY

782mm
standard door

1070mm
disabled door



① x1

GR-trikamp-313x331-(k)



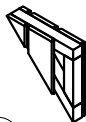
① x2

M-45X136X271-F



③ x4

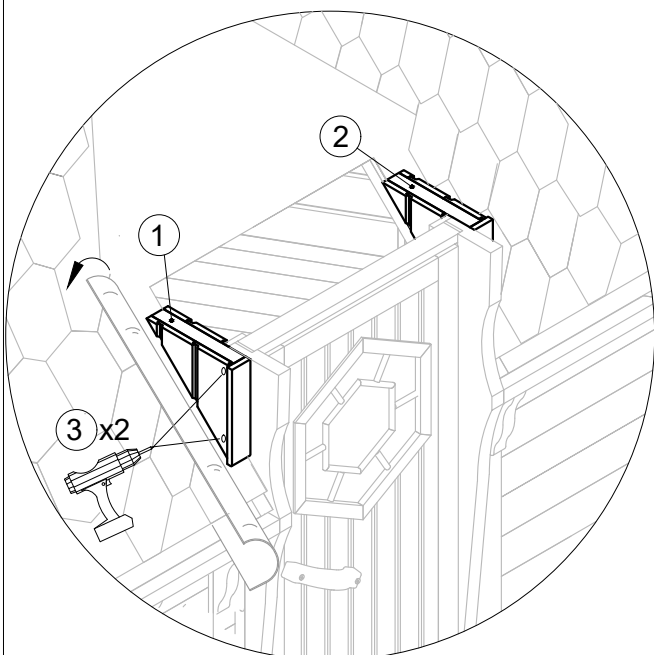
T-GC-5x80



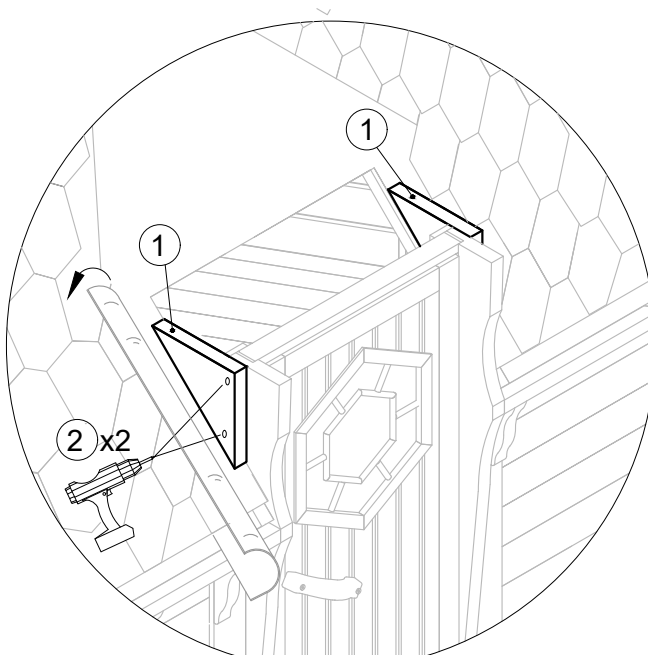
② x1

GR-trikamp-313x331-(d)

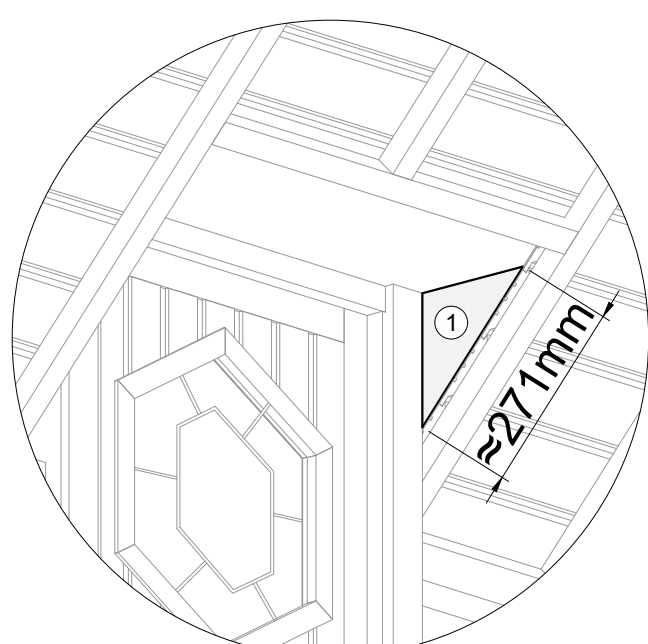
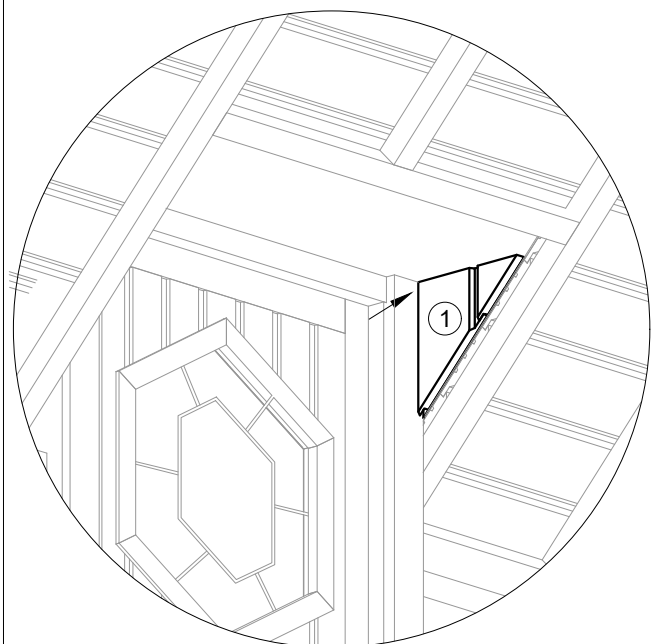
OR



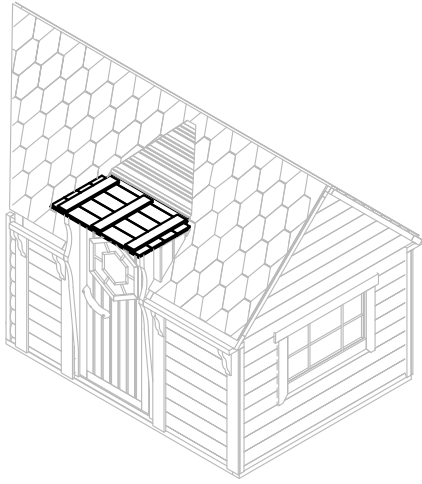
782mm
standard door



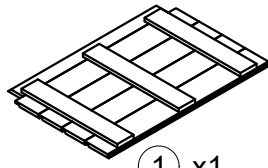
1070mm
disabled door



14.1 Extension ENTRANCE ASSEMBLY



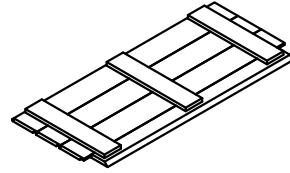
782mm
standard door



① x1

GR-lubos-636x939

1070mm
disabled door



① x1

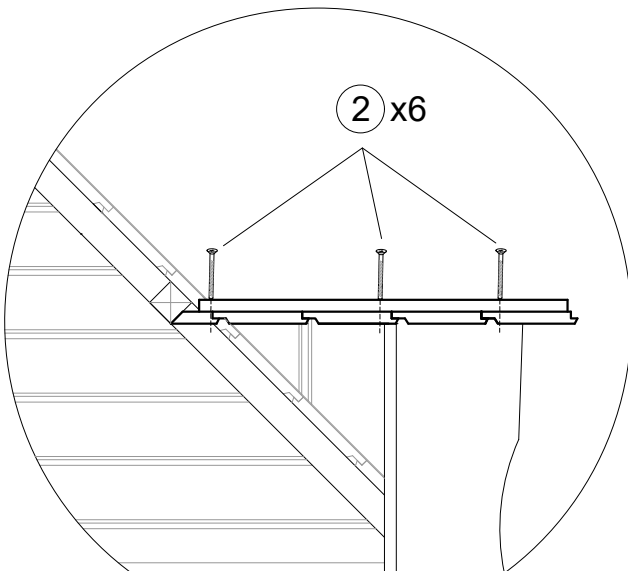
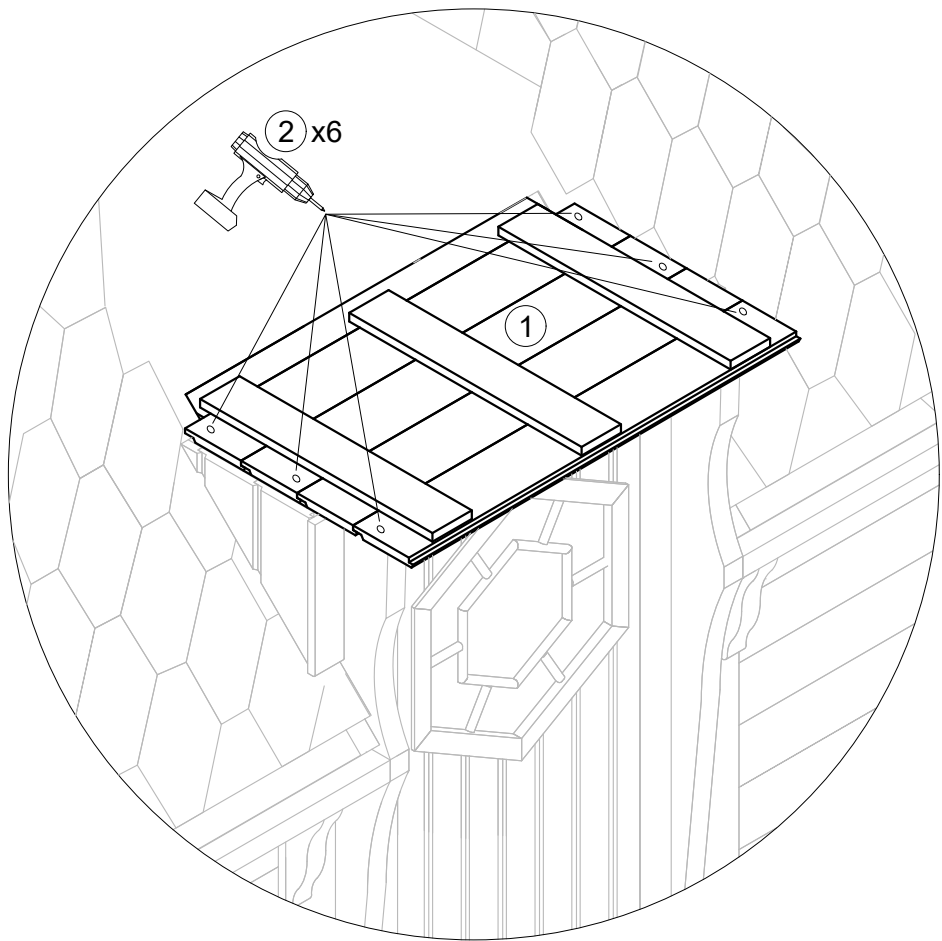
GR-lubos-507x1159

OR

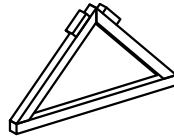
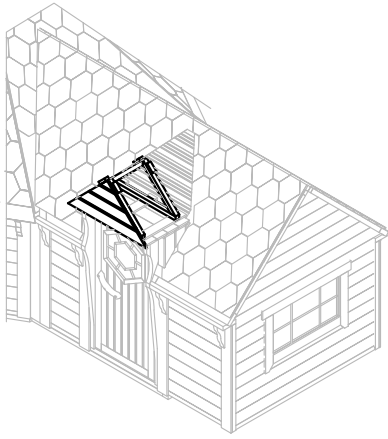


② x6

T-GC-4x70

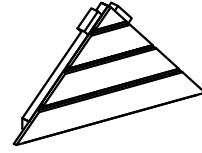


14.2 Extension ENTRANCE ASSEMBLY



① x1

GR-Stog-trik-453x815
or
GR-Stog-trik-563x1035



② x1

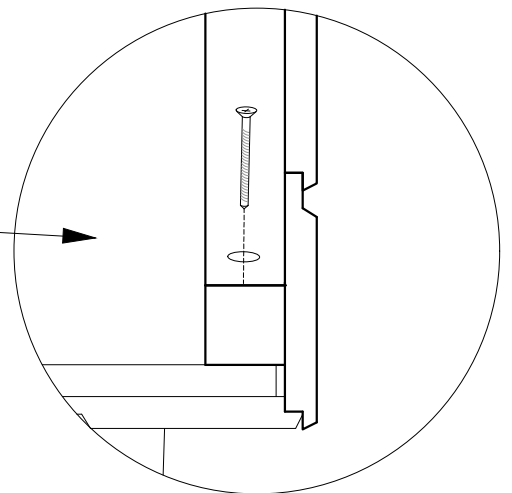
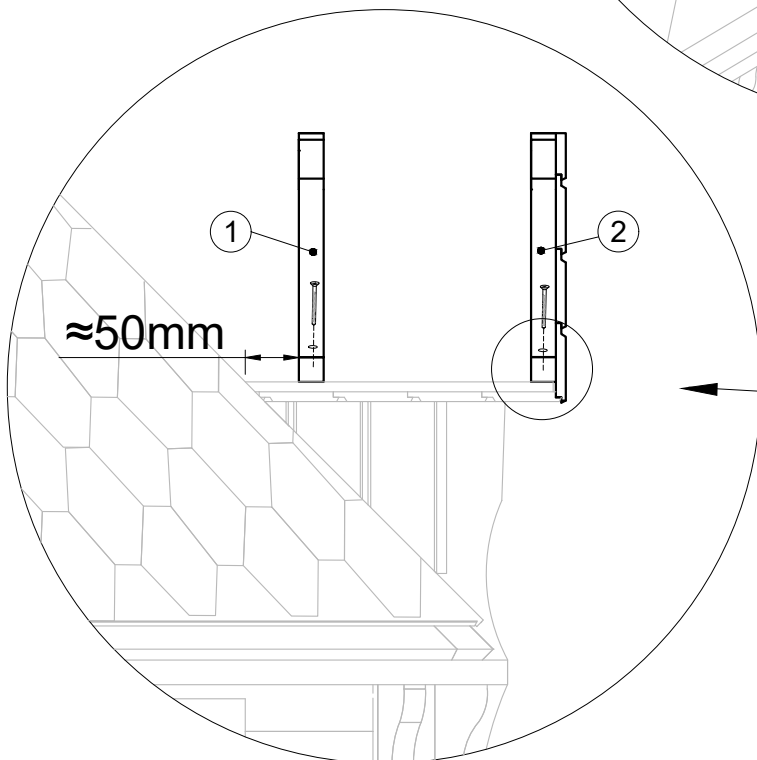
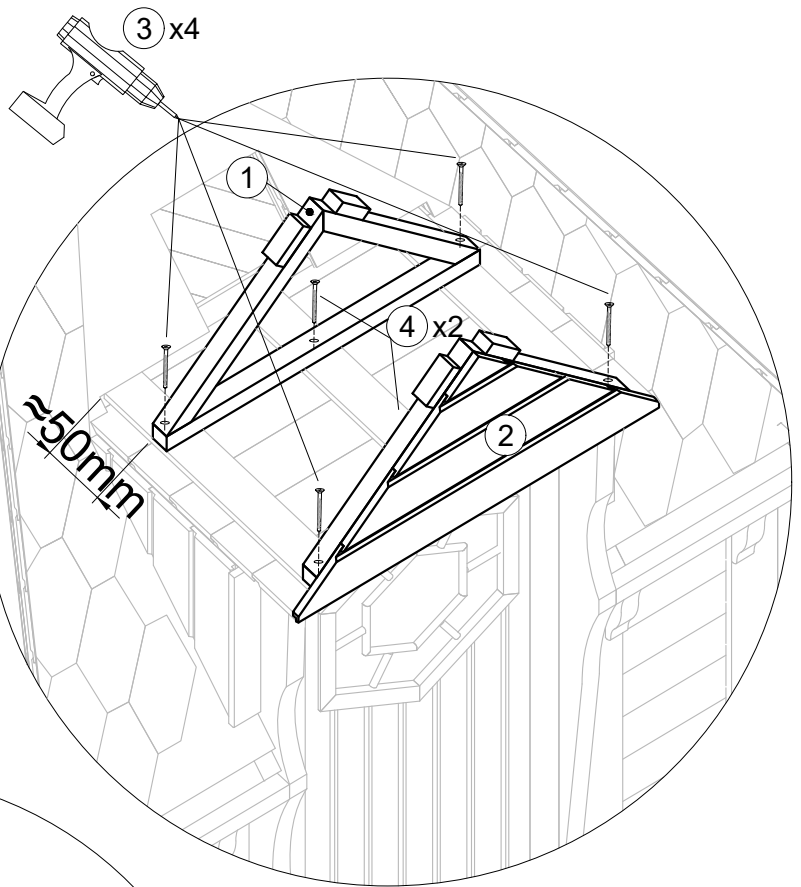
GR-Pr-trik-491x981
or
GR-Pr-trik-601x1202



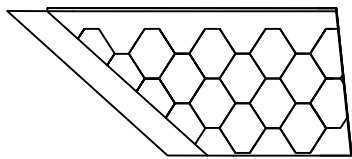
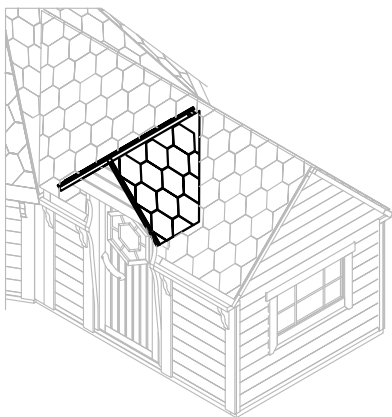
③ x4
T-GC-5x100



④ x2
T-GC-4x70

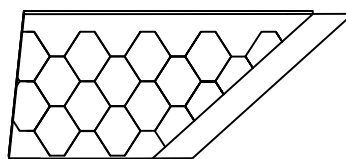


14.3 Extension ENTRANCE ASSEMBLY



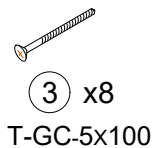
① x1

GR-Stog-845x1090-(k)
or
GR-Stog-1001x1070-(k)

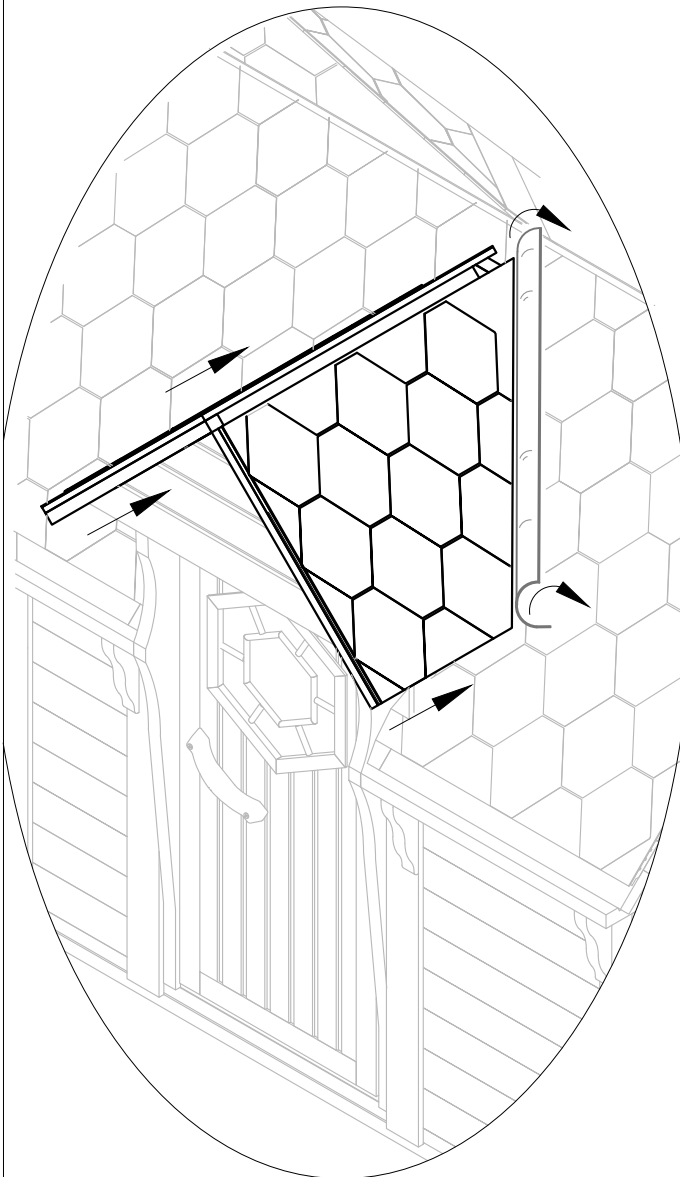


② x1

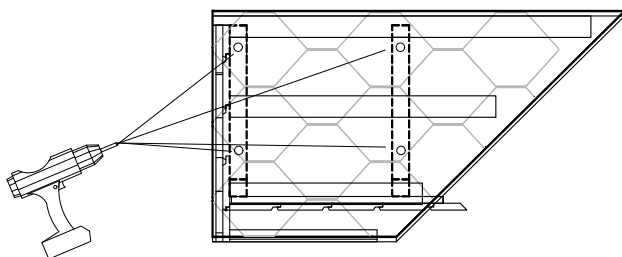
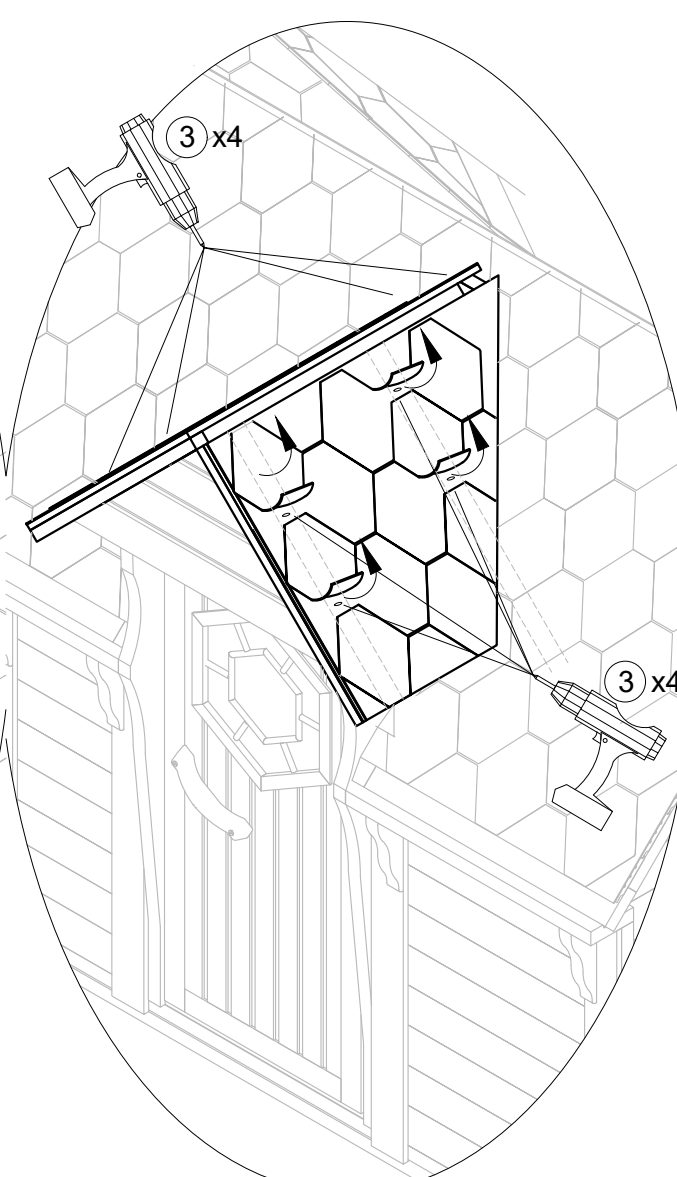
GR-Stog-845x1090-(d)
or
GR-Stog-1001x1070-(d)



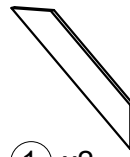
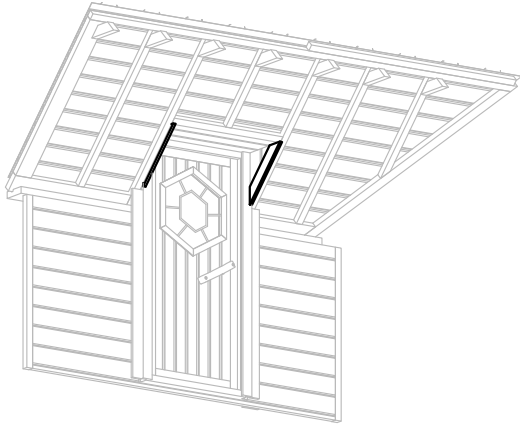
1 Step



2 Step



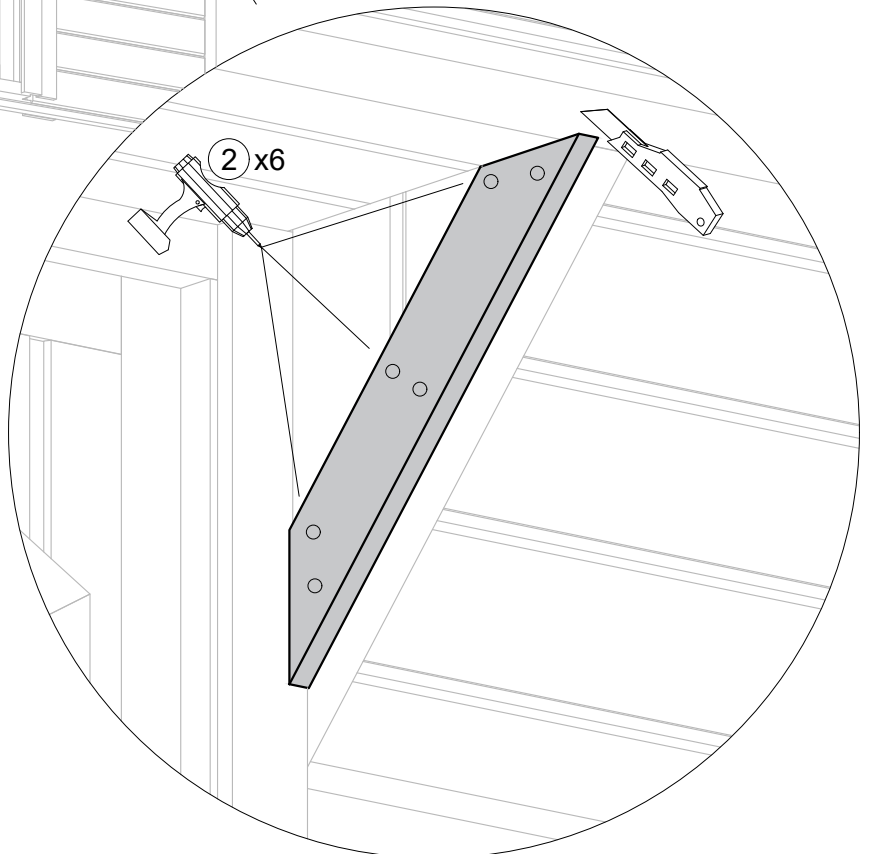
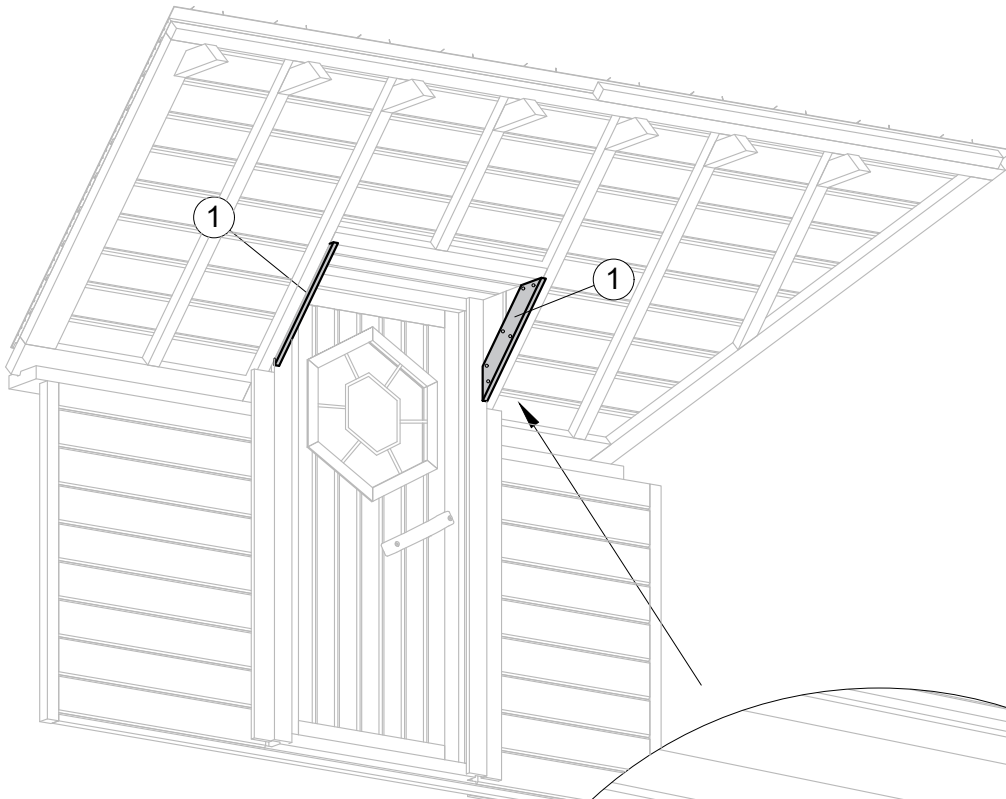
14.4 Extension ENTRANCE ASSEMBLY



① x2
M-18x83x488-F
or
M-18x95x318-F

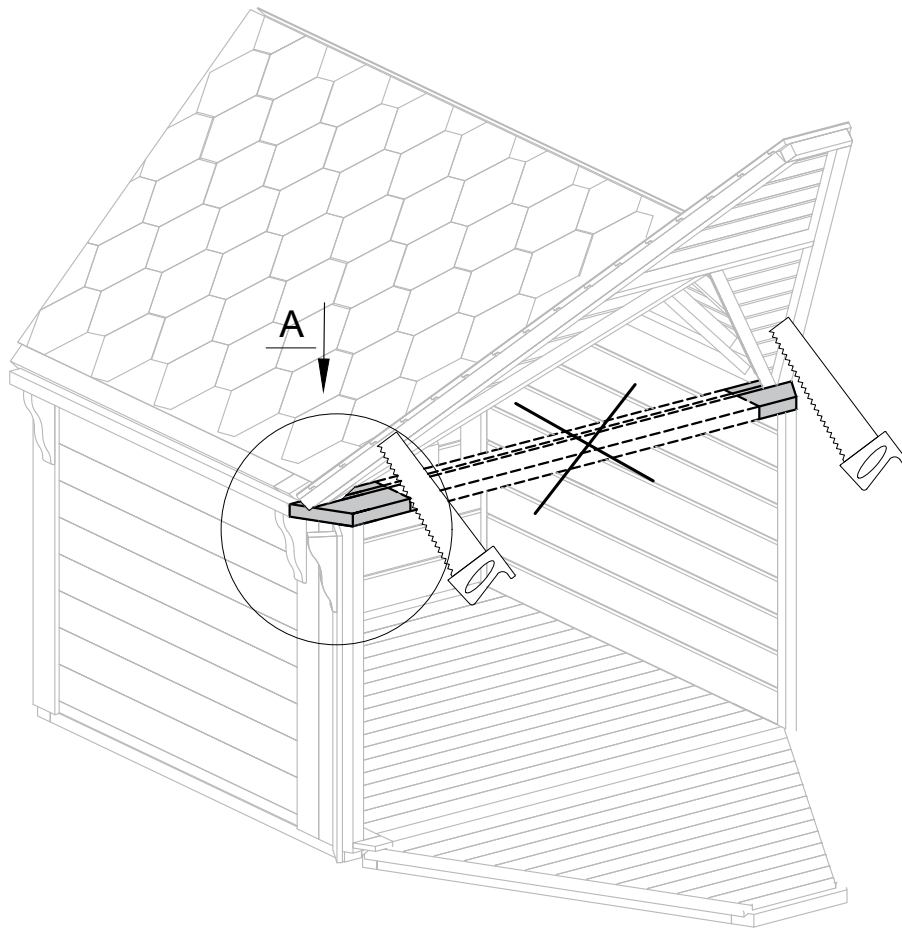


② x12
T-GC-3.5x45



② x6

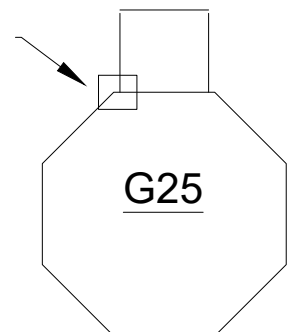
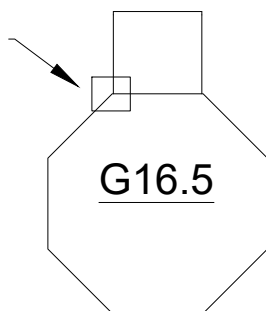
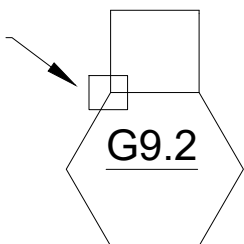
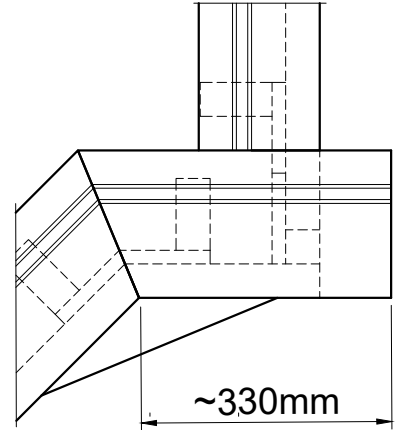
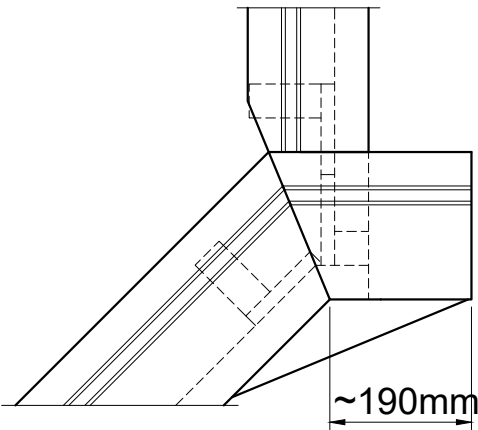
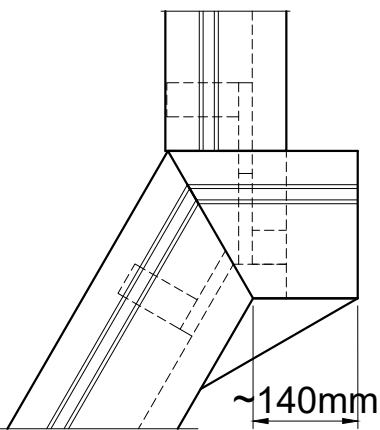
15. Extension



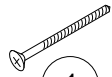
A

A

A

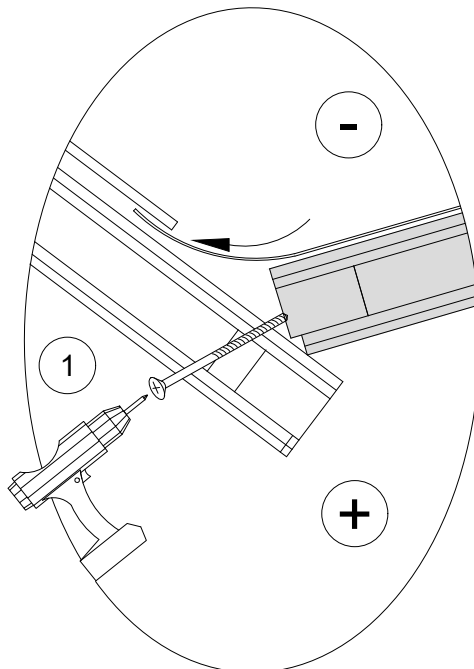
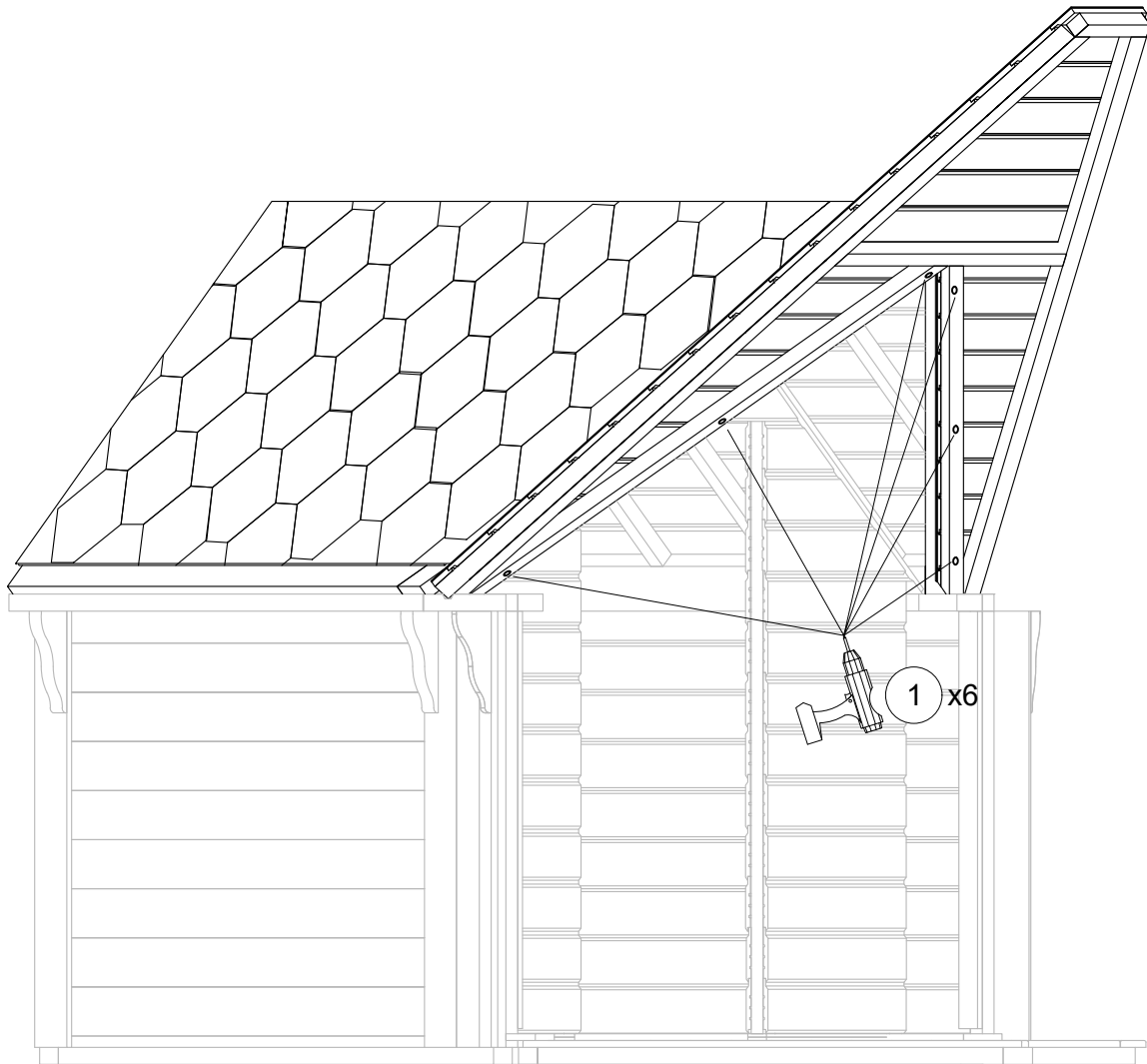


16. Extension ROOF FIX

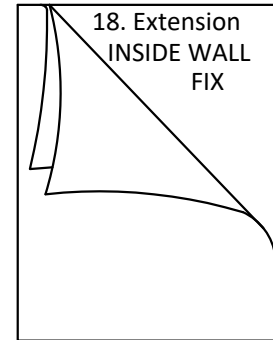
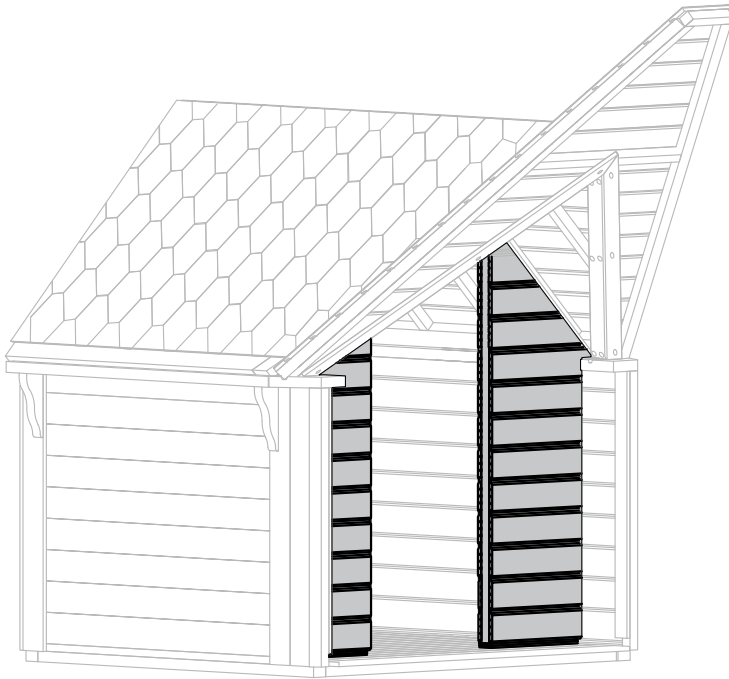


1 x6

T-GC-5x100

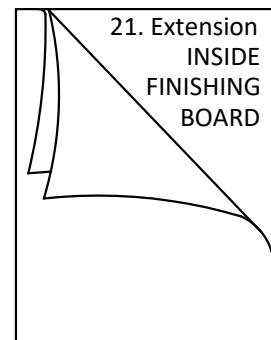
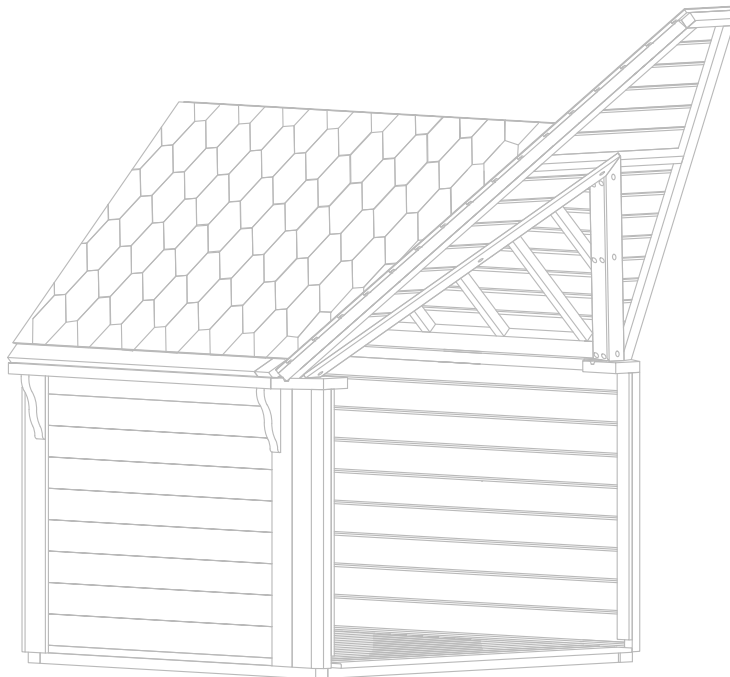


17. Extension



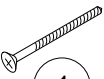
WITH INSIDE WALL

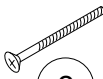
OR



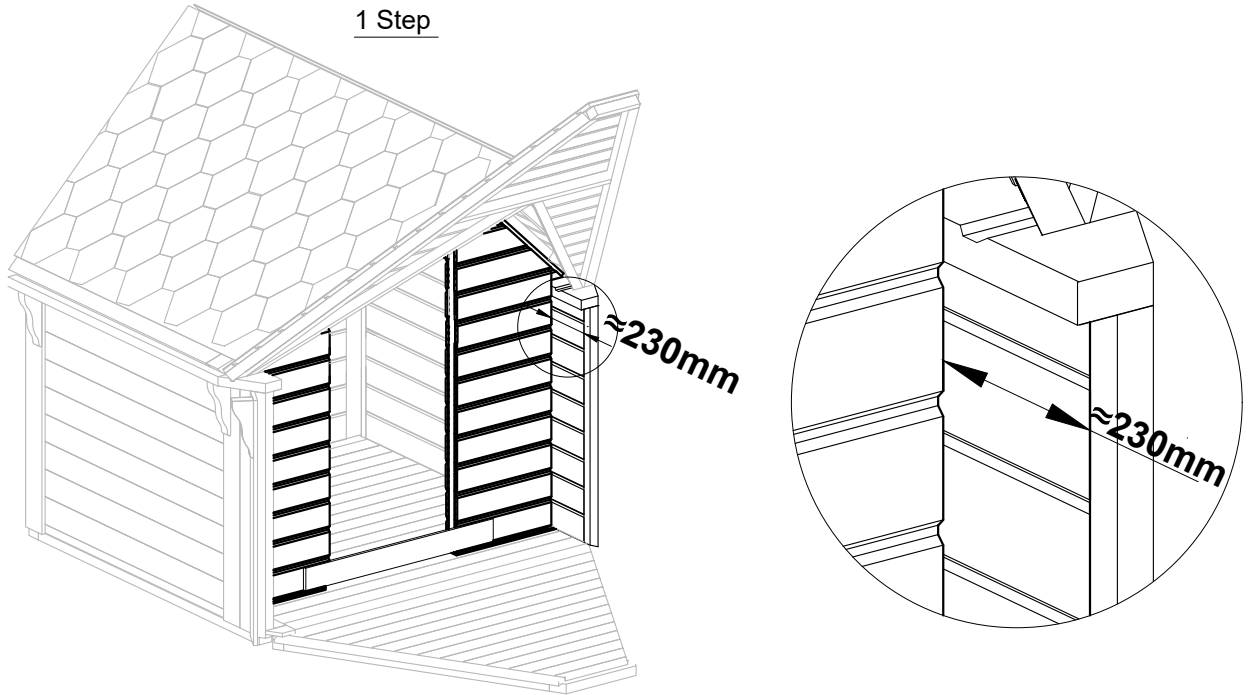
WITHOUT INSIDE WALL

18. Extension INSIDE WALL FIX

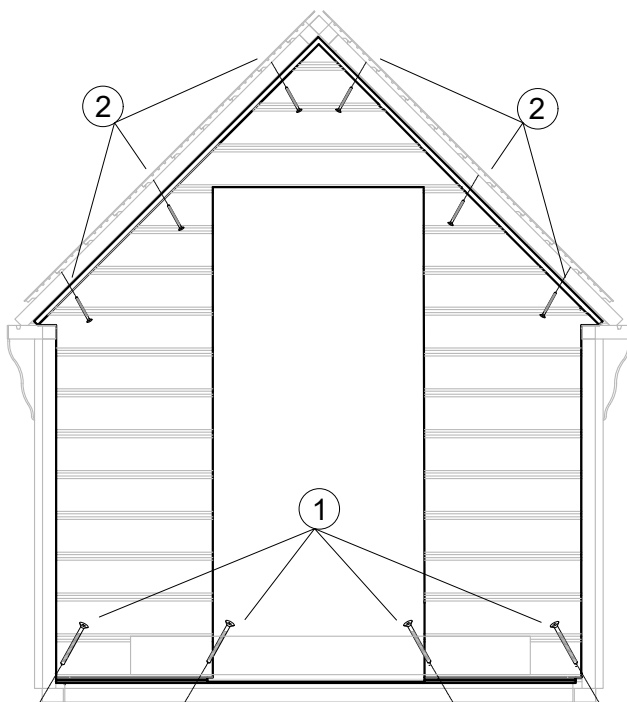

① x4
T-GC-5x100


② x6
T-GC-4x70

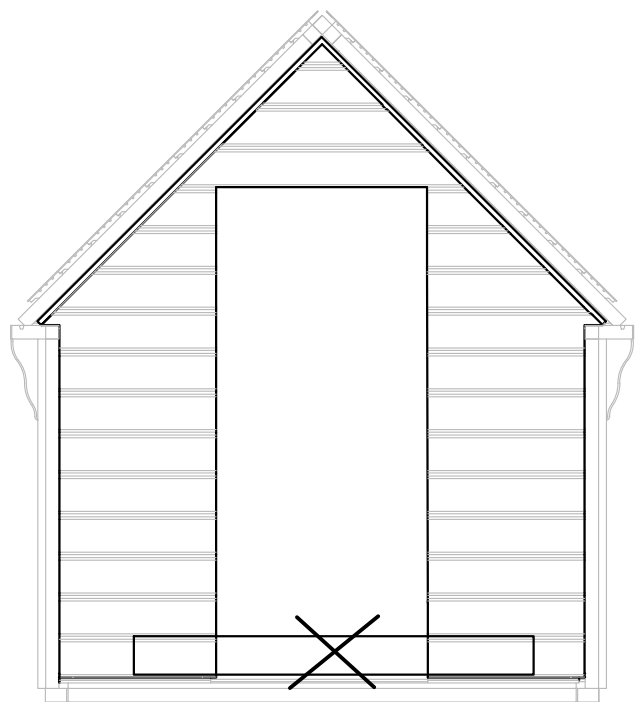
1 Step



2 Step



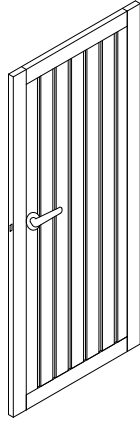
3 Step



19. Extension INSIDE DOOR

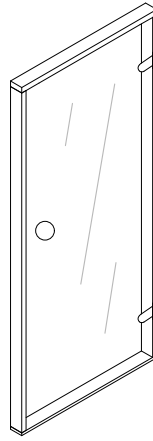
① x1

PUS00335
or
PUS00338
or
PUS00336
or
PUS00339



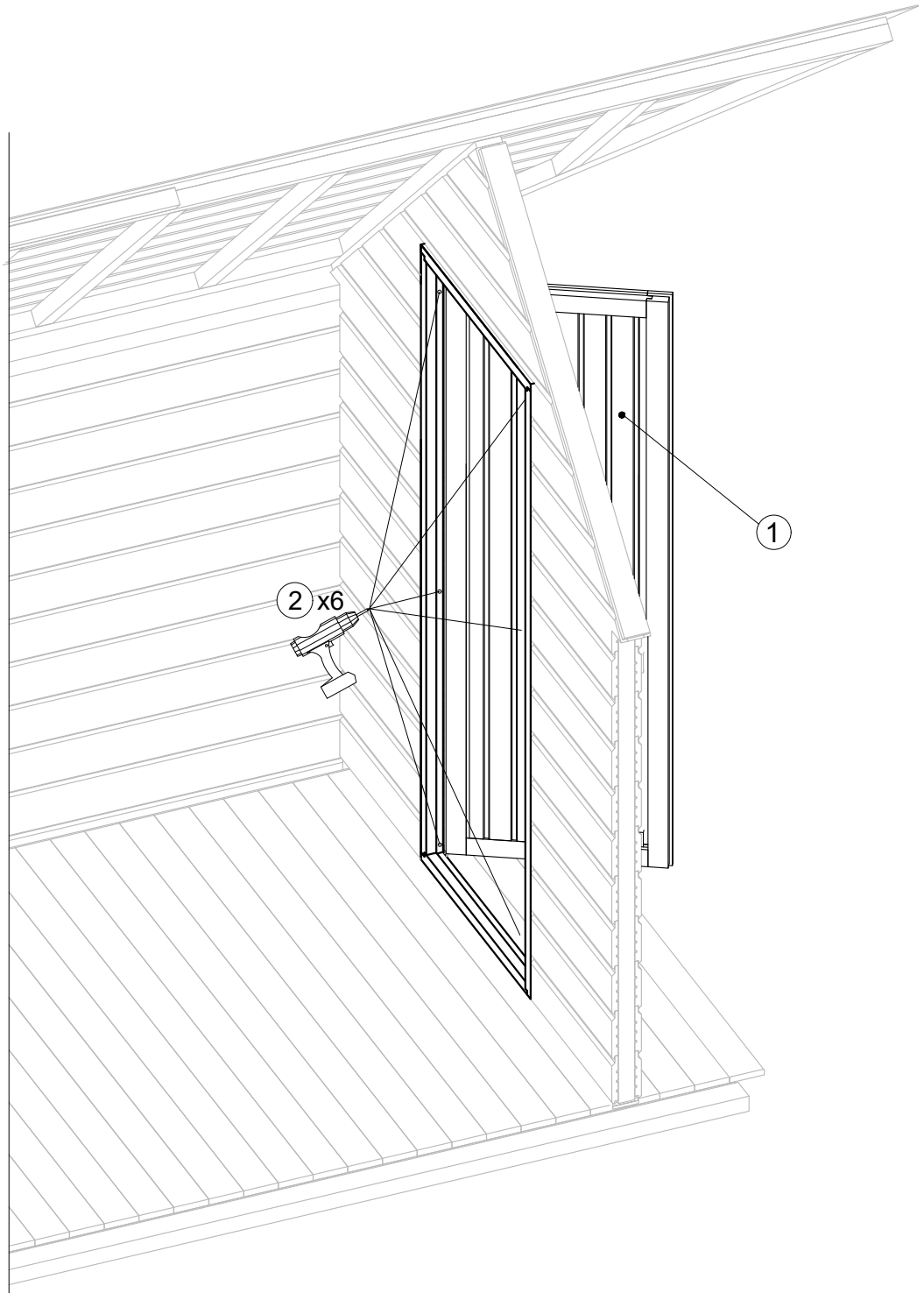
① x1

PUS00232
or
PUS00233

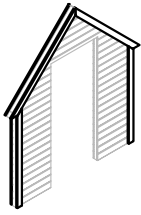


② x6

T-GC-5x100



20. Extension INSIDE WALL FINISHING BOARD



① x4

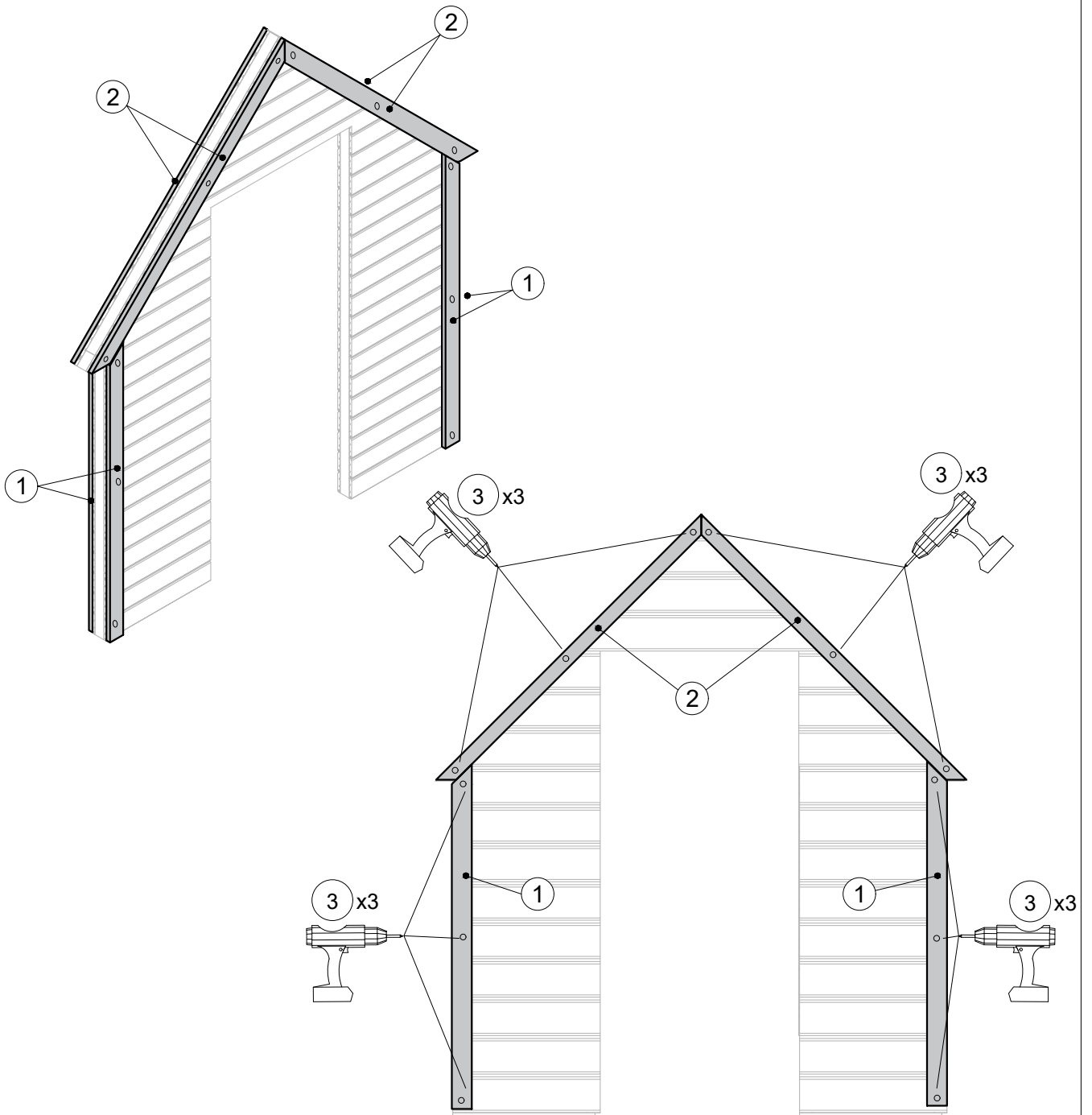
M-18x70x1210-F
or
M-18x70x1340-F
or
M-18x70x1470-F

② x4

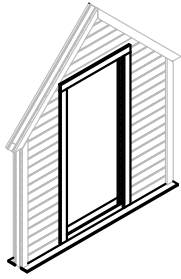
M-18x70x1350-F
or
M-18x50x1310-F



③ x24
T-GC-3.5x45

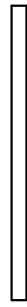


20.1 Extension INSIDE WALL FINISHING BOARD



① x2

M-18x70x1599



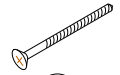
② x4

M-18x70x1640
or
M-18x70x1490
or
M-18x70x1840
or
M-18x70x1620



③ x2

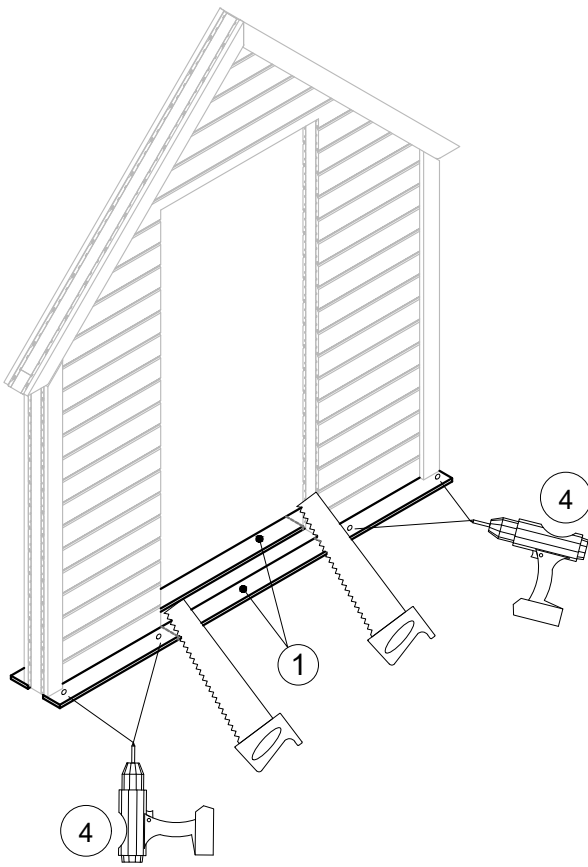
M-18x70x810
or
M-18x70x1120



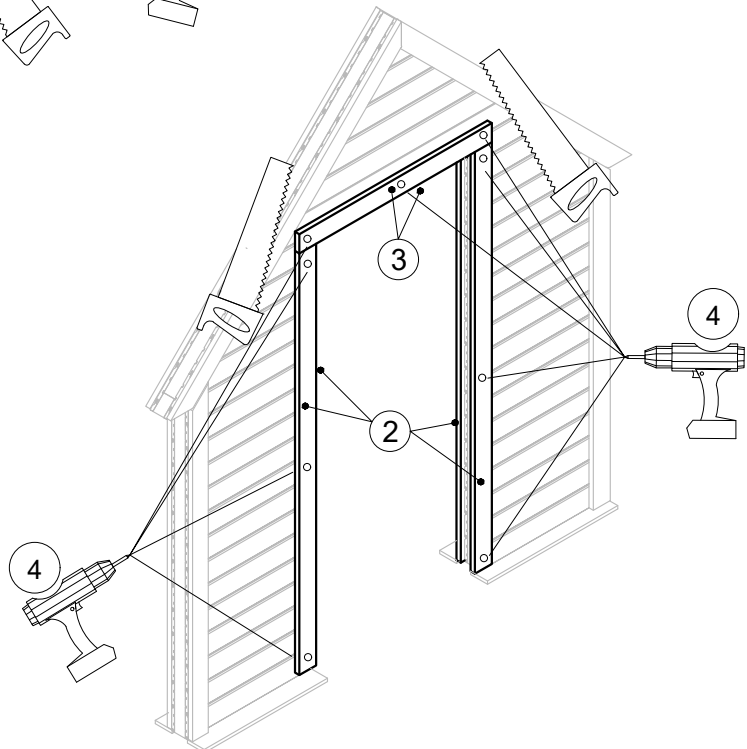
④ x46

T-GC-3.5x45

1 Step



2 Step

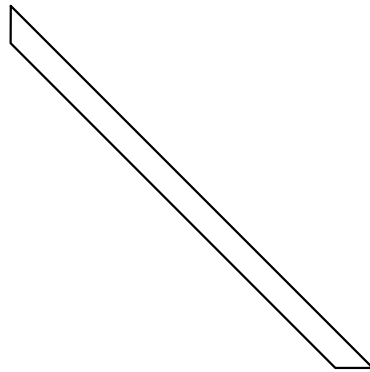


21. Extension INSIDE FINISHING BOARD



① x2

M-18x70x1210-F
or
M-18x70x1340-F
or
M-18x70x1470-F

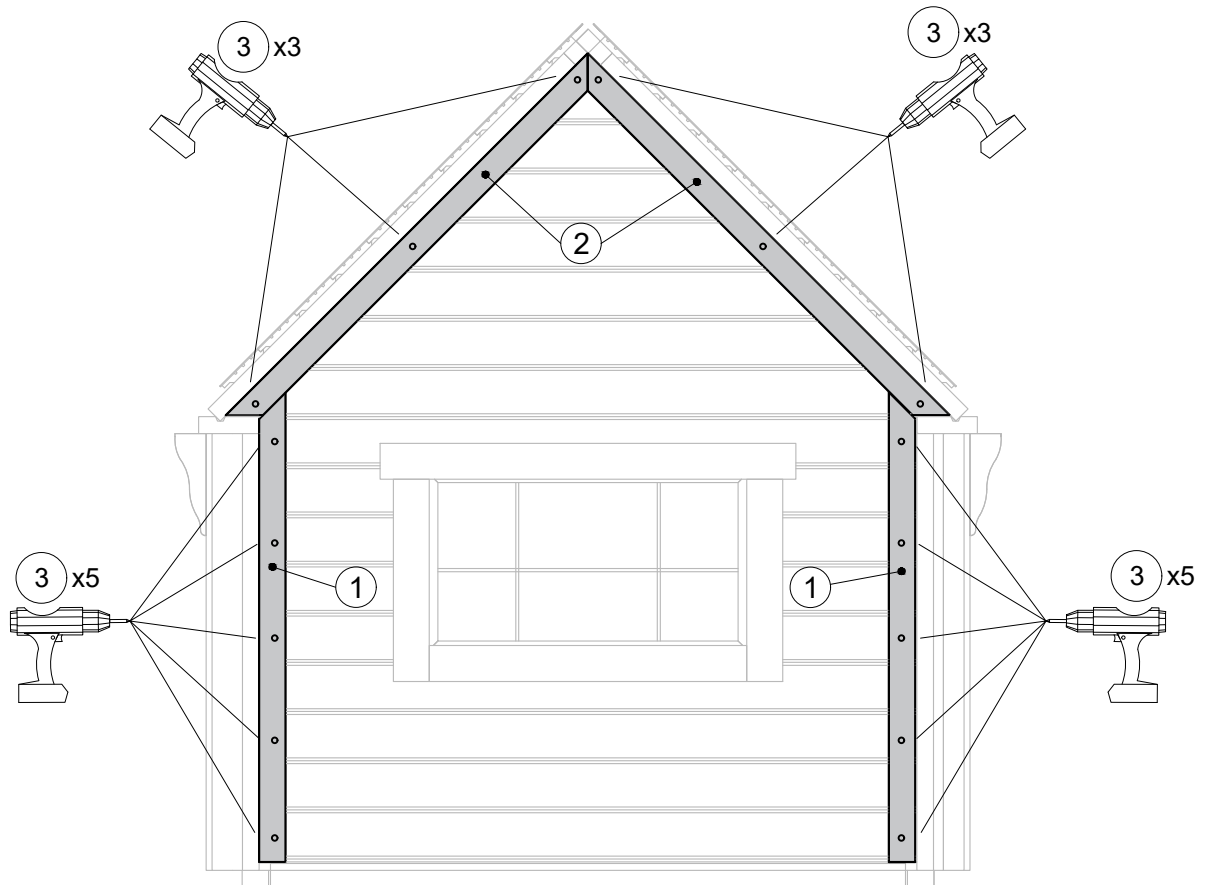


② x2

M-18x70x1355-F
or
M-18x50x1320-F



③ x16
T-GC-3.5x45



22. Extension INSIDE FINISHING BOARD



① x4

M-18x70x1105
or
M-18x70x1235
or
M-18x70x1365

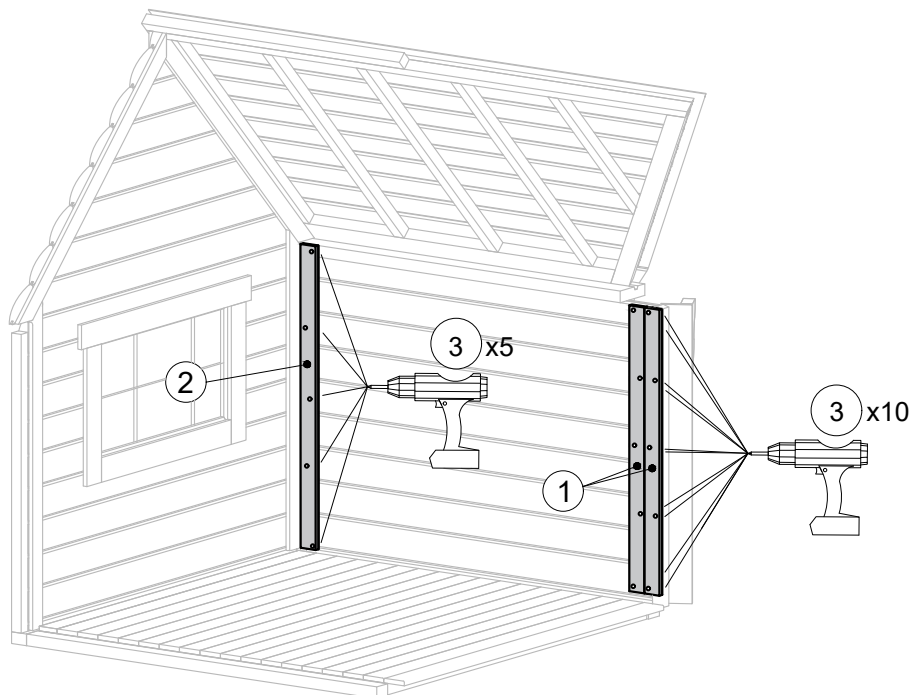
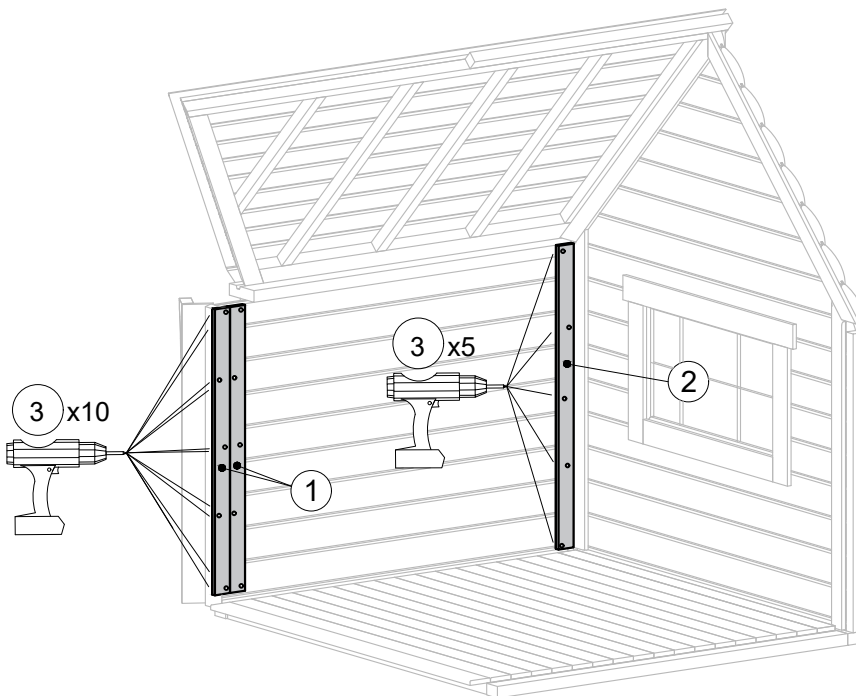


② x2

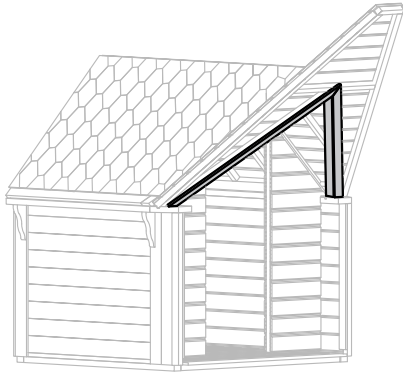
M-18x70x1150
or
M-18x70x1280
or
M-18x70x1410



③ x30
T-GC-3.5x45



23. Extension INSIDE FINISHING BOARD



① x2

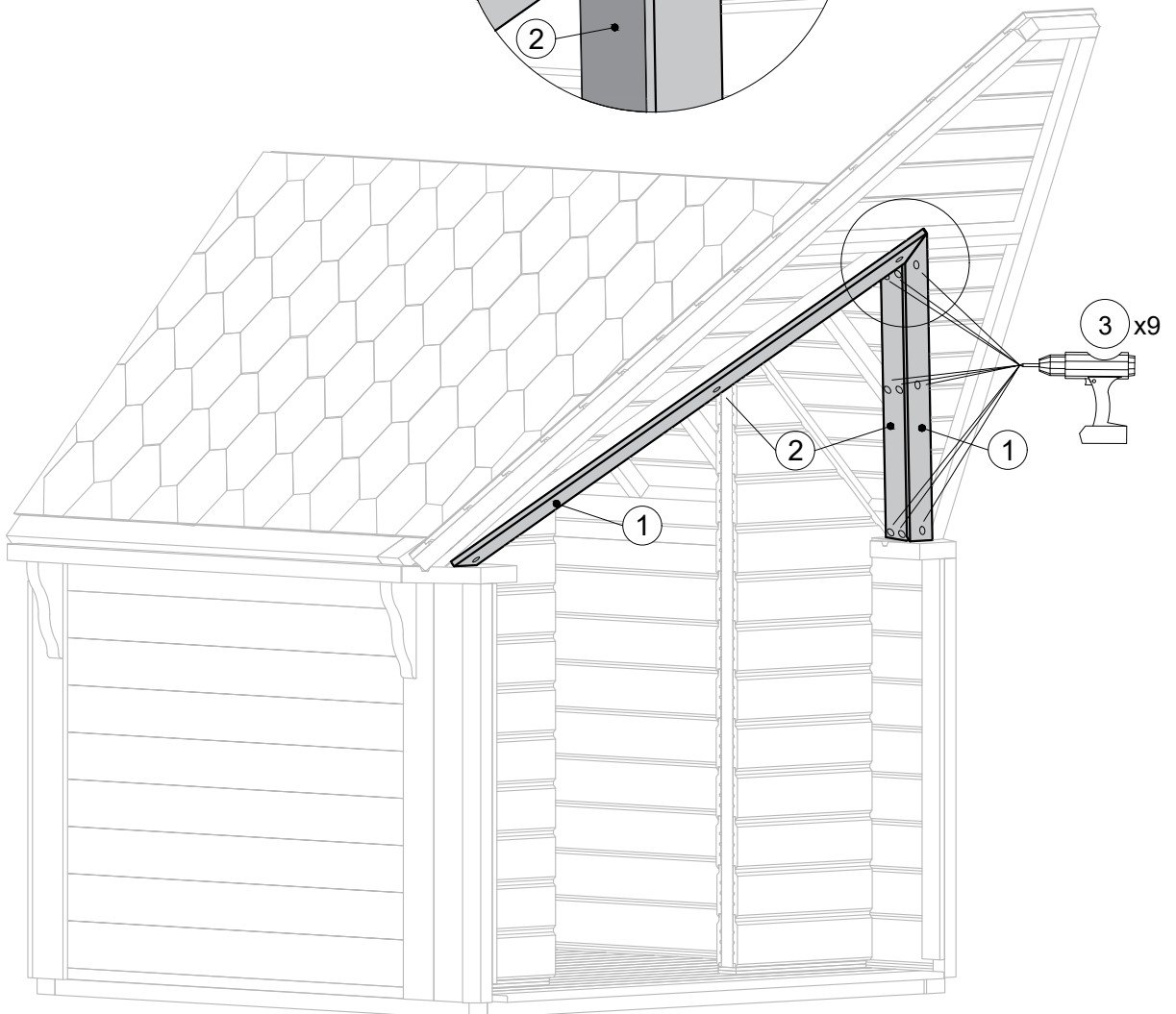
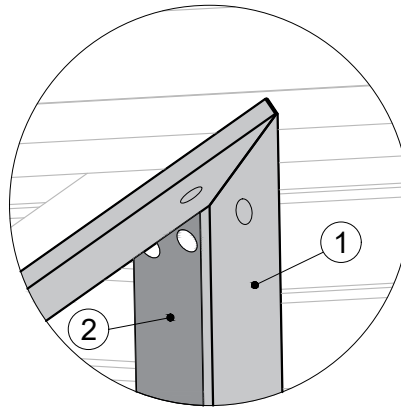
M-18x70x1580-F
or
M-18x70x1565-F

② x2

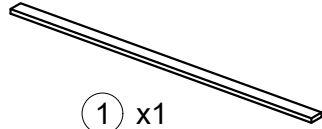
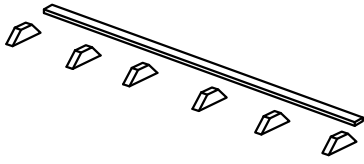
M-18x120x1610-F
or
M-18x120x1595-F



③ x18
T-GC-3.5x45



24. Extension INSIDE FINISHING BOARD



① x1

M-18x70x2400
or
M-18x70x3200
or
M-18x70x3700

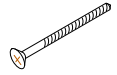


② x 7 (3m²)
or

② x 9 (4.3m²)
or

② x 10 (5.2m²)

M-45x70x250-F

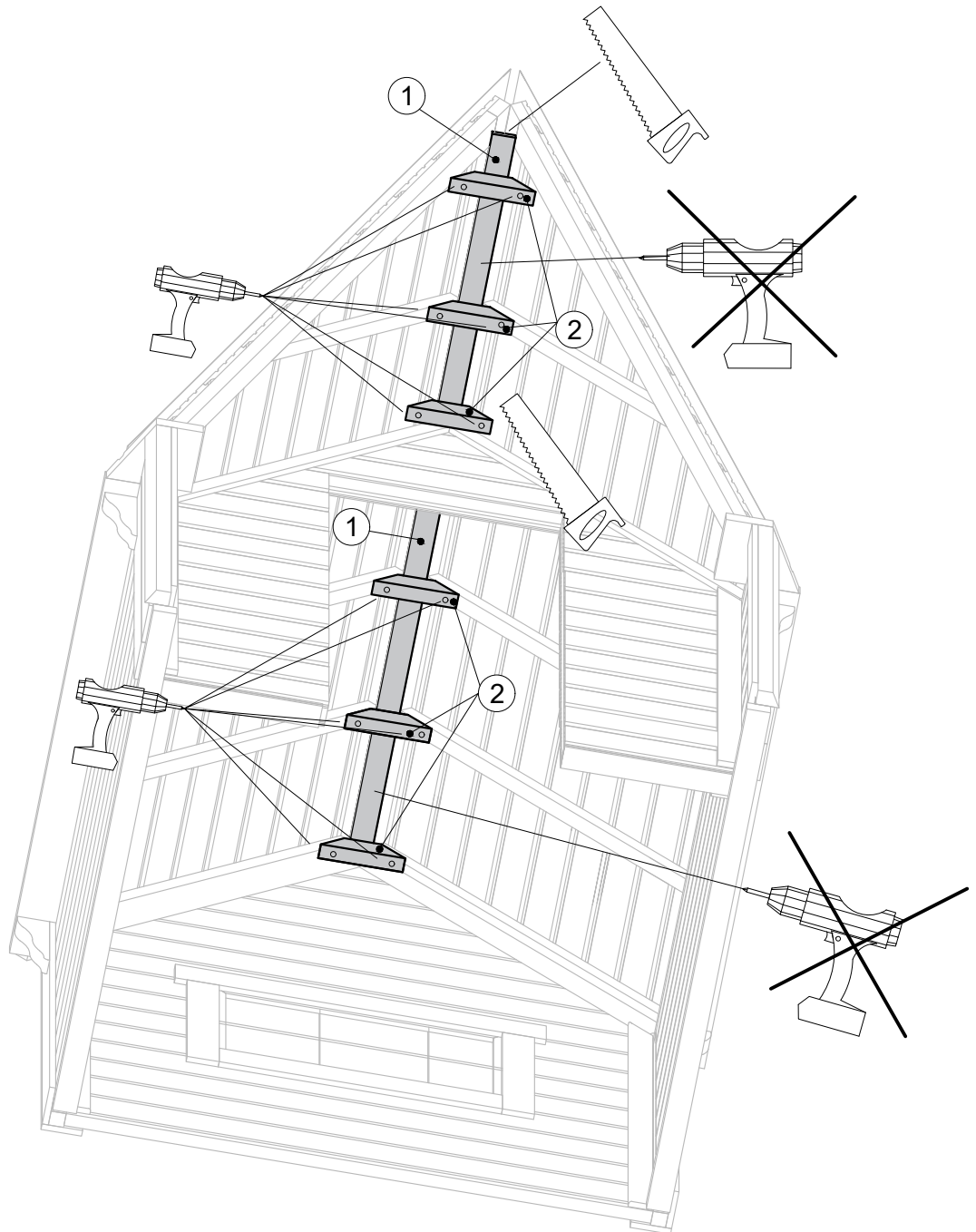


③ x 14 (3m²)
or

③ x 18 (4.3m²)
or

③ x 20 (5.2m²)

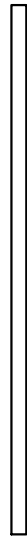
T-GC-5x80



25. Extension FLOOR FINISHING BOARD

① x2

M-18x70x1700
or
M-18x70x2500
or
M-18x70x3000

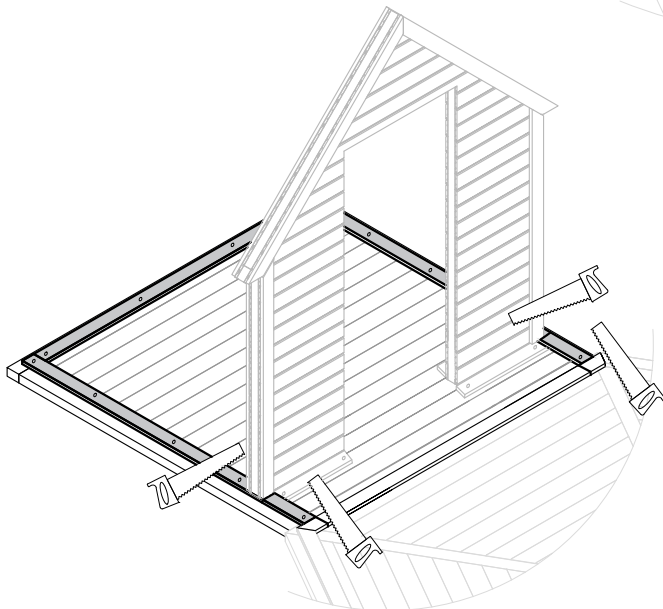
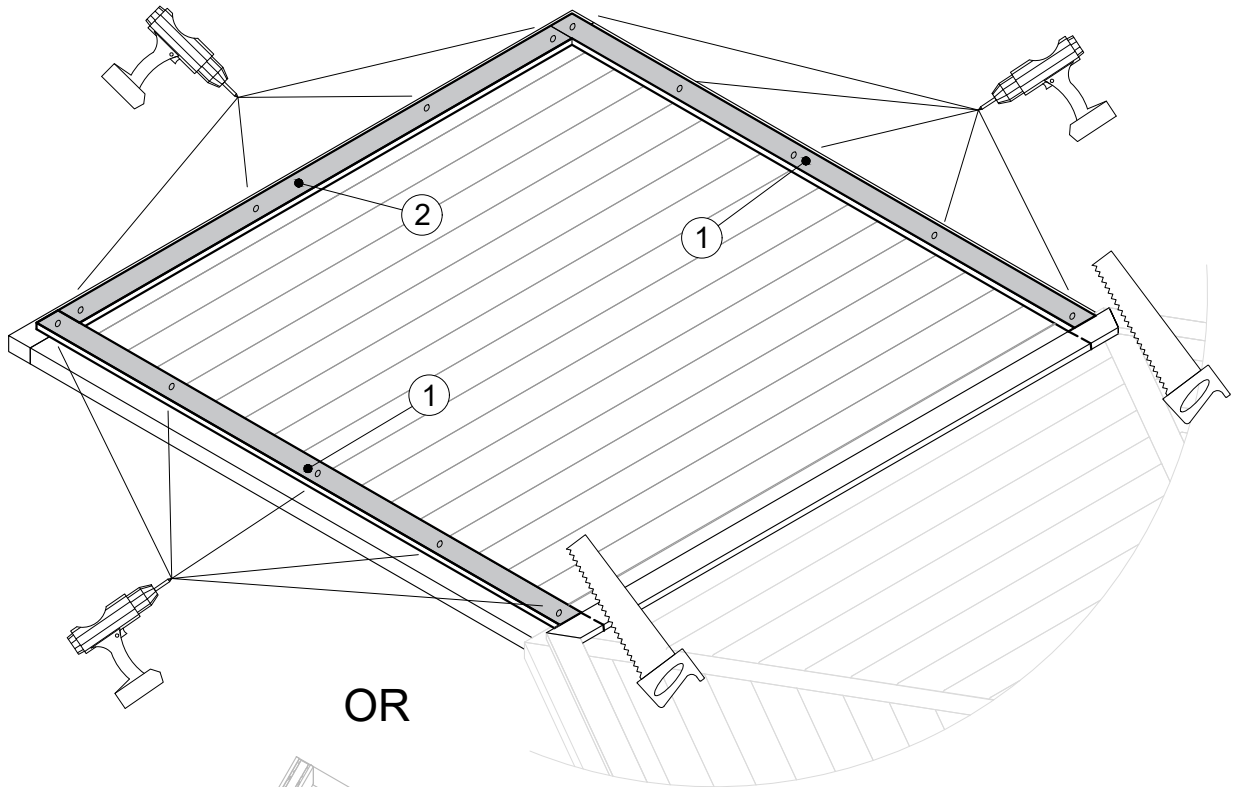


② x1

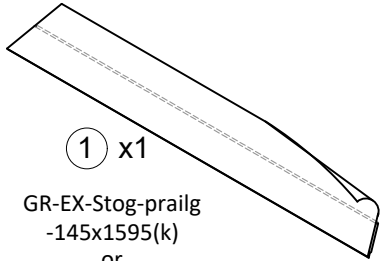
M-18x70x1599



③ x24
T-GC-3.5x45



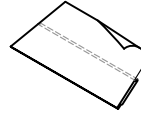
26. Extension ROOF FINISHING



① x1

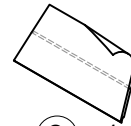
GR-EX-Stog-prailg
-145x1595(k)
or
GR-EX-Stog-prailg
-145x2395(k)
or
GR-EX-Stog-prailg
-145x2895(k)

OR

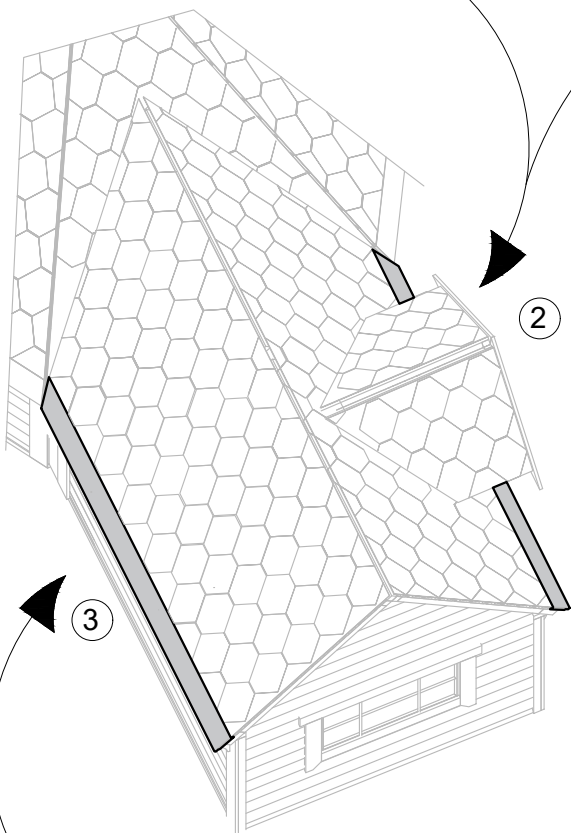


② x1

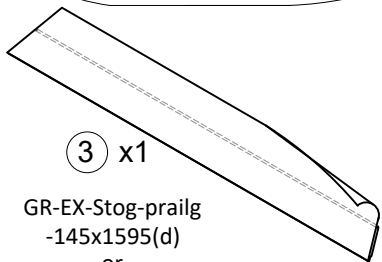
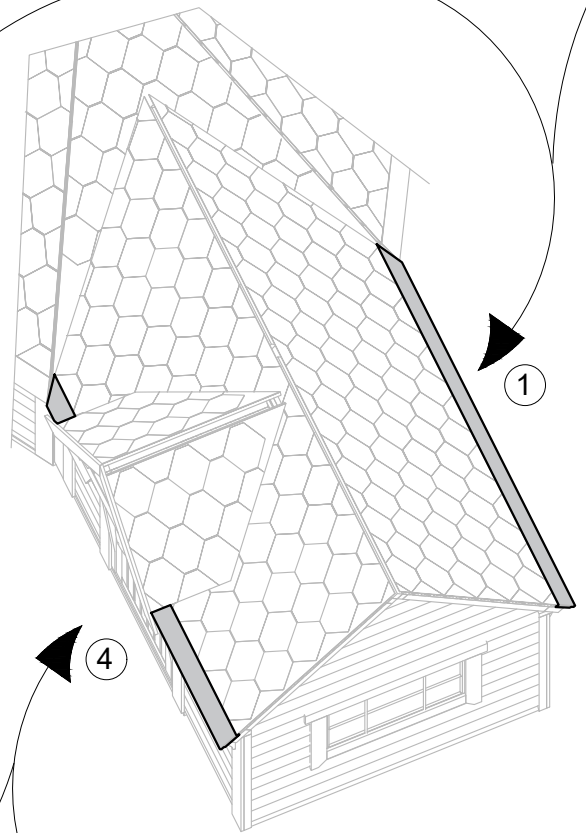
GR-EX-StogD-prailg-648;948-A850(k)
or
GR-EX-StogD-prailg-648;728-A1070(k)
or
GR-EX-StogD-prailg-648;1448-A850(k)
or
GR-EX-StogD-prailg-648;1228-A1070(k)



② x1



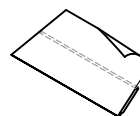
OR



③ x1

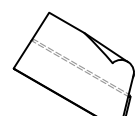
GR-EX-Stog-prailg
-145x1595(d)
or
GR-EX-Stog-prailg
-145x2395(d)
or
GR-EX-Stog-prailg
-145x2895(d)

OR



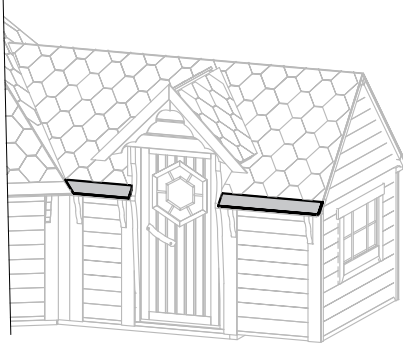
④ x1

GR-EX-StogD-prailg-648;948-A850(d)
or
GR-EX-StogD-prailg-648;728-A1070(d)
or
GR-EX-StogD-prailg-648;1448-A850(d)
or
GR-EX-StogD-prailg-648;1228-A1070(d)

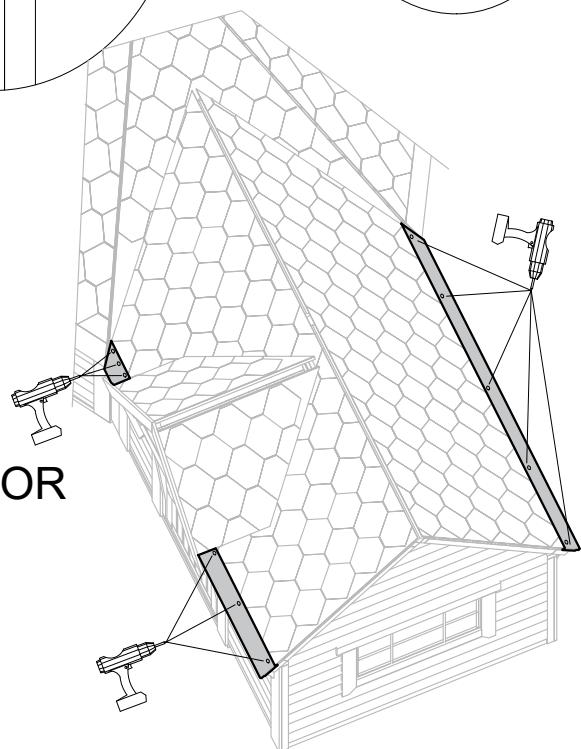
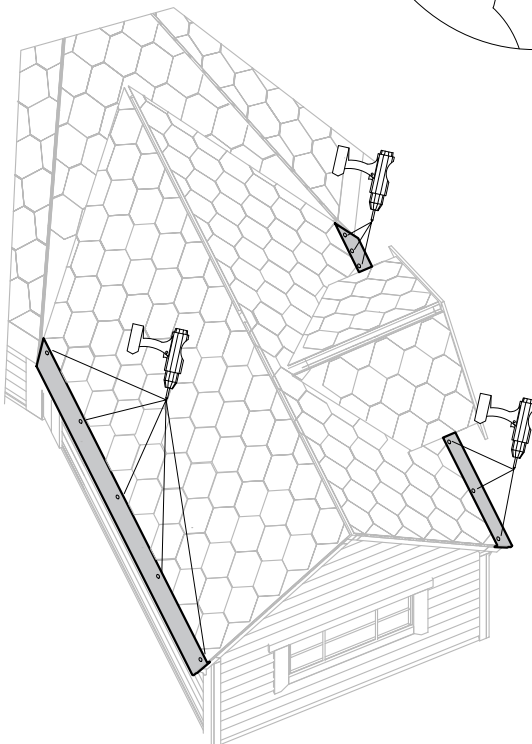
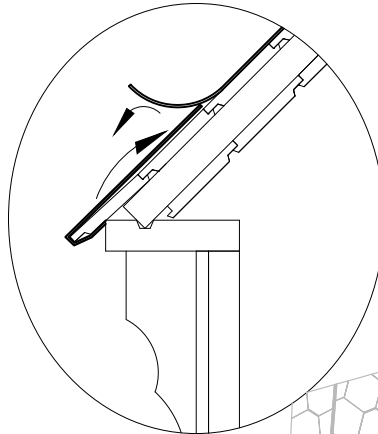
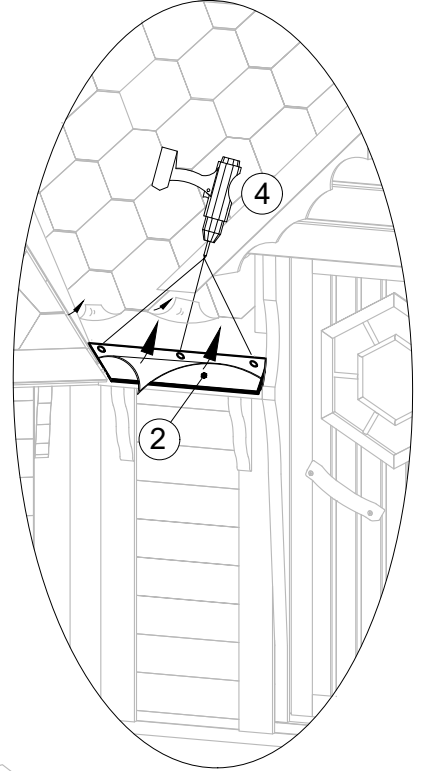
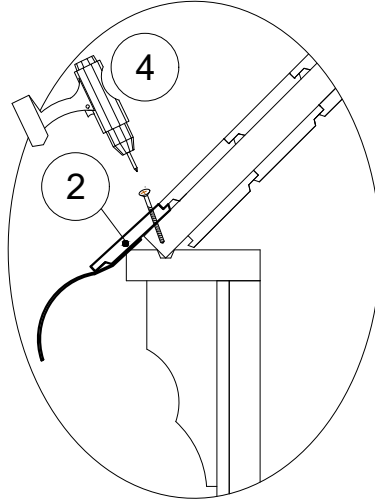
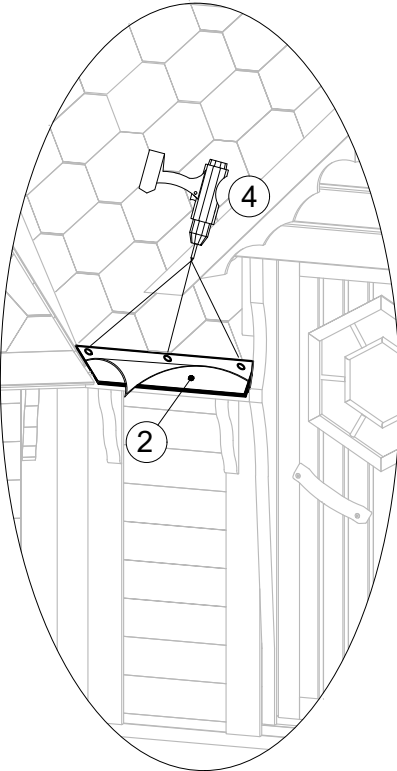


④ x1

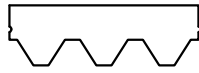
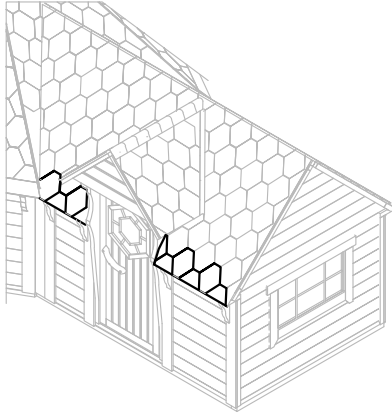
26.1 Extension ROOF FINISHING



① x10
T-BC-4x50

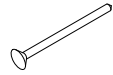


26.2 Extension ROOF FINISHING



① x8

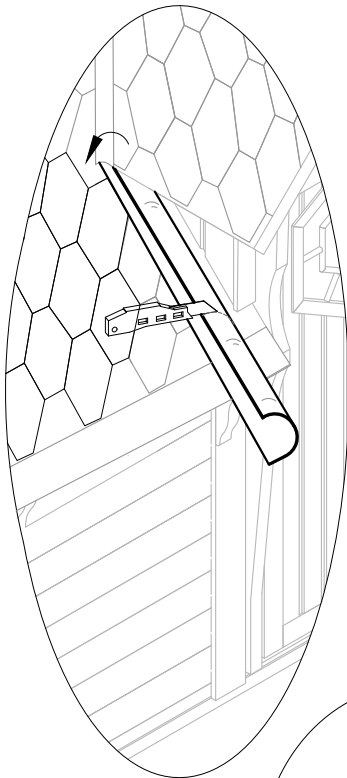
Bitumes-cerpes
-3x317x1000



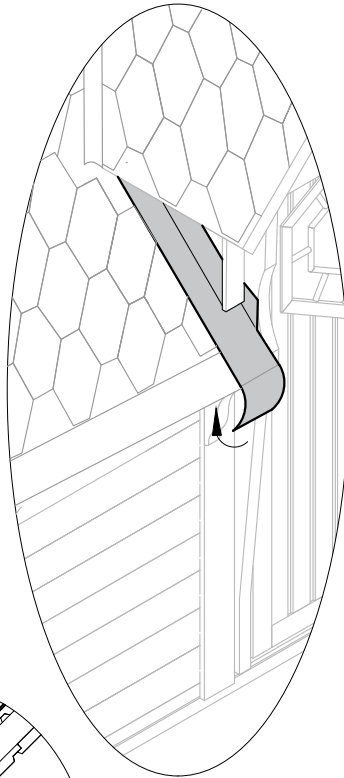
② x160

T-V-2x20

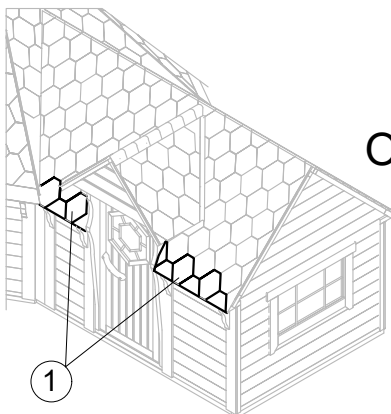
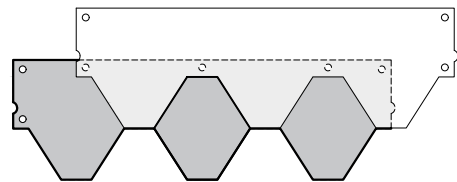
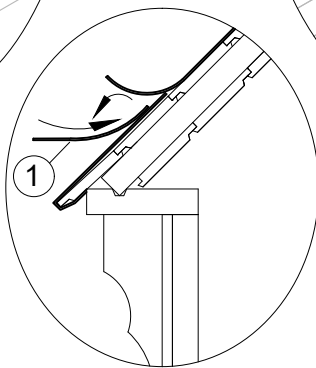
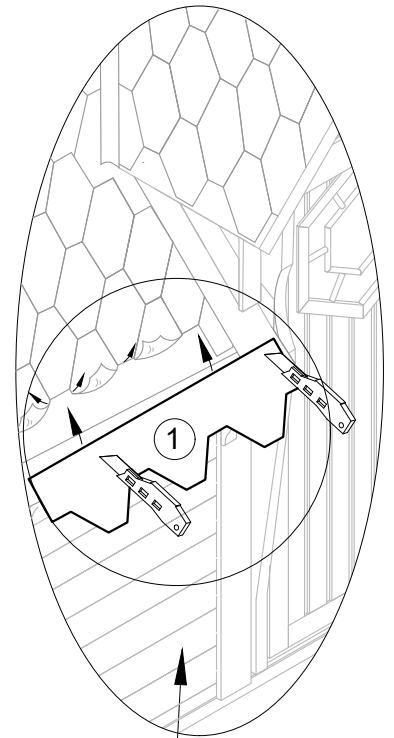
1 Step



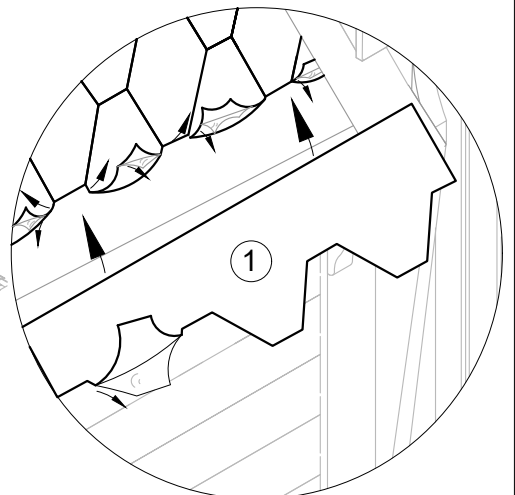
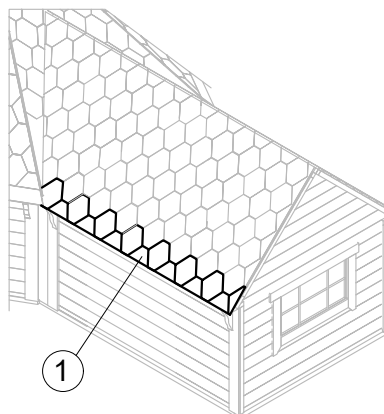
2 Step



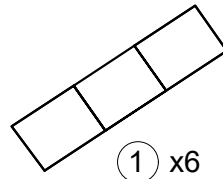
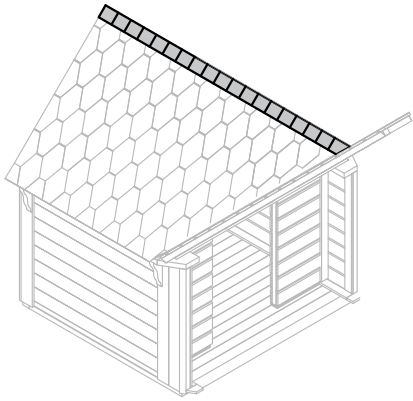
3 Step



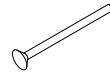
OR



26.3 Extension ROOF FINISHING



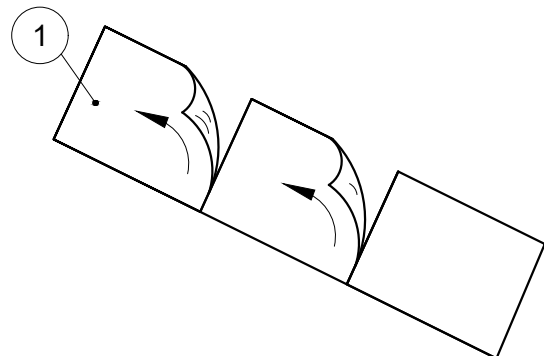
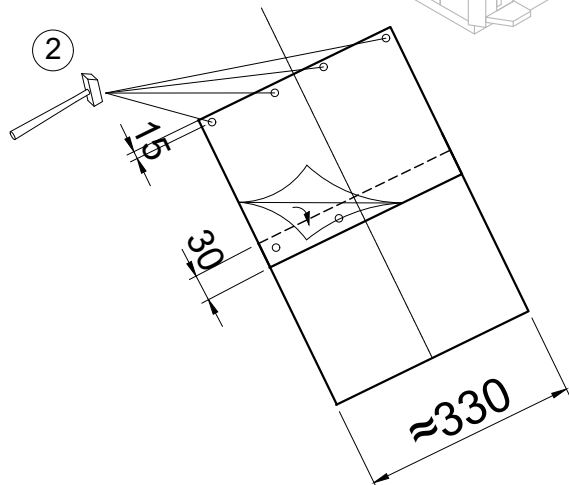
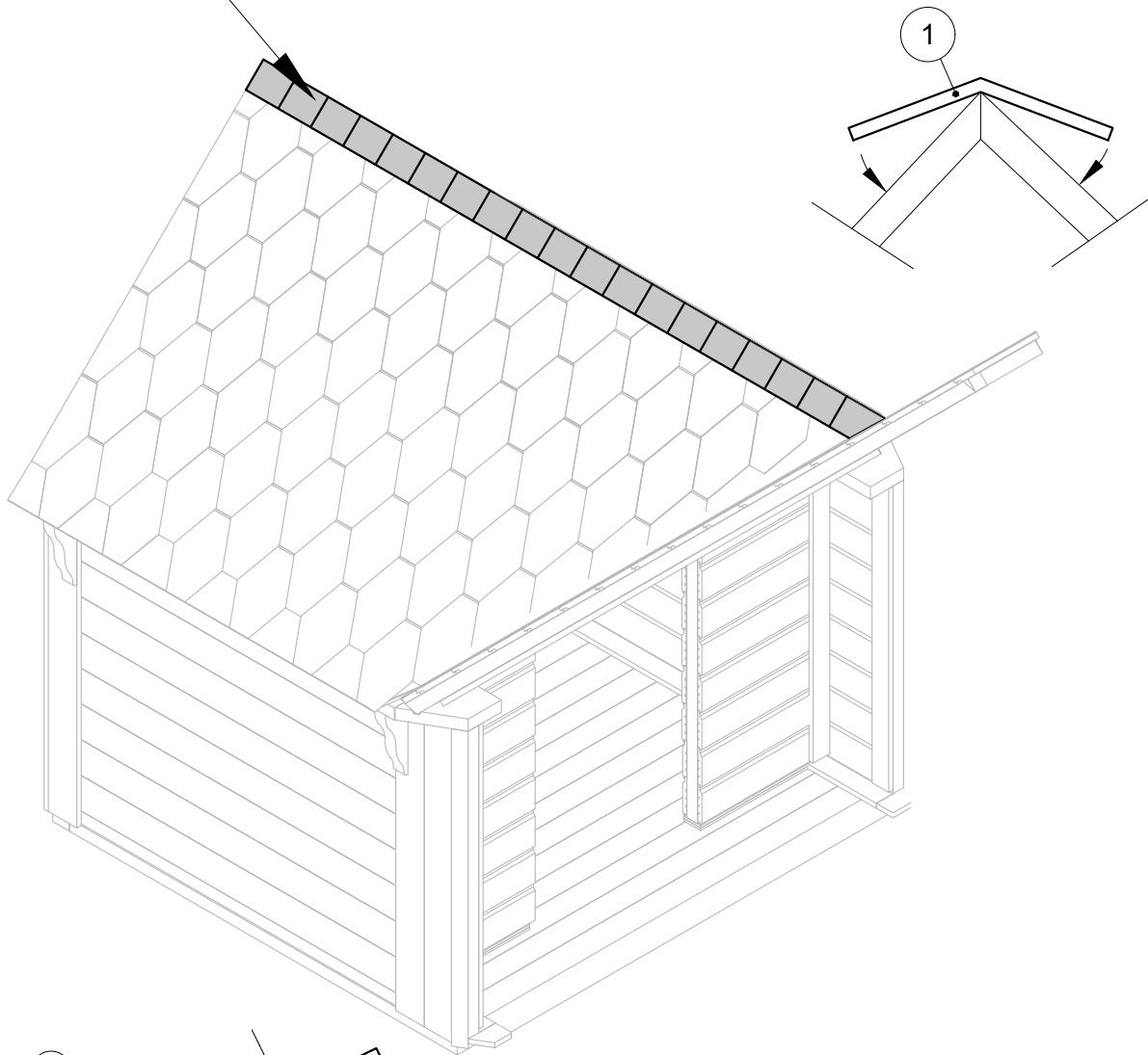
Bitumines-
cerpes-3x1000x250



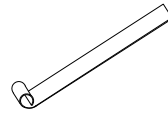
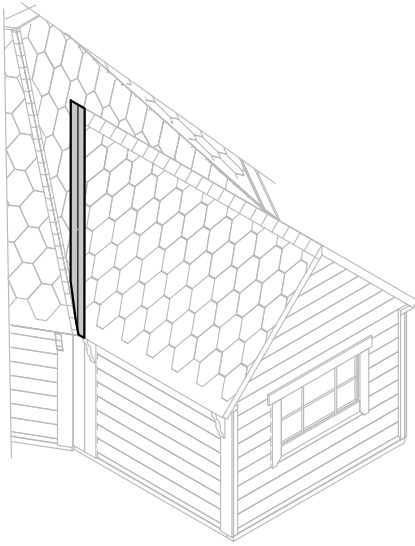
② x 160

T-V-2x20

Start

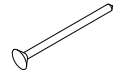


26.4 Extension ROOF FINISHING



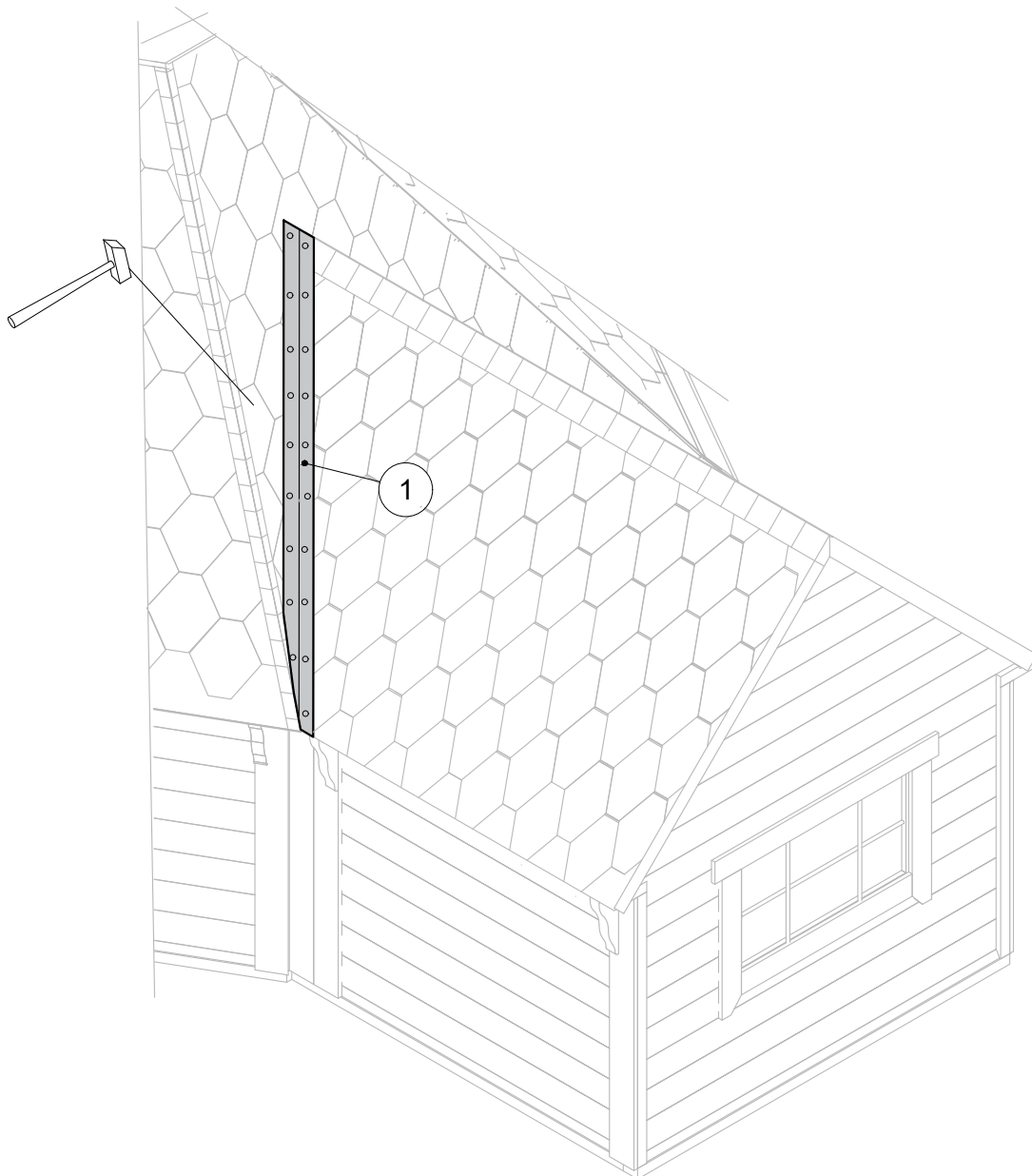
① x2

Bitumine-
juosta-3x200x2500

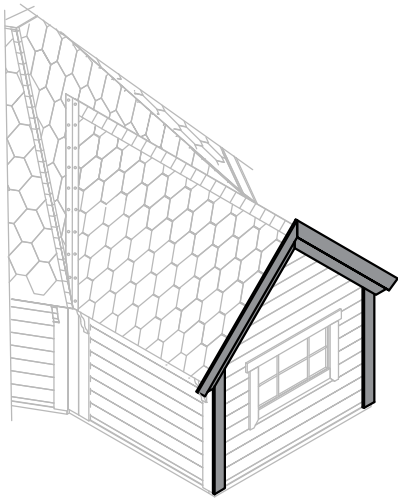


② x 50

T-V-2x20



27. Extension OUTSIDE FINISHING BOARD



① x2

M-18x120x1213-F
or
M-18x120x1343-F
or
M-18x120x1473-F

② x2

M-18x95x1534-F

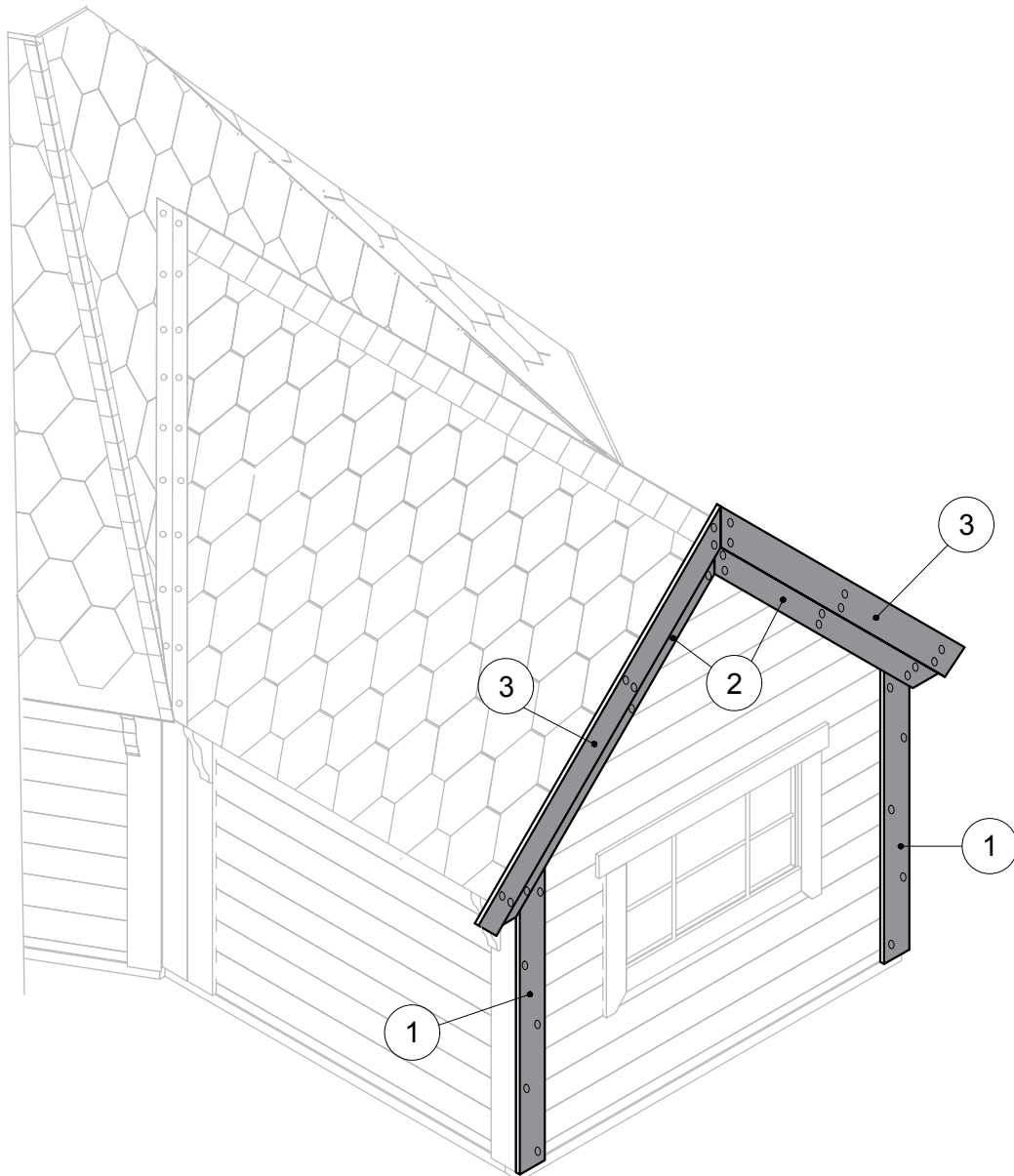
③ x2

M-18x120x1640-F

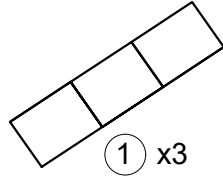
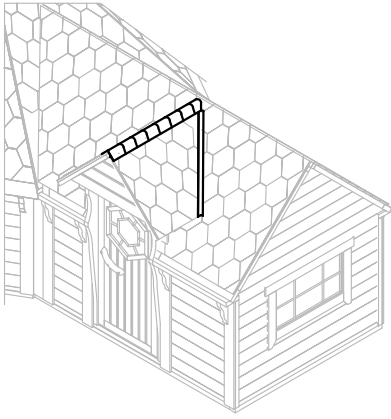


④ x35

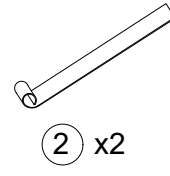
T-BC-4x50



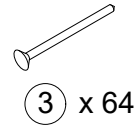
28. Extension ENTRANCE ROOF FINISHING



Bitumines-
cerpes-3x1000x250

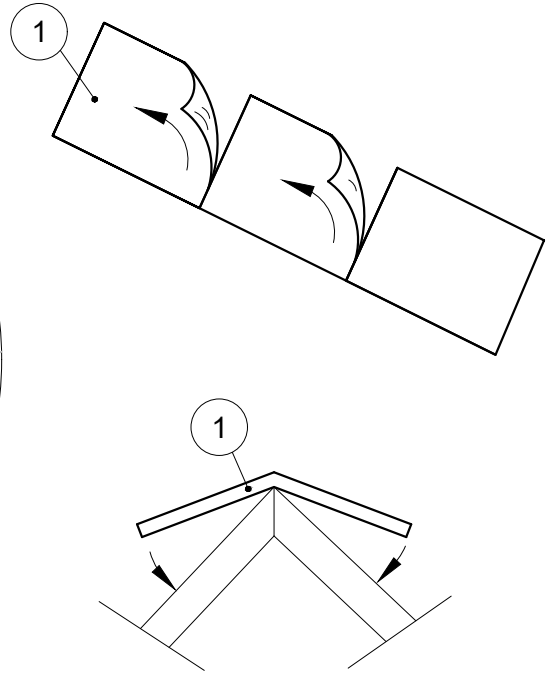
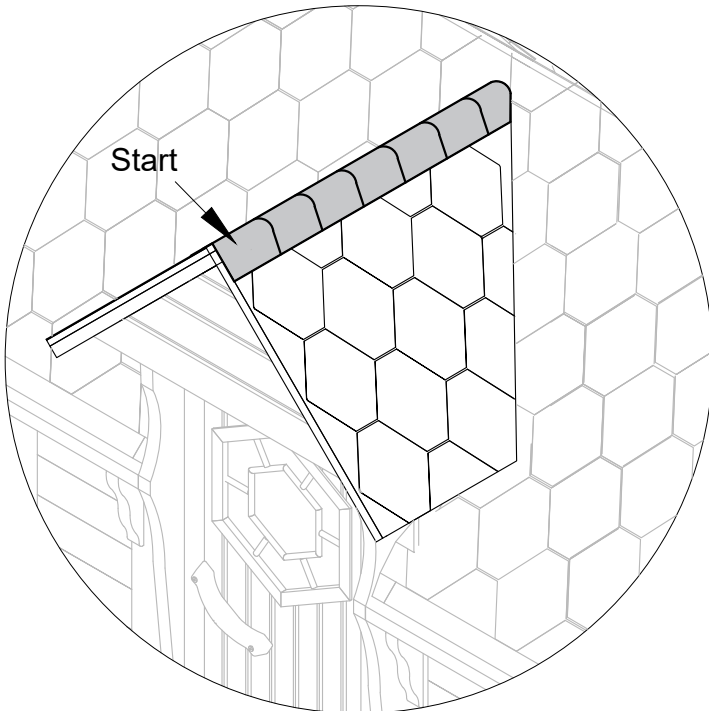


Bitumine-
juosta-3x70x1360
or
Bitumine-
juosta-3x70x1550

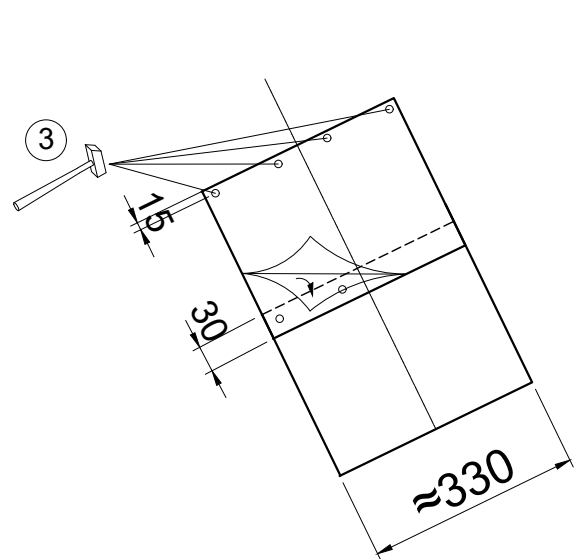
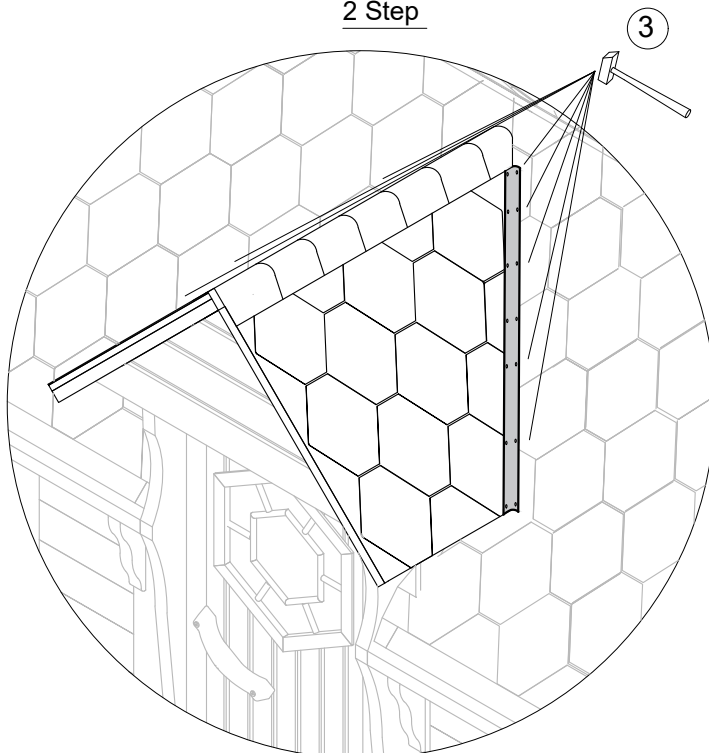


T-V-2x20

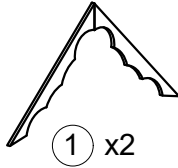
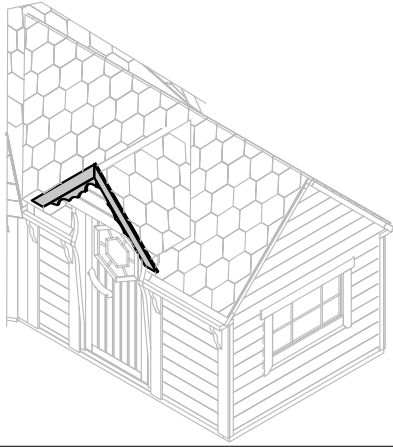
1 Step



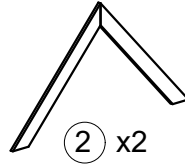
2 Step



29. Extension OUTSIDE FINISHING BOARD



① x2
M-18x95x820-CNC
or
M-18x95x981-CNC

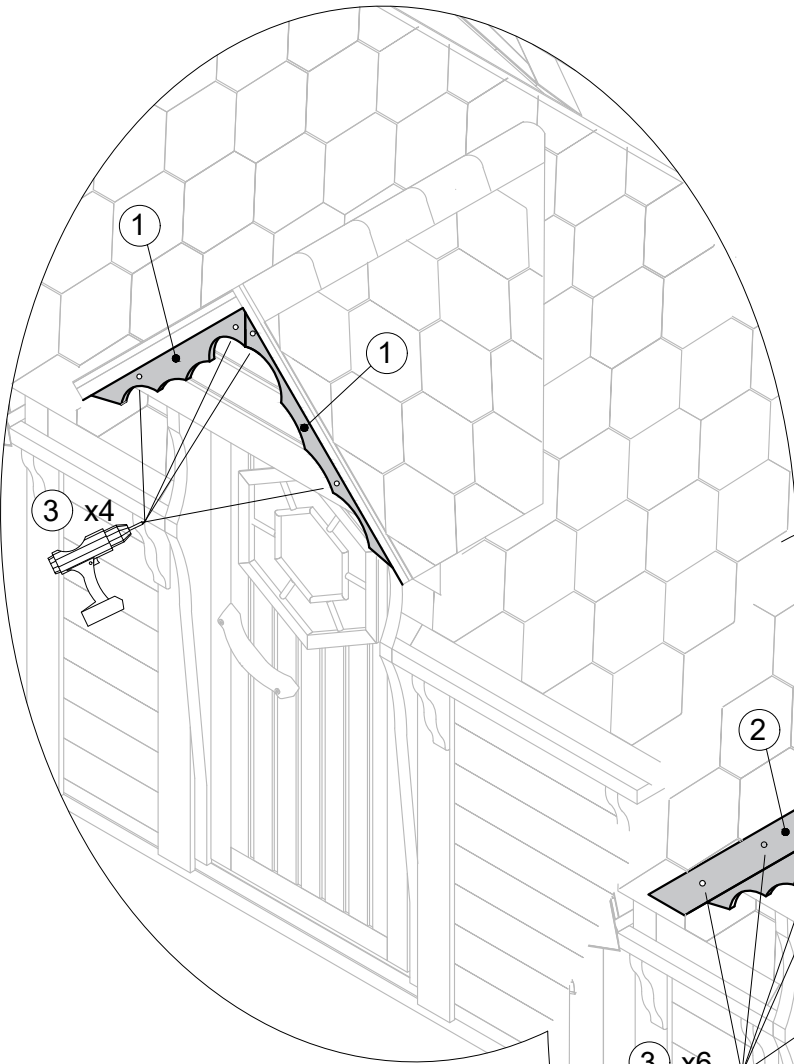


② x2
M-18x95x1050-F
or
M-18x95x1211-F

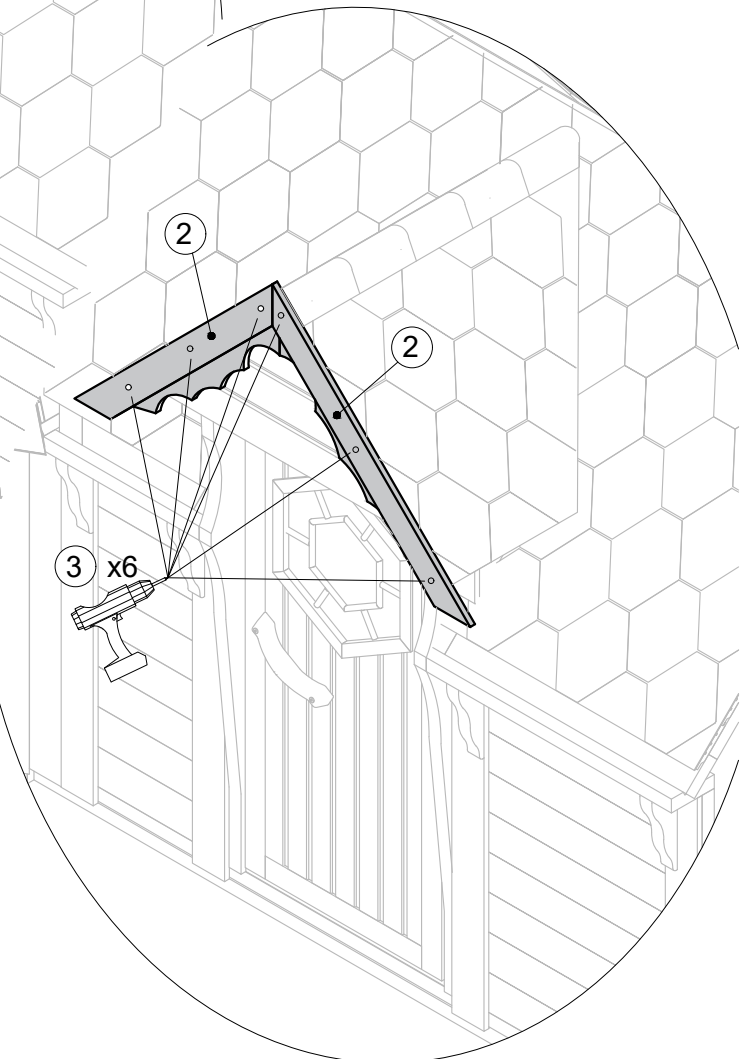


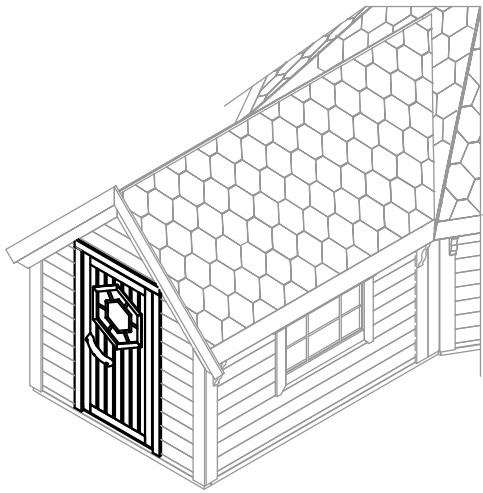
③ x10
T-GC-3.5x45

1 Step



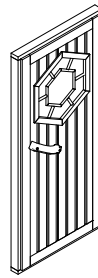
2 Step



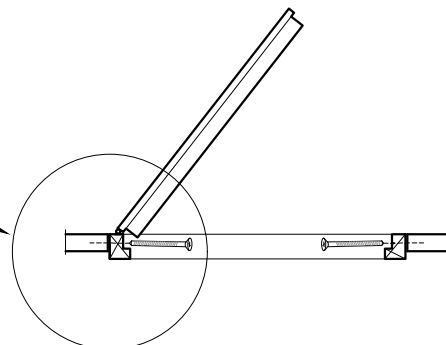
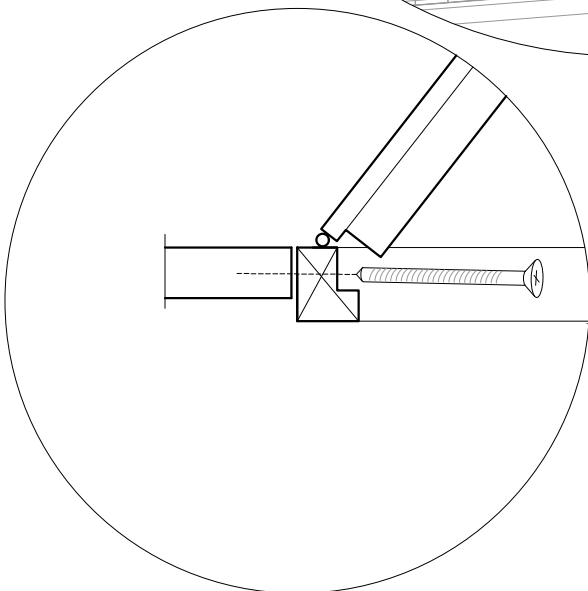
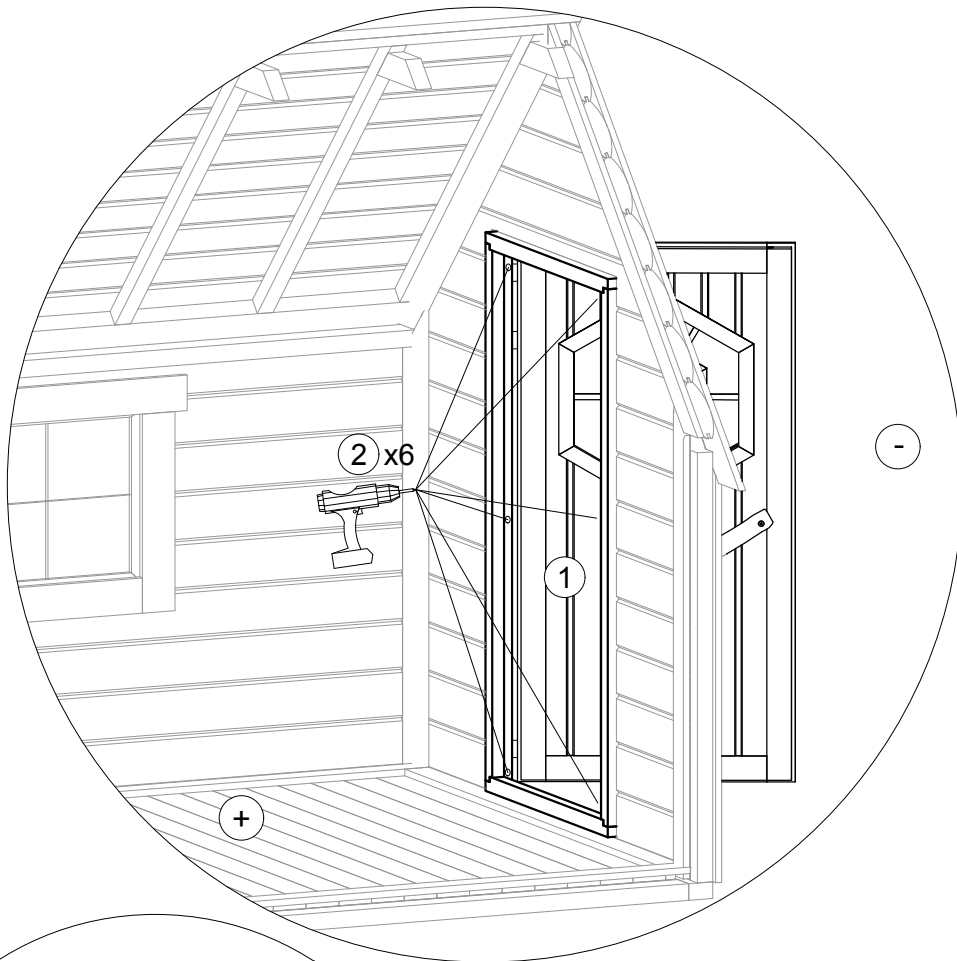


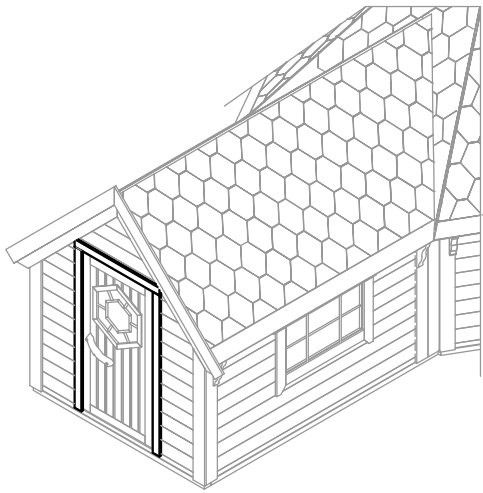
30. Extension OUTSIDE DOOR

① x1
PUS0001
or
PUS0013
or
PUS00320
or
PUS00060
or
PUS00321



② x6
T-GC-5x100





31. Extension OUTSIDE DOOR FINISHING BOARD

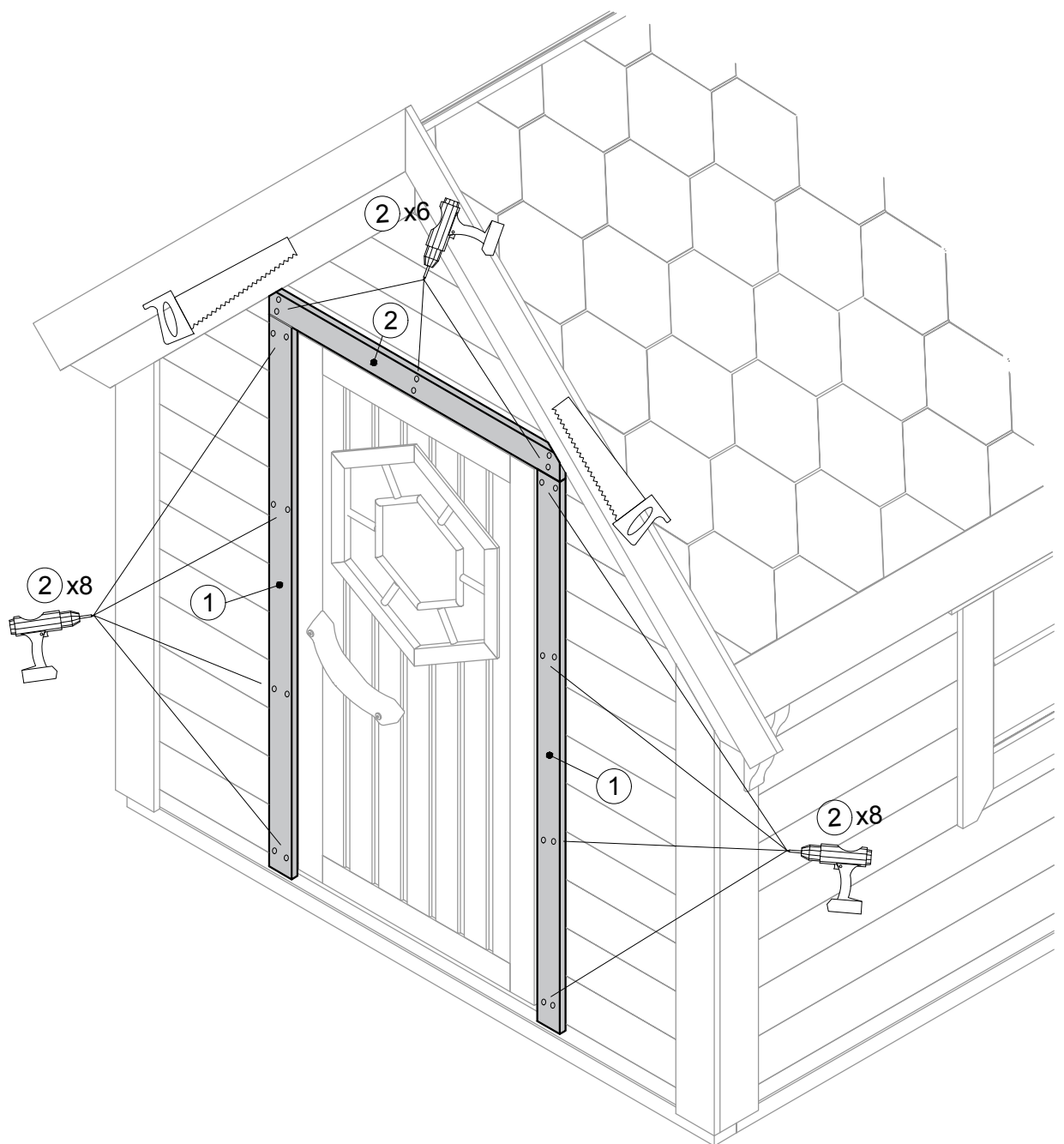
① x2
M-18x70x1490
or
M-18x70x1620
or
M-18x70x1750



② x1
M-18x70x905
or
M-18x70x1120



③ x22
T-GC-3.5x45





31.1 Extension INSIDE DOOR FINISHING BOARD

① x2
M-18x70x1500
or
M-18x70x1630
or
M-18x70x1760

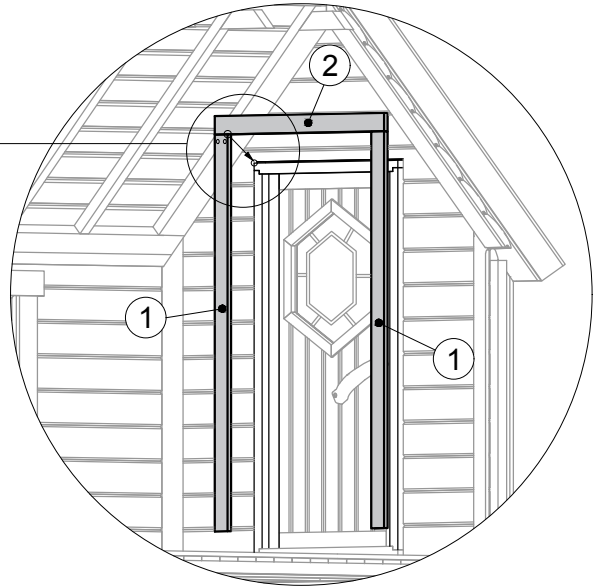
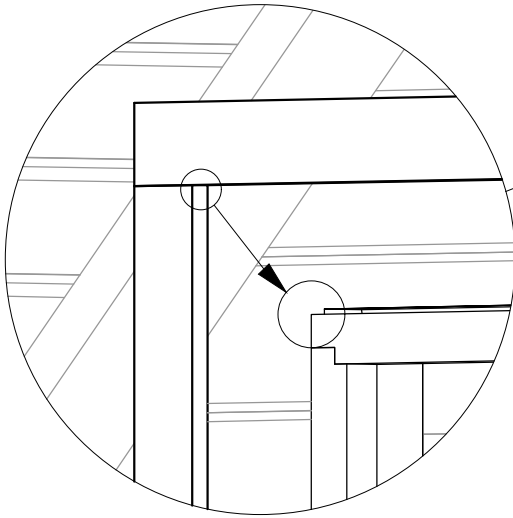
② x1
M-18x70x925
or
M-18x70x1140

③ x2
M-18x70x1490
or
M-18x70x1620
or
M-18x70x1750

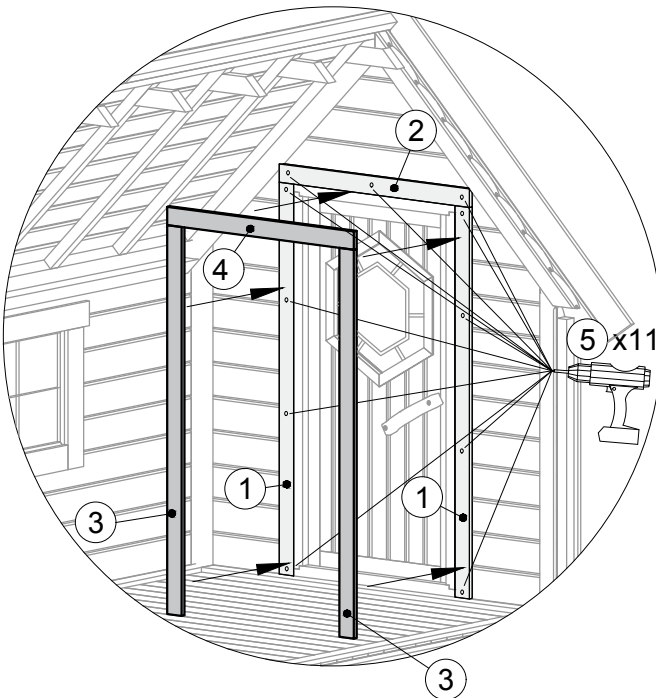
④ x1
M-18x70x905
or
M-18x70x1120

⑤ x33
T-GC-3.5x45

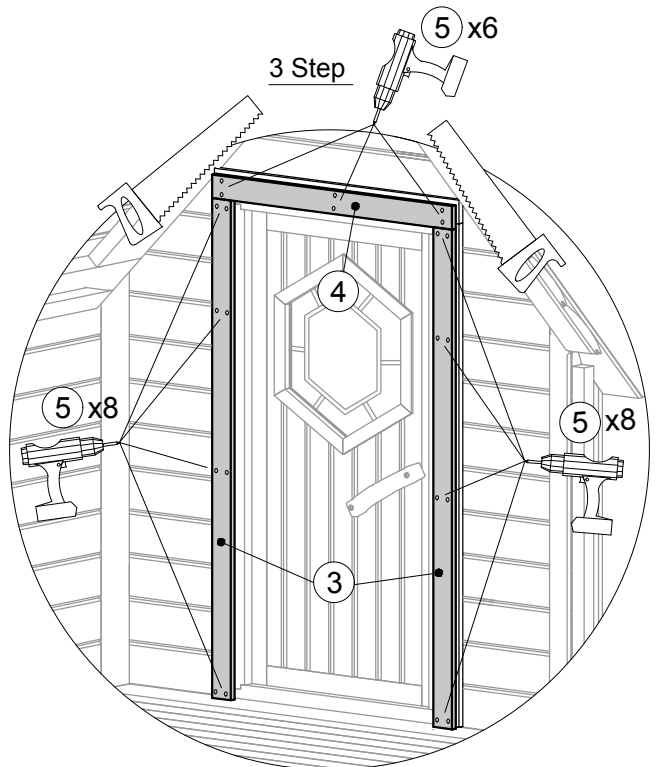
1 Step

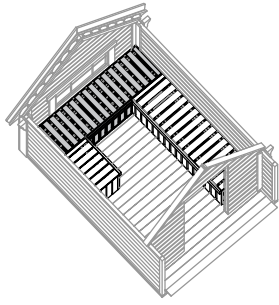


2 Step



3 Step





32. Extension SAUNA BENCHES

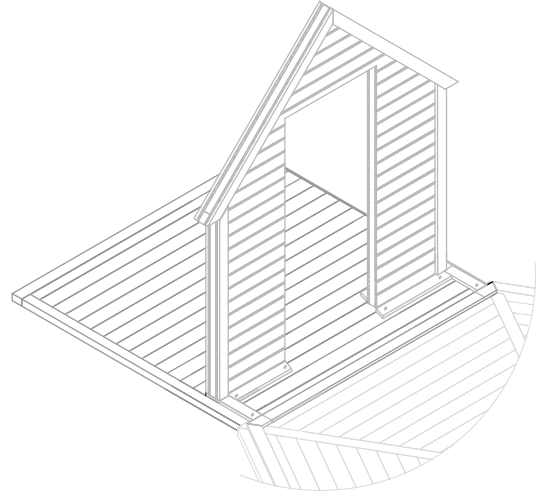
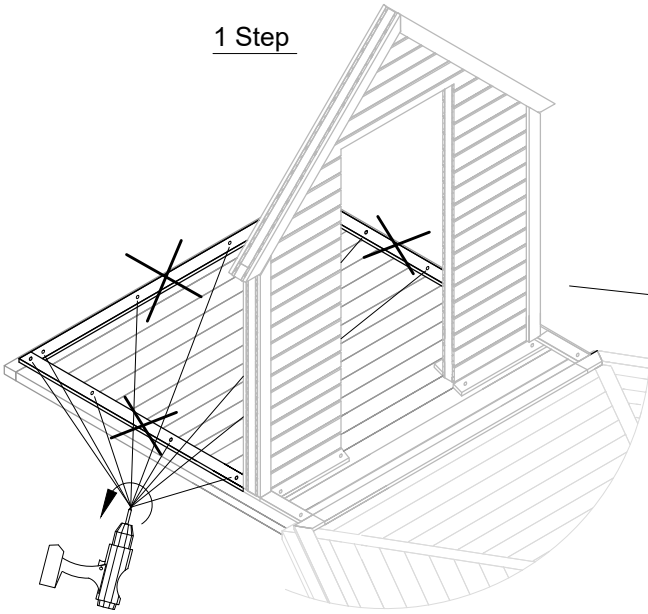
① x4
Gultas-koja-420x437

② x1
Gultas-465x825

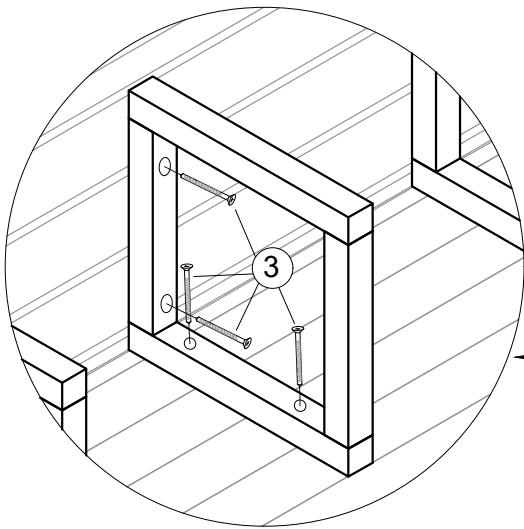
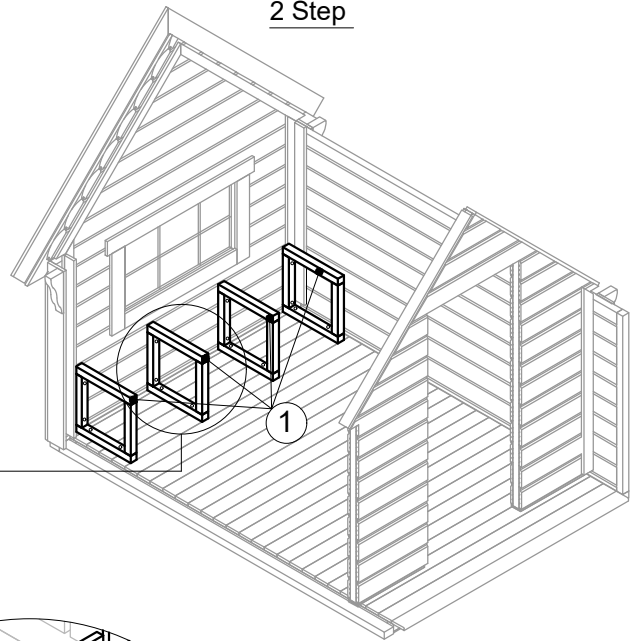
③ x16
T-GC-4x70

④ x4
T-GC-3.5x45

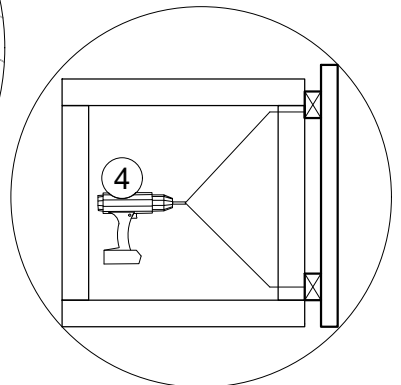
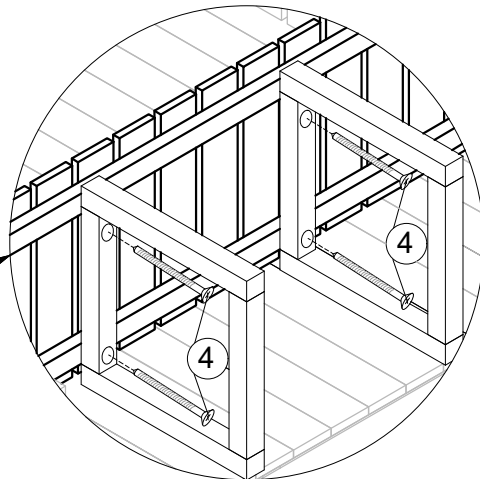
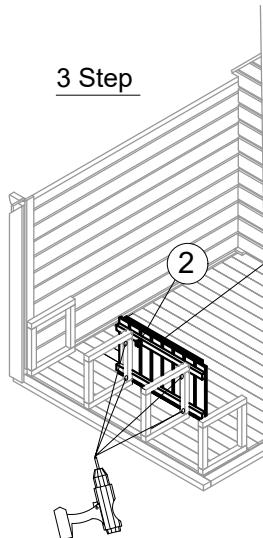
1 Step



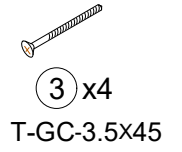
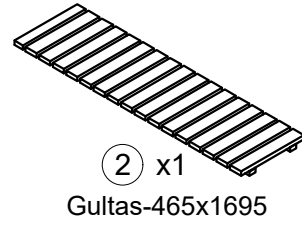
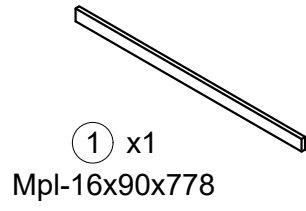
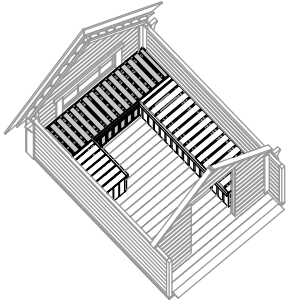
2 Step



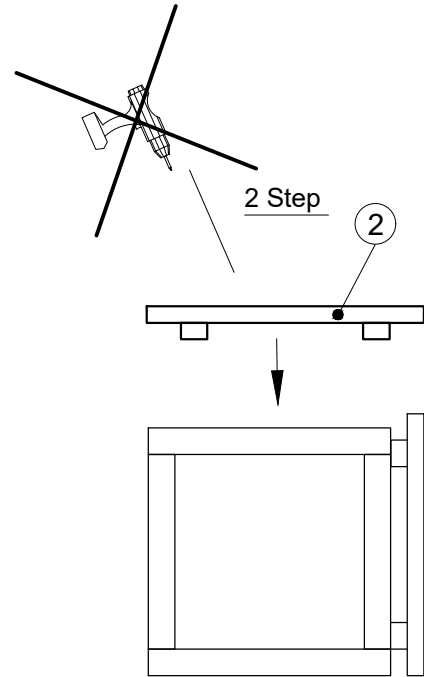
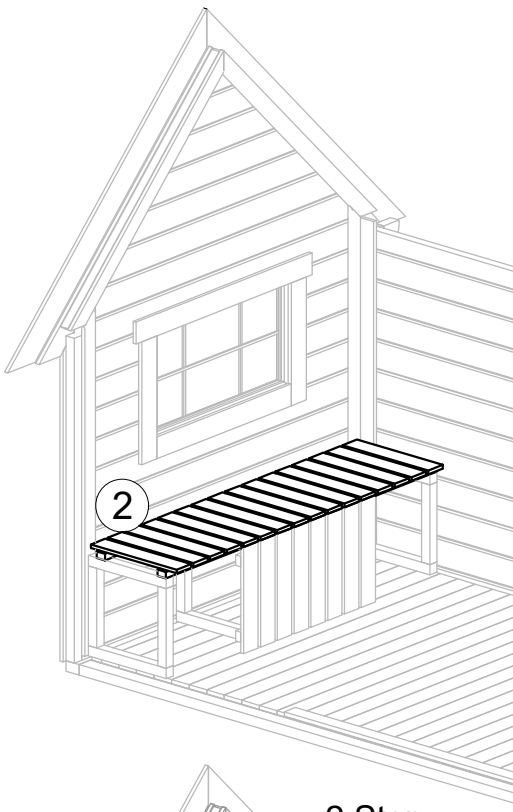
3 Step



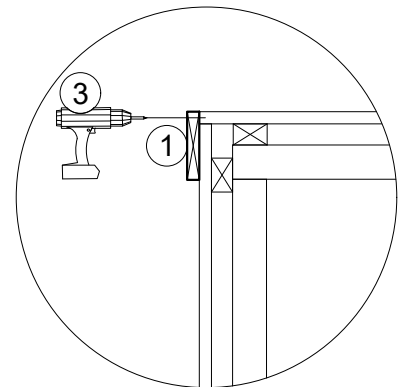
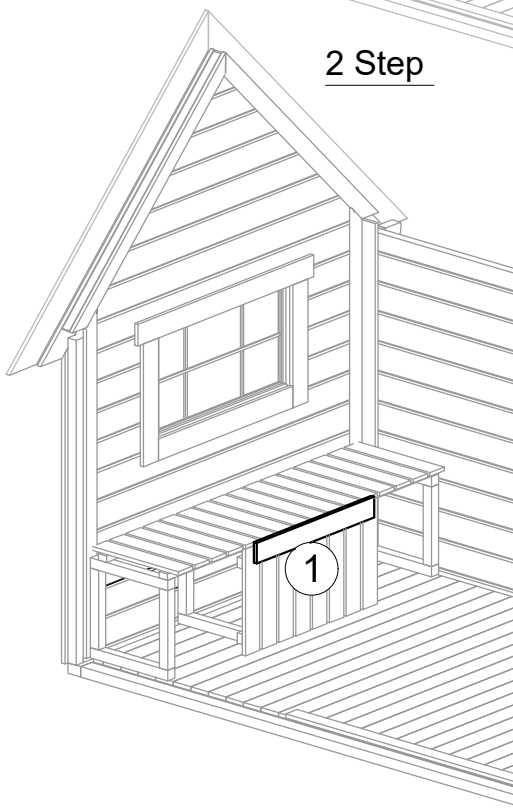
32.1 Extension SAUNA BENCHES



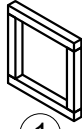
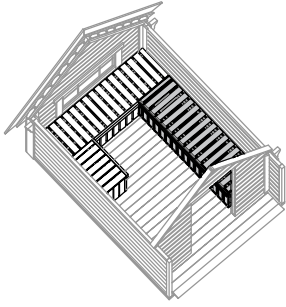
1 Step



2 Step

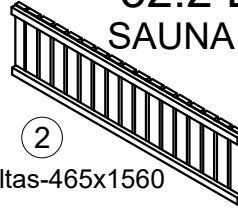


32.2 Extension SAUNA BENCHES



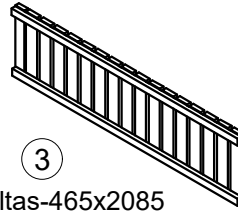
1

Gultas-koja-420x437 -
4Pcs.(4.3m²)
or
Gultas-koja-420x437 -
5Pcs.(5.2m²)



2

Gultas-465x1560



3

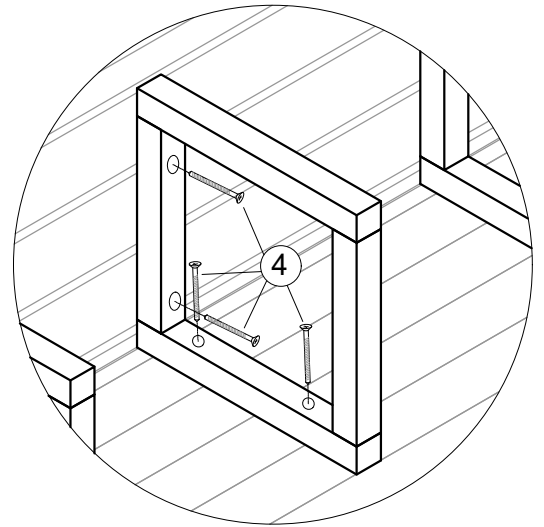
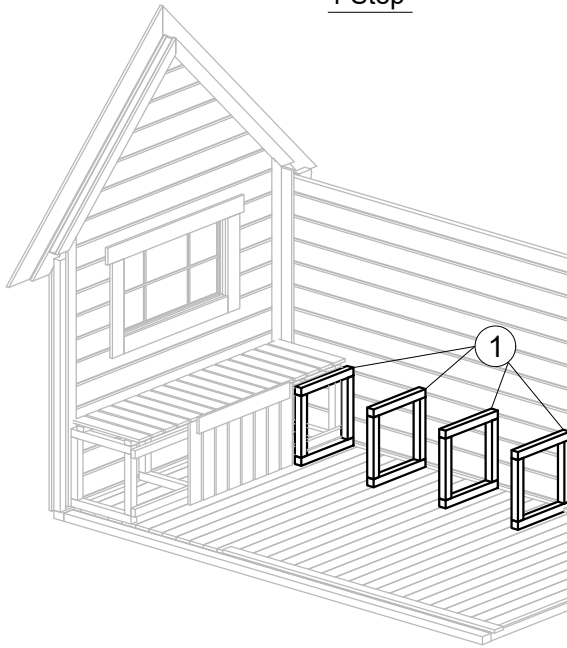
Gultas-465x2085



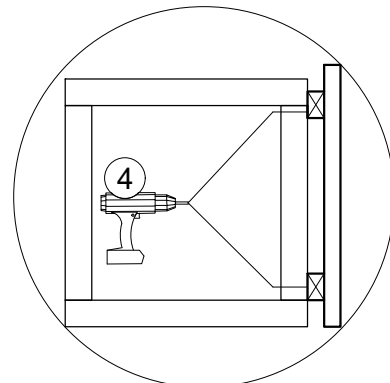
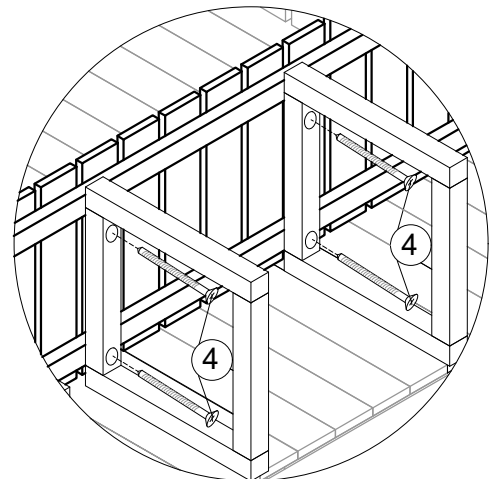
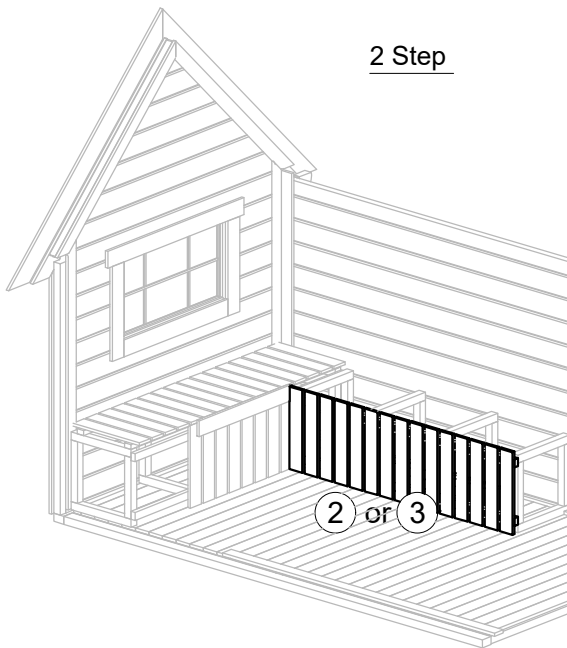
4

T-GC-4x70 (4.3m² - 24pcs.)
or
T-GC-4x70 (5.2m² - 30pcs.)

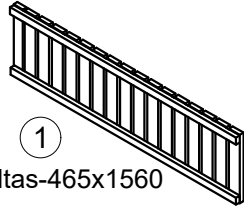
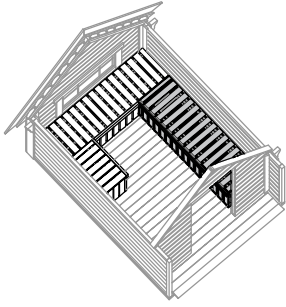
1 Step



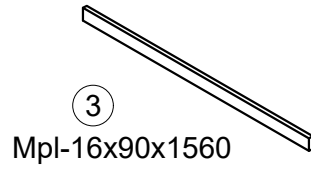
2 Step



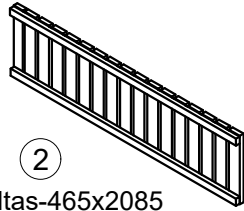
32.3 Extension SAUNA BENCHES



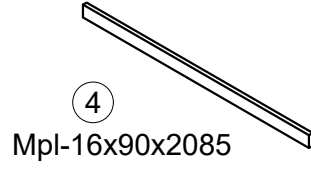
①
Gultas-465x1560



③
Mpl-16x90x1560



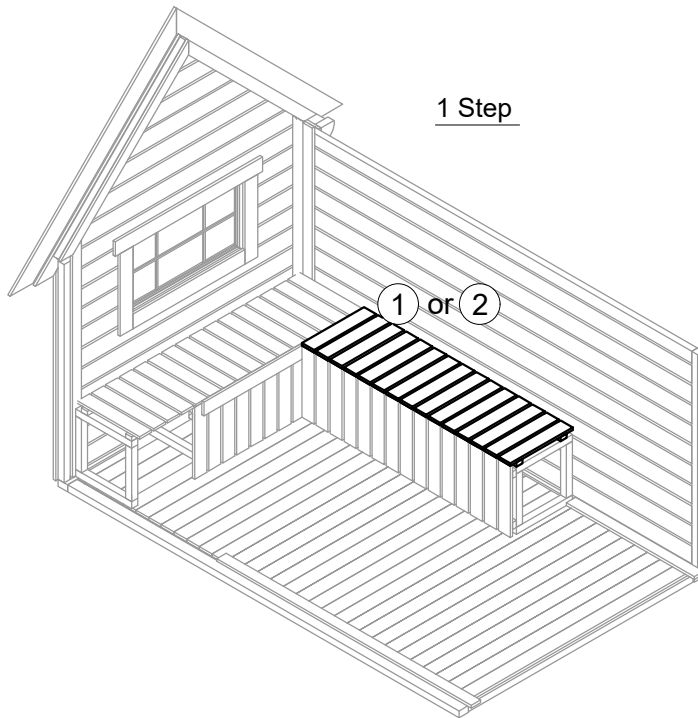
②
Gultas-465x2085



④
Mpl-16x90x2085

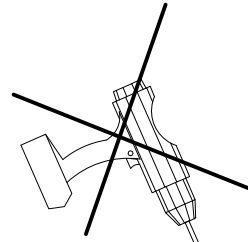


④
T-GC-3.5x45 (4.3m² - 4pcs.)
or
T-GC-3.5x45 (5.2m² - 6pcs.)



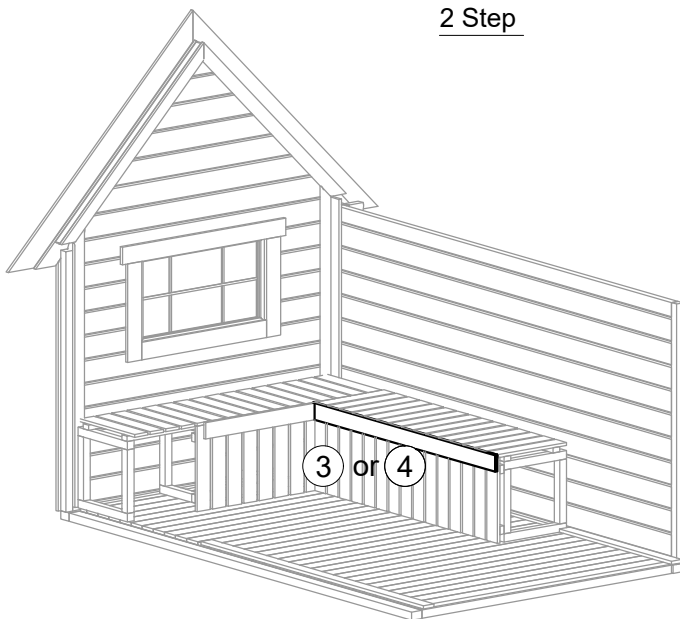
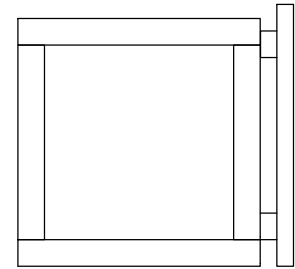
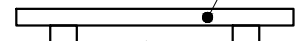
1 Step

① or ②



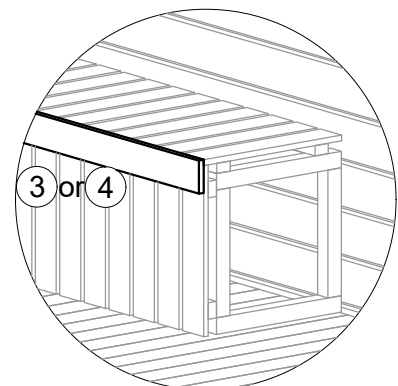
2 Step

① or ②

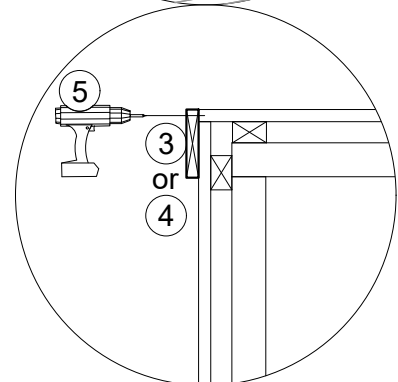


2 Step

③ or ④



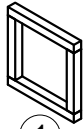
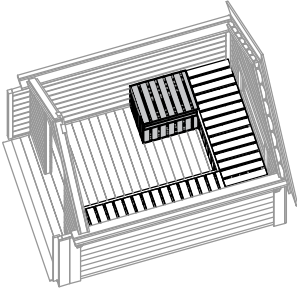
③ or ④



⑤

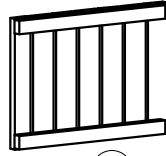
③ or ④

32.4 Extension SAUNA BENCHES



①

Gultas-koja-420x437 -
2Pcs.(4.3m²)
or
Gultas-koja-420x437 -
3Pcs.(5.2m²)



②

Gultas-465x615-(4.3m²)



③

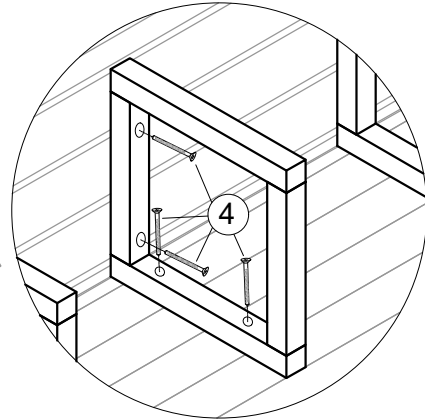
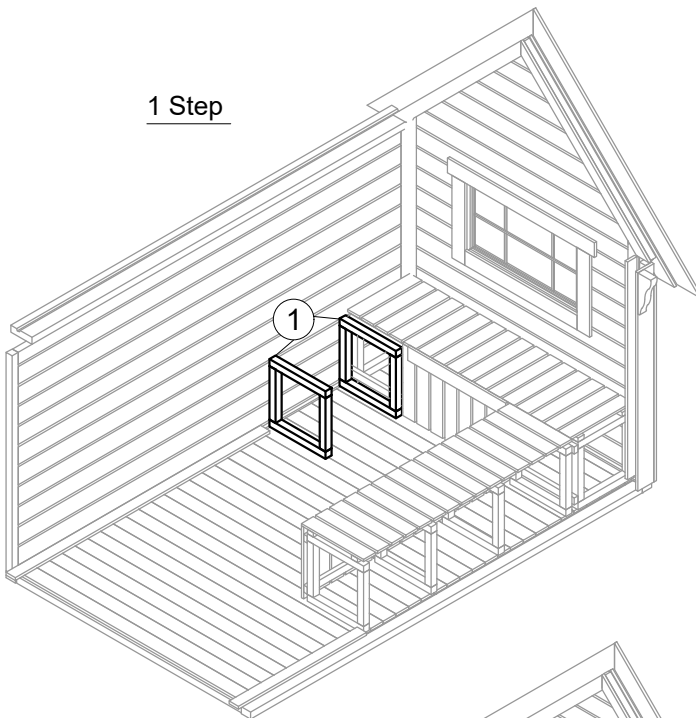
Gultas-465x1140-(5.2m²)



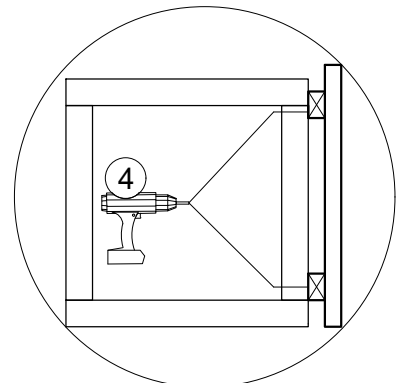
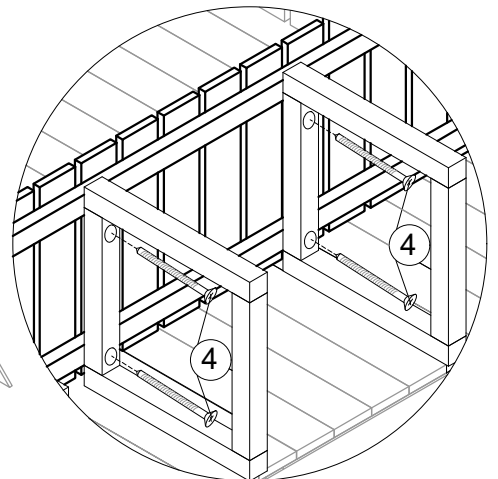
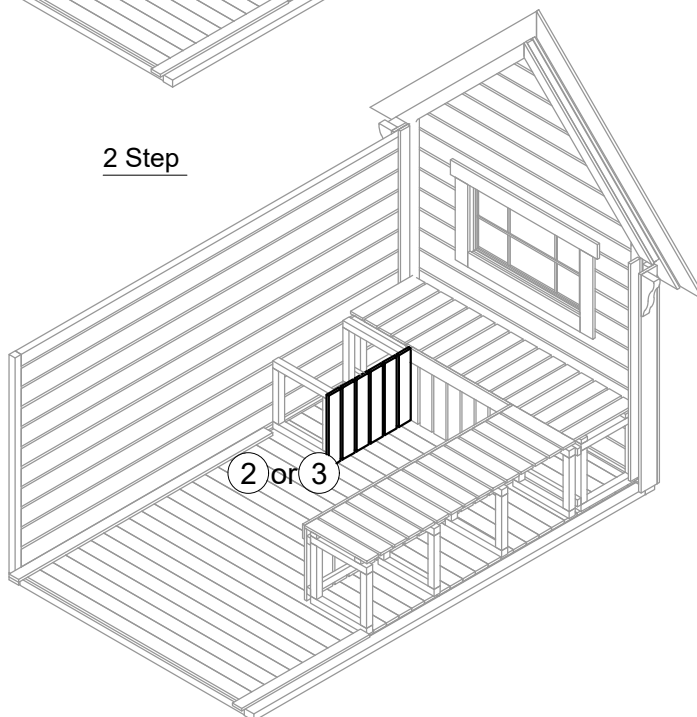
④

T-GC-4x70 (4.3m² - 10pcs.)
or
T-GC-4x70 (5.2m² - 18pcs.)

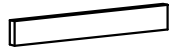
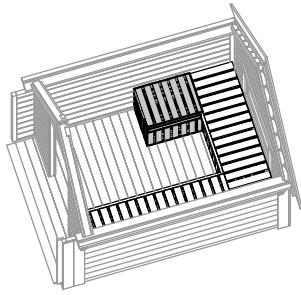
1 Step



2 Step

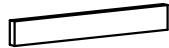


32.5 Extension SAUNA BENCHES



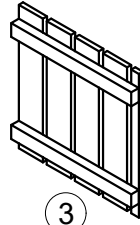
①

Mpl-16x90x615



②

Mpl-16x90x1140



③

Gultas-449x465 - (4.3m²)
or
Gultas-449x465 - (5.2m²)



⑥

T-GC-4x70 (4.3m² - 7pcs.)
or
T-GC-4x70 (5.2m² - 14pcs.)



④

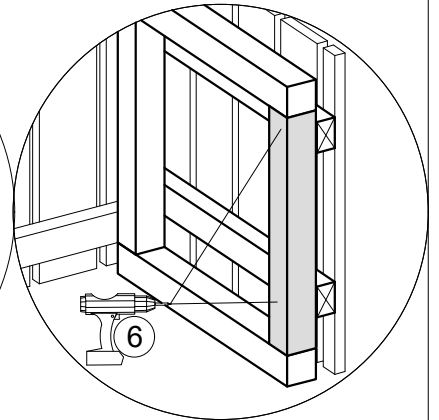
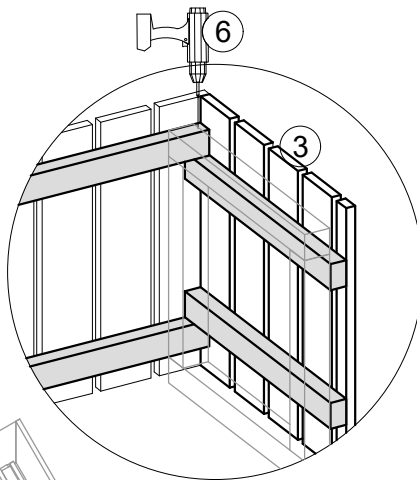
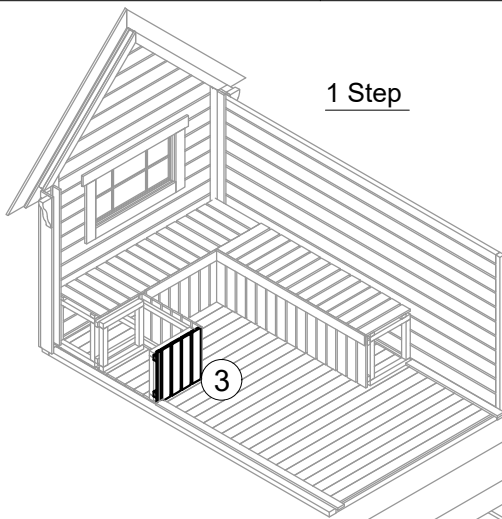
Gultas-465x615-(4.3m²)



⑤

Gultas-465x1140-(5.2m²)

1 Step



2 Step

