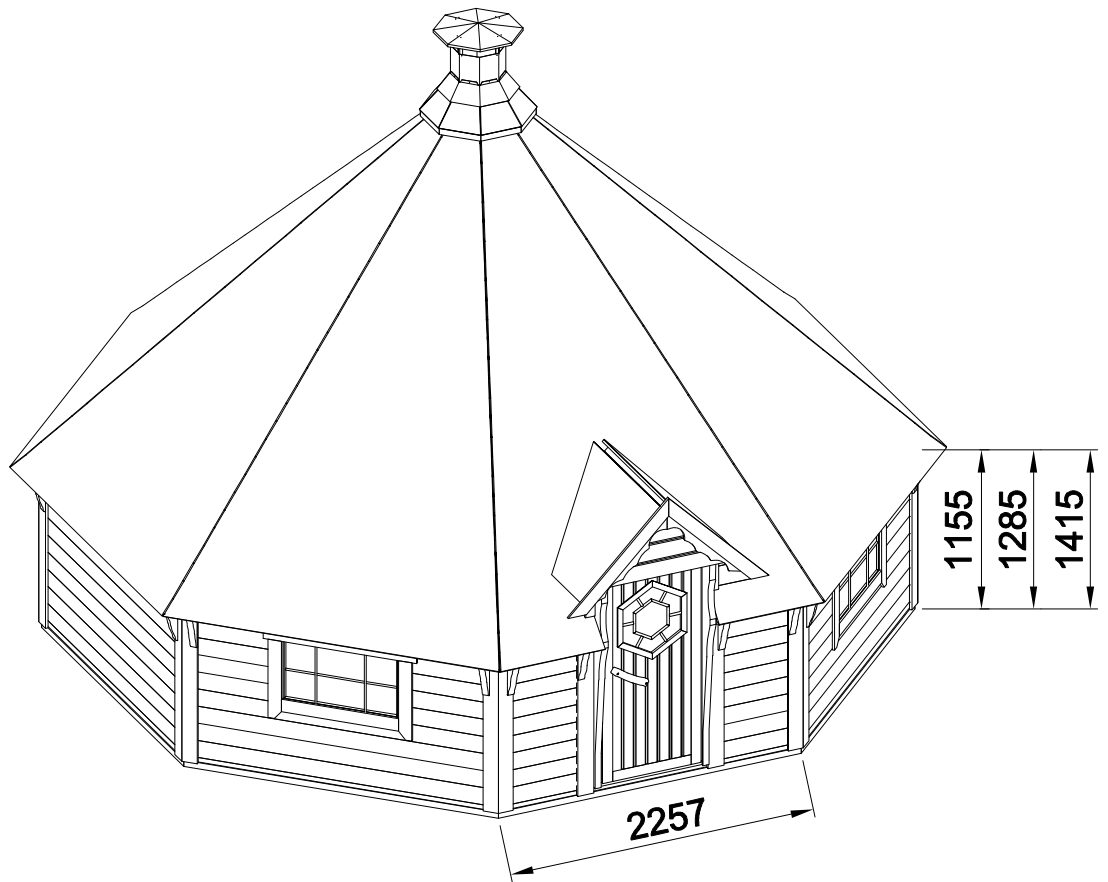
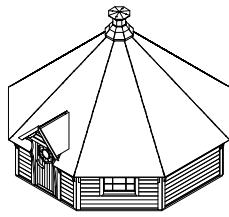


GRILL / CAMPING CABIN 25

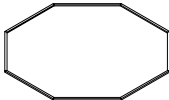


GRILL / CAMPING CABIN 25

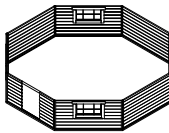
Grill/Camping cabin



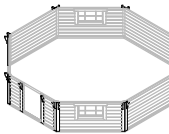
1. Step:
wood ring



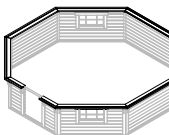
2. Step:
walls



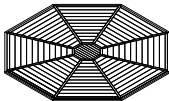
3. Step:
decoration (support)



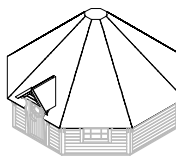
4. Step:
roof support ring



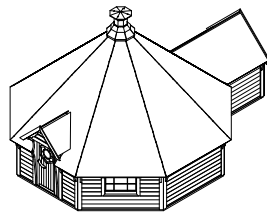
5. Step:
floors



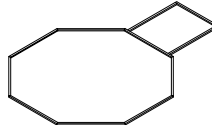
6. Step:
roof



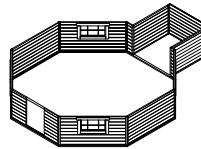
Grill+Extension



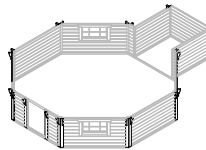
1. Step:
wood ring



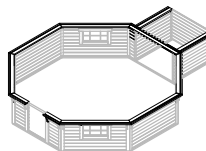
2. Step:
walls



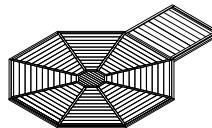
3. Step:
decoration (support)



4. Step:
roof support ring



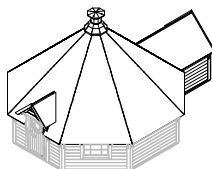
5. Step:
floors



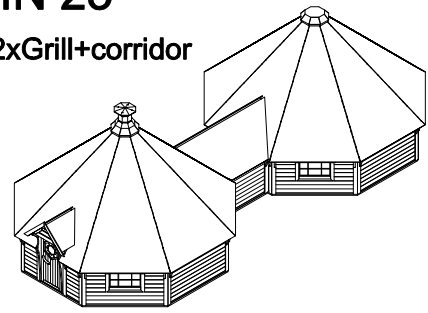
6. Step:
inside wall



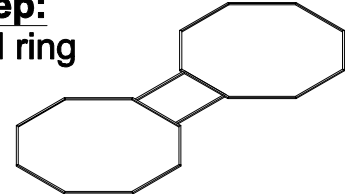
7. Step:
roof



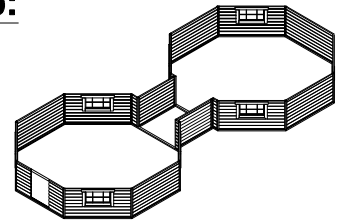
2xGrill+corridor



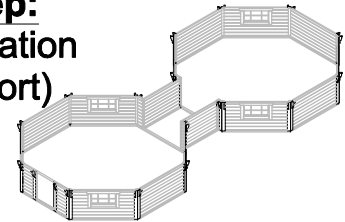
1. Step:
wood ring



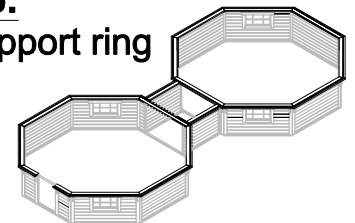
2. Step:
walls



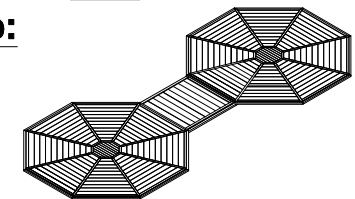
3. Step:
decoration (support)



4. Step:
roof support ring



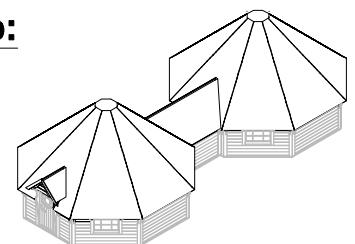
5. Step:
floors



6. Step:
inside wall



7. Step:
roof



Grill / Camping cabin 25 Foundation

It is very important to have a proper foundation.

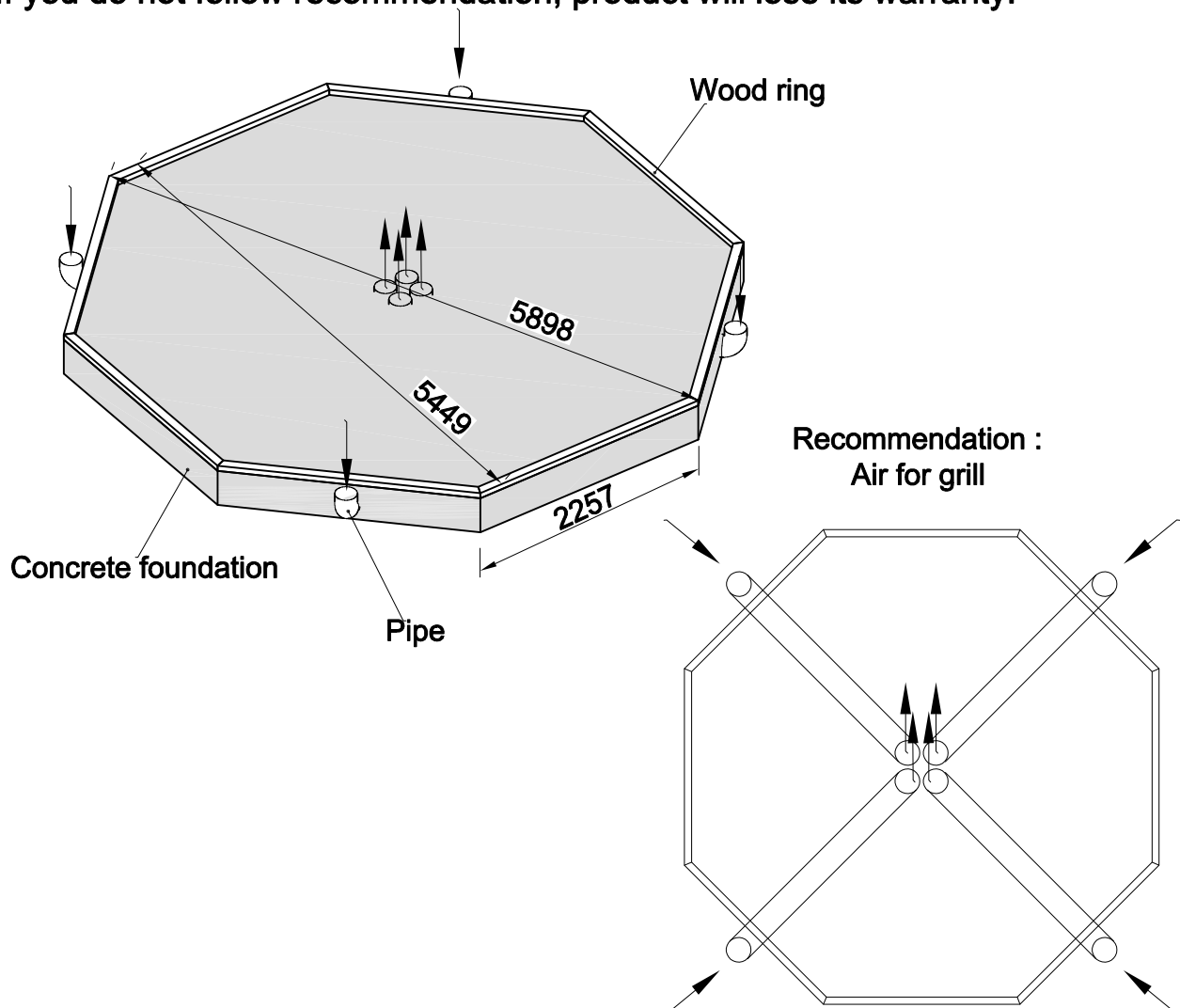
Therefore we recommend making the foundation according to the sketches here. First of all, foundation must be prepared according to the landscape and ground conditions.

The foundation under the product must be prepared specially, it must be homogeneous, tight and equal. It must be ensured that it will not change its properties. We recommend using concrete foundation. Before installation of product, we recommend to make hydro isolation of foundation.

Consult a local qualified builder or an engineer to prepare a proper foundation, which fits to your location.

Due to improper foundation, cracks in the structures may occur. Due to uneven product seating, the geometric shape of the product may change, which can result in door / window twist, or/and gap may appear. And in the worst case product 's collapse.

If you do not follow recommendation, product will lose its warranty.

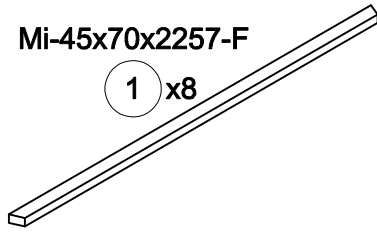


1. Grill / camping cabin 25

Wood ring - foundation

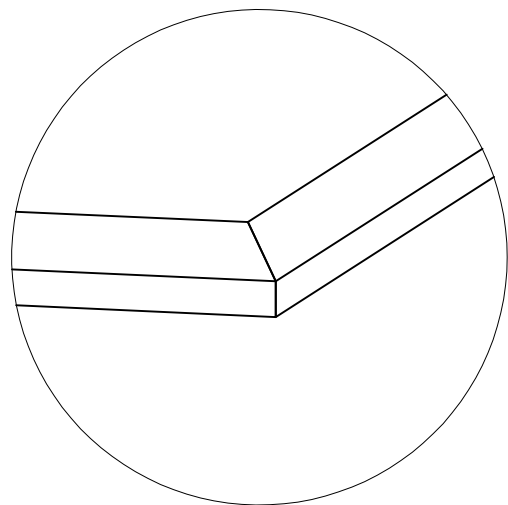
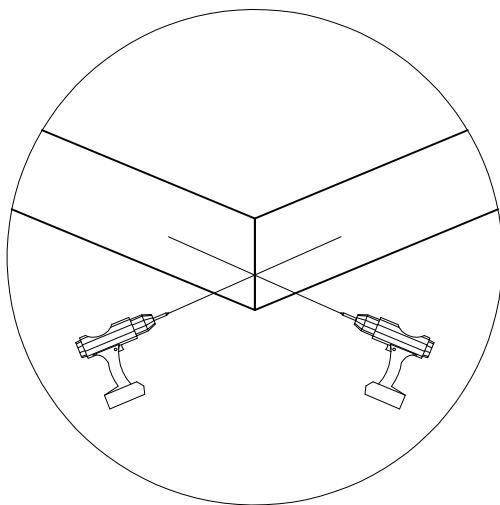
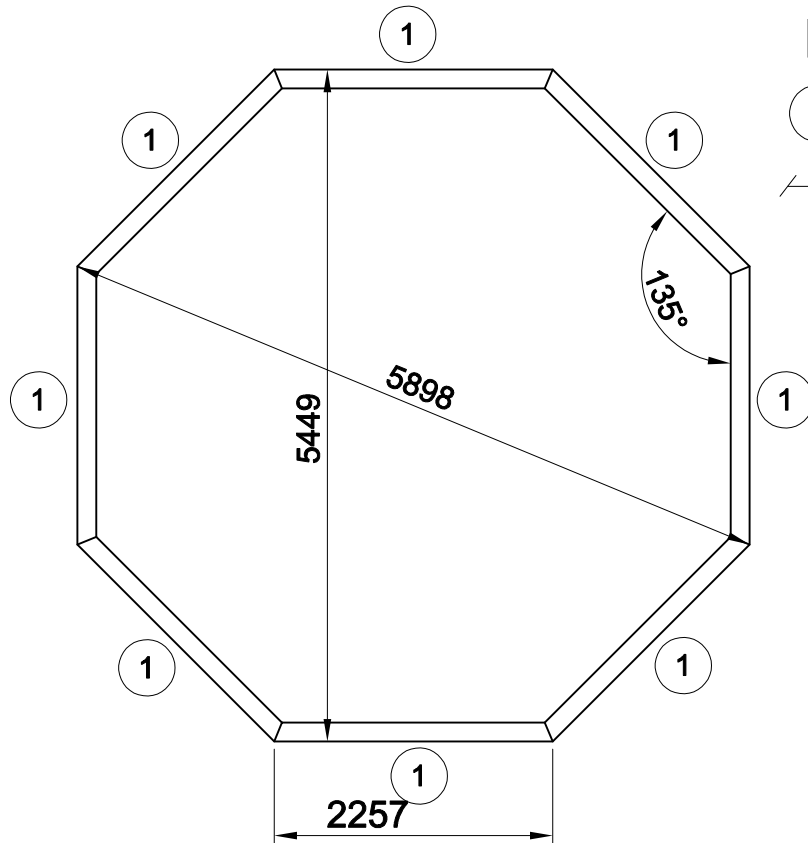
Mi-45x70x2257-F

1 x8

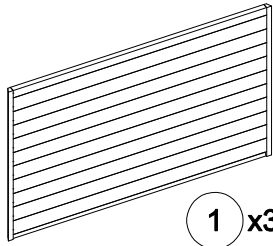


T-GC-5x100

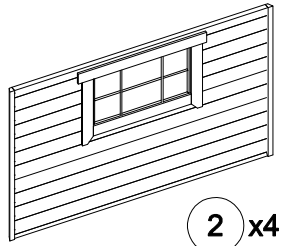
2 x16



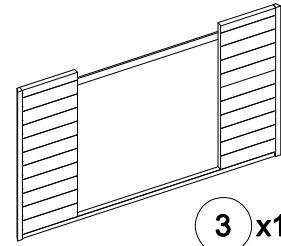
2. Grill / camping cabin 25 Walls connection



GR25-S-1155x2257
or
GR25-S-1285x2257
or
GR25-S-1415x2257



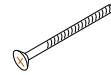
GR25-SL-1155x2257
or
GR25-SL-1285x2257
or
GR25-SL-1415x2257



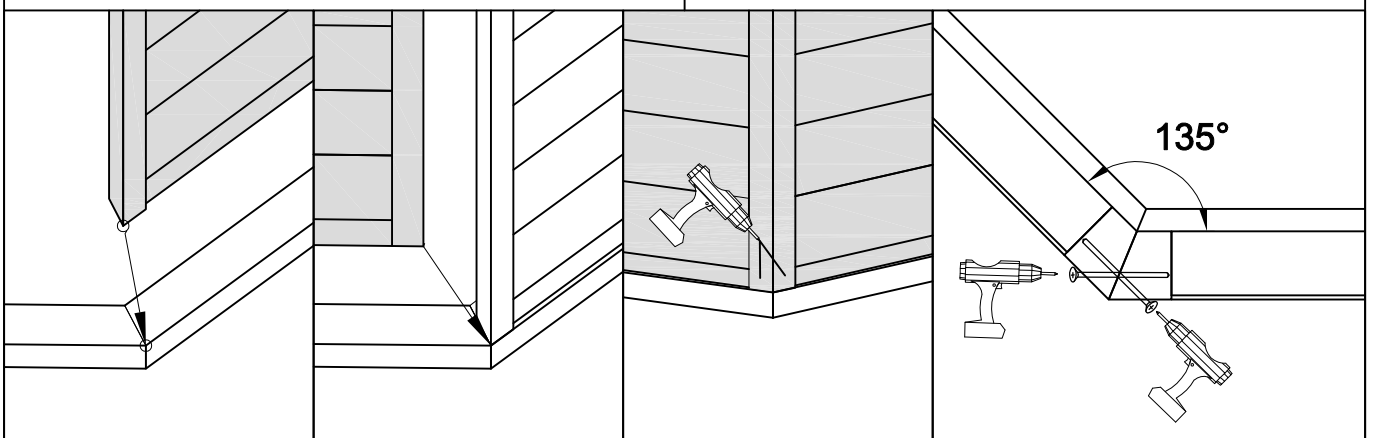
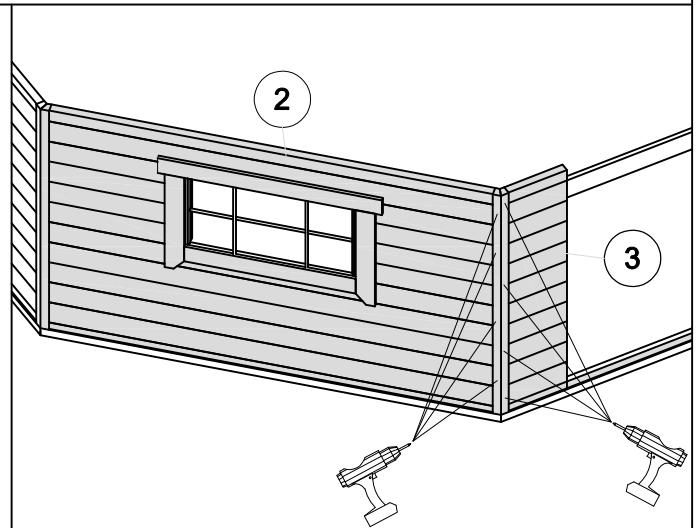
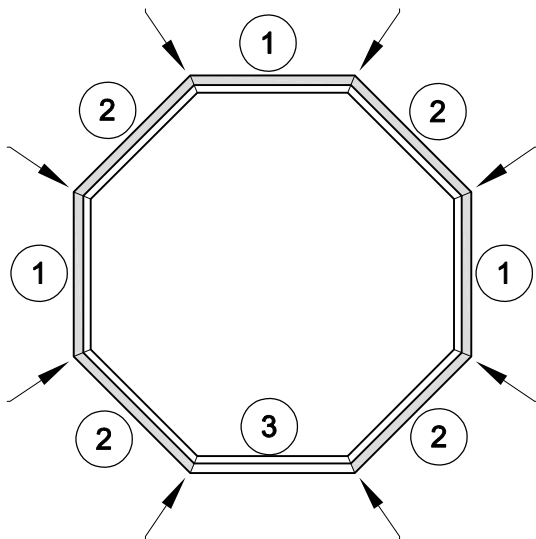
GR25-SD-1155x2257-A850 or (A1070)
or
GR25-SD-1285x2257-A850 or (A1070)
or
GR25-SD-1415x2257-A850 or (A1070)



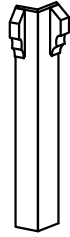
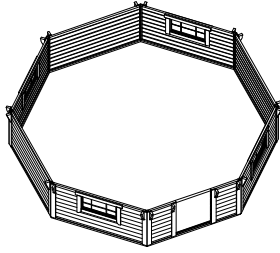
GR25-EXS-1155x258(k, d)
or
GR25-EXS-1285x258(k, d)
or
GR25-EXS-1415x285(k, d)



T-GC-5x100



3. Grill / Camping Cabin 25 Decoration (support) outside



1 x8

GR-8k-Apd-1155
or
GR-8k-Apd-1285
or
GR-8k-Apd-1415



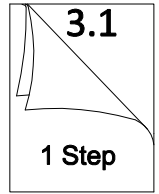
2 x1

GR-Apd(k)-1155
or
GR-Apd(k)-1285
or
GR-Apd(k)-1415

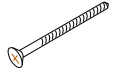


3 x1

GR-Apd(d)-1155
or
GR-Apd(d)-1285
or
GR-Apd(d)-1415

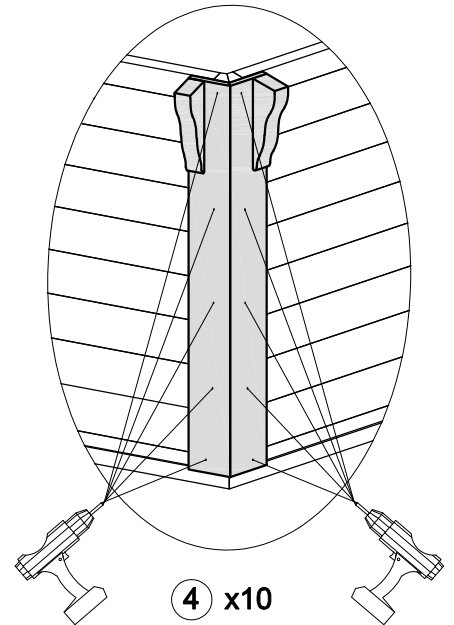
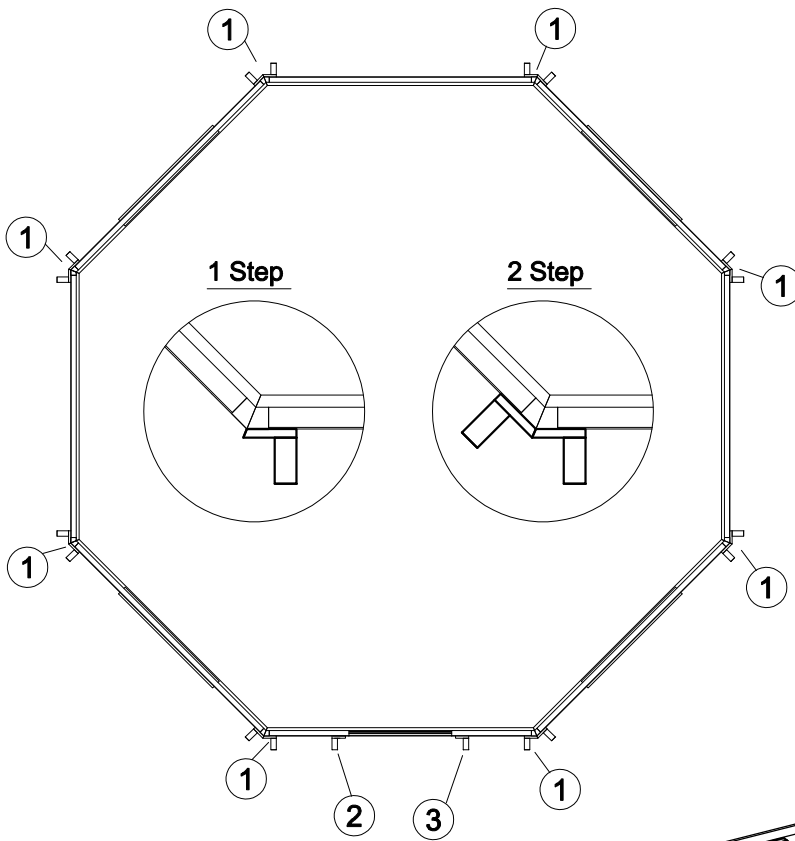


1 Step

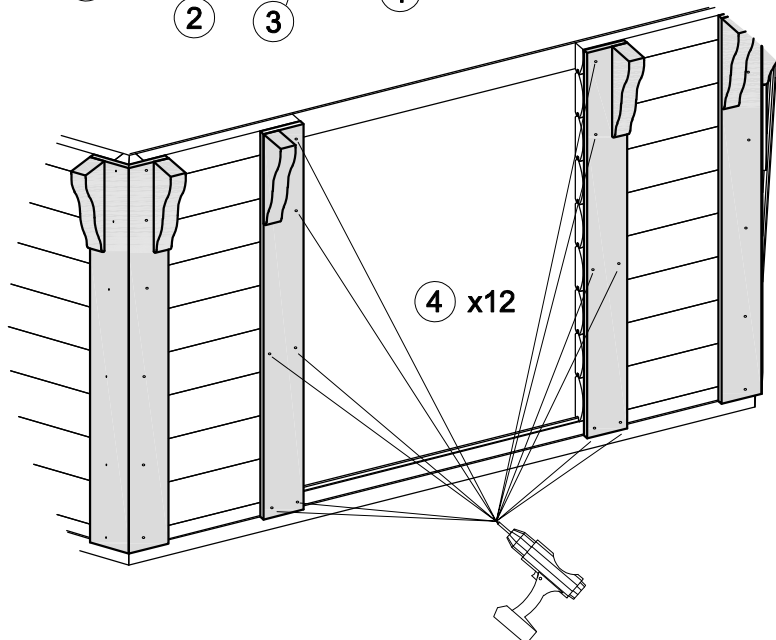


4 x92

T-BC-4x50

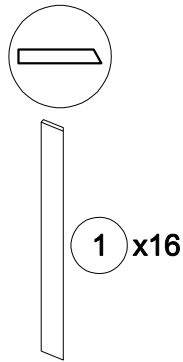


4 x10

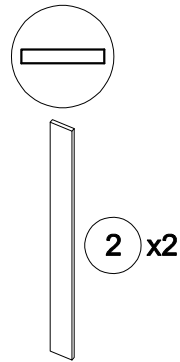


4 x12

3.1 Grill / Camping Cabin 25 DECORATION (SUPPORT) OUTSIDE



M-18x120x1155-F
or
M-18x120x1285-F
or
M-18x120x1415-F



M-18x120x1155
or
M-18x120x1285
or
M-18x120x1415



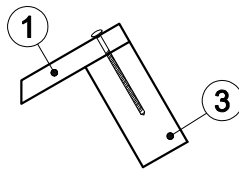
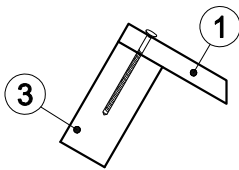
3 x18
M-45x95x270-CNC



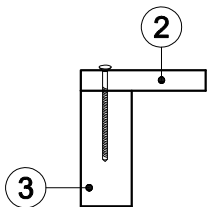
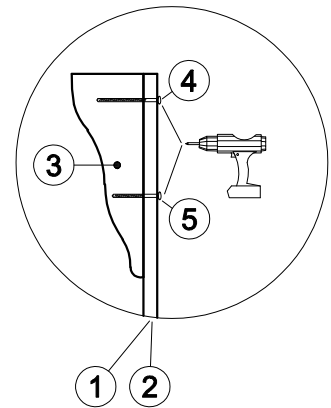
4 x18
T-BC-4x70



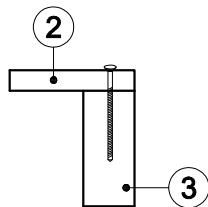
5 x18
T-BC-4x50



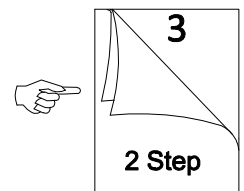
GR-8k-Apd-1155
or
GR-8k-Apd-1285
or
GR-8k-Apd-1415



GR-Apd(k)-1155
or
GR-Apd(k)-1285
or
GR-Apd(k)-1415

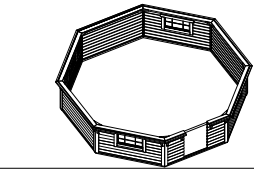


GR-Apd(d)-1155
or
GR-Apd(d)-1285
or
GR-Apd(d)-1415

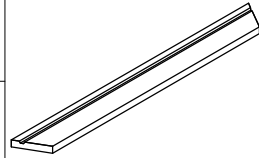
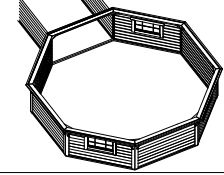


4. Grill / Camping Cabin 25

Roof support ring



Extension or Corridor



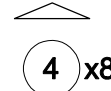
1 x7 or 8



2 x1



3 x1



4 x8



5 x75

M-45x70x338-F

T-GC-5x100

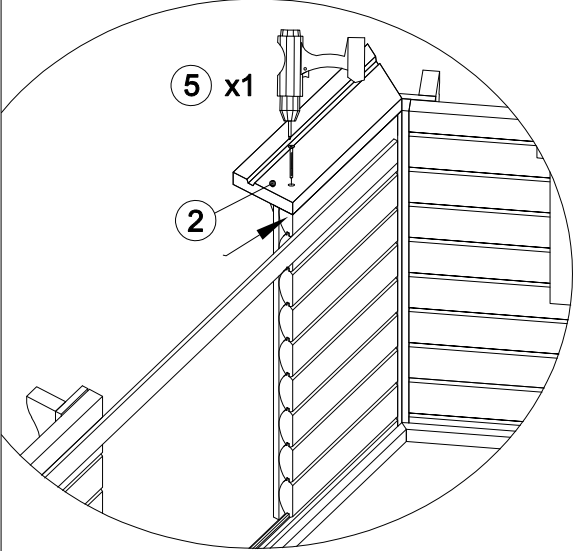


6 x16

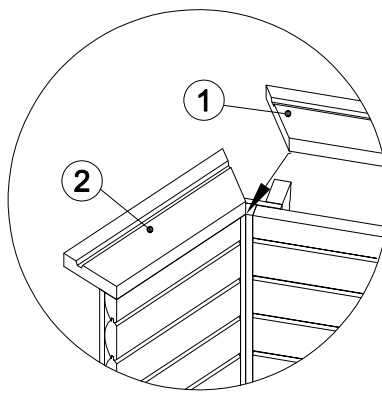
T-GC-5x80

M-45x195x765-F(k) M-45x195x765-F(d)
or or
M-45x195x2380-F M-45x195x656-F(k) M-45x195x656-F(d)

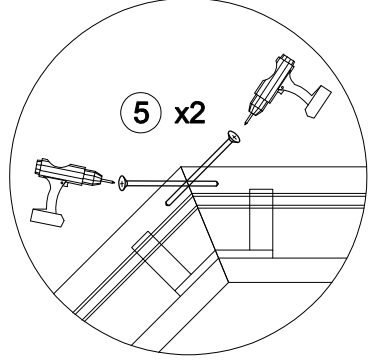
1 Step



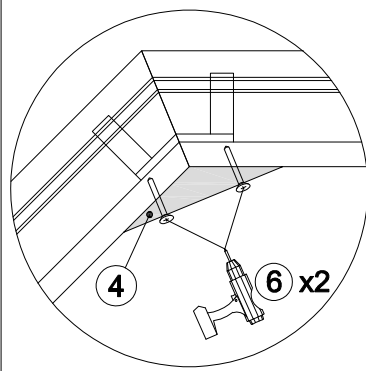
2 Step



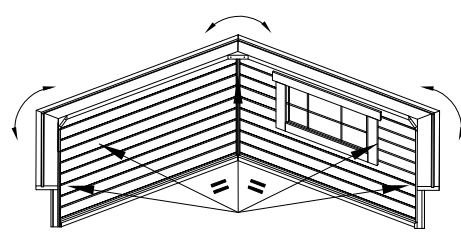
3 Step



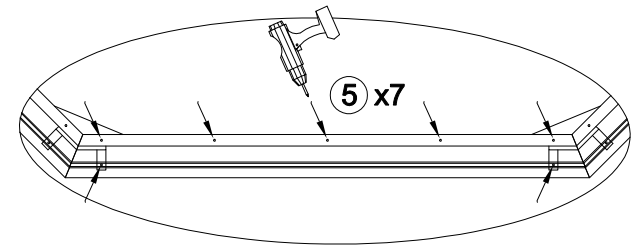
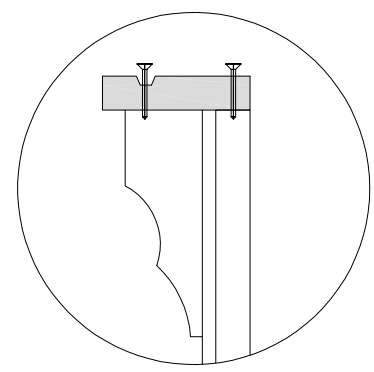
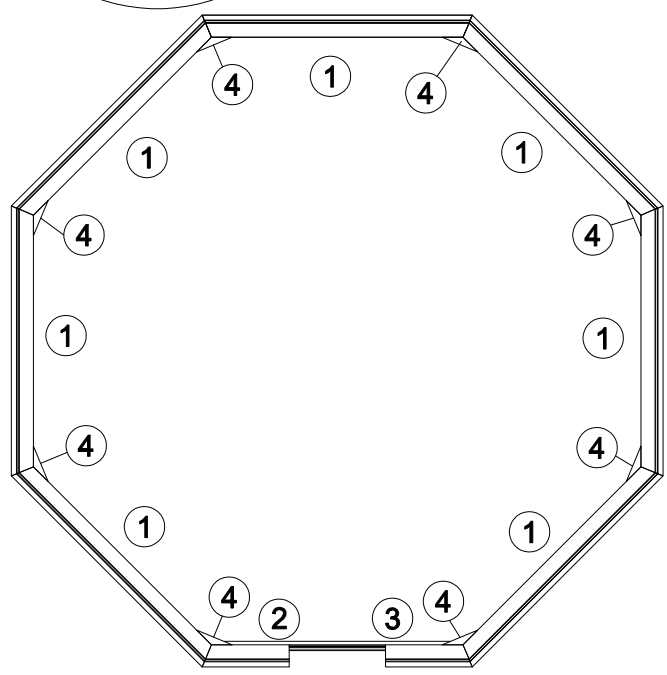
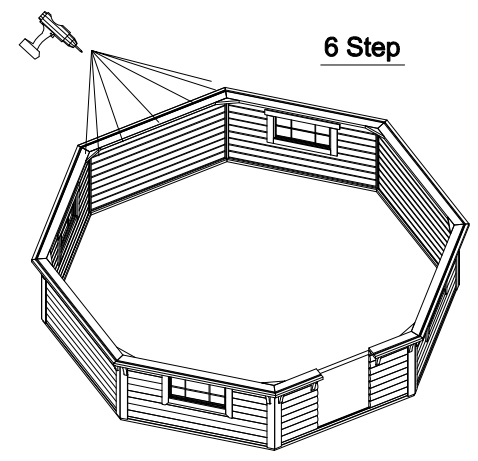
4 Step



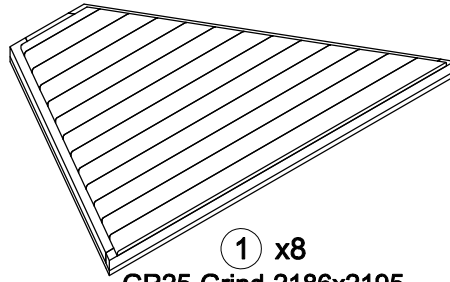
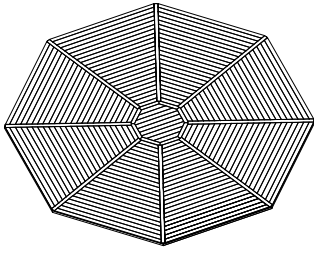
5 Step



6 Step

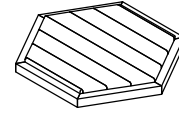


5. Grill / Camping Cabin 25 Floors



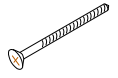
① x8

GR25-Grind-2186x2195
or
GR25-I-Grind-2186x2195
or
GR25-Spunt-2186x2195
or
GR25-I-Spunt-2186x2195



② x1

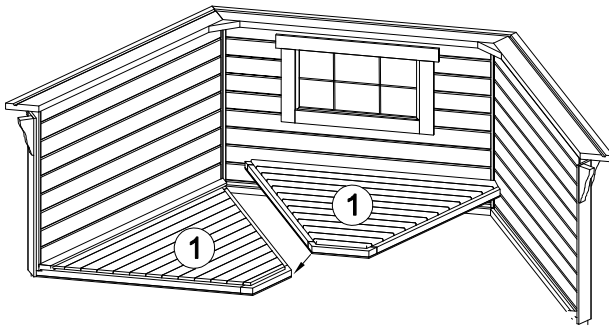
GR-8k-Grind-927x1003
or
GR-8k-I-Grind-927x1003
or
GR-8k-Spunt-927x1003
or
GR-8k-I-Spunt-927x1003



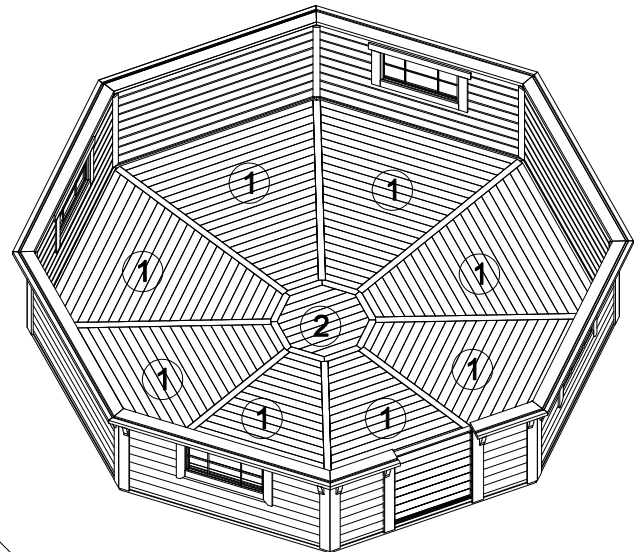
③ x56

T-GC-3.5x45

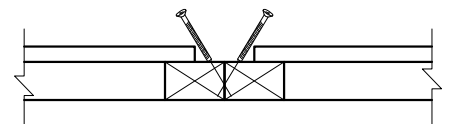
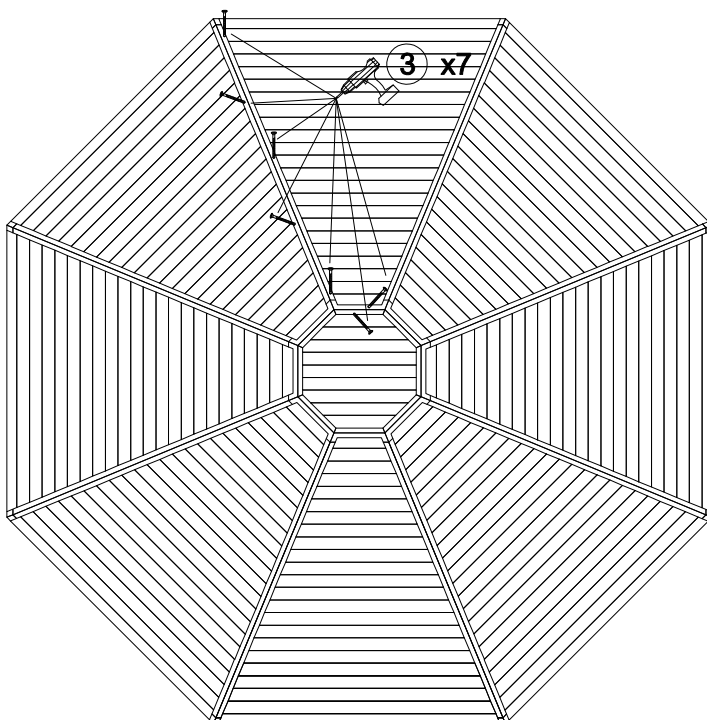
1 Step



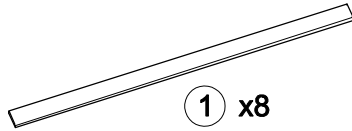
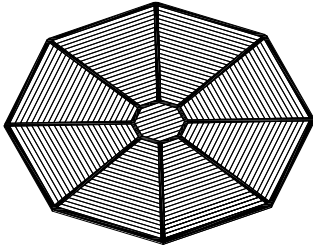
2 Step



3 Step

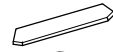


6. Grill / Camping Cabin 25 Floors



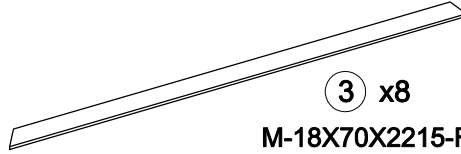
① x8

M-18X70X2327
or
Spunt-28x70x2327



② x8

M-18X70X412-F
or
Spunt-28x70x412-F



③ x8

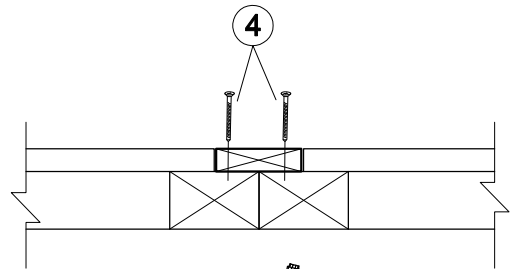
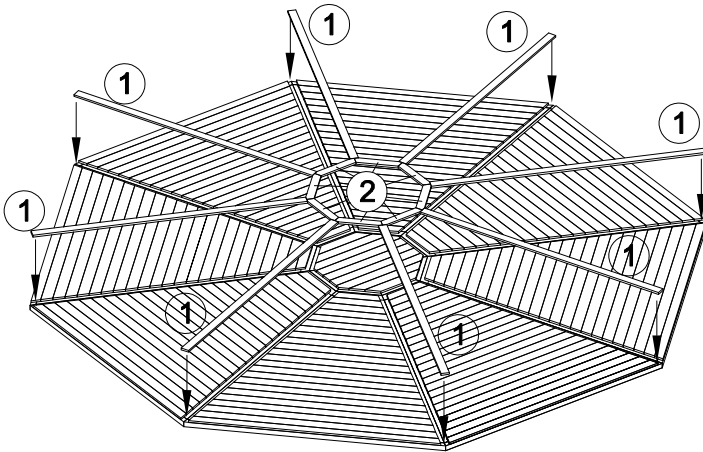
M-18X70X2215-F



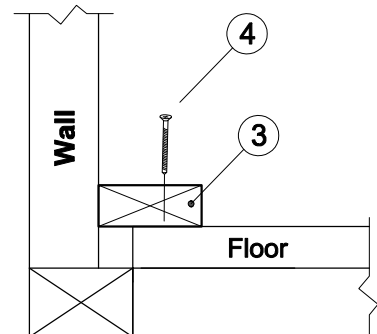
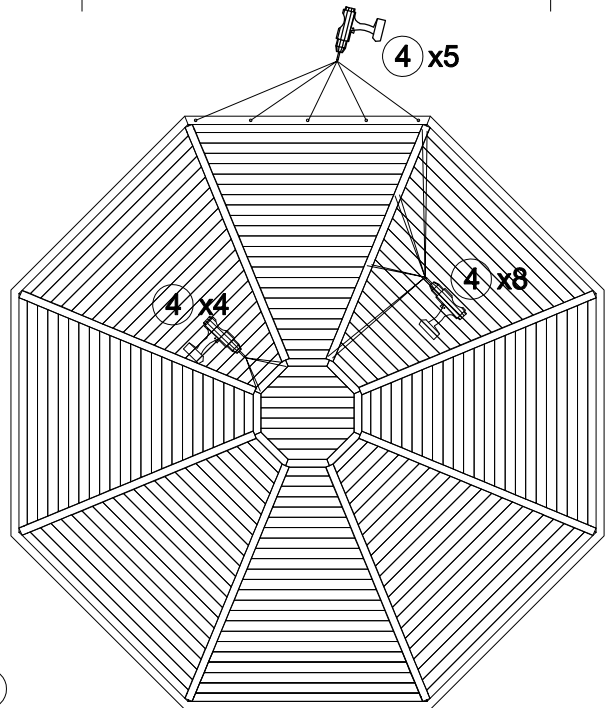
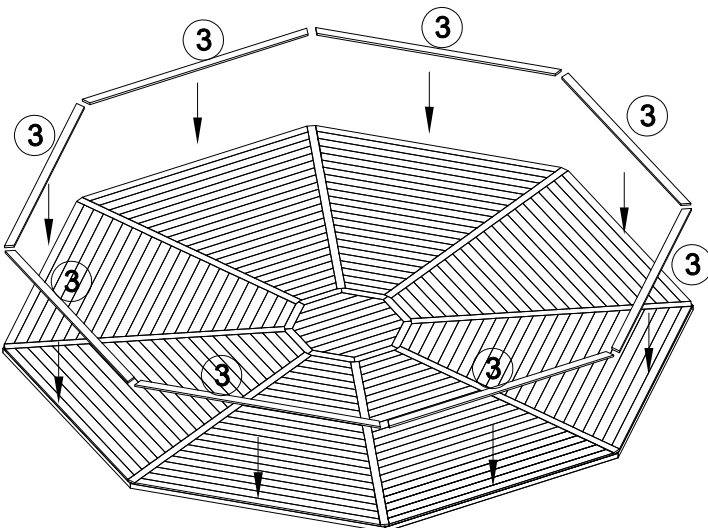
④ x136

T-GC-3.5x45

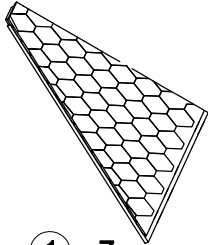
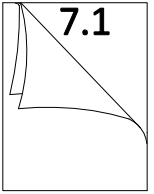
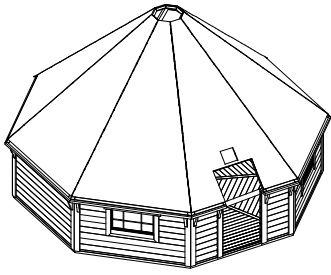
1 Step



2 Step

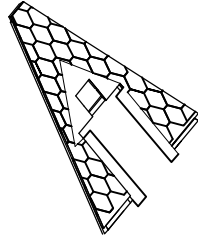


7. Grill / Camping Cabin 25 Roof



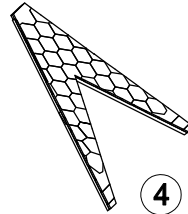
① x7

GR25-Stog-2359x3642
or
GR25-I-Stog-2359x3642

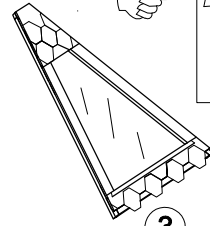


② x1

GR25-StogD-2359x3642-A850 or A1070
or
GR25-I-StogD-2359x3642-A850 or 1070



OR



③

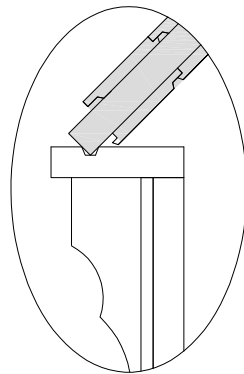
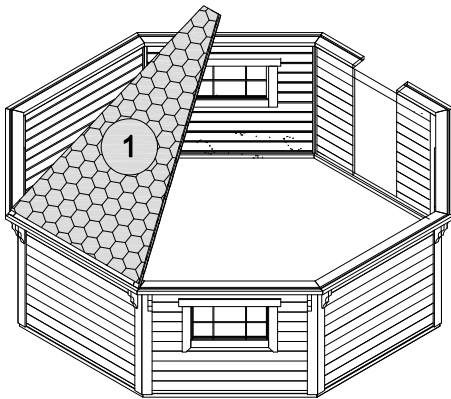
GR25-StogL-2359x3642
or
GR25-I-StogL-2359x3642

GR25-StogEX-2359x3642
or
GR25-I-StogEX-2359x3642

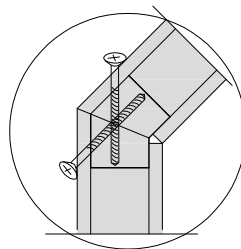
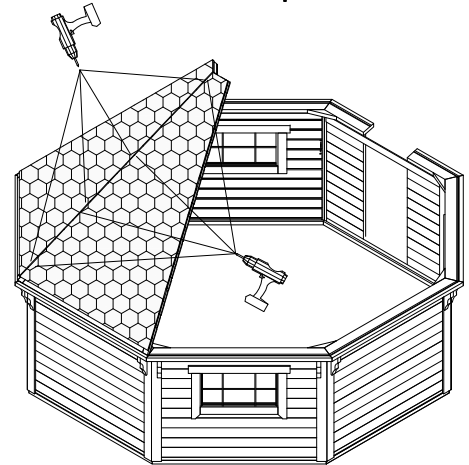


⑤ x104
T-GC-5x80

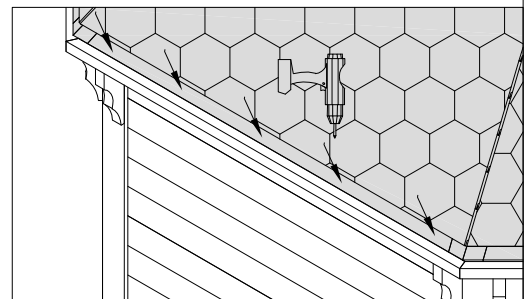
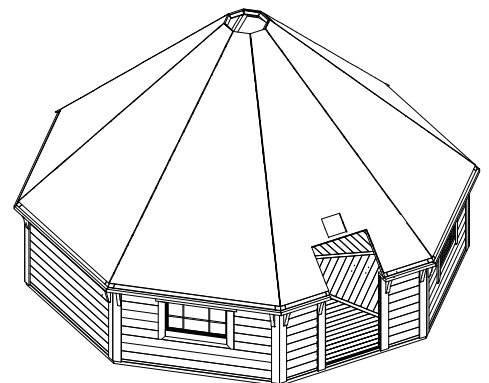
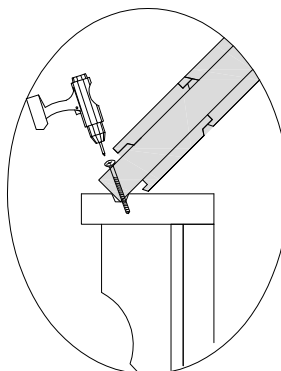
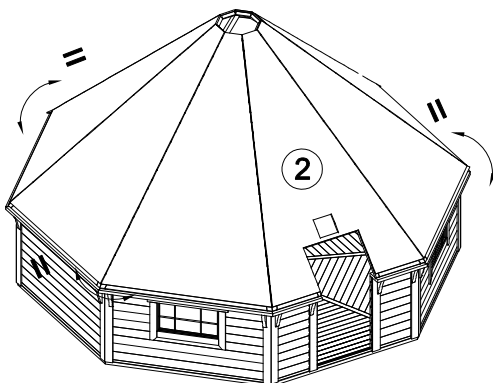
1 Step



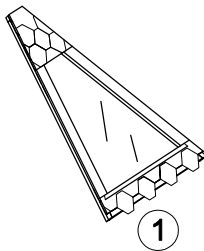
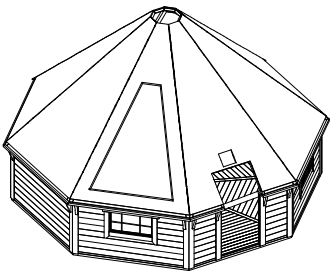
2 Step



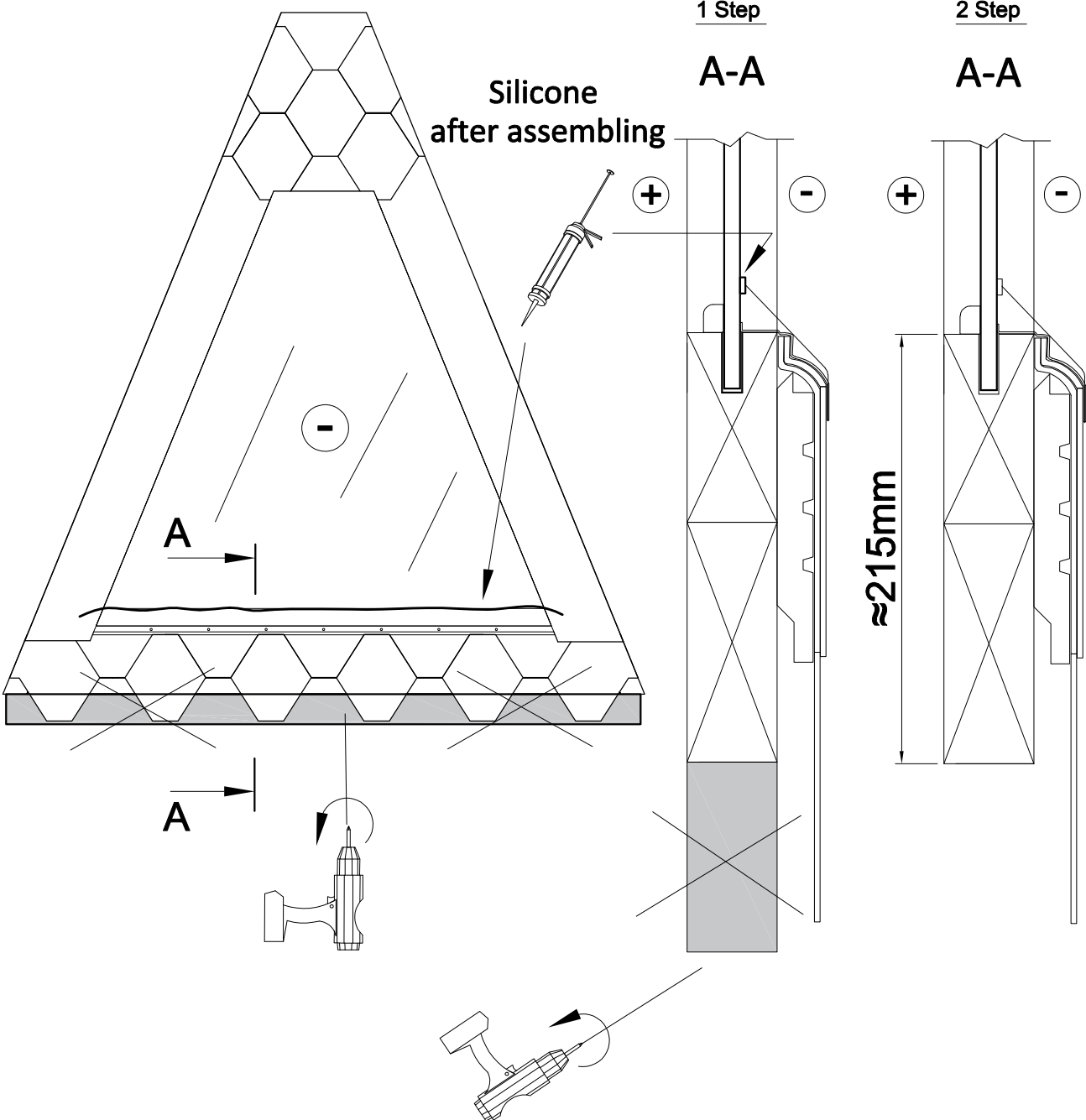
3 Step



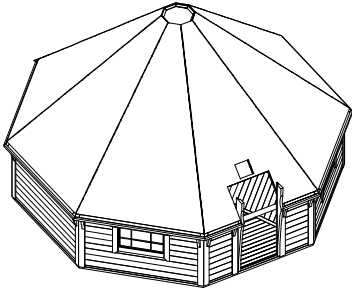
7.1 Grill / Camping Cabin 25 ROOF



GR25-StogL-2359x3642
or
GR25-I-StogL-2359x3642



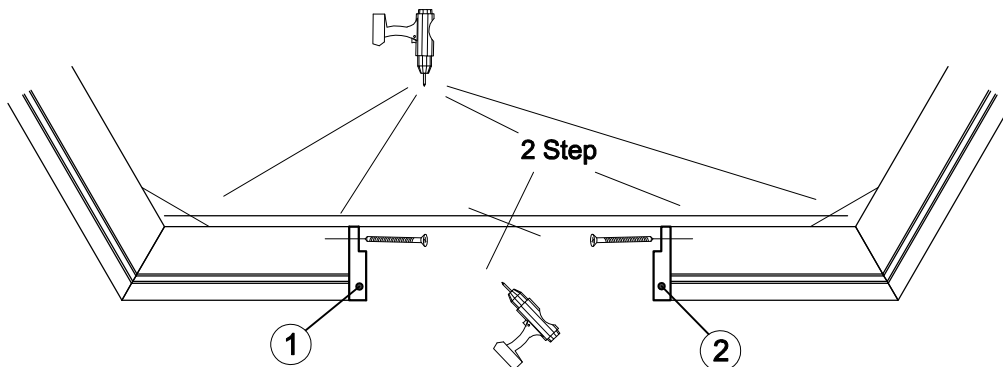
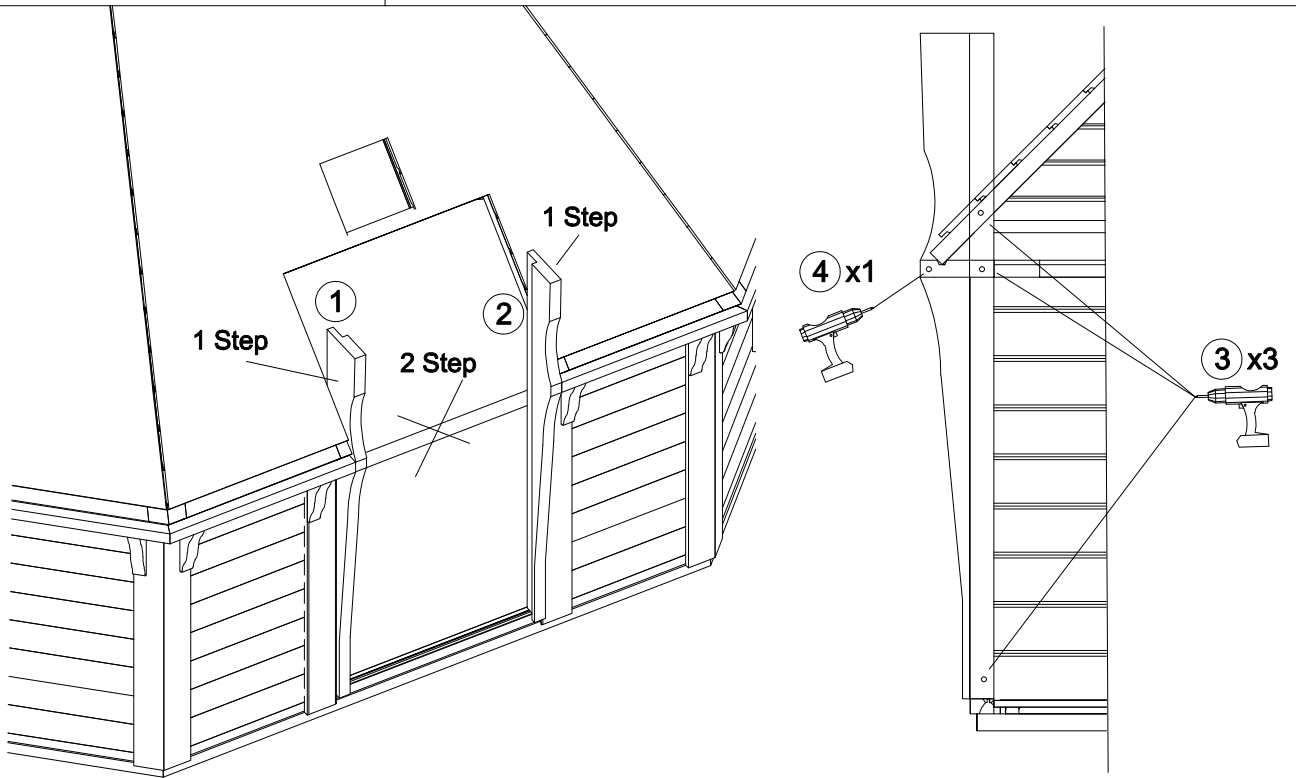
8. Grill / Camping Cabin 25 Entrance support

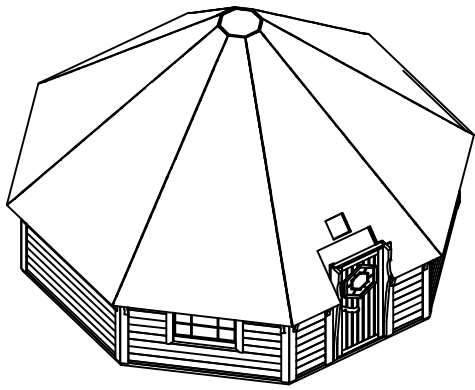


M-45x195x1630-CNC(k)
or
M-45x195x1760-CNC(k)
or
M-45x195x1890-CNC(k)



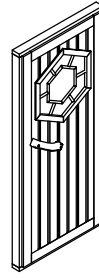
M-45x195x1630-CNC(k)
or
M-45x195x1760-CNC(d)
or
M-45x195x1890-CNC(d)





9. Grill / camping cabin 25 Outside door

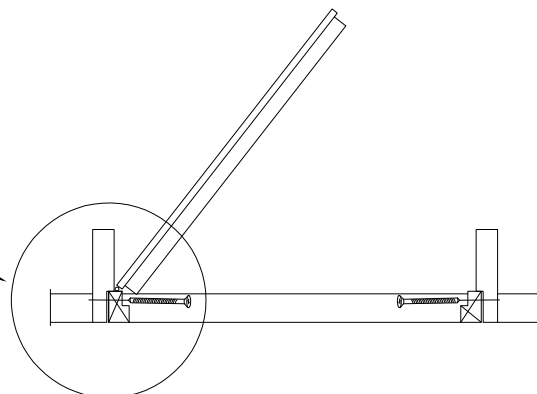
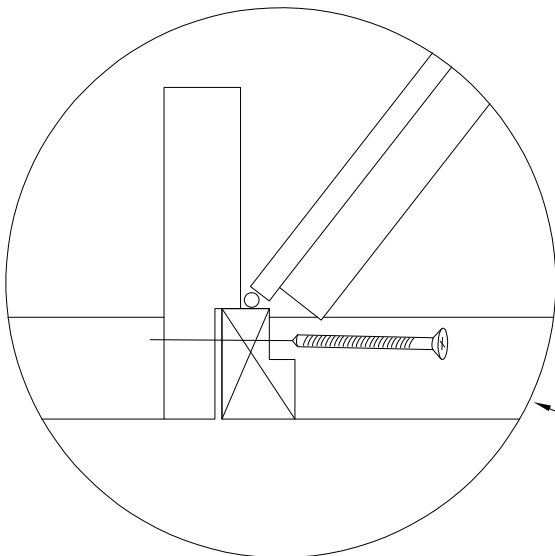
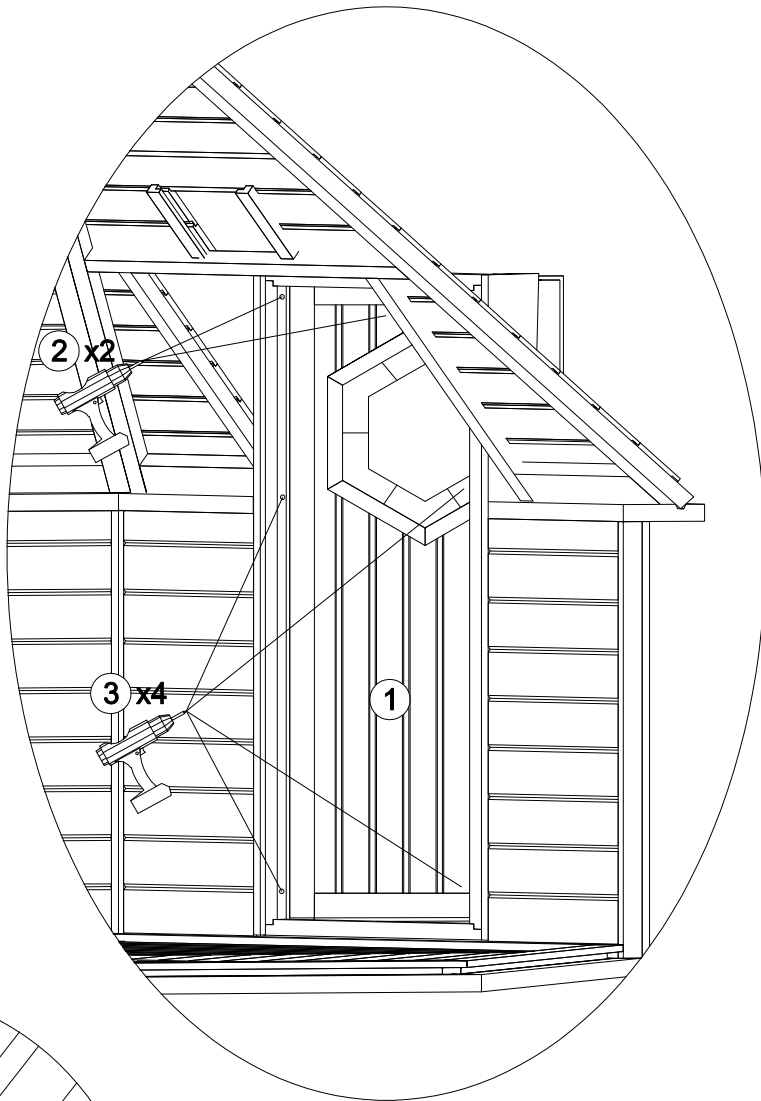
① x1
PUS00013
or
PUS00060
or
PUS00317



② x2
T-BC-4x50



③ x4
T-GC-5x100

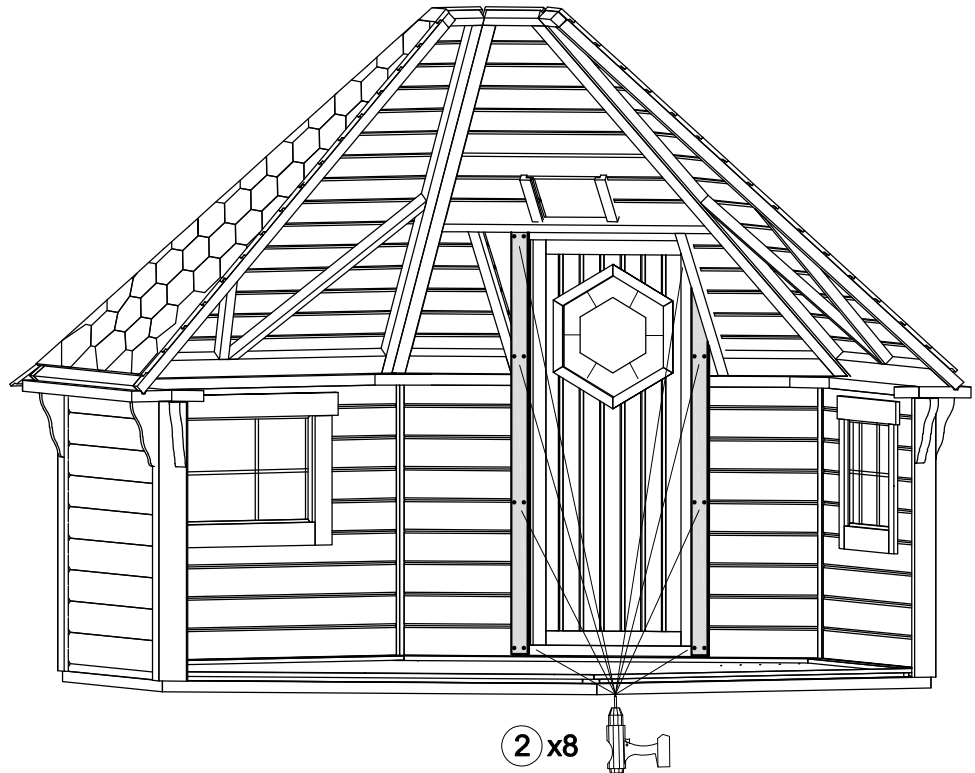
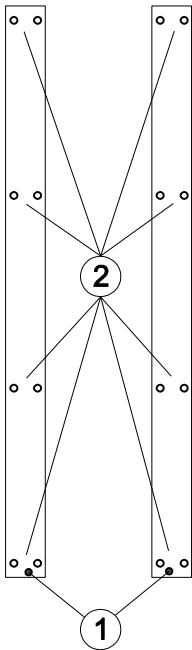


9.1 Grill / Camping Cabin 25 Inside finishing board

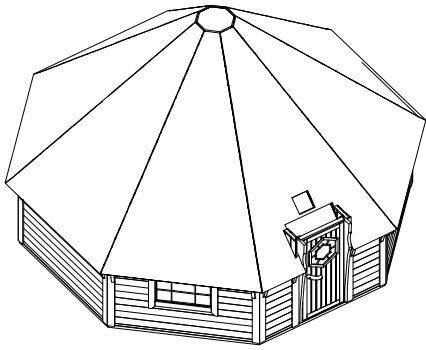
① x2
M-18x70x1624
or
M-18x70x1754
or
M-18x70x1884



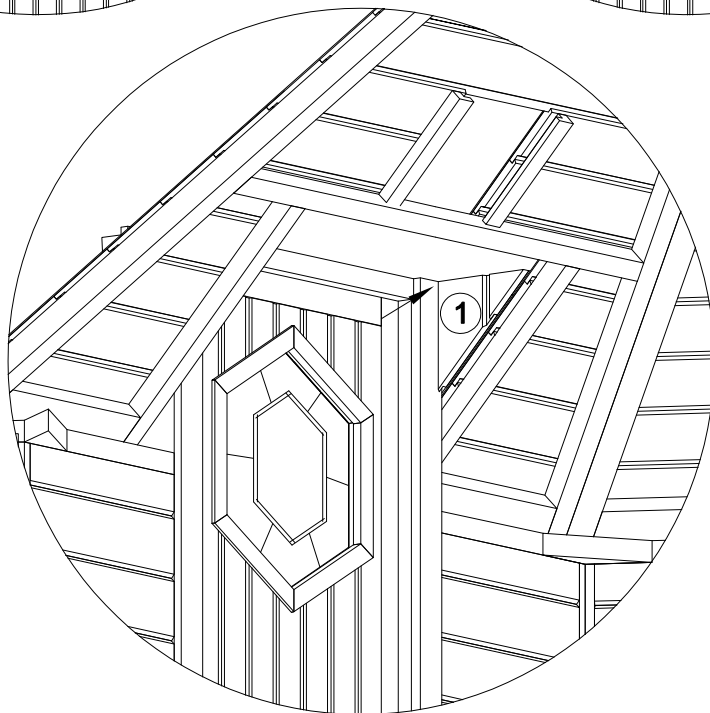
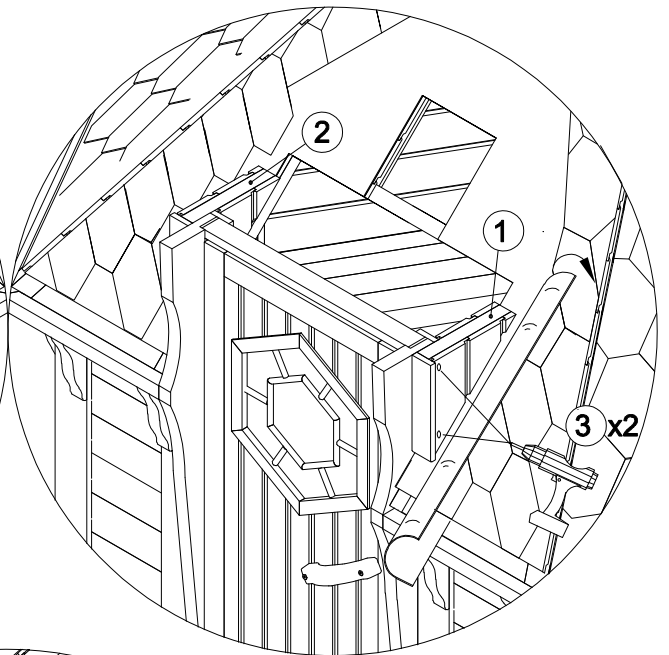
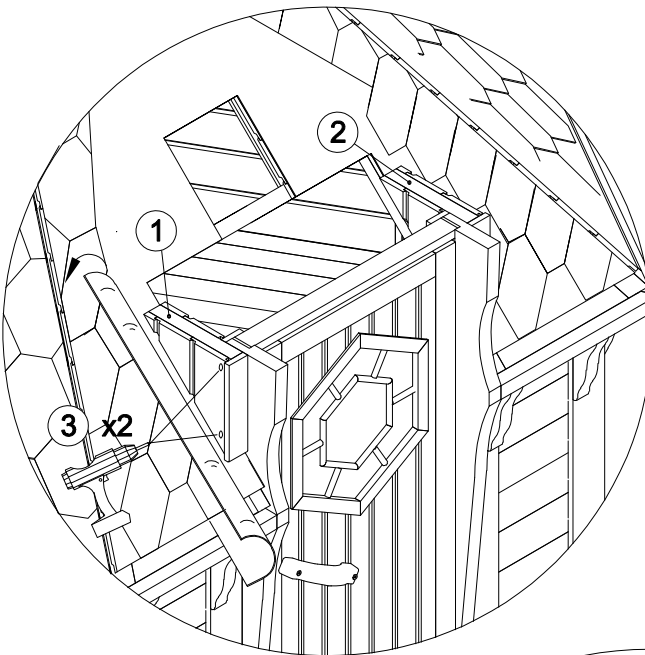
② x16
T-GC-3.5x45



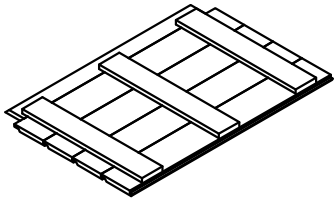
10. Grill / camping cabin 25 Entrance assembly



- ① x1
GR-trikamp-313x331-(k)
- ① x1
M-45X136X271-F
- ③ x4
T-GC-5x80
- OR
- ② x1
GR-trikamp-313x331-(d)
- ② x1
M-45X136X271-F

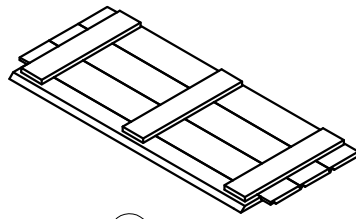


10.1 Grill / Camping Cabin 25 Entrance assembly



① x1
GR-lubos-636x939

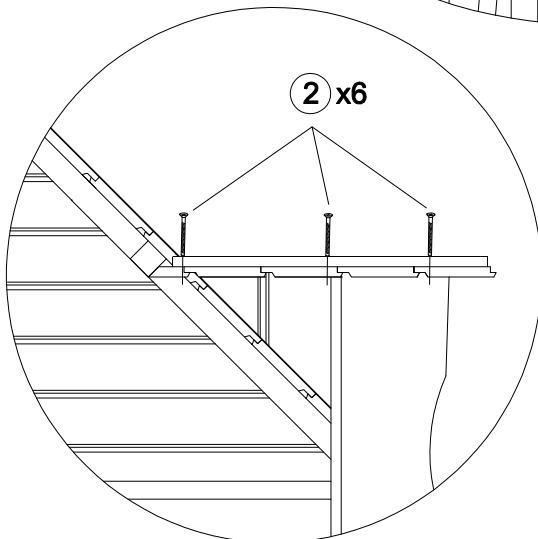
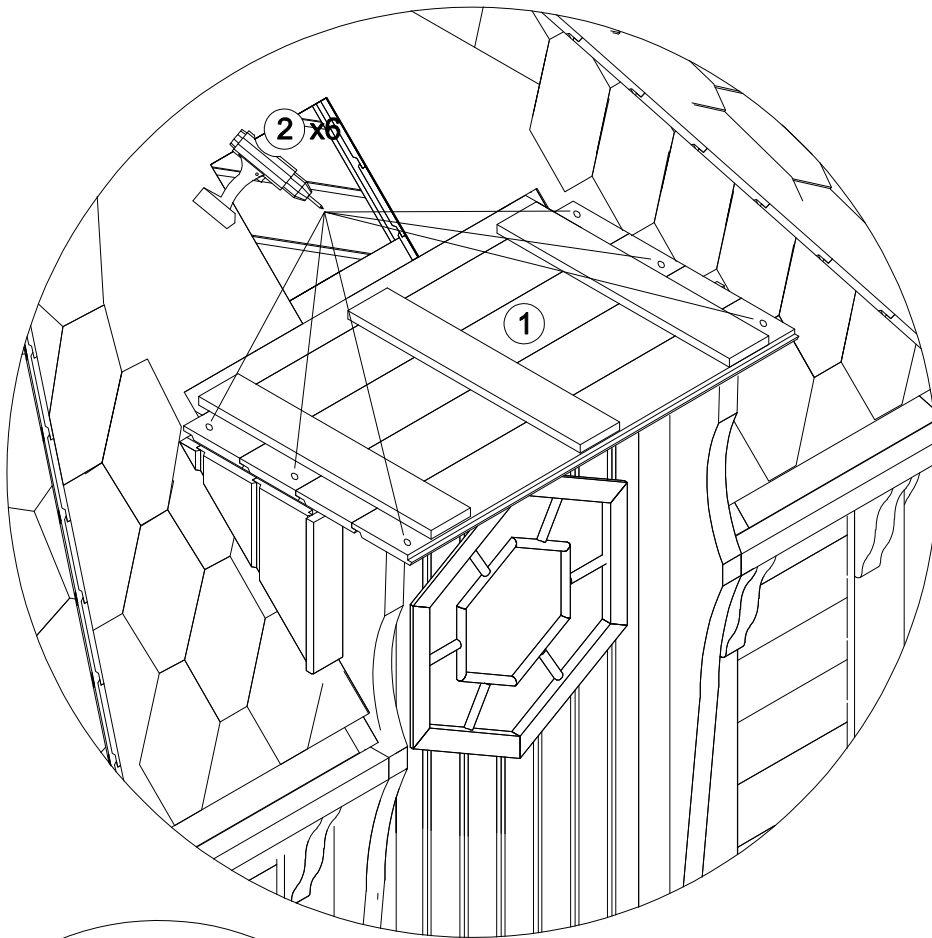
OR



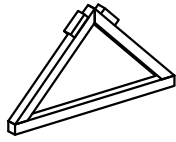
① x1
GR-lubos-507x1159



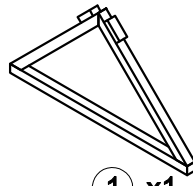
② x6
T-GC-4x70



10.2 Grill / Camping Cabin 25 Entrance assembly



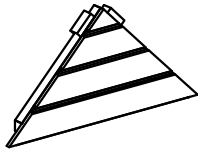
① x1
GR-Stog-trik-453x815



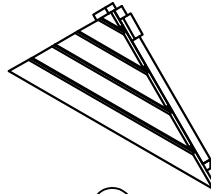
① x1
GR-Stog-trik-563x1035



③ x4
T-GC-5x100



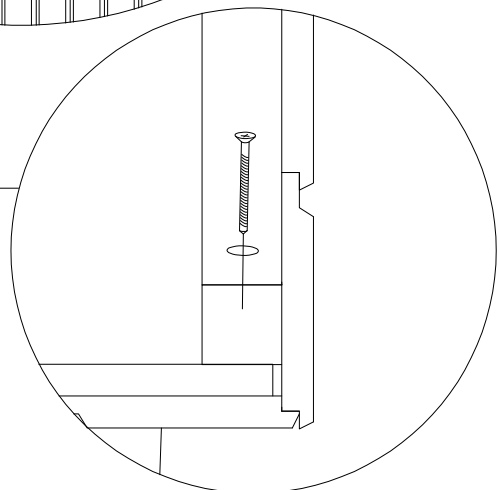
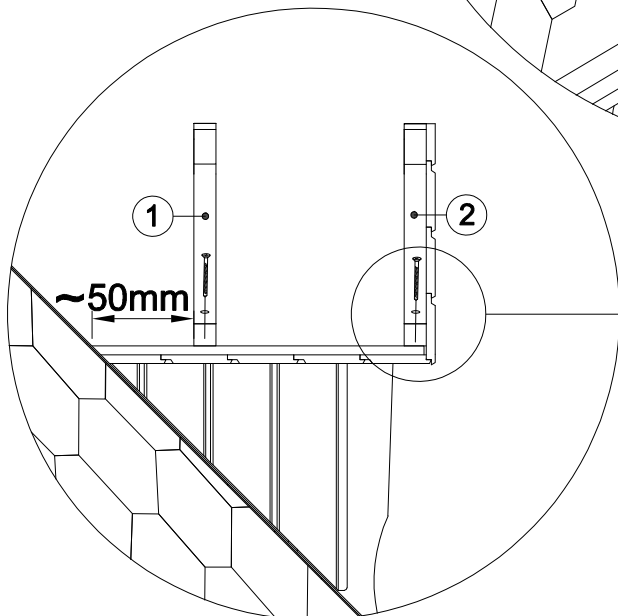
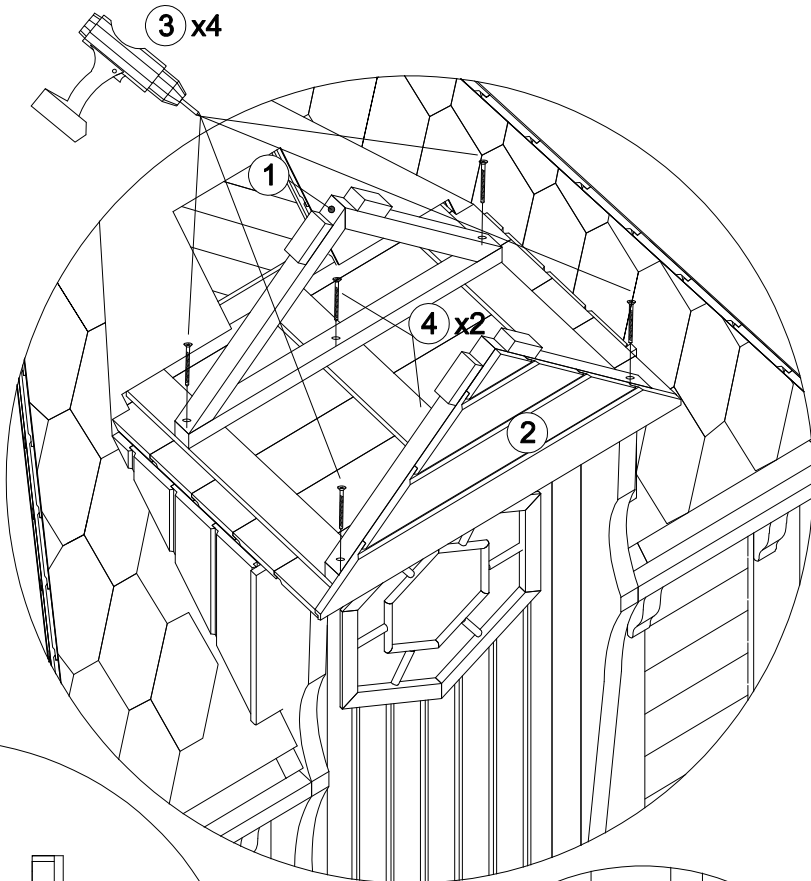
② x1
GR-Pr-trik-491x981



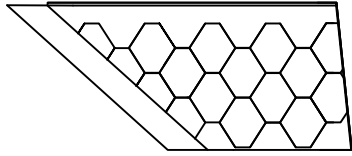
② x1
GR-Pr-trik-601x1202



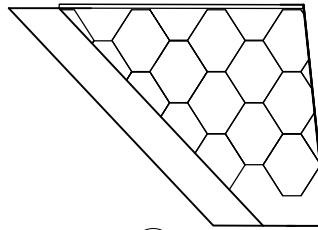
④ x2
T-GC-4x70



10.3 Grill / Camping Cabin 25 Entrance assembly



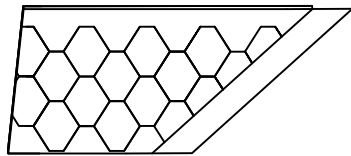
① x1
GR-Stog-845x1090-(k)



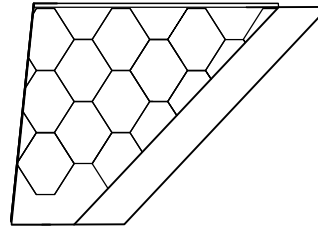
① x1
OR
GR-Stog-1001x1070-(k)



③ x8
T-GC-5x100

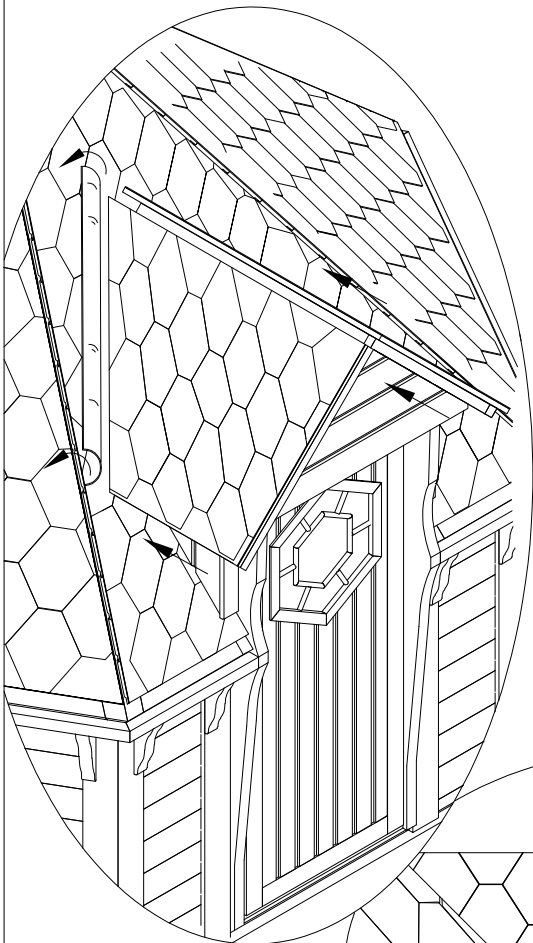


② x1
GR-Stog-845x1090-(d)

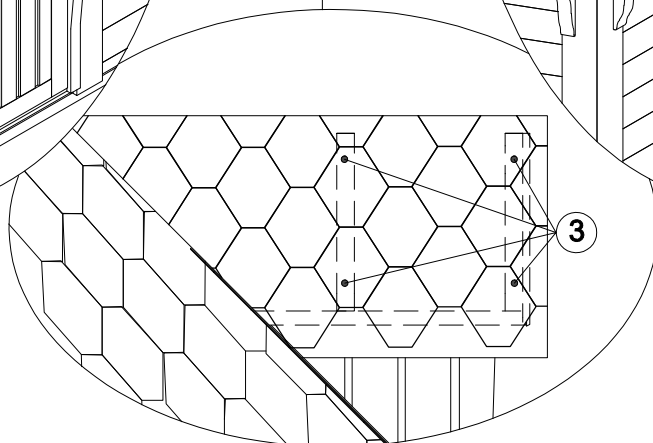
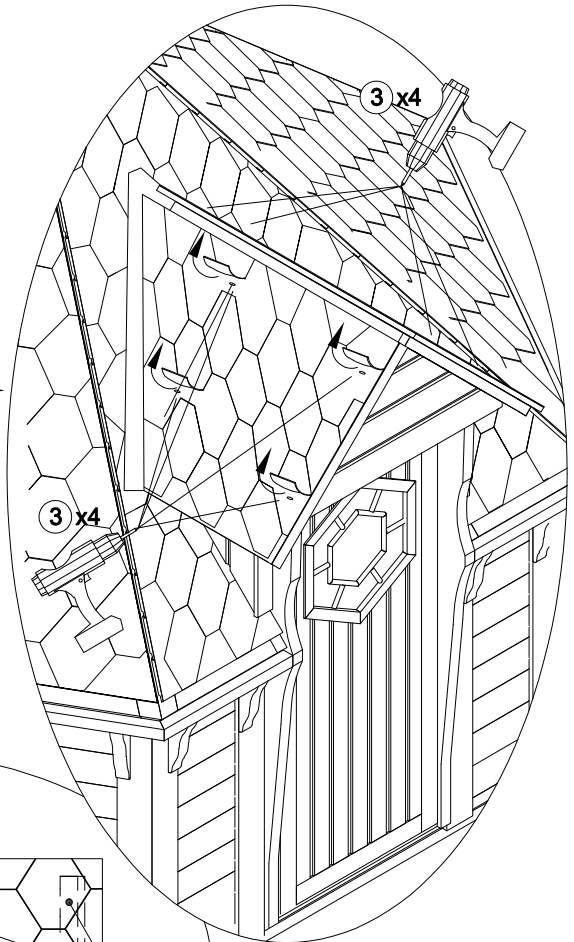


② x1
GR-Stog-1001x1070-(d)

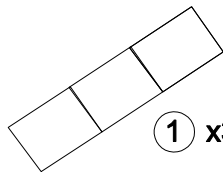
1 Step



2 Step

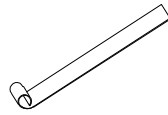


10.4 Grill / Camping Cabin 25 Entrance assembly



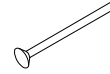
① x3

Bitumines-
cerpes-3x250x1000



② x2

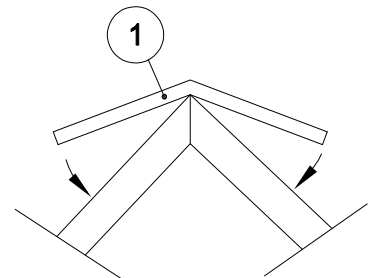
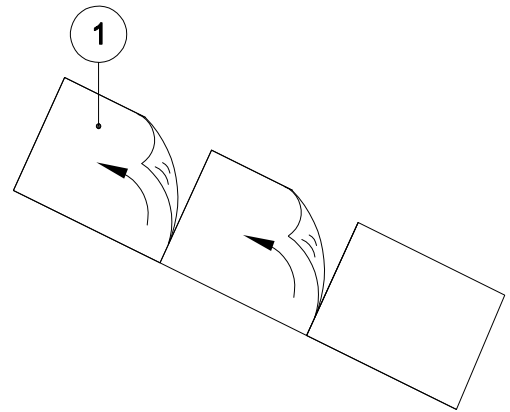
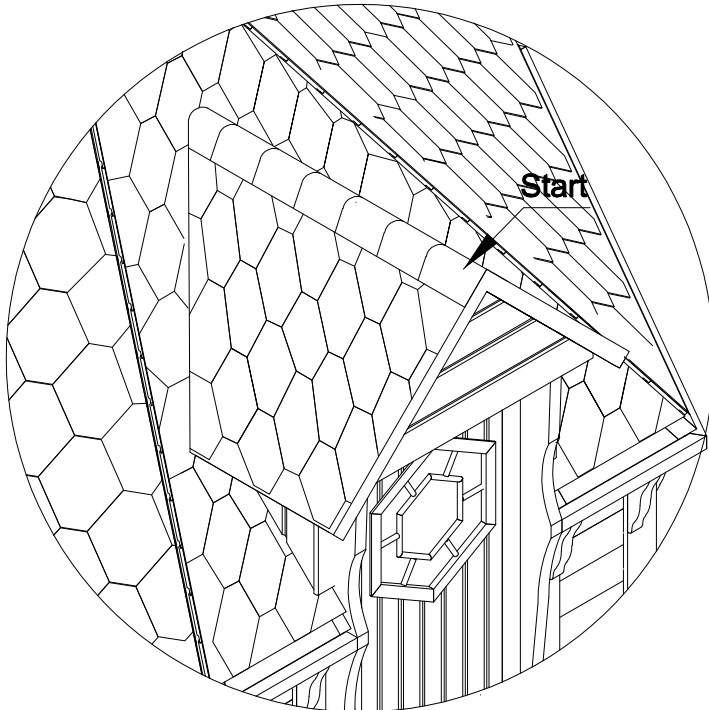
Bitumine-
juosta-3x70x1360



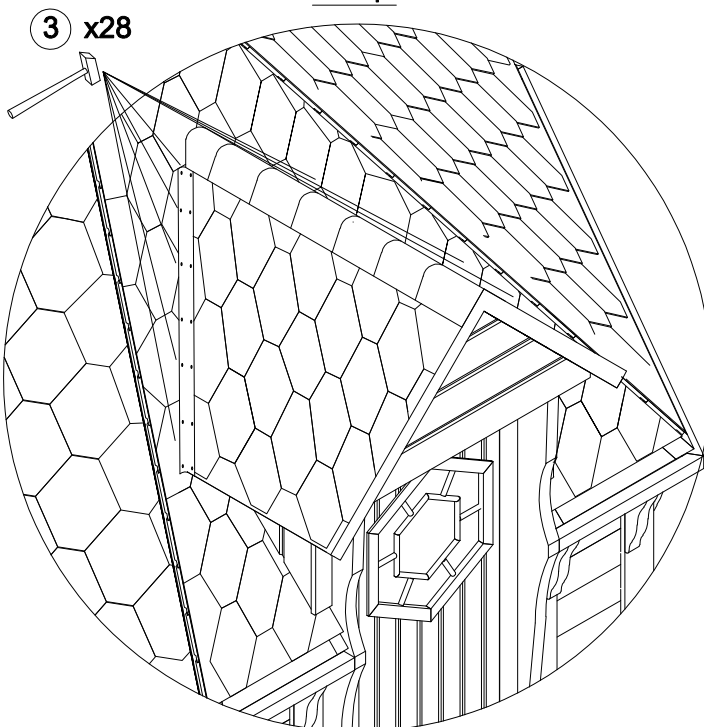
③ x 64

T-V-2x20

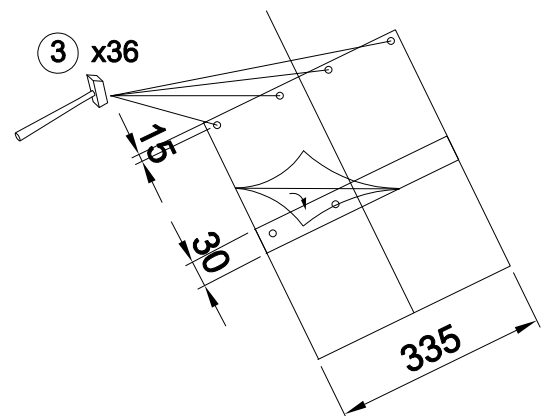
1 Step



2 Step



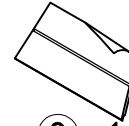
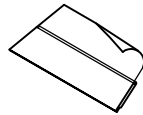
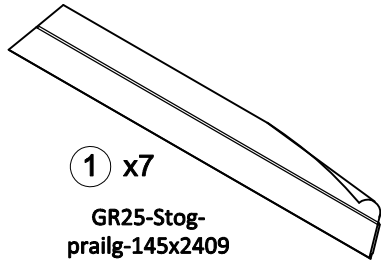
③ x28



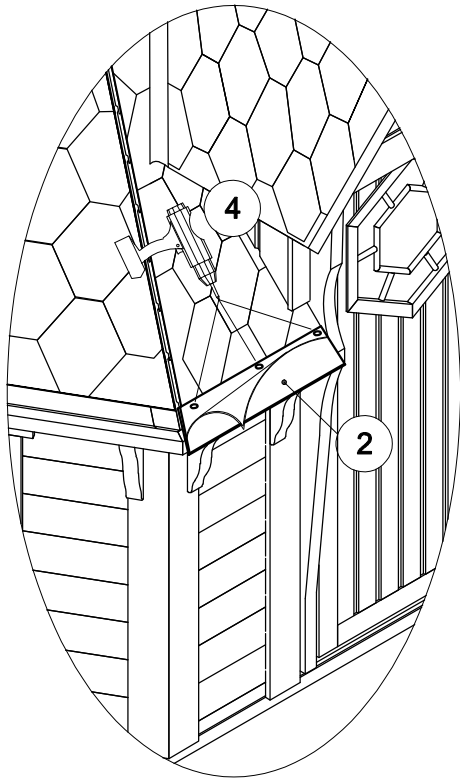
③ x36

11. Grill / Camping Cabin 25

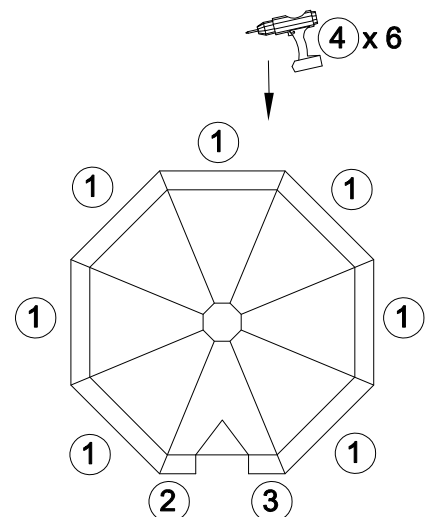
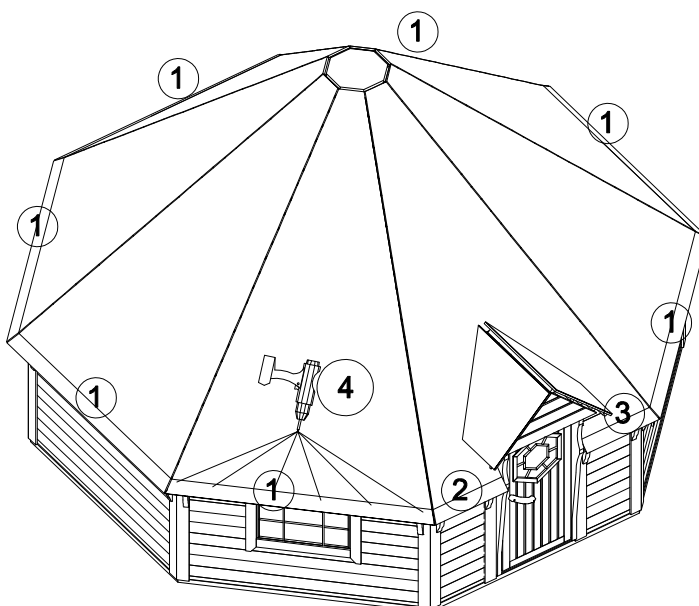
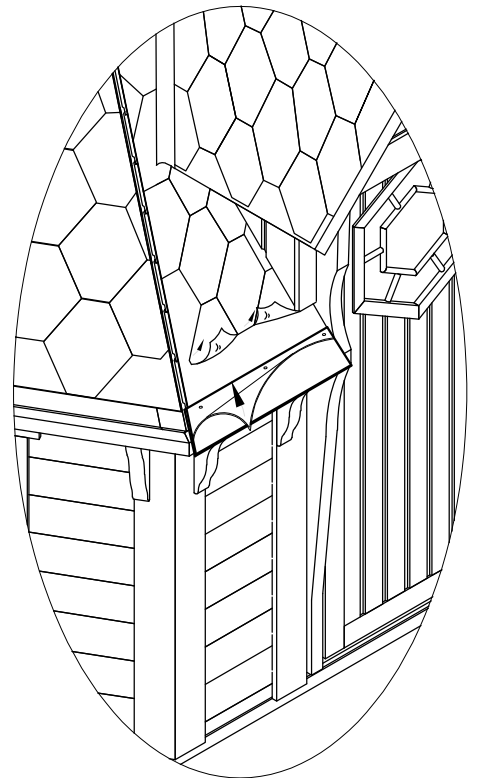
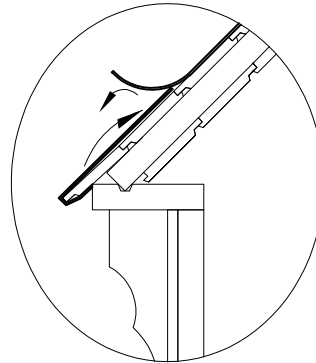
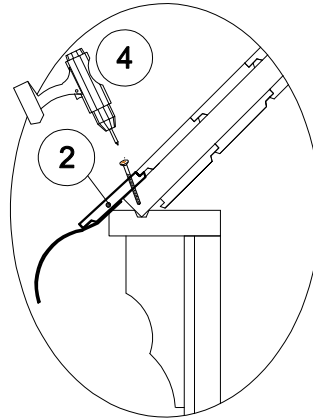
Roof finishing



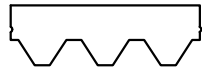
1 Step



2 Step

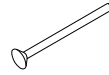


11.1 Grill / Camping Cabin 25 Roof finishing



① x24

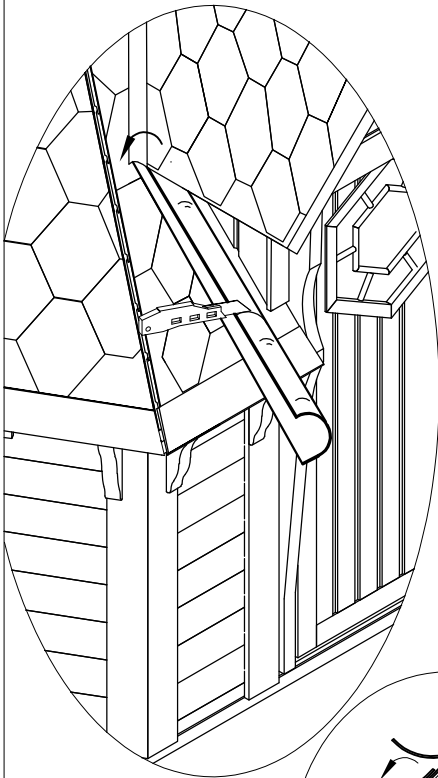
Bitumines-cerpes
-3x317x1000



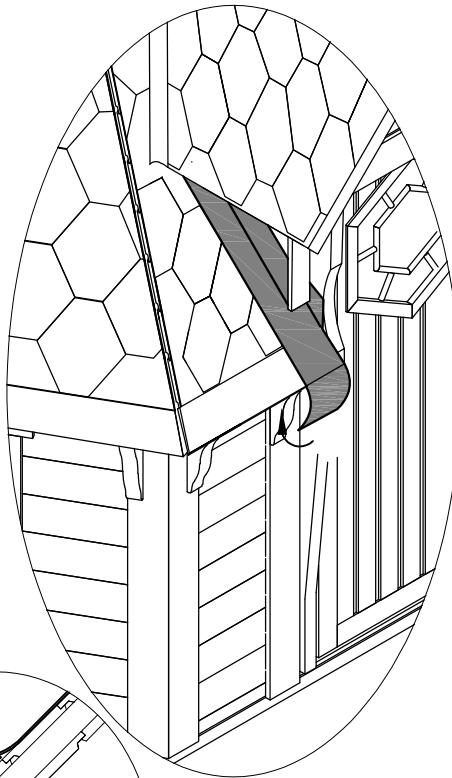
② x 150

T-V-2x20

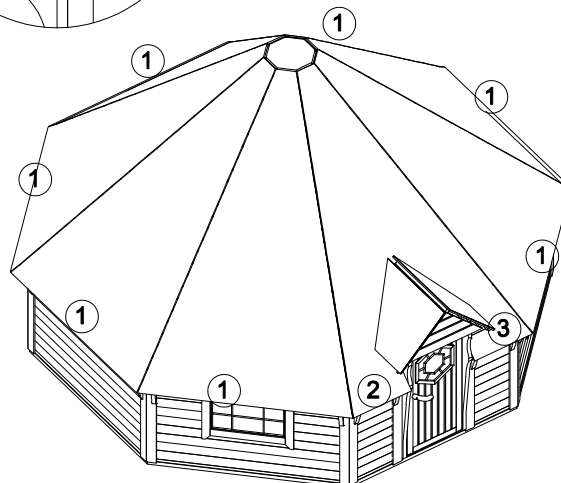
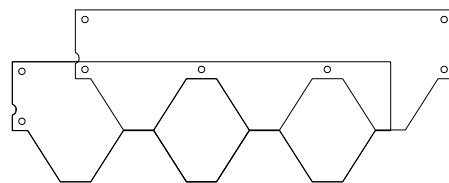
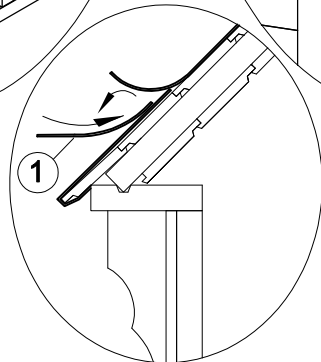
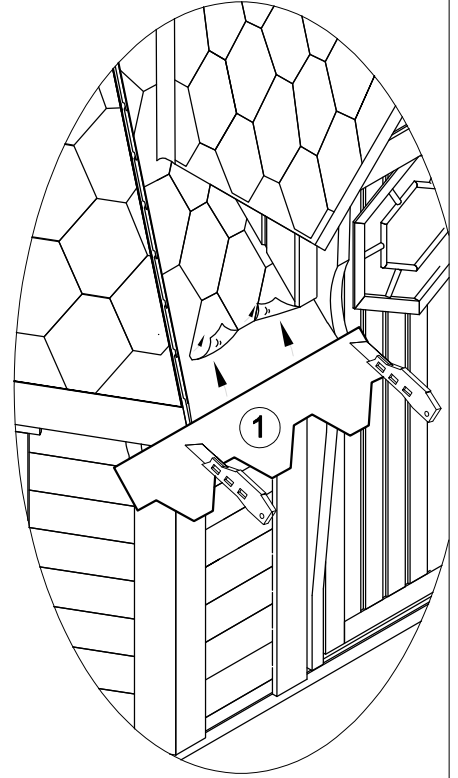
1 Step



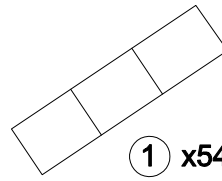
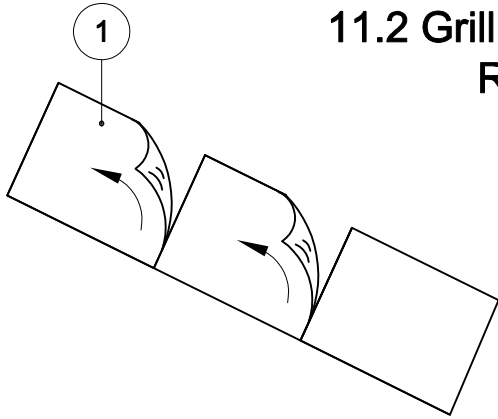
2 Step



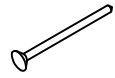
3 Step



11.2 Grill / Camping Cabin 25 Roof finishing

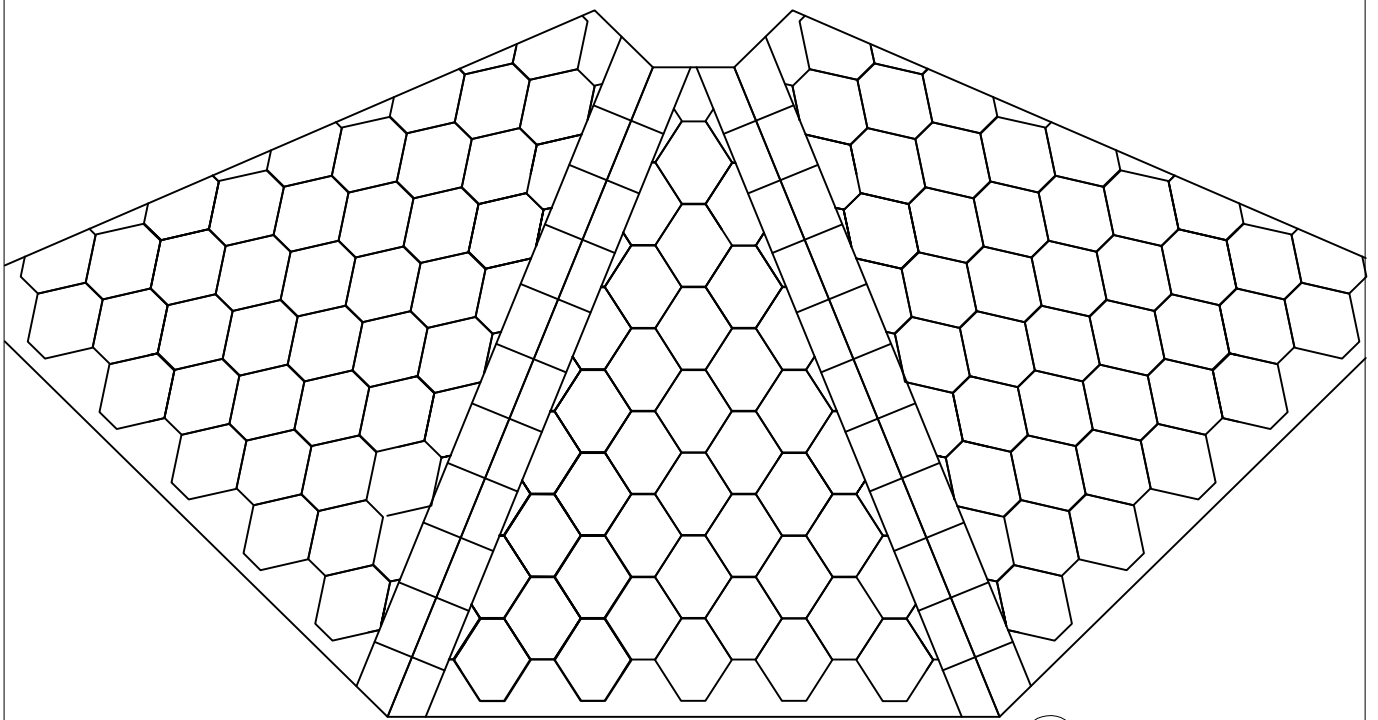


Bitumines-
cerpes-3x250x1000



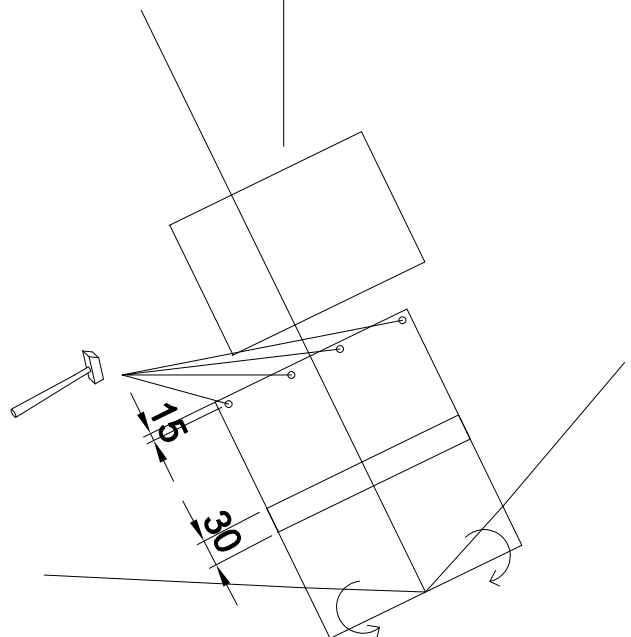
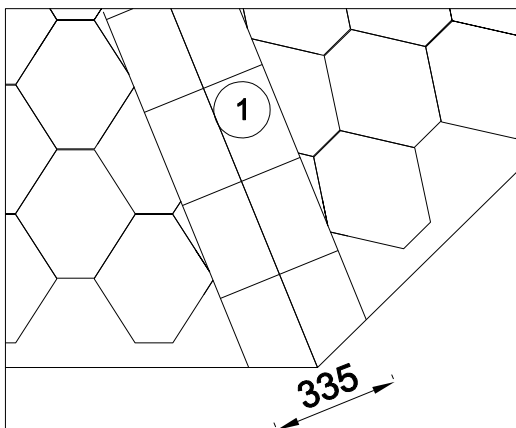
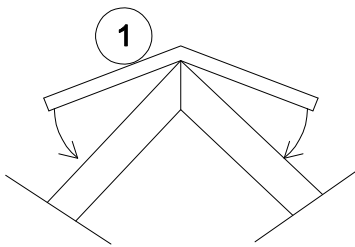
T-V-2x20

T-V-2x20



1

1

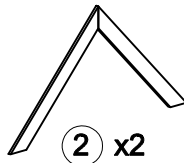


12. Grill / camping cabin 25 Outside finishing board



① x2

M-18x95x820-CNC
or
M-18x95x981-CNC



② x2

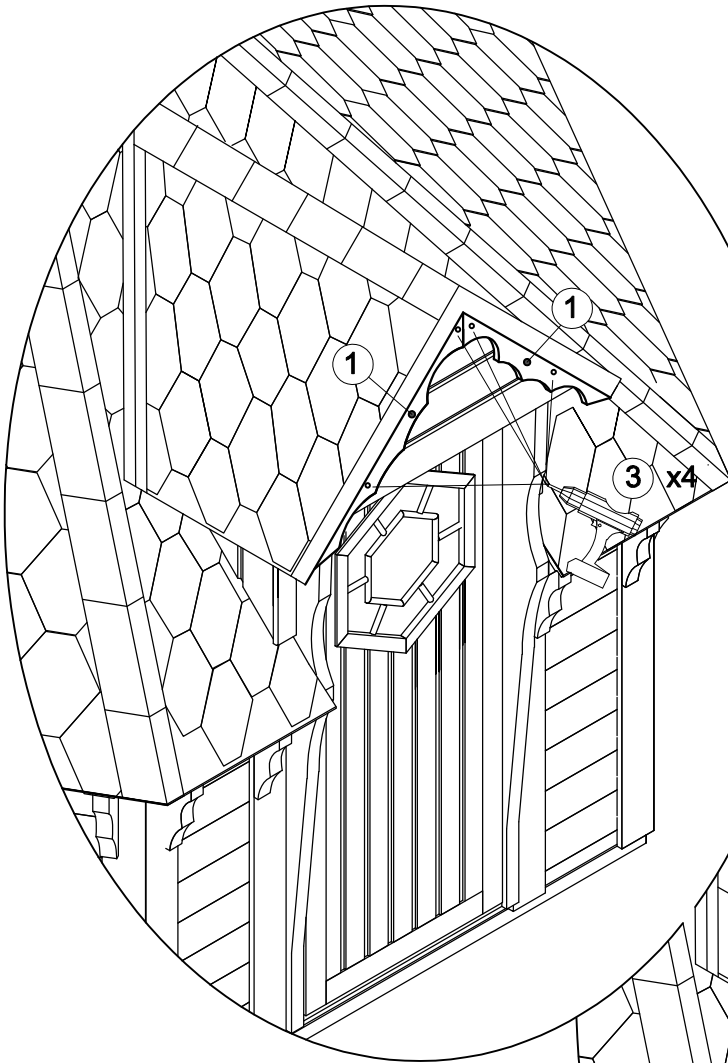
M-18x95x1050-F
or
M-18x95x1211-F



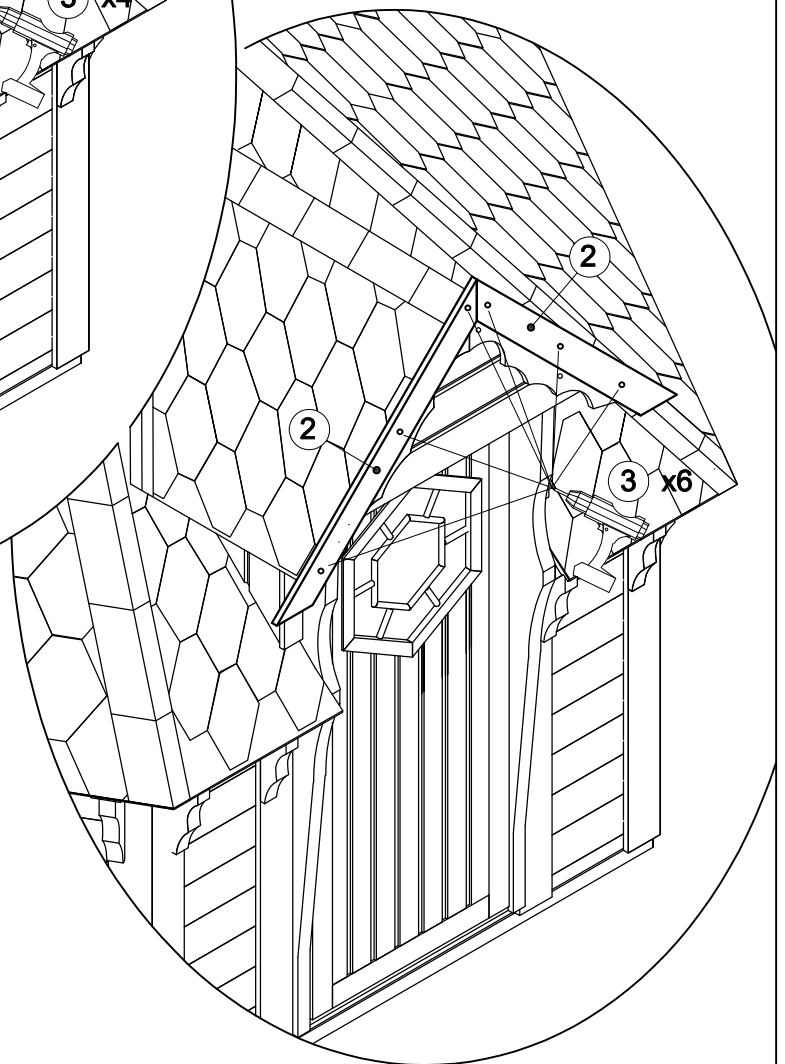
③ x10

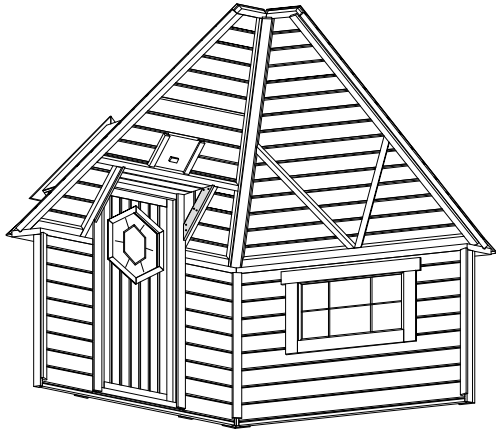
T-GC-3.5x45

1 Step

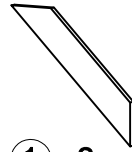


2 Step



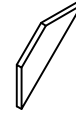


13. Grill / Camping Cabin 25 Inside finishing board



① x2
M-18x83x488-F

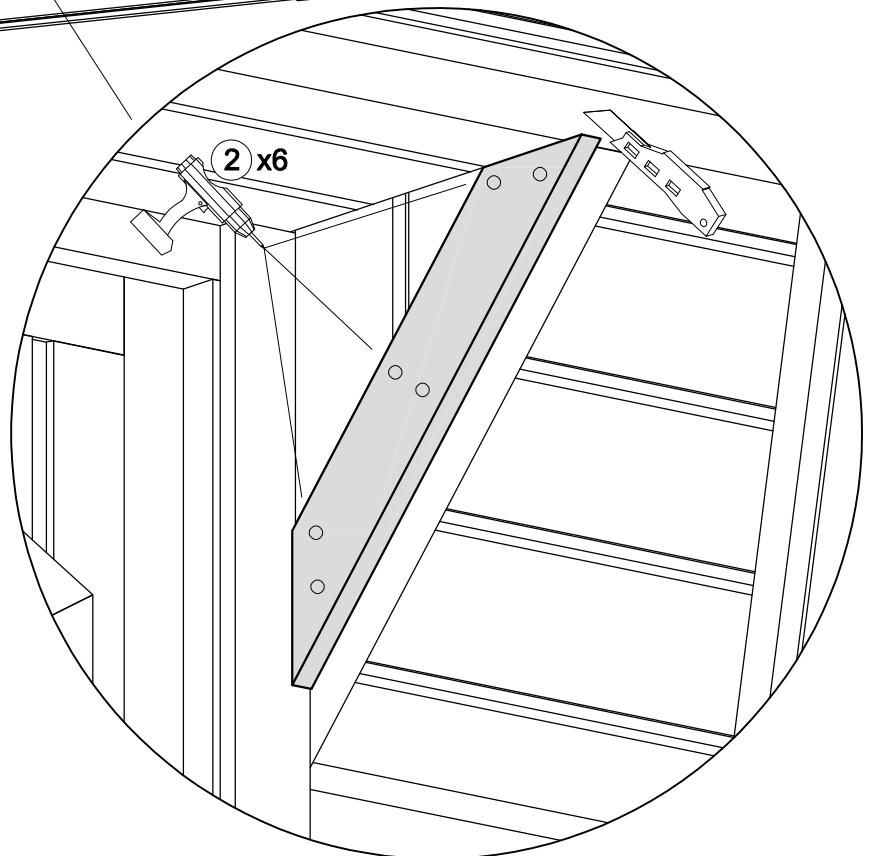
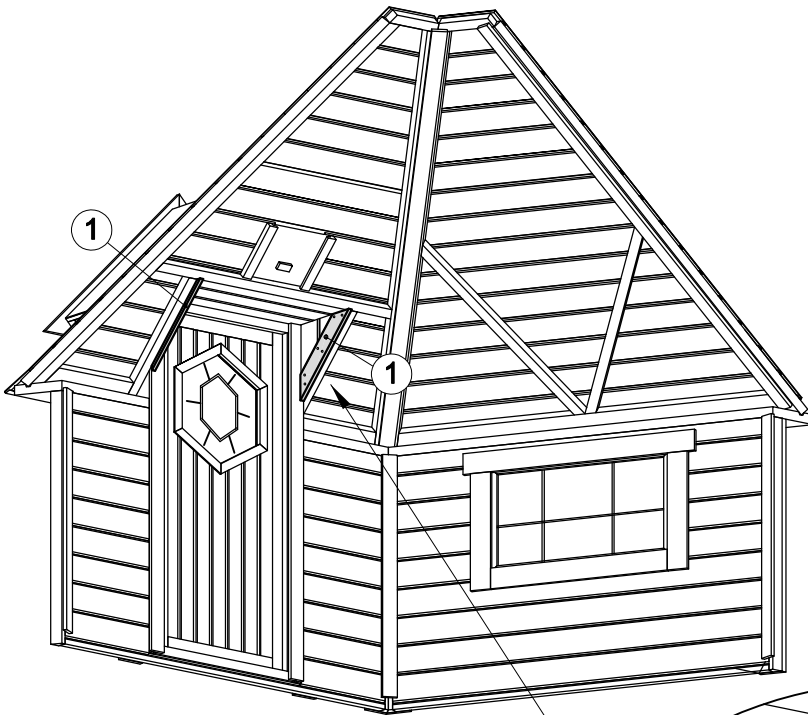
OR



① x2
M-18x95x318-F



② x12
T-GC-3.5x45

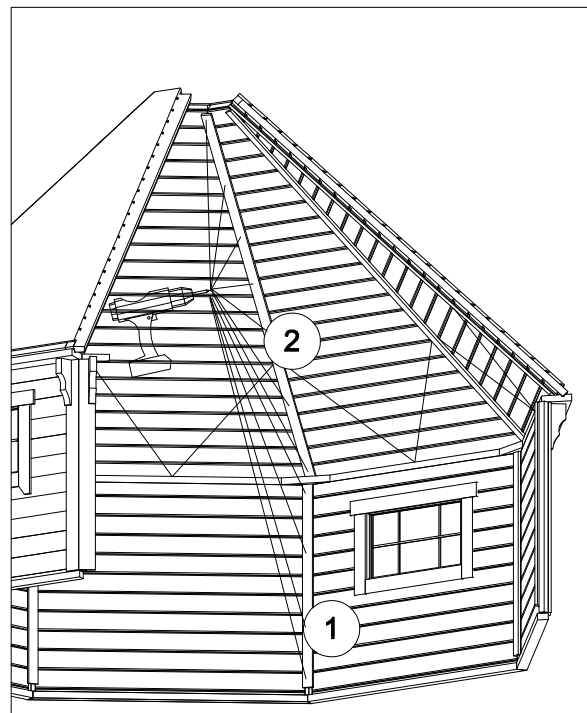
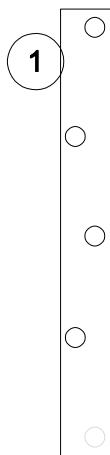
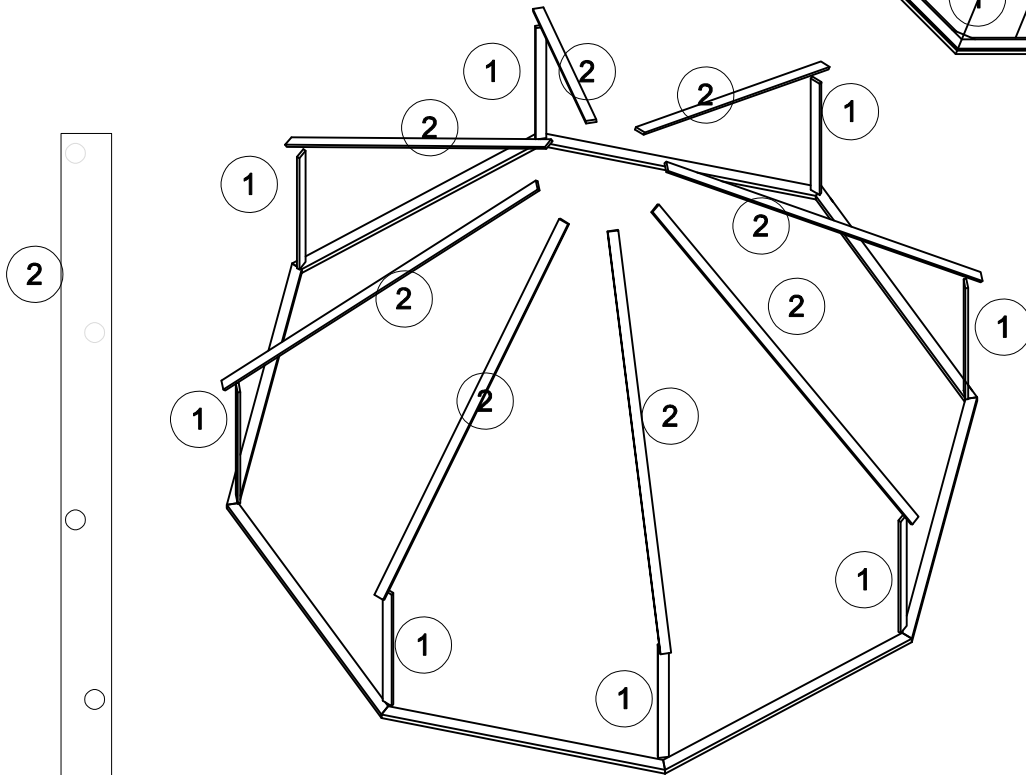
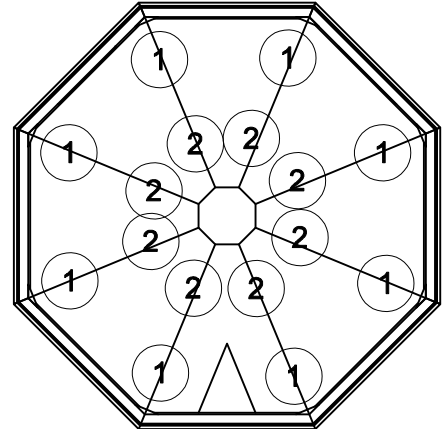


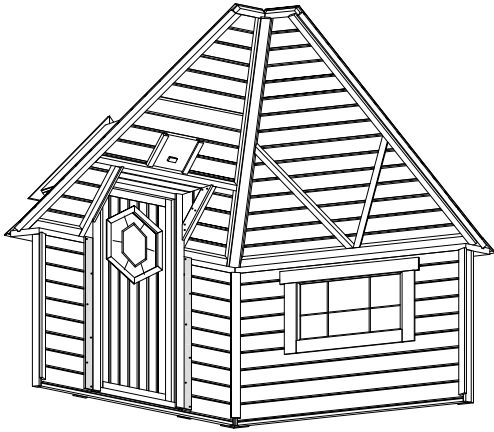
13.1 Grill / Camping Cabin 25 Inside finishing board

1 x8
M-18x70x1105
or
M-18x70x1235
or
M-18x70x1365

2 x8
M-18x70x3710

3 x150
T-GC-3.5X45





13.2 Grill / Camping Cabin 25 Inside finishing board



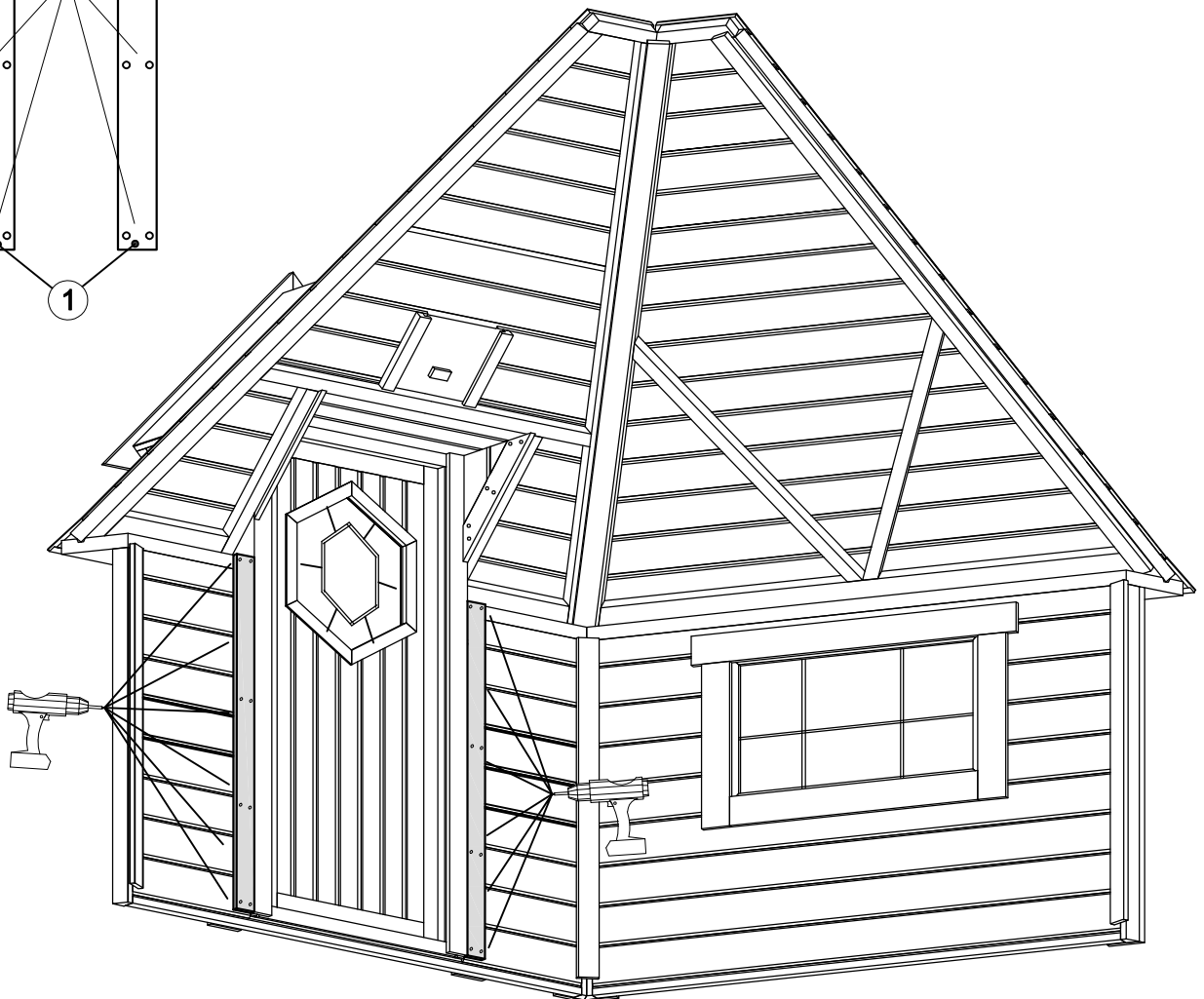
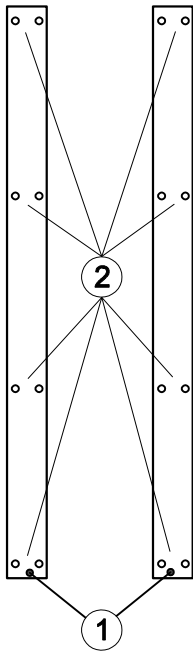
① x2

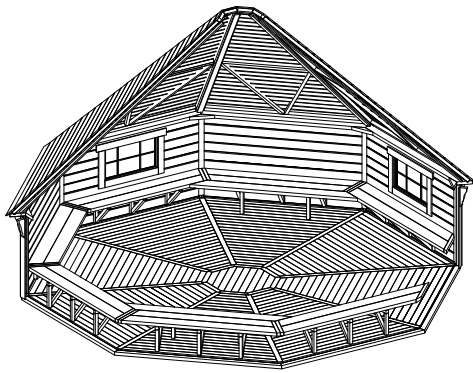
M-18x70x1150
or
M-18x70x1280
or
M-18x70x1410



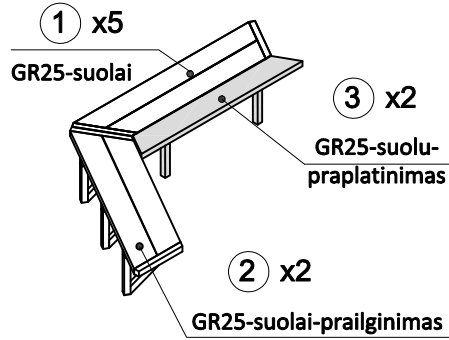
② x16

T-GC-3.5x45

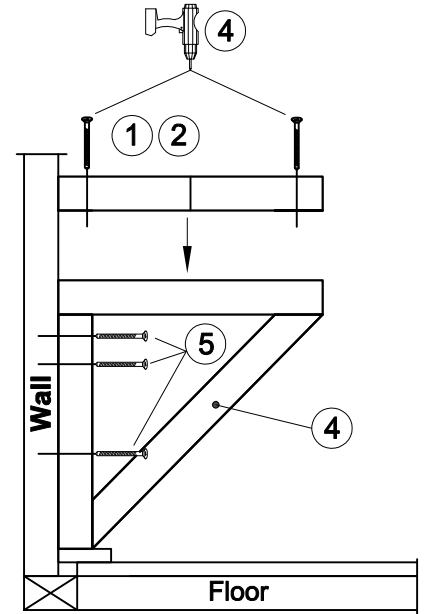
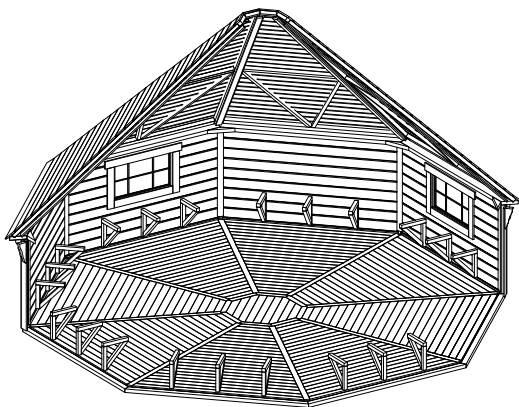




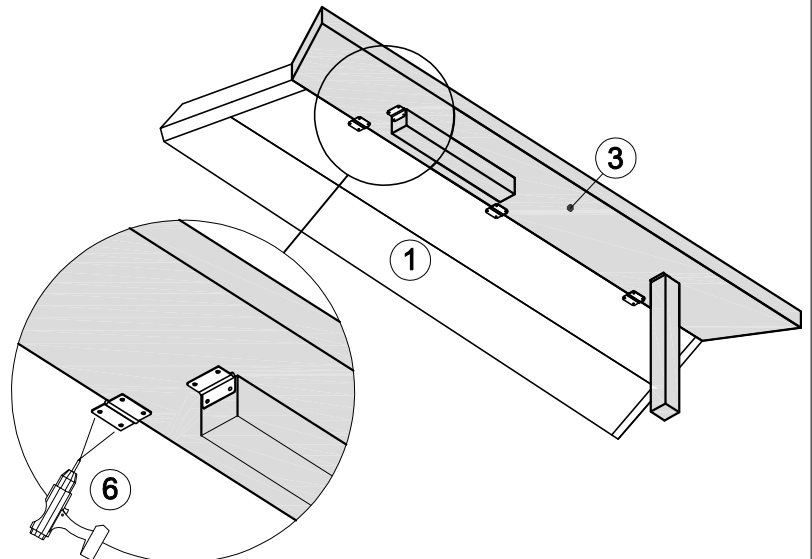
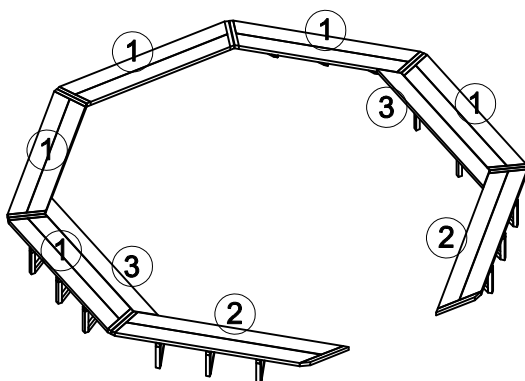
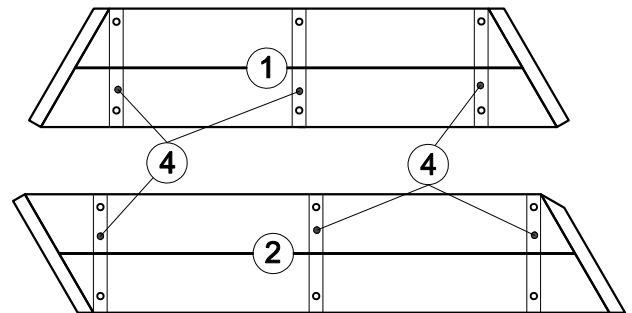
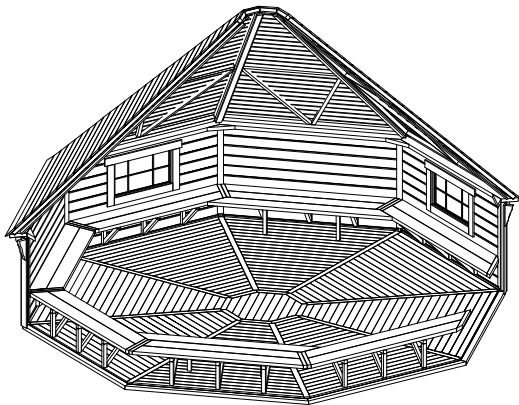
14. Grill / Camping Cabin 25 Assembly of benches



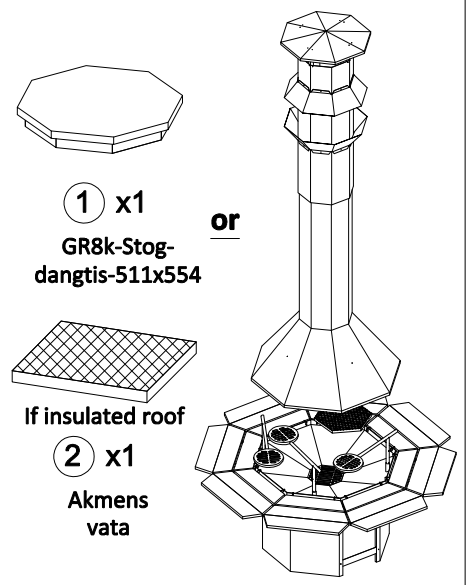
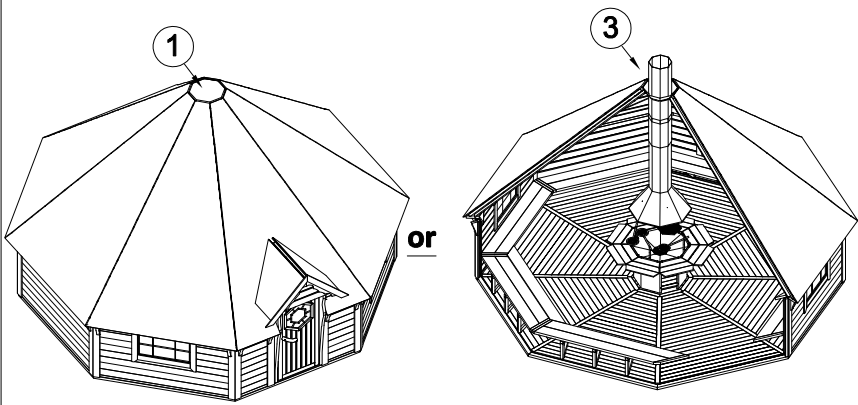
1 Step



2 Step

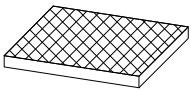


15. Grill / Camping Cabin 25



1 x1
GR8k-Stog-
dangtis-511x554

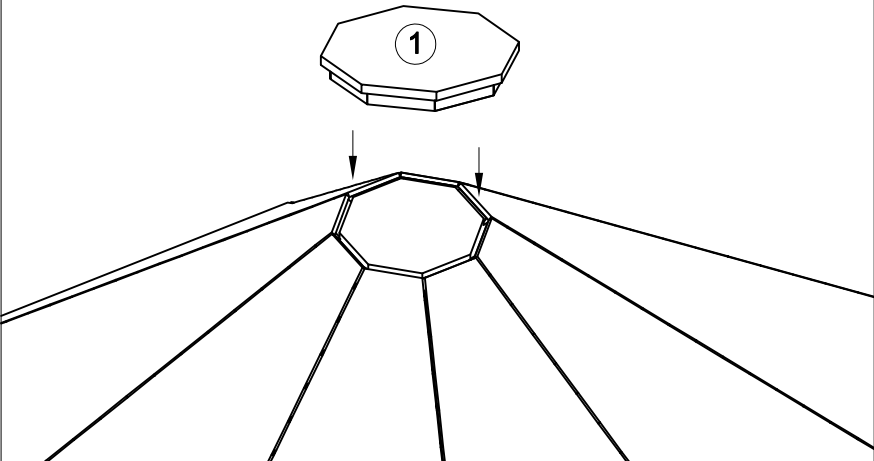
or



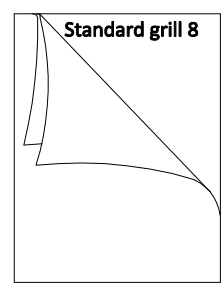
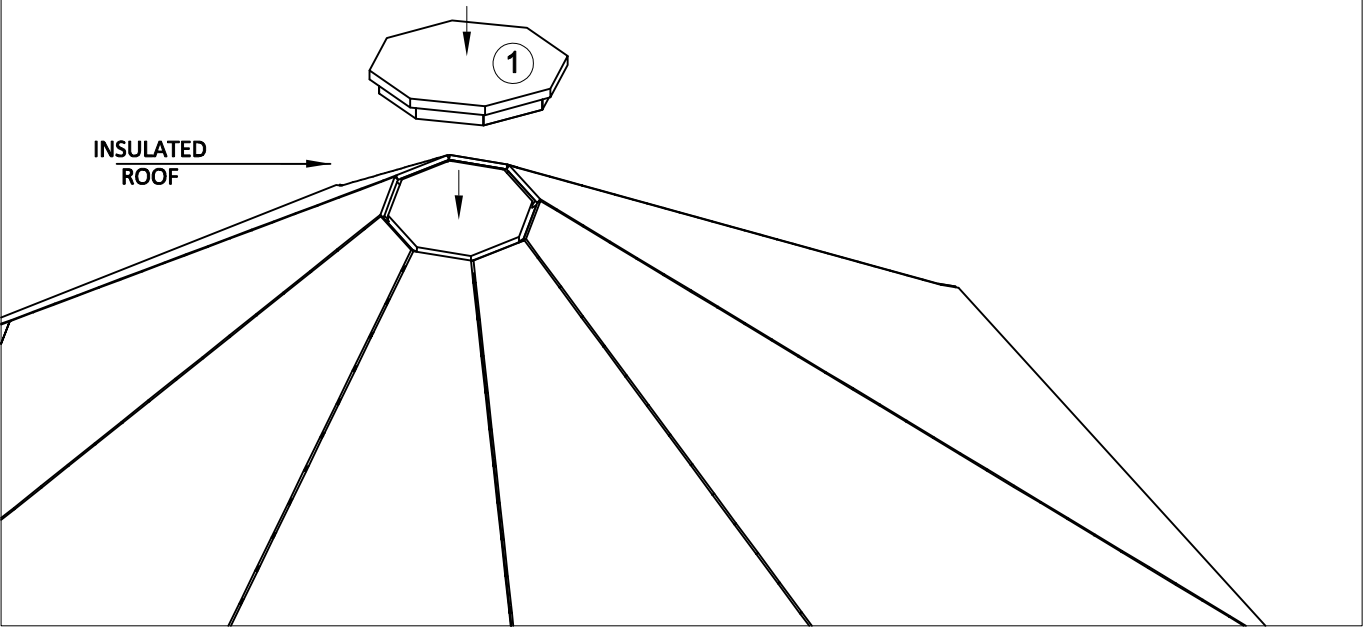
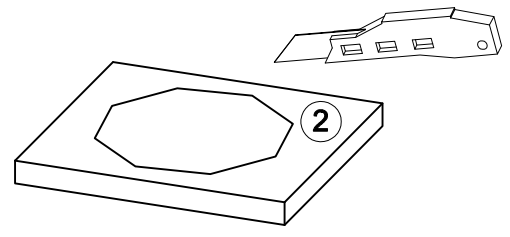
If insulated roof

2 x1
Akmens
vata

3 x1
GRC08
or
GRCV01
or
GRL08
or
GRP08

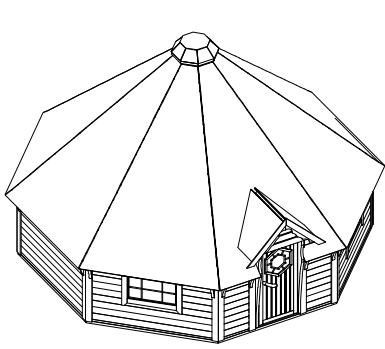


or

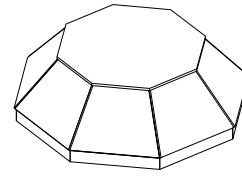
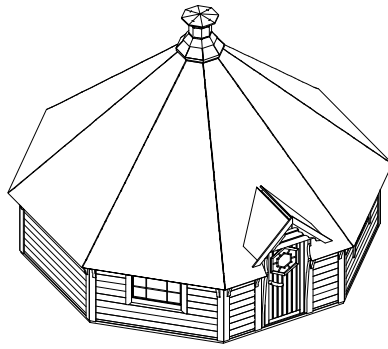


Standard grill 8

16. Grill / Camping Cabin 25 Roof hat



or

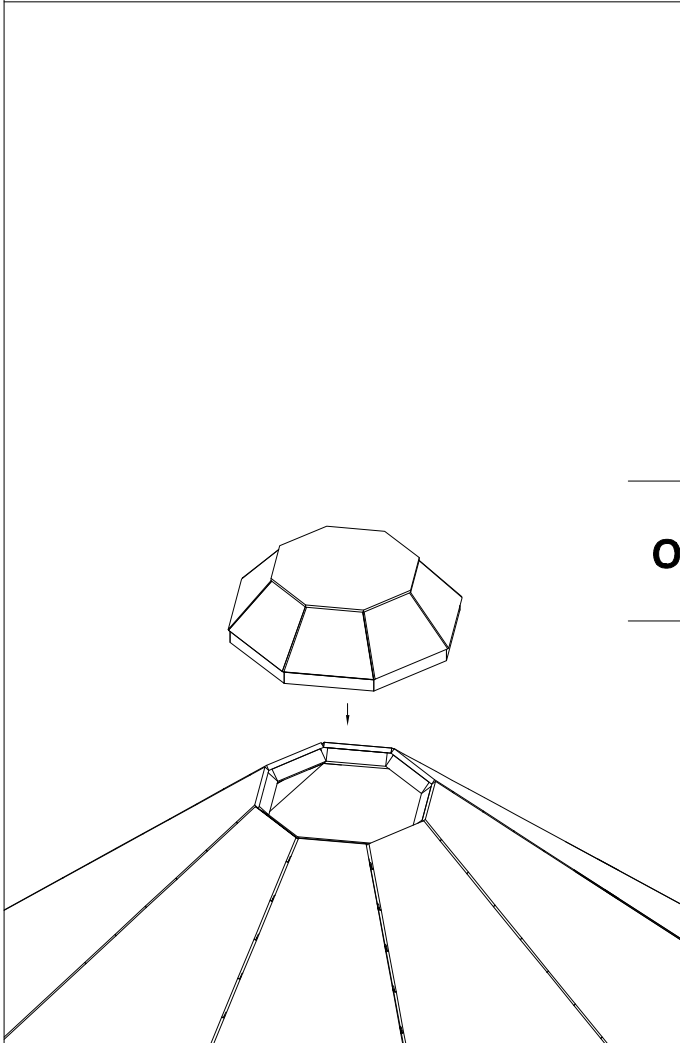


① x1

GR8k-Kepures-dangtis
or
GR8k-Kepure



② x16
T-GC-4x70



or

