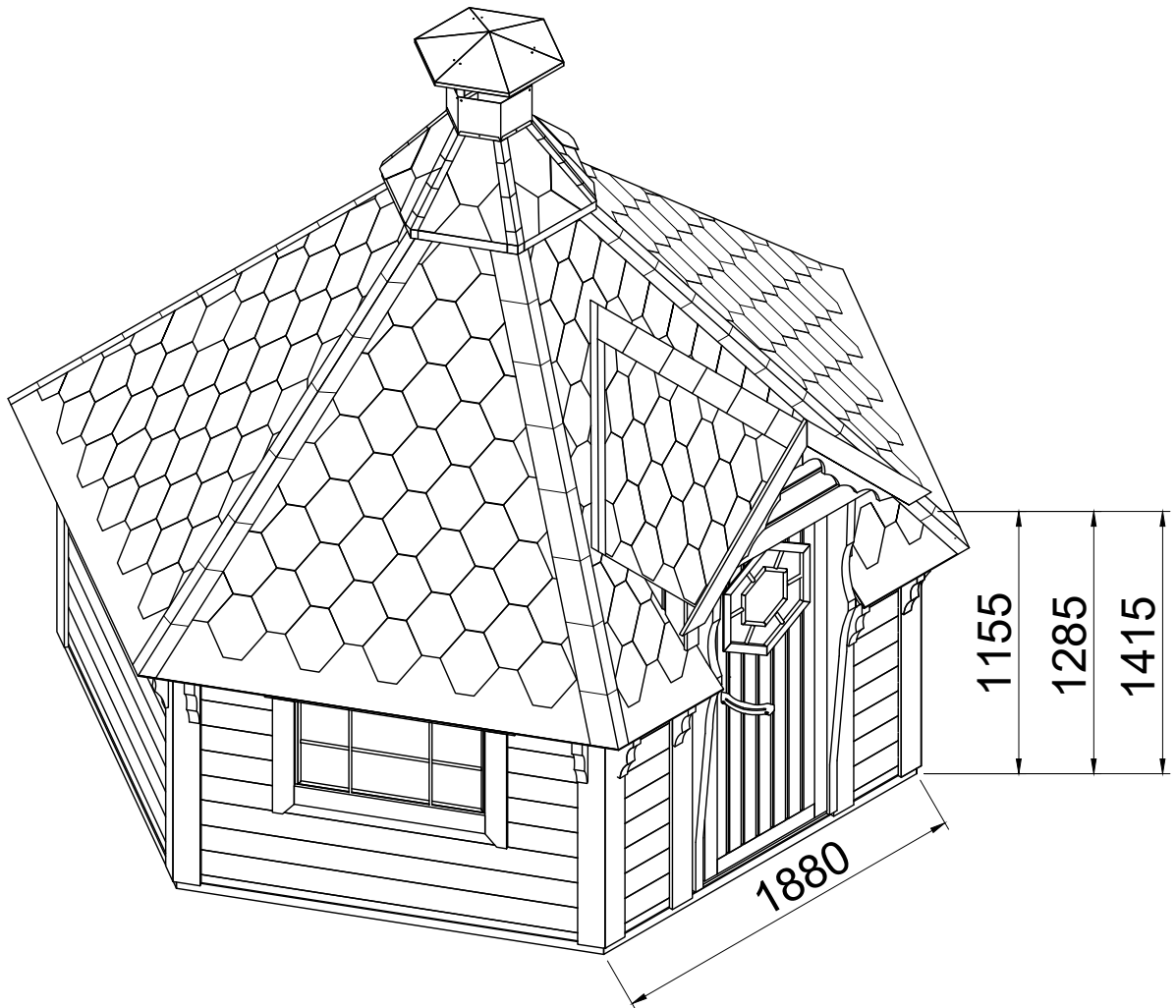
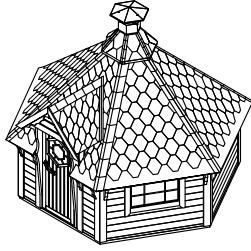


GRILL / CAMPING / SAUNA CABIN 9.2

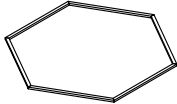


Stages of assembly

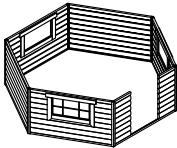
Grill / Camping / Sauna



1. Step:
wood ring



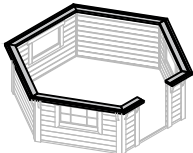
2. Step:
walls



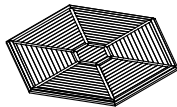
3. Step:
decoration (support)



4. Step:
roof support ring



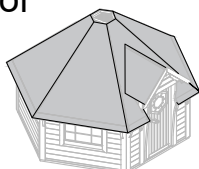
5. Step:
floors



6. Step:
inside wall



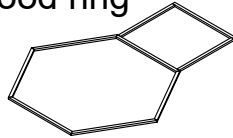
7. Step:
roof



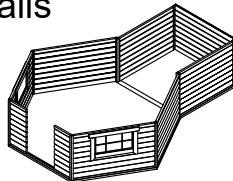
Grill+Extension



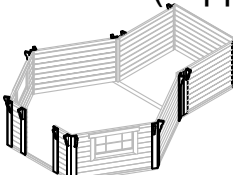
1. Step:
wood ring



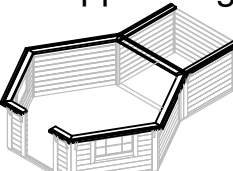
2. Step:
walls



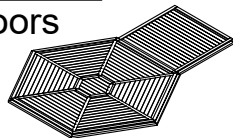
3. Step:
decoration (support)



4. Step:
roof support ring



5. Step:
floors



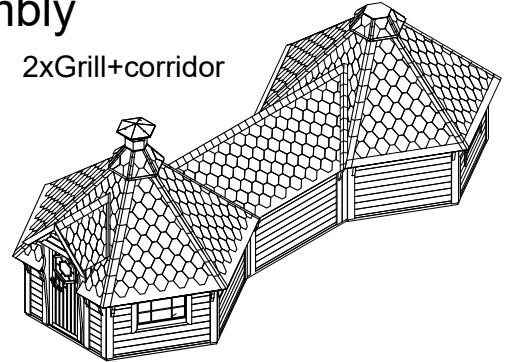
6. Step:
inside wall



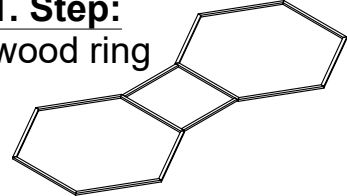
7. Step:
roof



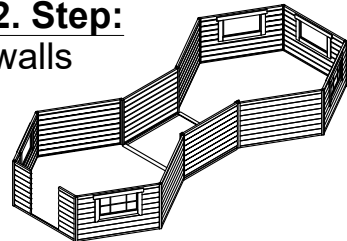
2xGrill+corridor



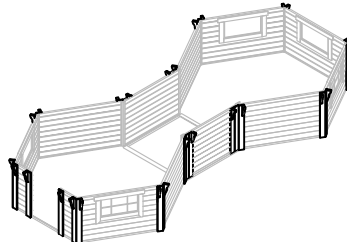
1. Step:
wood ring



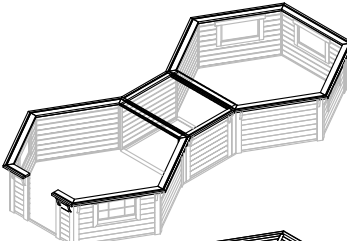
2. Step:
walls



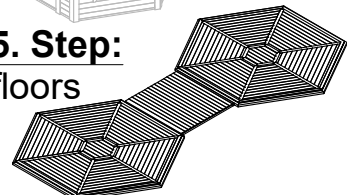
3. Step:
decoration (support)



4. Step:
roof support ring



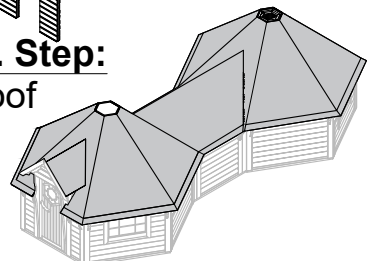
5. Step:
floors



6. Step:
inside wall



7. Step:
roof



Grill / Camping / Sauna Cabin 9.2 FOUNDATION

It is very important to have a proper foundation.

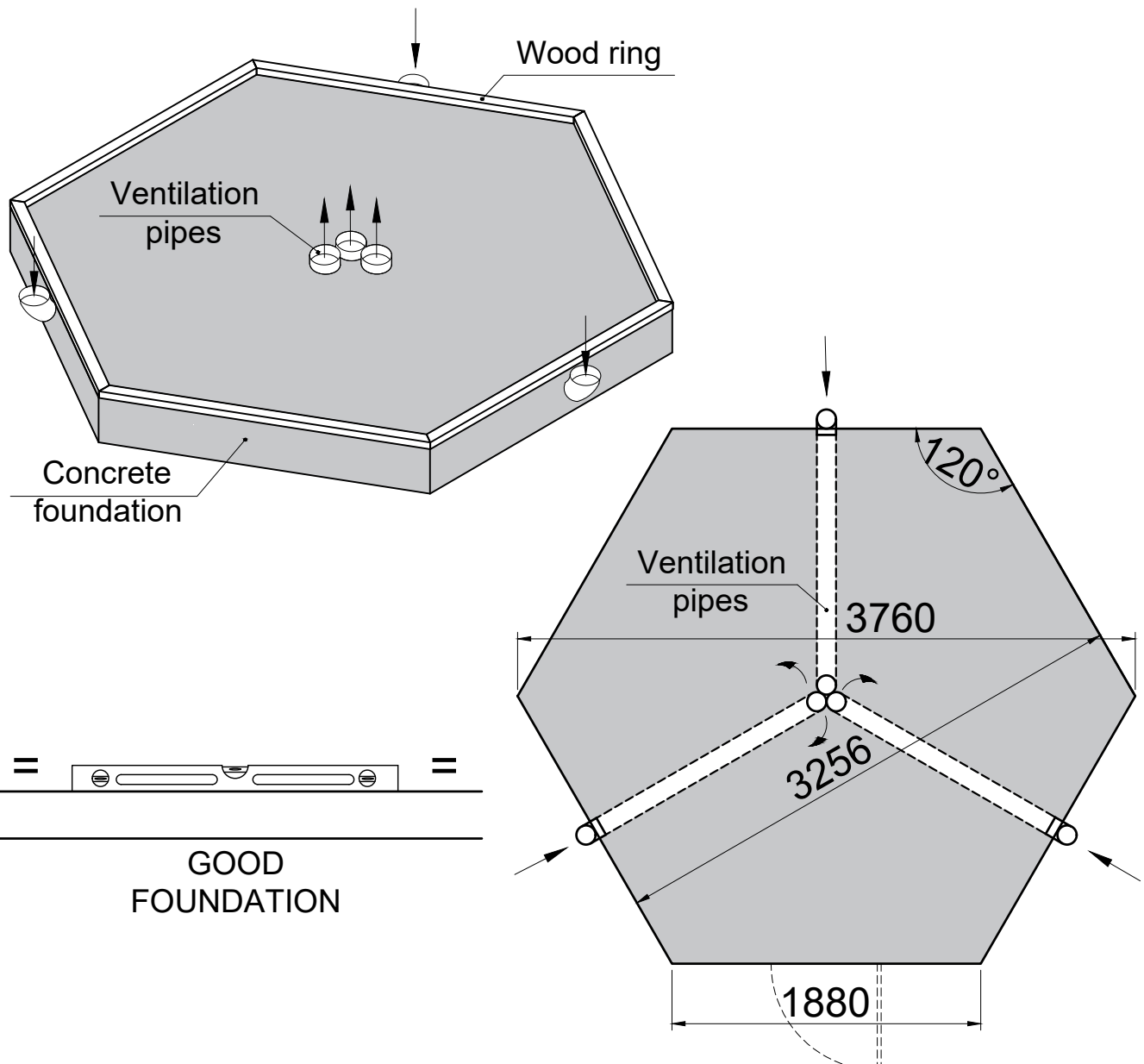
Therefore we recommend making the foundation according to the sketches here. First of all, foundation must be prepared according to the landscape and ground conditions.

The foundation under the product must be prepared specially, it must be homogeneous, tight and equal. It must be ensured that it will not change its properties. We recommend using concrete foundation. Before installation of product, we recommend to make hydro isolation of foundation.

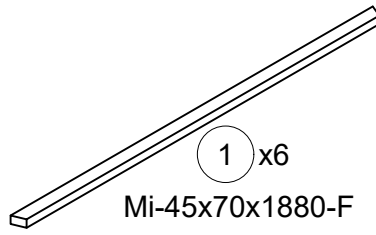
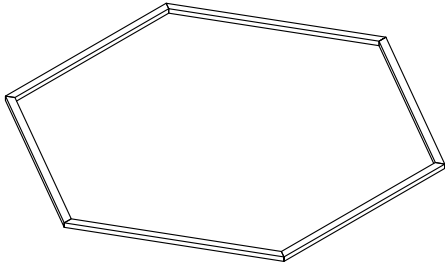
Consult a local qualified builder or an engineer to prepare a proper foundation, which fits to your location.

Due to improper foundation, cracks in the structures may occur. Due to uneven product seating, the geometric shape of the product may change, which can result in door / window twist, or/and gap may appear. And in the worst case product's collapse.

If you do not follow recommendation, product will lose its warranty.



1. Grill / Camping / Sauna Cabin 9.2 WOOD RING - FOUNDATION



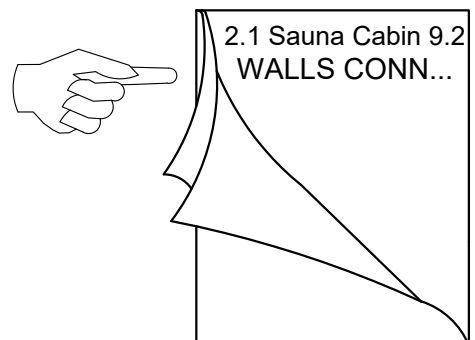
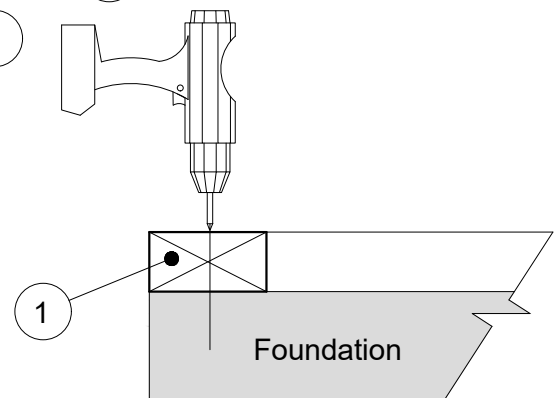
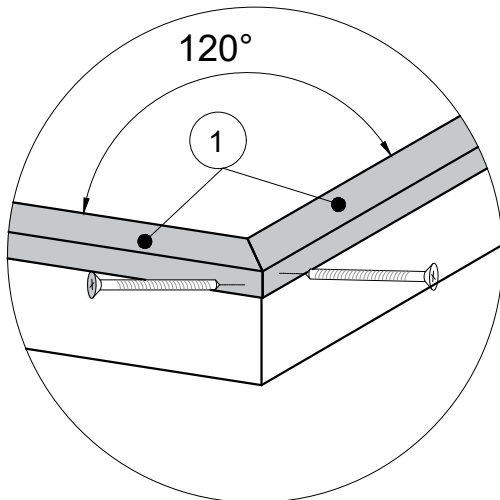
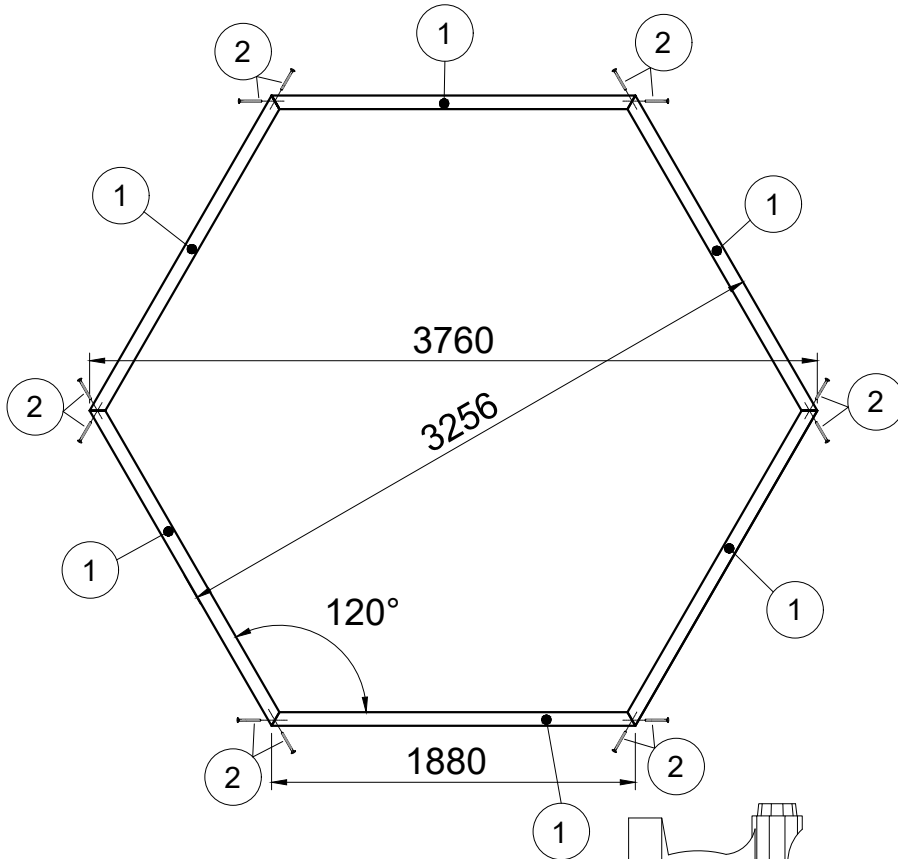
1 x6

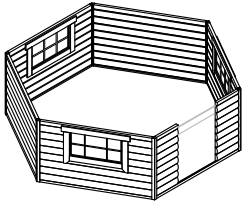
Mi-45x70x1880-F



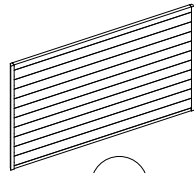
2 x12

T-GC-5x100



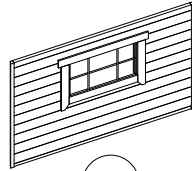


2. Grill / Camping Cabin 9.2 WALLS CONNECTION



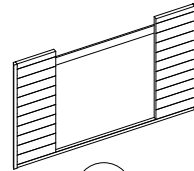
1 x2

GR9.2-S-1155x1880
or
GR9.2-S-1285x1880
or
GR9.2-S-1415x1880



2 x3

GR9.2-SL-1155x1880
or
GR9.2-SL-1285x1880
or
GR9.2-SL-1415x1880



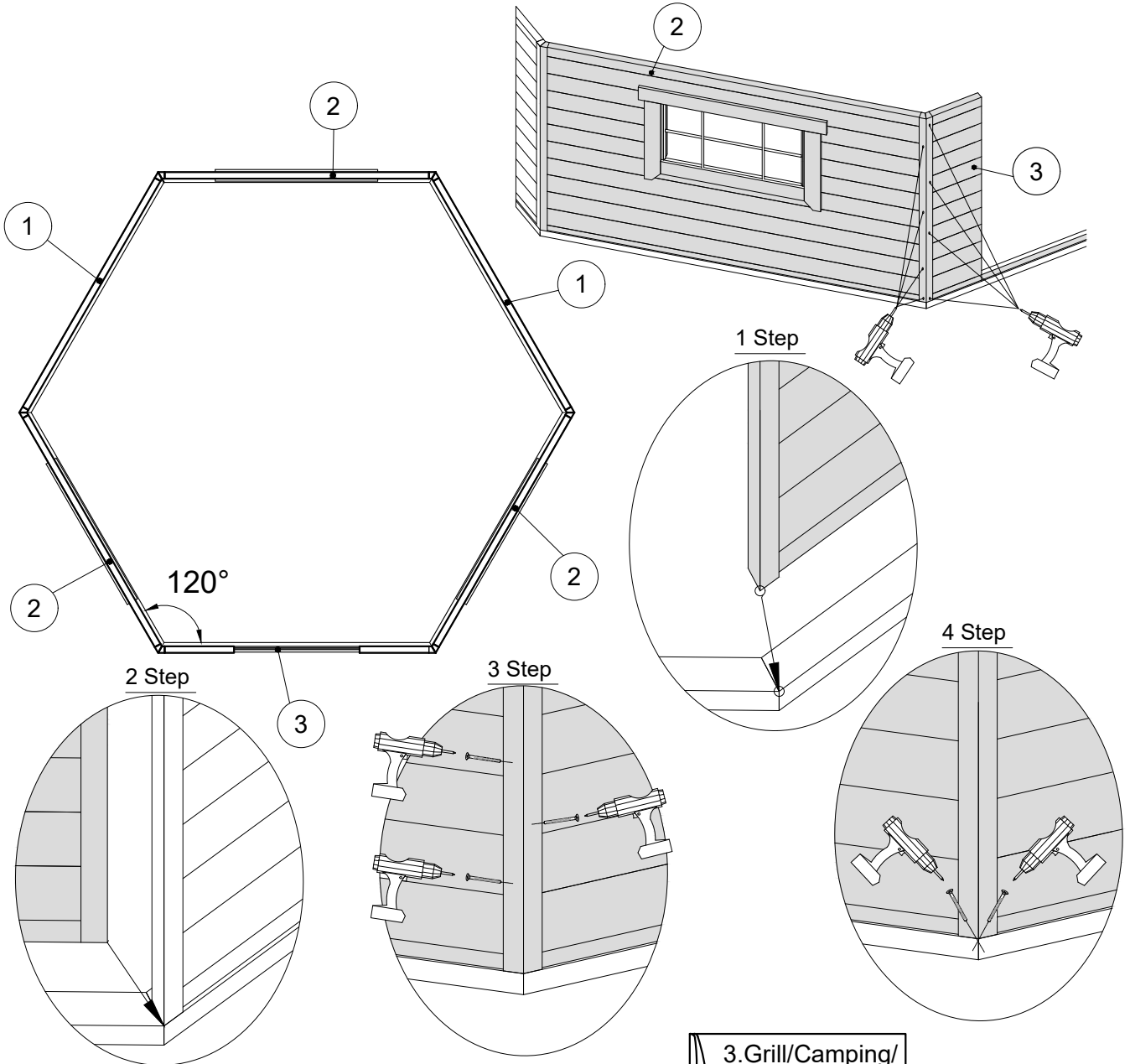
3 x1

GR9.2-SD-1155x1880
or
GR9.2-SD-1285x1880
or
GR9.2-SD-1415x1880



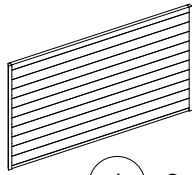
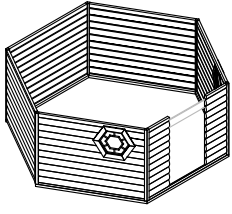
4 x48

T-GC-5x100



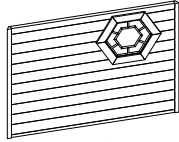
3. Grill/Camping/
Sauna Cabin 9.2
DECORATION..

2.1 Sauna Cabin 9.2 WALLS CONNECTION



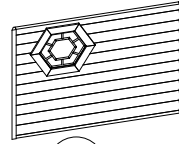
1 x3

GR9.2-S-1415x1880



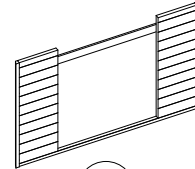
2 x1

S9.2-SL-1415x1880(k)



3 x1

S9.2-SL-1415x1880(d)

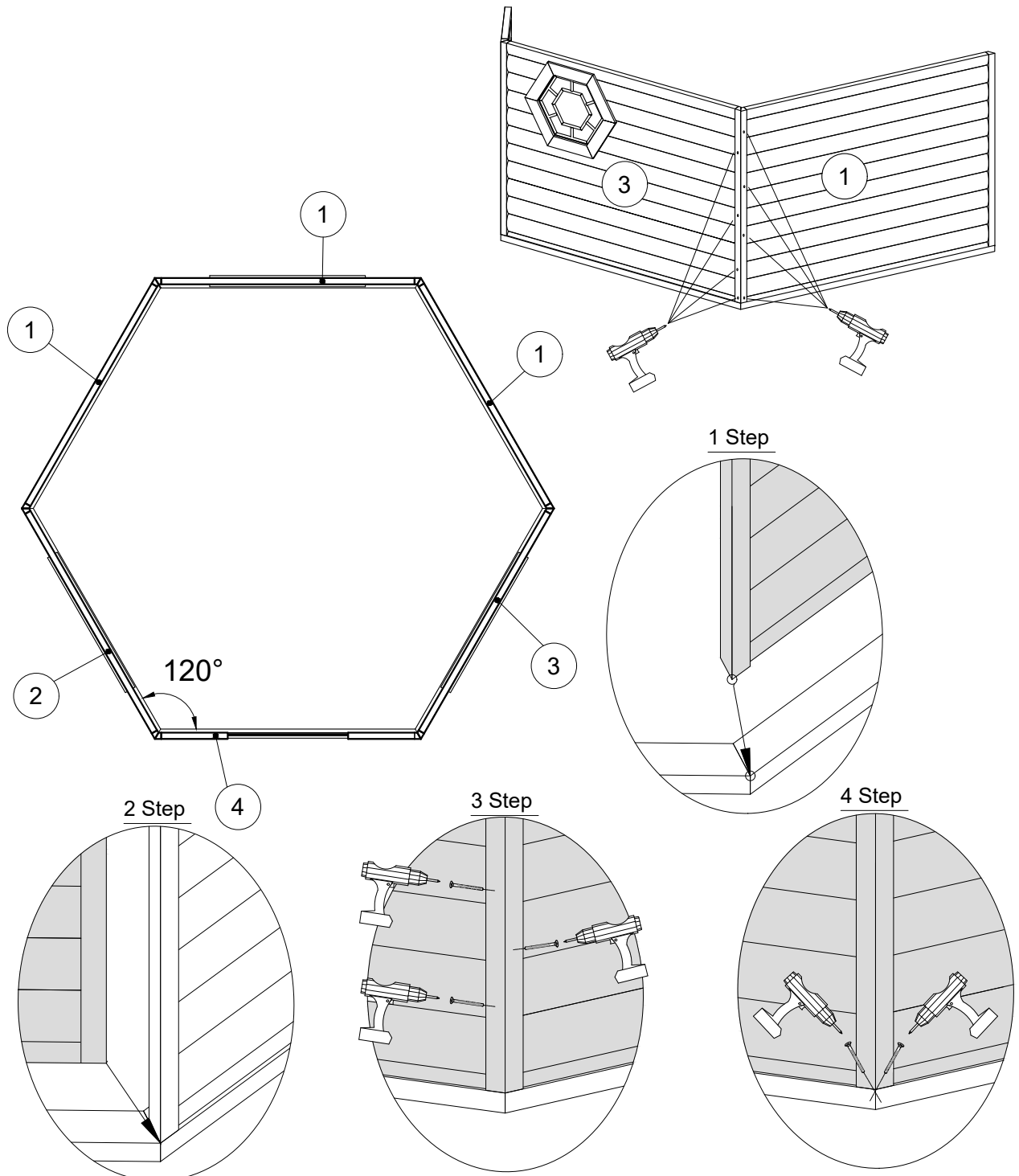


4 x1

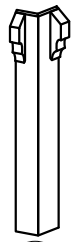
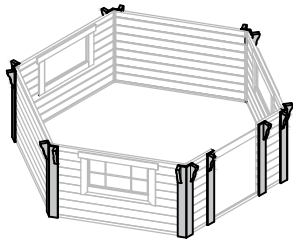
GR9.2-SD-1415x1880

5 x48

T-GC-5x100



3. Grill / Camping / Sauna Cabin 9.2 DECORATION (SUPPORT) OUTSIDE



1 x6

GR-6k-Apd-1155
or
GR-6k-Apd-1285
or
GR-6k-Apd-1415



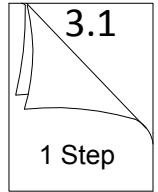
2 x1

GR-Apd(k)-1155
or
GR-Apd(k)-1285
or
GR-Apd(k)-1415



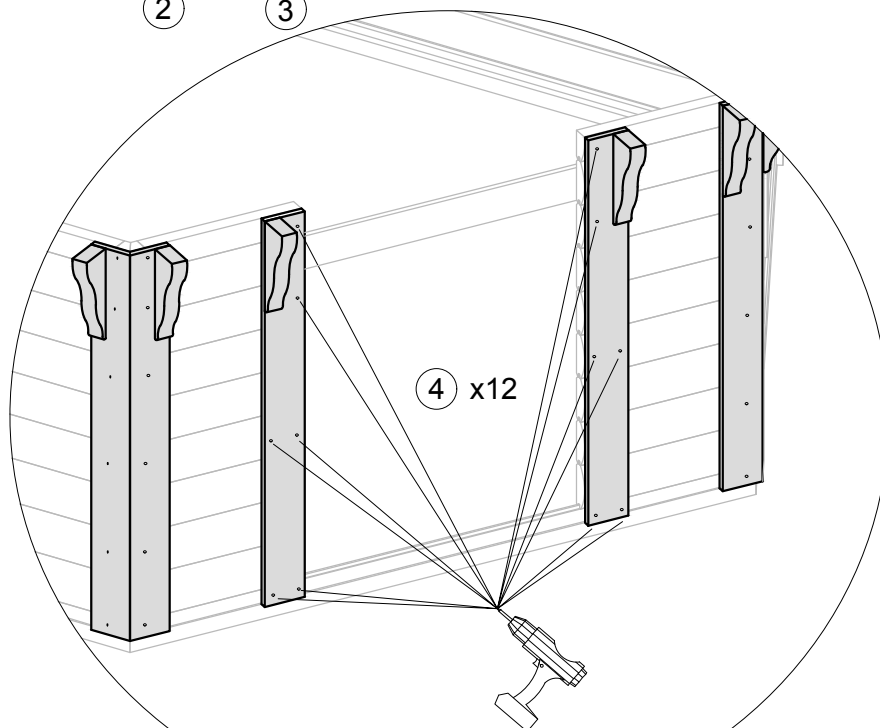
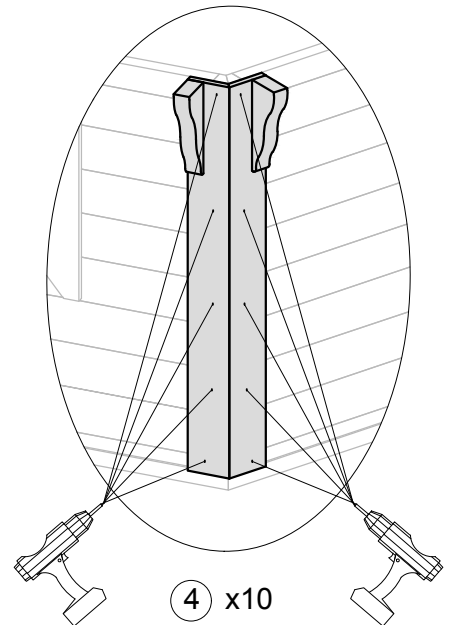
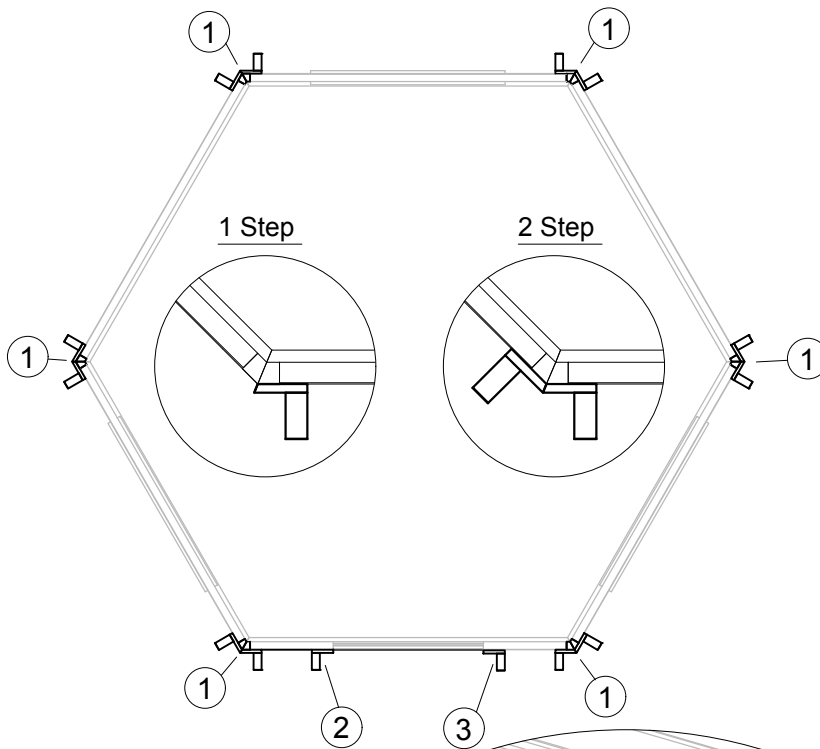
3 x1

GR-Apd(d)-1155
or
GR-Apd(d)-1285
or
GR-Apd(d)-1415

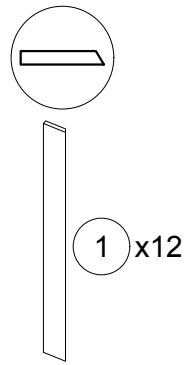


4 x72

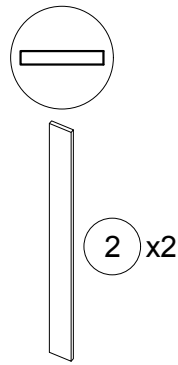
T-BC-4x50



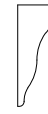
3.1 Grill / Camping/ Sauna Cabin 9.2 DECORATION (SUPPORT) OUTSIDE



M-18x95x1155-F
or
M-18x95x1285-F
or
M-18x95x1415-F



M-18x95x1155
or
M-18x95x1285
or
M-18x95x1415



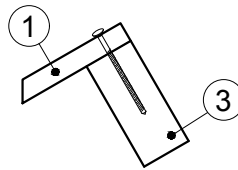
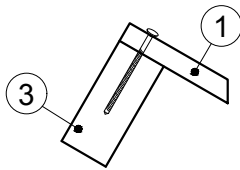
3 x14
M-45x95x270-CNC



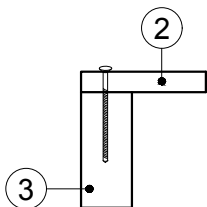
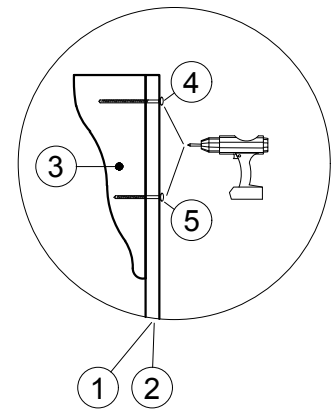
4 x14
T-BC-4x70



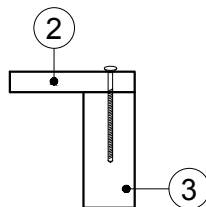
5 x14
T-BC-4x50



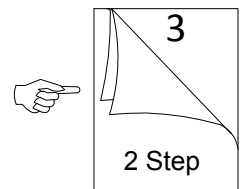
GR-6k-Apd-1155
or
GR-6k-Apd-1285
or
GR-6k-Apd-1415



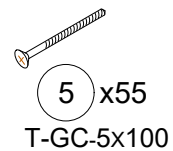
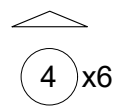
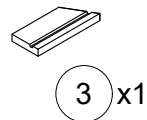
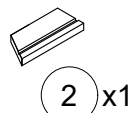
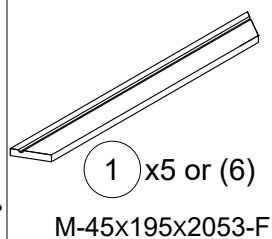
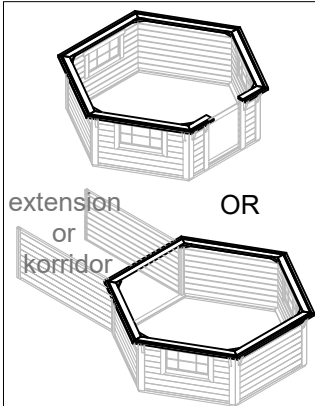
GR-Apd(k)-1155
or
GR-Apd(k)-1285
or
GR-Apd(k)-1415



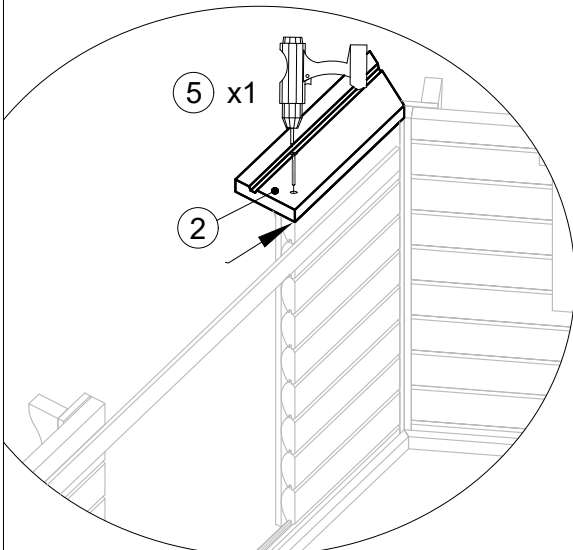
GR-Apd(d)-1155
or
GR-Apd(d)-1285
or
GR-Apd(d)-1415



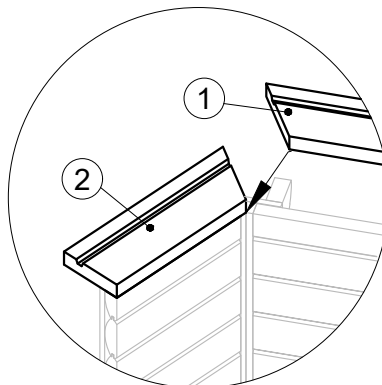
4. Grill / Camping / Sauna Cabin 9.2 ROOF SUPPORT RING



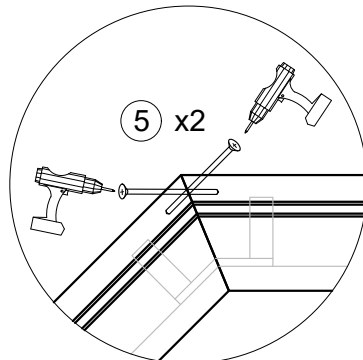
1 Step



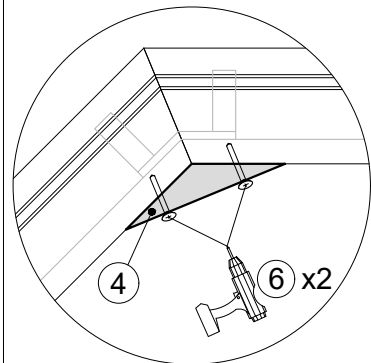
2 Step



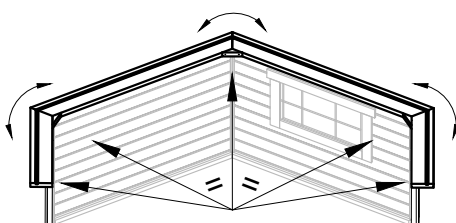
3 Step



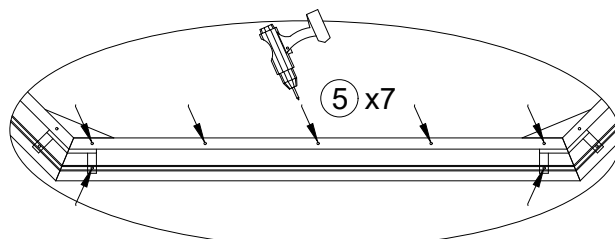
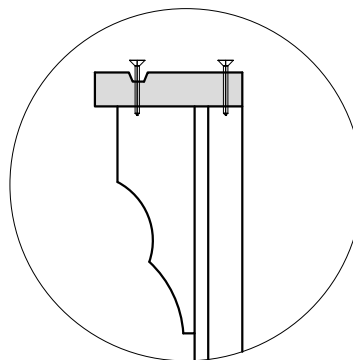
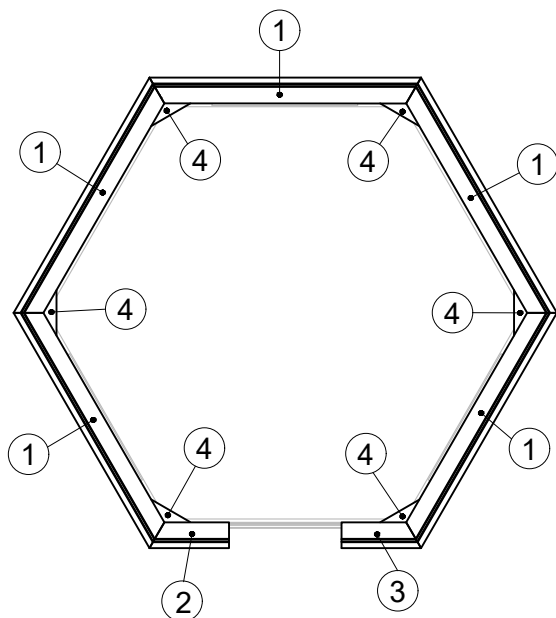
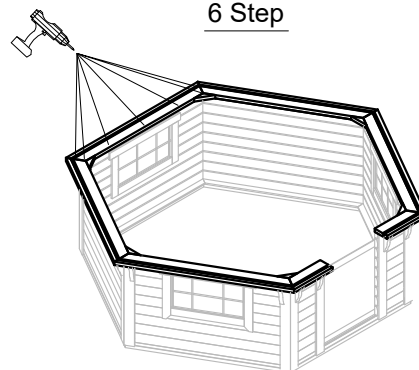
4 Step



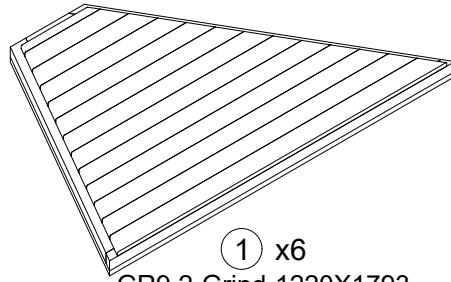
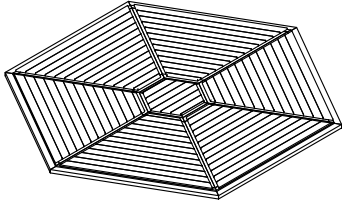
5 Step



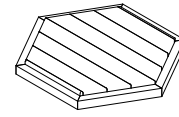
6 Step



5. Grill / Camping / Sauna Cabin 9.2 FLOORS



1 x6
 GR9.2-Grind-1220X1793
 or
 GR9.2-I-Grind-1220X1793
 or
 GR9.2-Spunt-1220X1793
 or
 GR9.2-I-Spunt-1220X1793

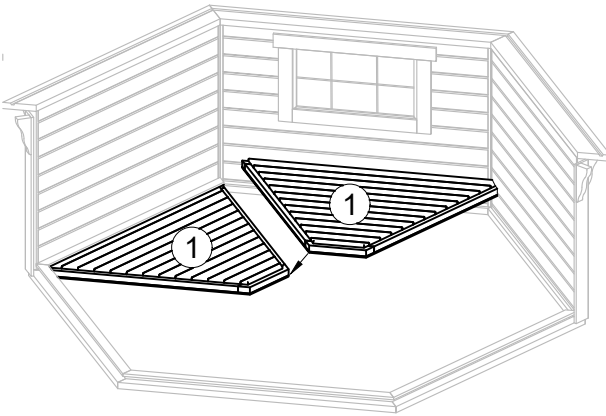


2 x1
 GR-6k-Grind-665X768
 or
 GR-6k-I-Grind-665X768
 or
 GR-6k-Spunt-665X768
 or
 GR-6k-I-Spunt-665X768

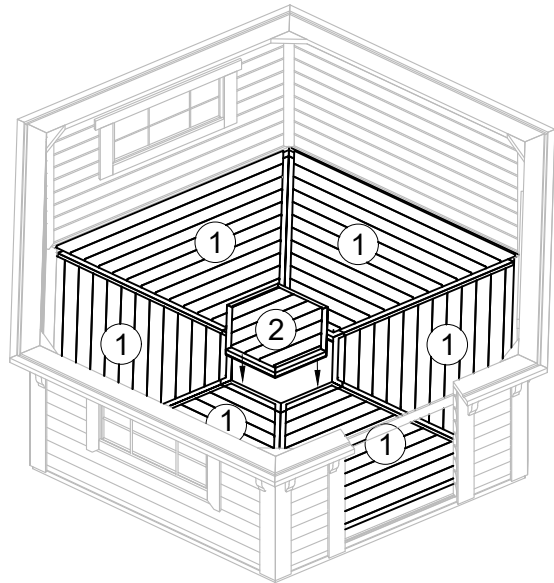


3 x42
 T-BC-3.5x45

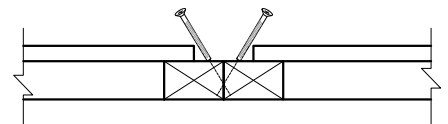
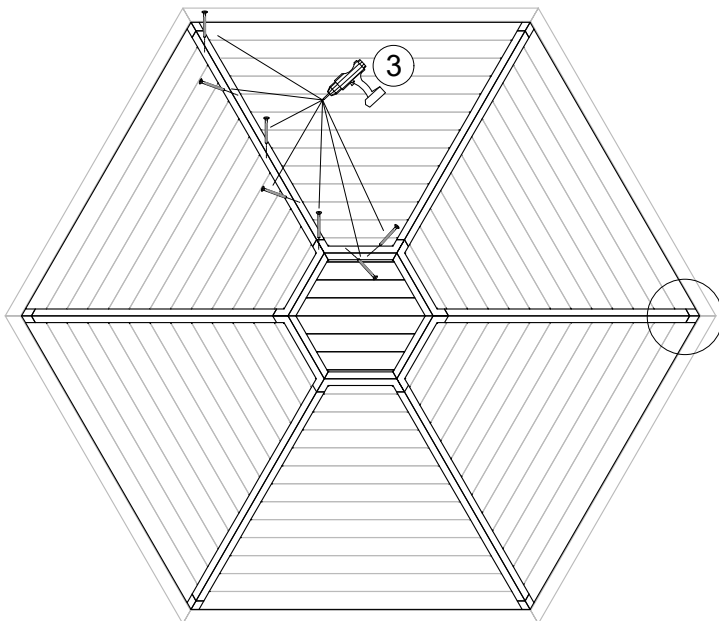
1 Step



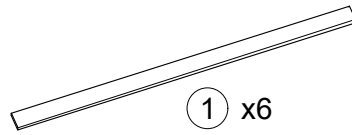
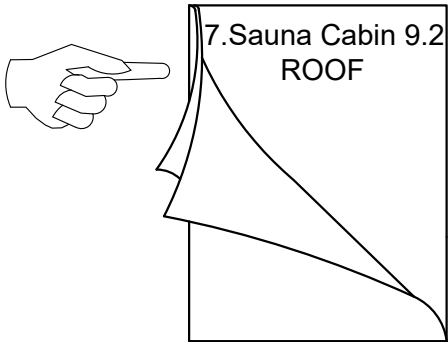
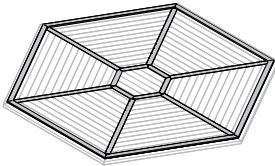
2 Step



3 Step



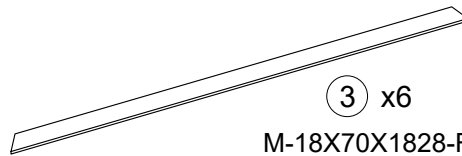
6. Grill / Camping / Sauna Cabin 9.2 FLOORS FINISHING BOARDS



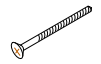
① x6
M-18X70X1367
or
Spunt-28x70x1367



② x6
M-18X70X404-F
or
Spunt-28x70x404-F

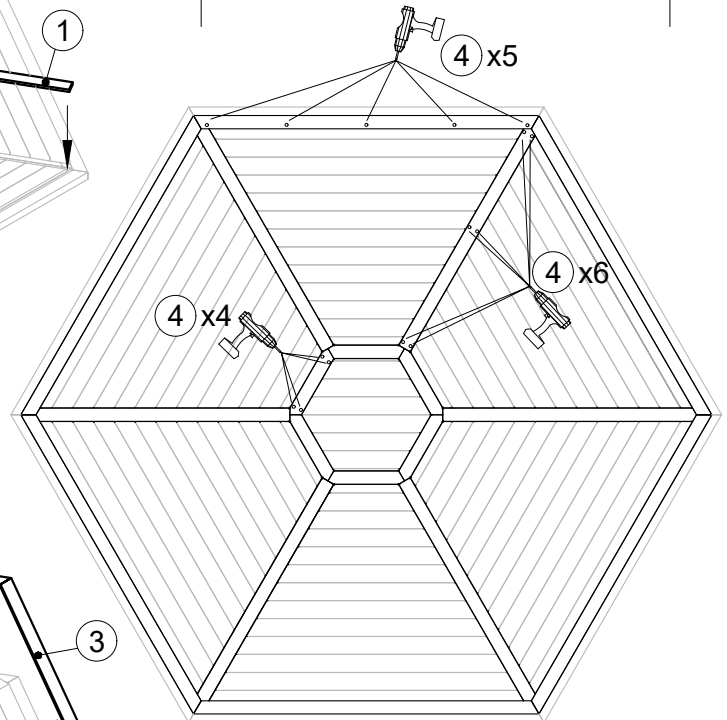
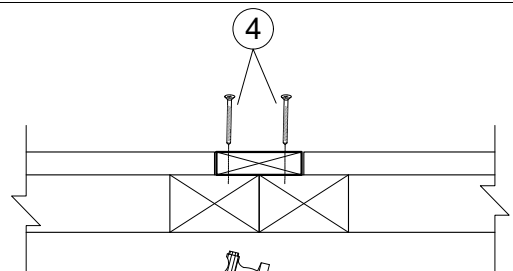
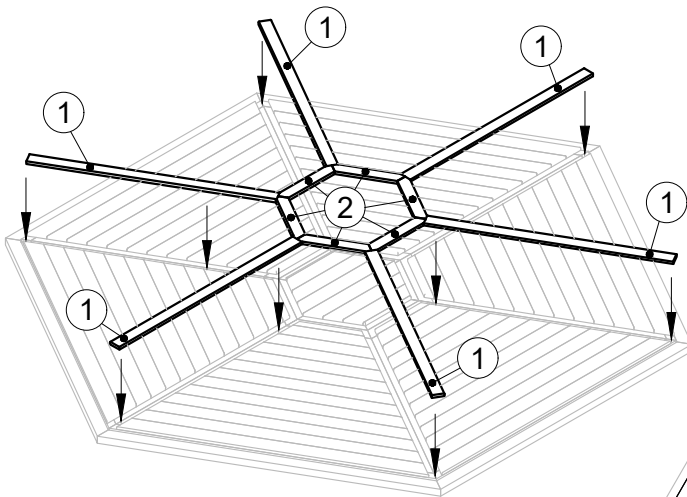


③ x6
M-18X70X1828-F

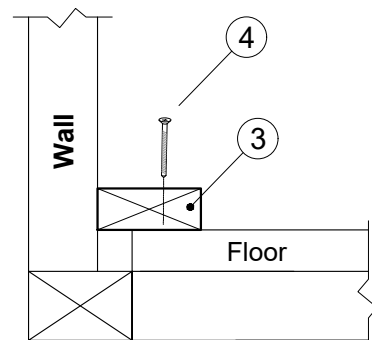
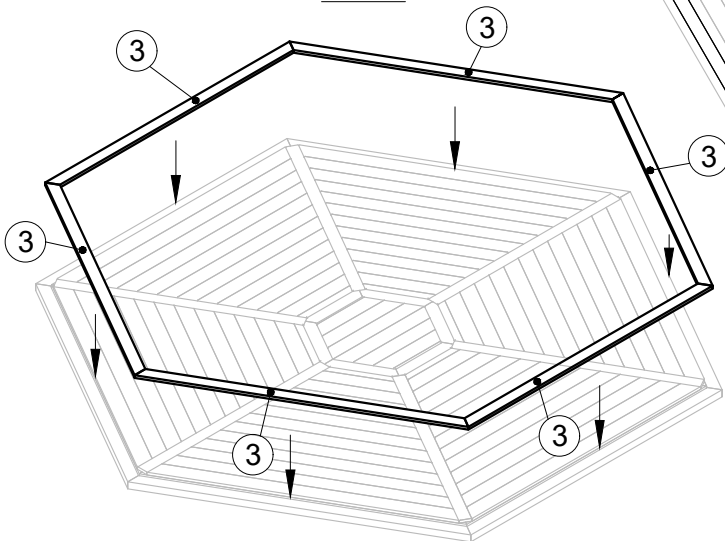


④ x90
T-GC-3.5x45

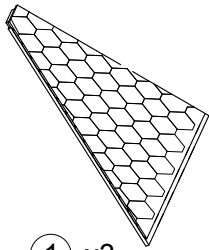
1 Step



2 Step

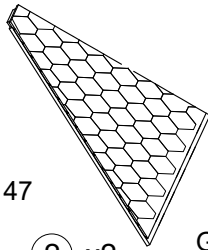


7. IF Sauna Cabin 9.2 WITH CHANGING ROOM



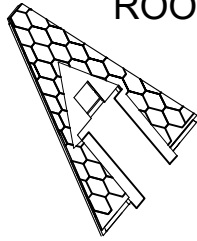
① x3

GR9.2-I-Stog-2022X2147
INSULATED ROOF



② x2

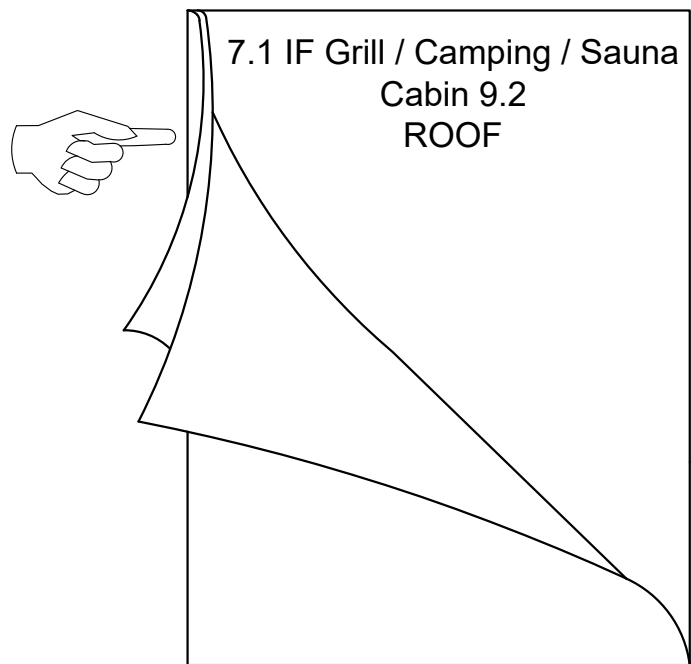
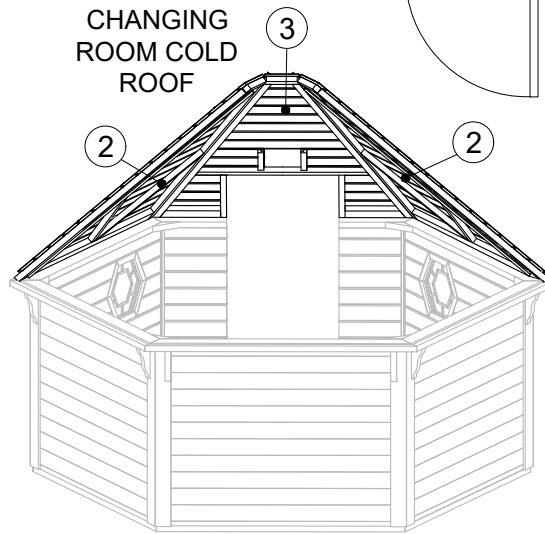
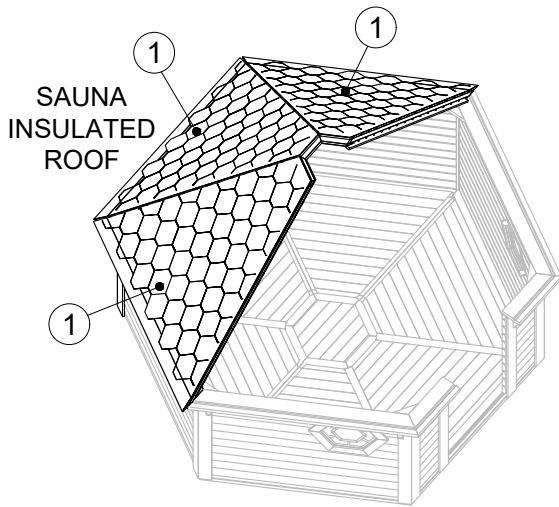
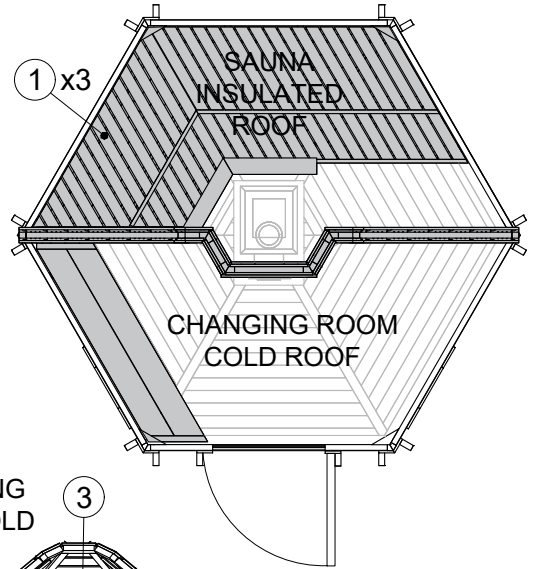
GR9.2-Stog-2022X2147
COLD ROOF



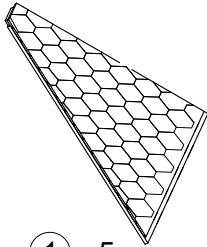
③ x1

GR9.2-StogD-2022X2147
COLD ROOF

④ x78
T-GC-5x80

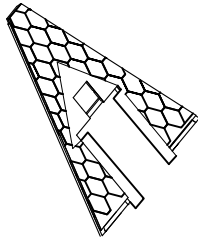


7.1 Grill / Camping Cabin 9.2 ROOF



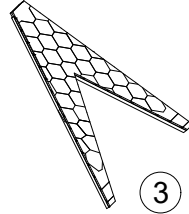
① x5

GR9.2-Stog-2022X2147
or
GR9.2-I-Stog-2022X2147



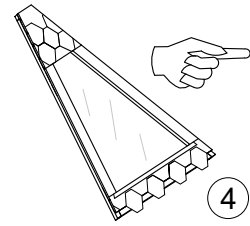
② x1

GR9.2-StogD-2022X2147
or
GR9.2-I-StogD-2022X2147



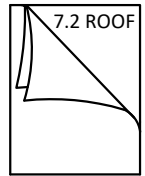
③

GR9.2-StogEX-2022X2147
or
GR9.2-I-StogEX-2022X2147



④

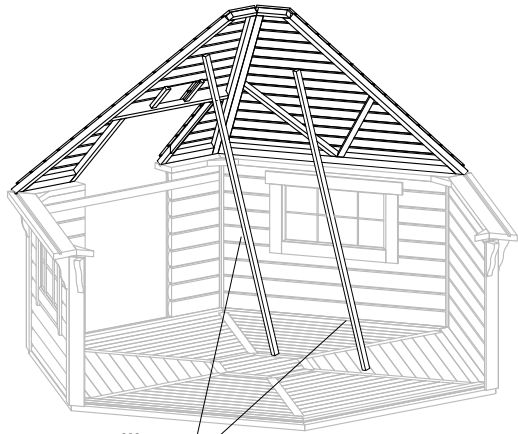
GR9.2-StogL-2022X2147
or
GR9.2-I-StogL-2022X2147



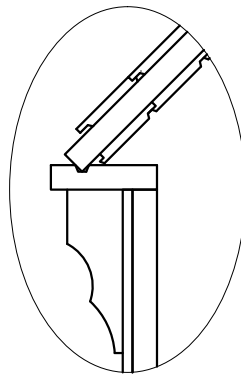
⑤ x78

T-GC-5x80

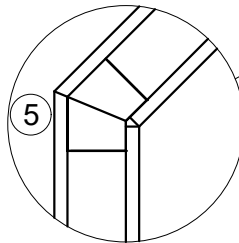
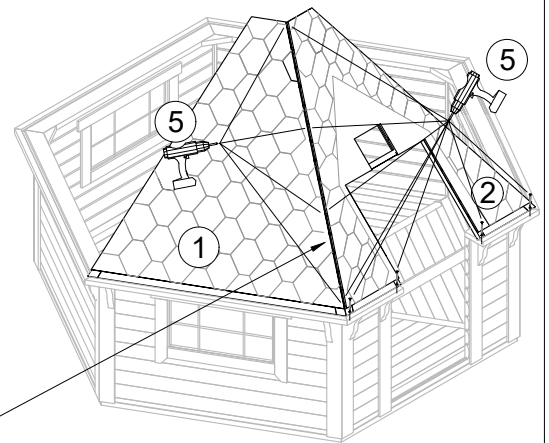
1 Step



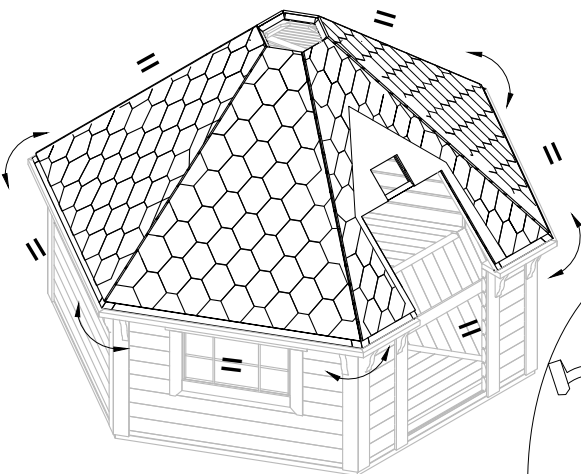
support pillars



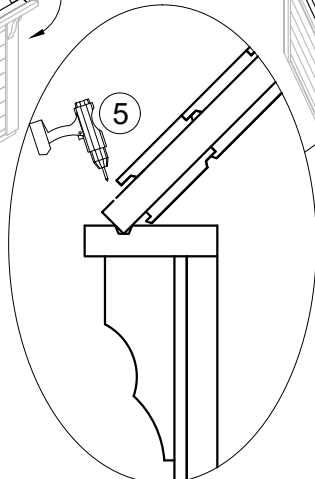
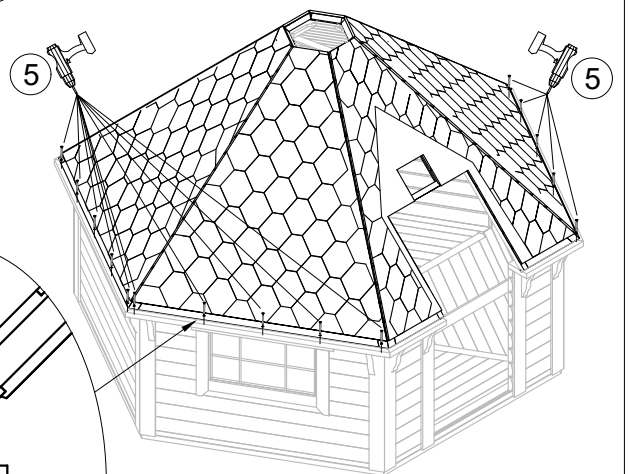
2 Step



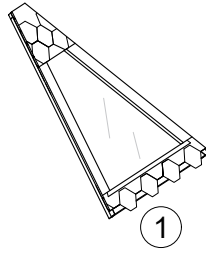
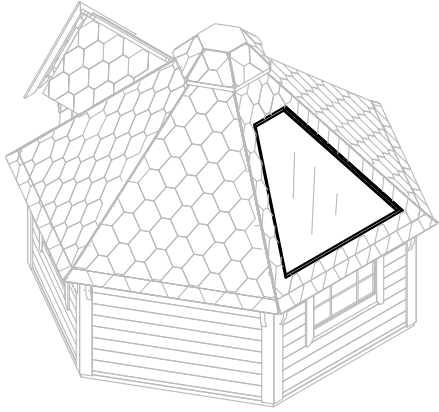
3 Step



4 Step



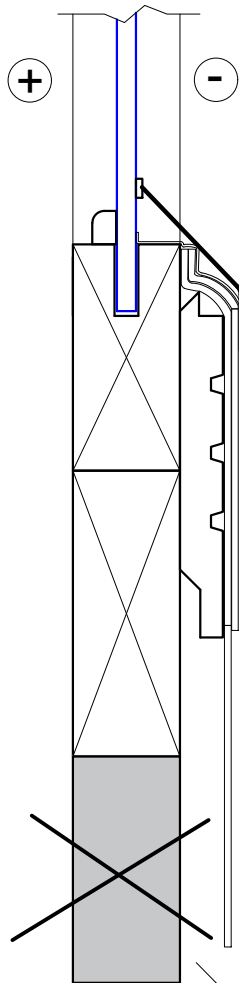
7.2 Grill / Camping / Sauna Cabin 9.2 ROOF



GR9.2-StogL-2022X2147
or
GR9.2-I-StogL-2022X2147

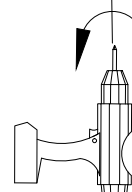
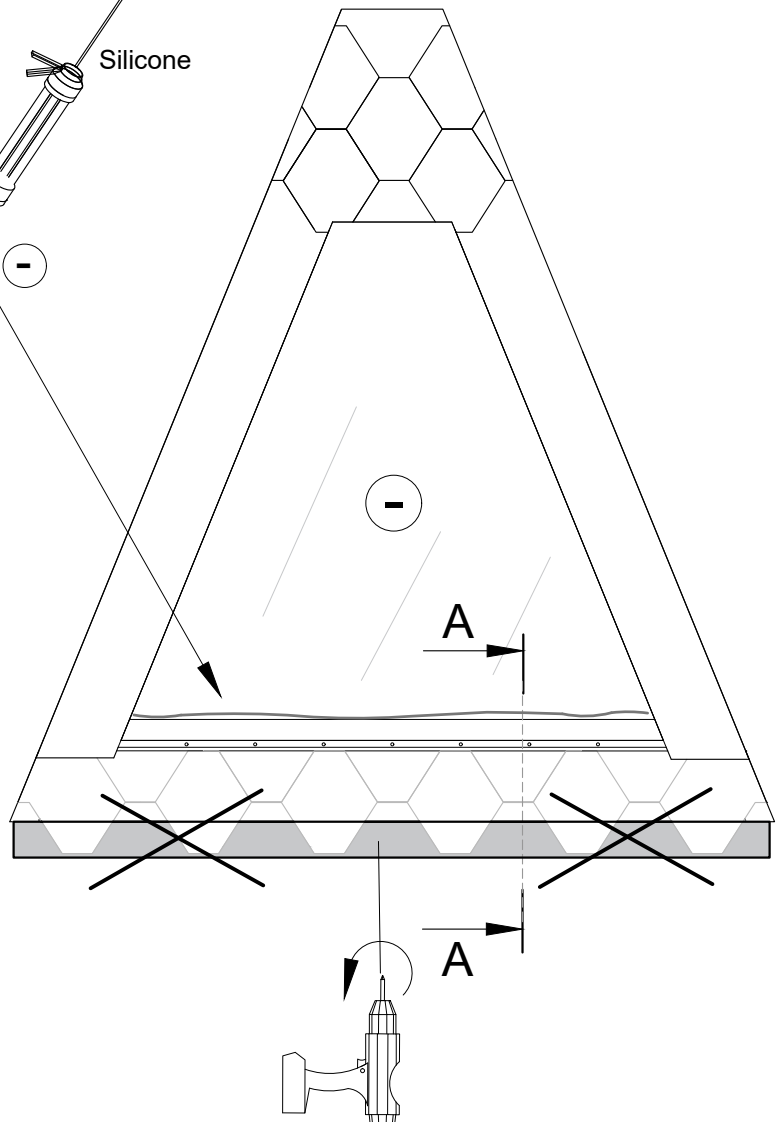
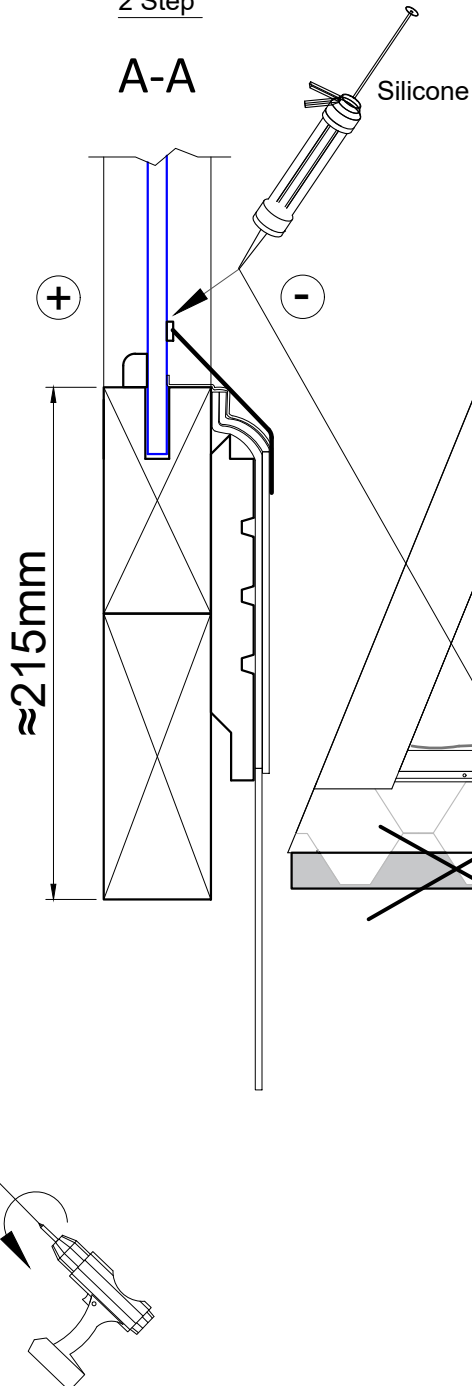
1 Step

A-A

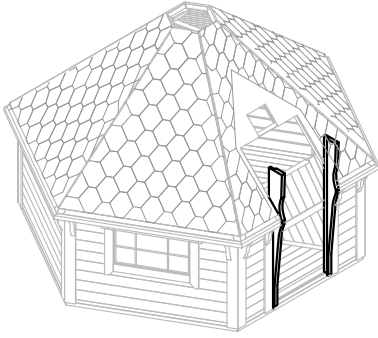


2 Step

A-A



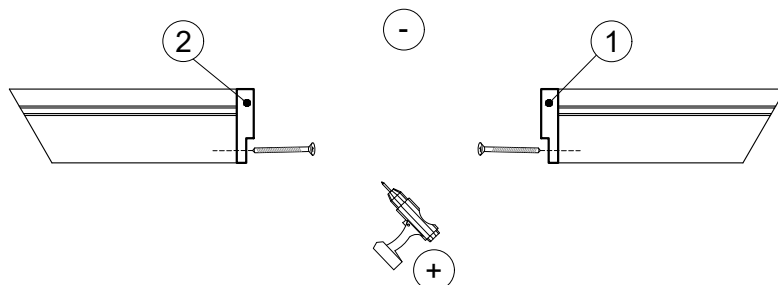
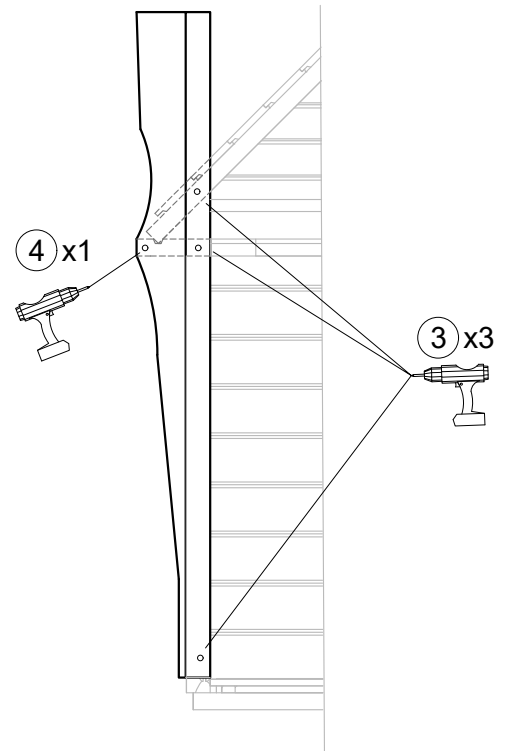
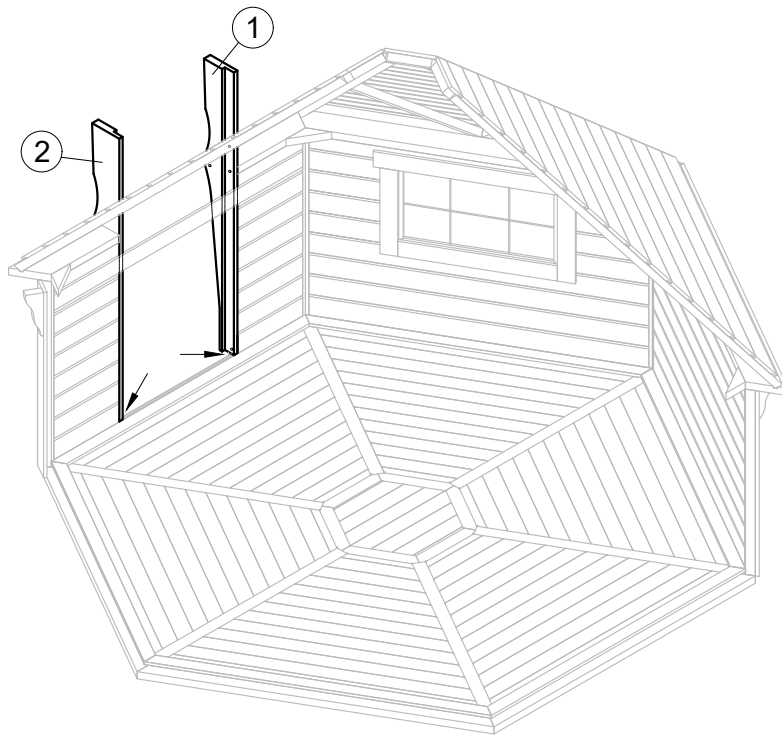
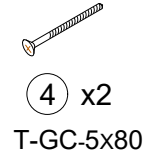
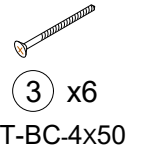
8. Grill / Camping / Sauna Cabin 9.2 ENTRANCE SUPPORT



M-45x195x1630-A850-CNC(k)
or
M-45x195x1760-A850-CNC(k)
or
M-45x195x1890A-850-CNC(k)



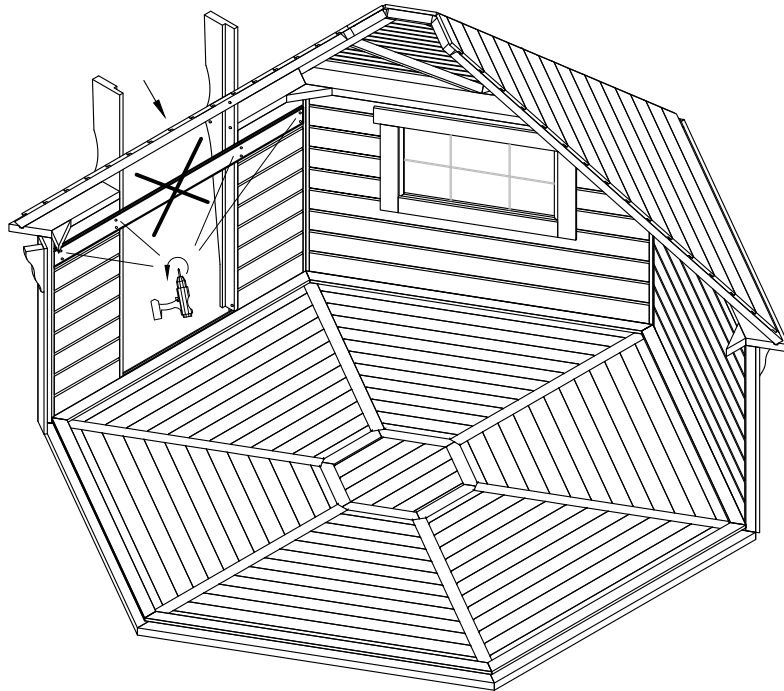
M-45x195x1630-A850-CNC(d)
or
M-45x195x1760-A850-CNC(d)
or
M-45x195x1890-A850-CNC(d)



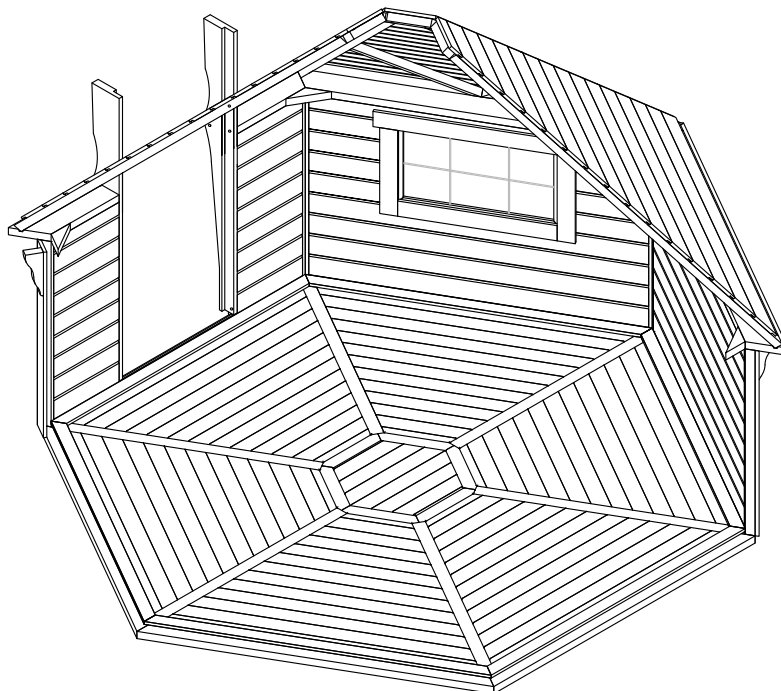
8.1 Grill / Camping / Sauna Cabin 9.2



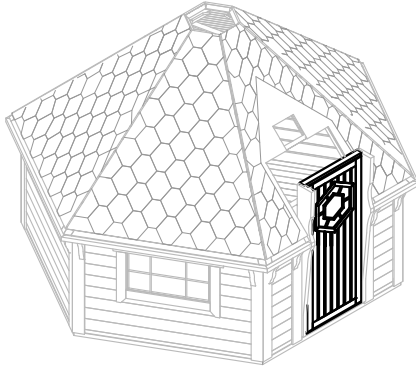
1 Step



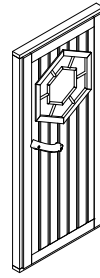
2 Step

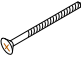


9. Grill / Camping / Sauna Cabin 9.2 OUTSIDE DOOR

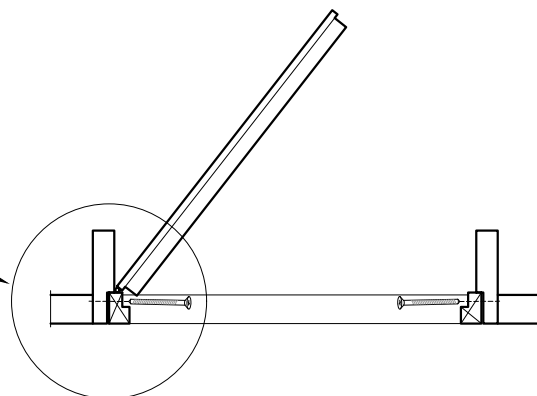
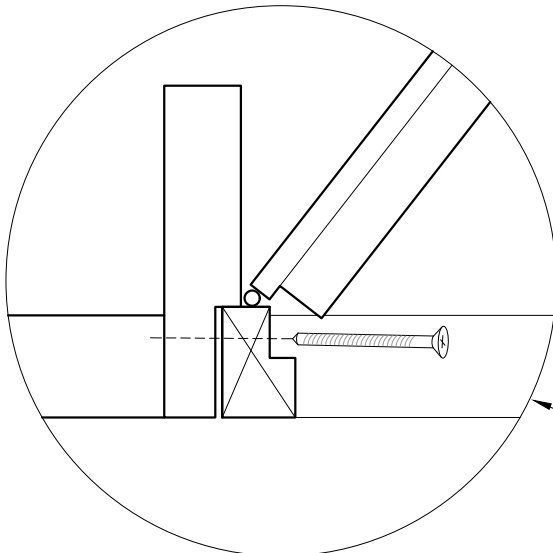
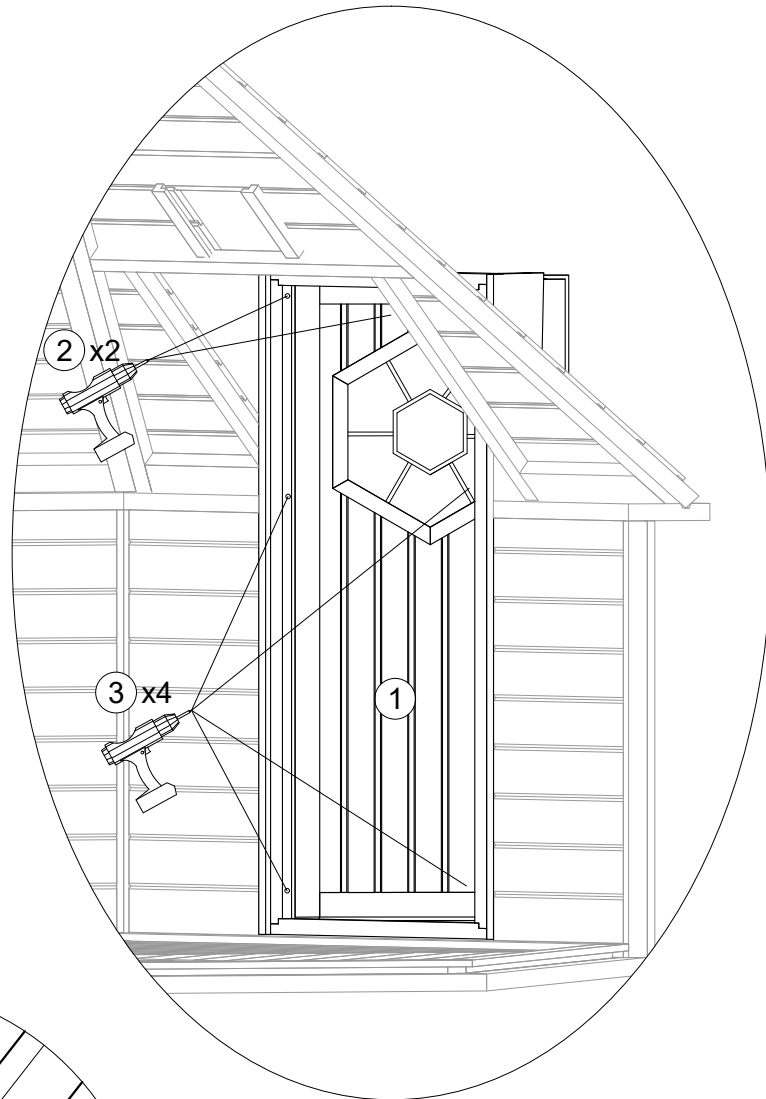


① x1
PUS00013
or
PUS00060
or
PUS00317



 x2
T-BC-4x50

 x4
T-GC-5x100

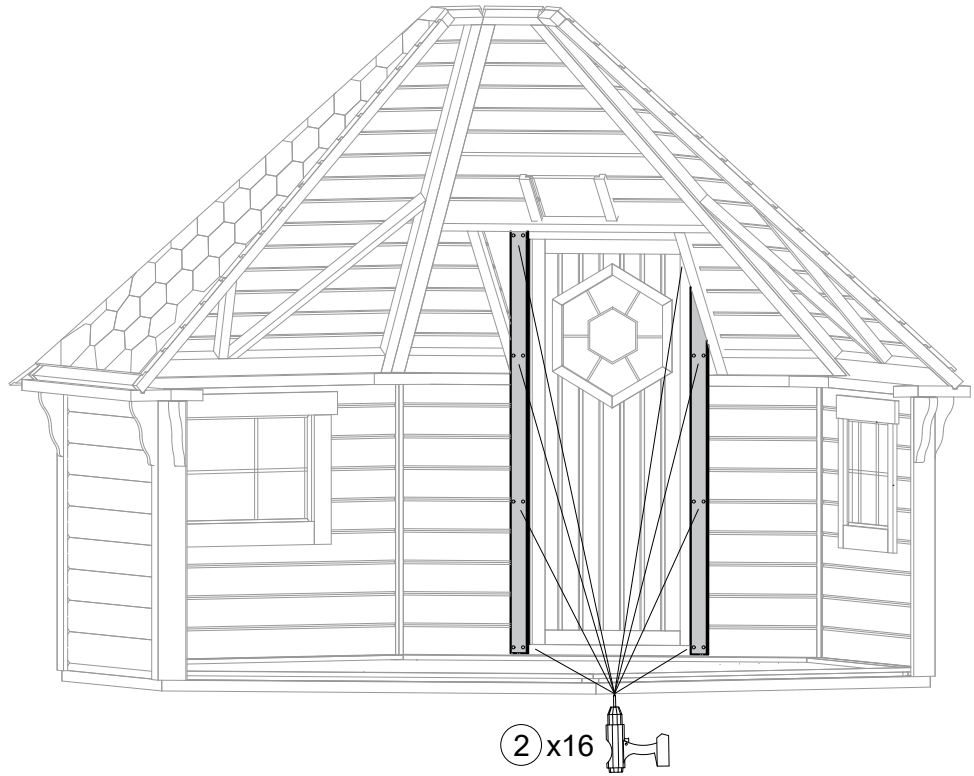
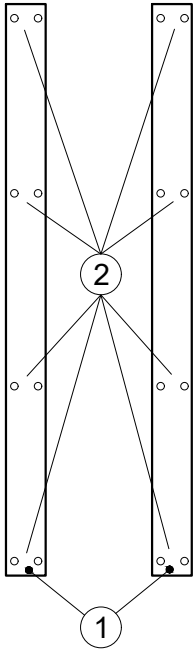


9.1 Grill / Camping / Sauna Cabin 9.2 INSIDE FINISHING BOARD

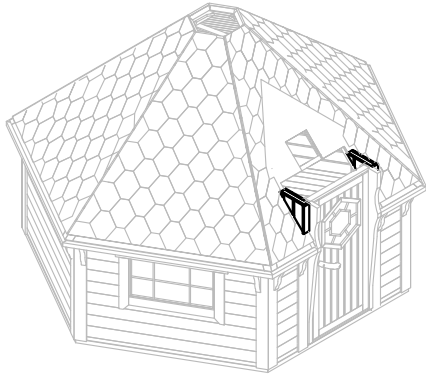
① x2
M-18x70x1624
or
M-18x70x1754
or
M-18x70x1884



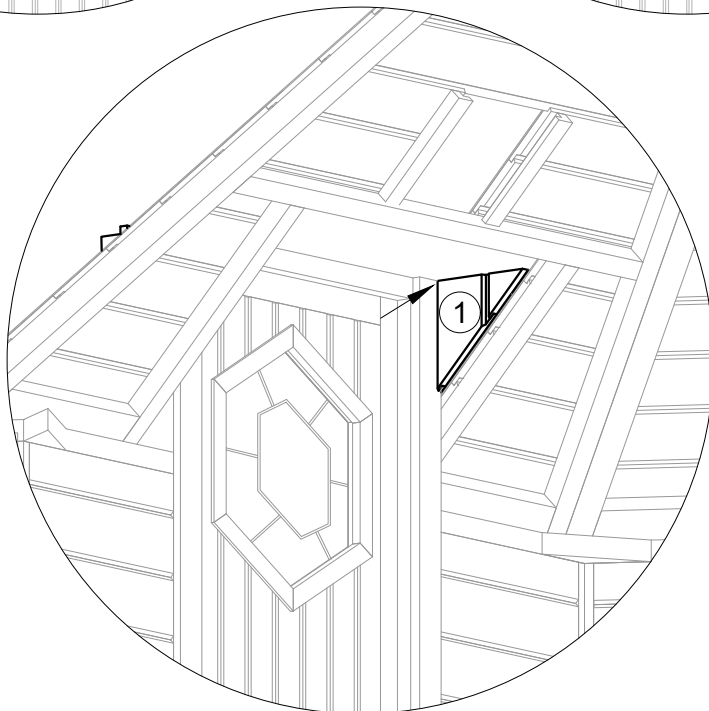
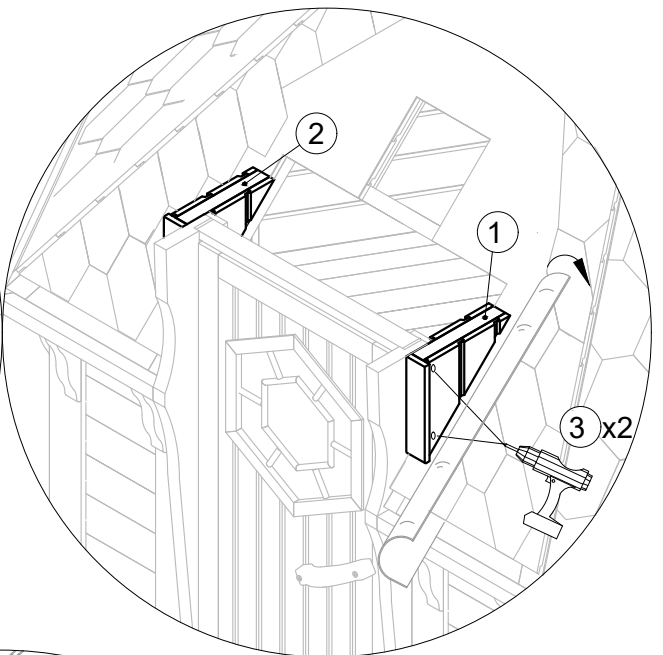
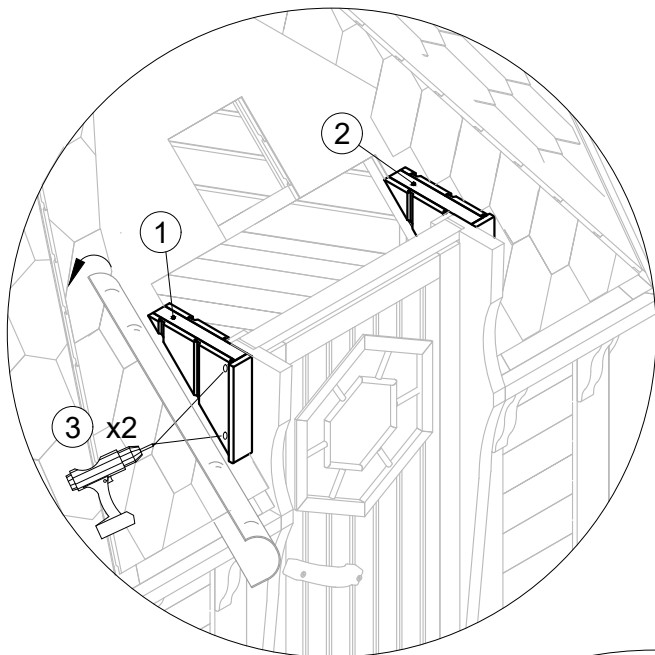
② x16
T-GC-3.5x45



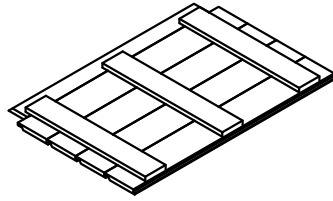
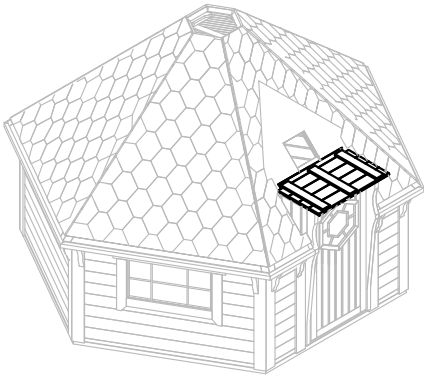
10. Grill / Camping / Sauna Cabin 9.2 ENTRANCE ASSEMBLY



- ① x1
GR-trikamp-313x331-(k)
- ② x1
GR-trikamp-313x331-(d)
- ③ x4
T-GC-5x100



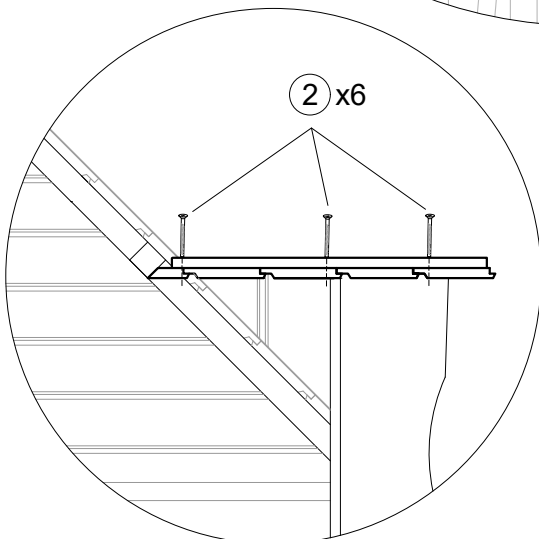
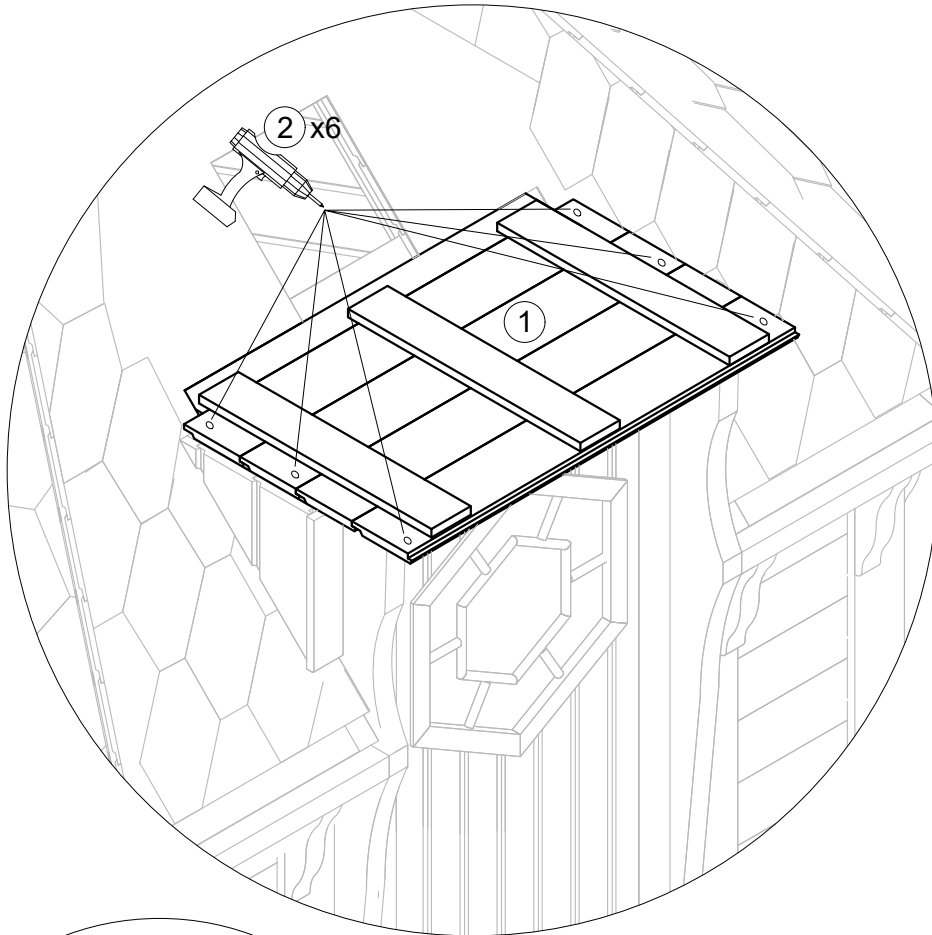
10.1 Grill / Camping / Sauna Cabin 9.2 ENTRANCE ASSEMBLY



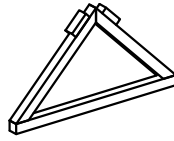
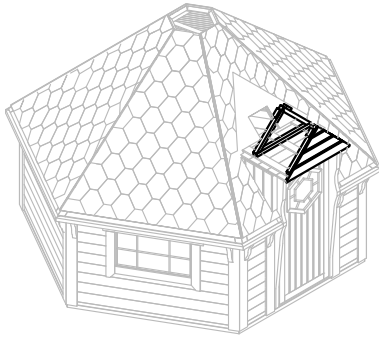
① x1
GR-lubos-636x939



② x6
T-GC-4x70

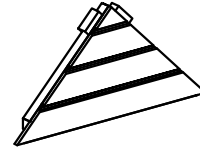


10.2 Grill / Camping / Sauna Cabin 9.2 ENTRANCE ASSEMBLY



① x1

GR-Stog-trik-453x815



② x1

GR-Pr-trik-491x981



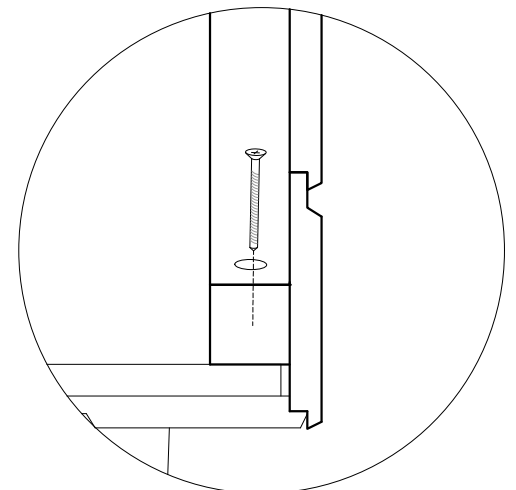
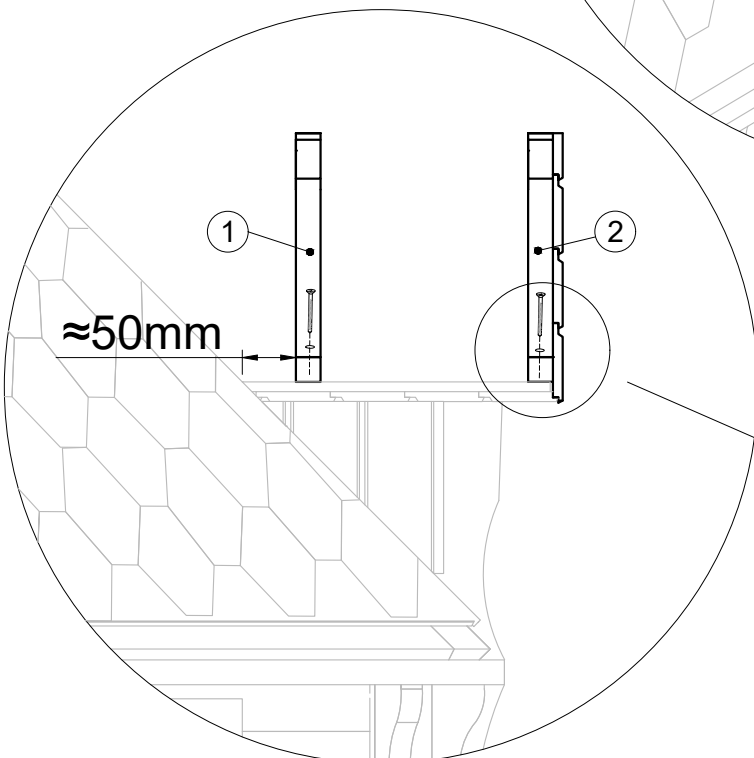
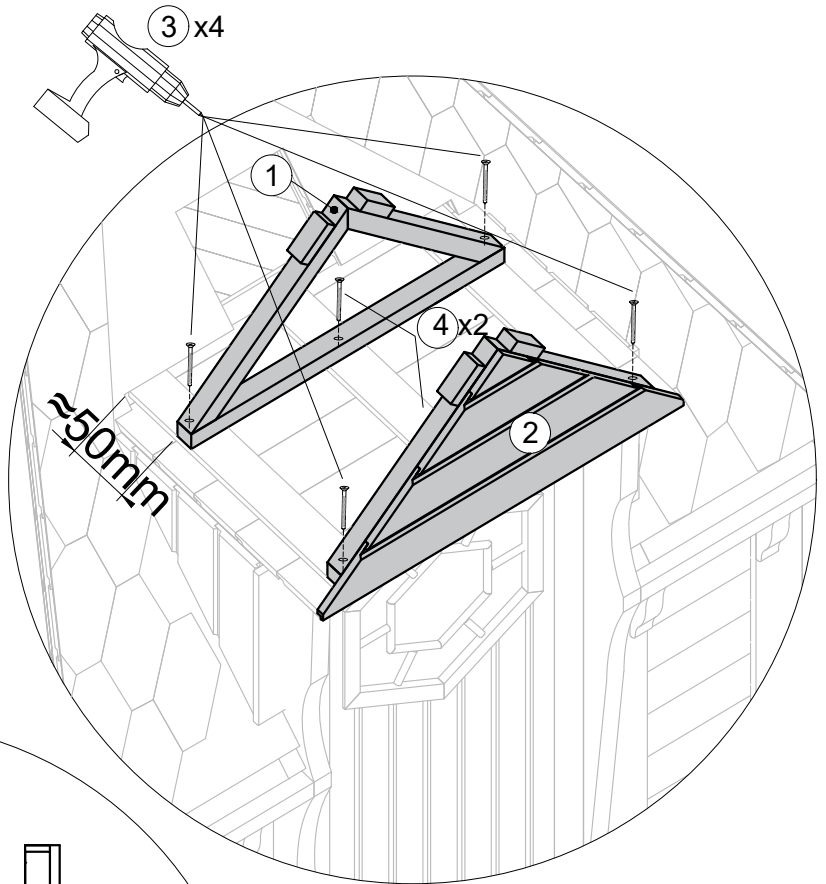
③ x4

T-GC-5x100

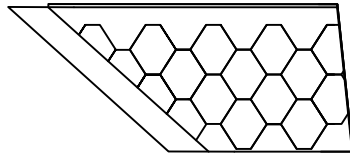
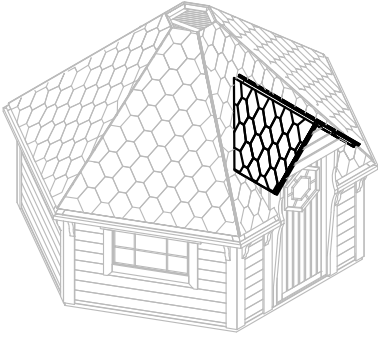


④ x2

T-GC-4x70

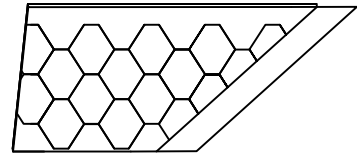


10.3 Grill / Camping / Sauna Cabin 9.2 ENTRANCE ASSEMBLY



① x1

GR-Stog-845x1090-(k)



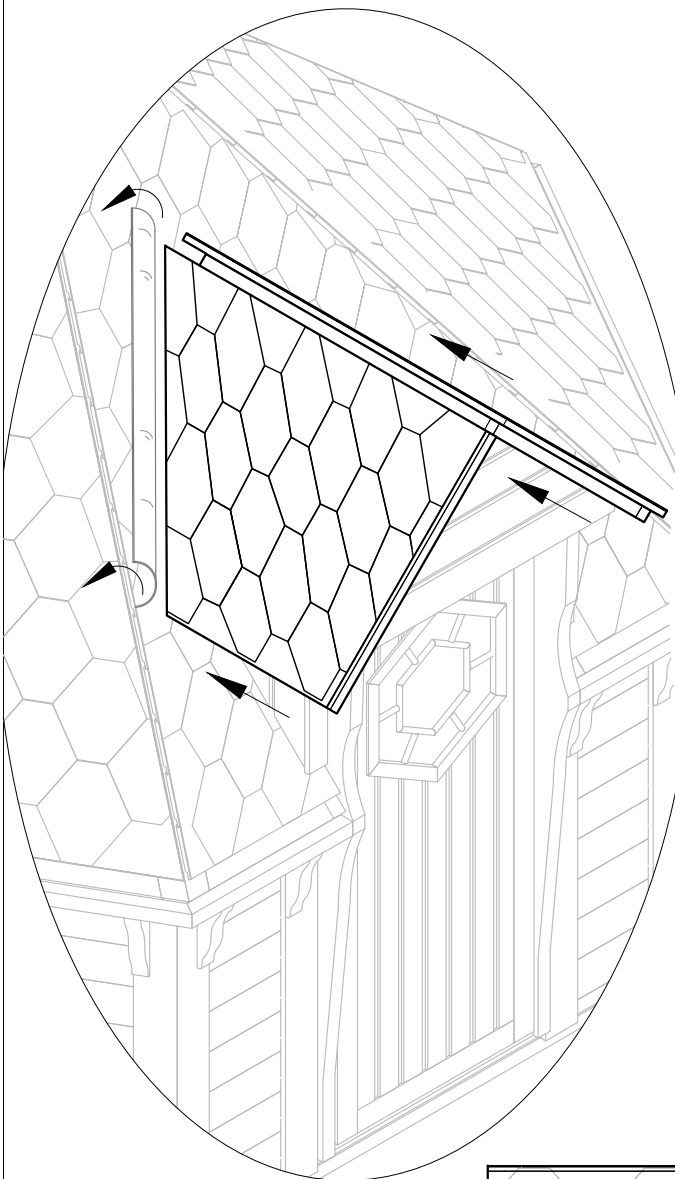
② x1

GR-Stog-845x1090-(d)

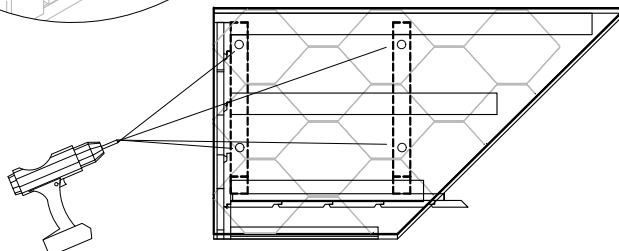
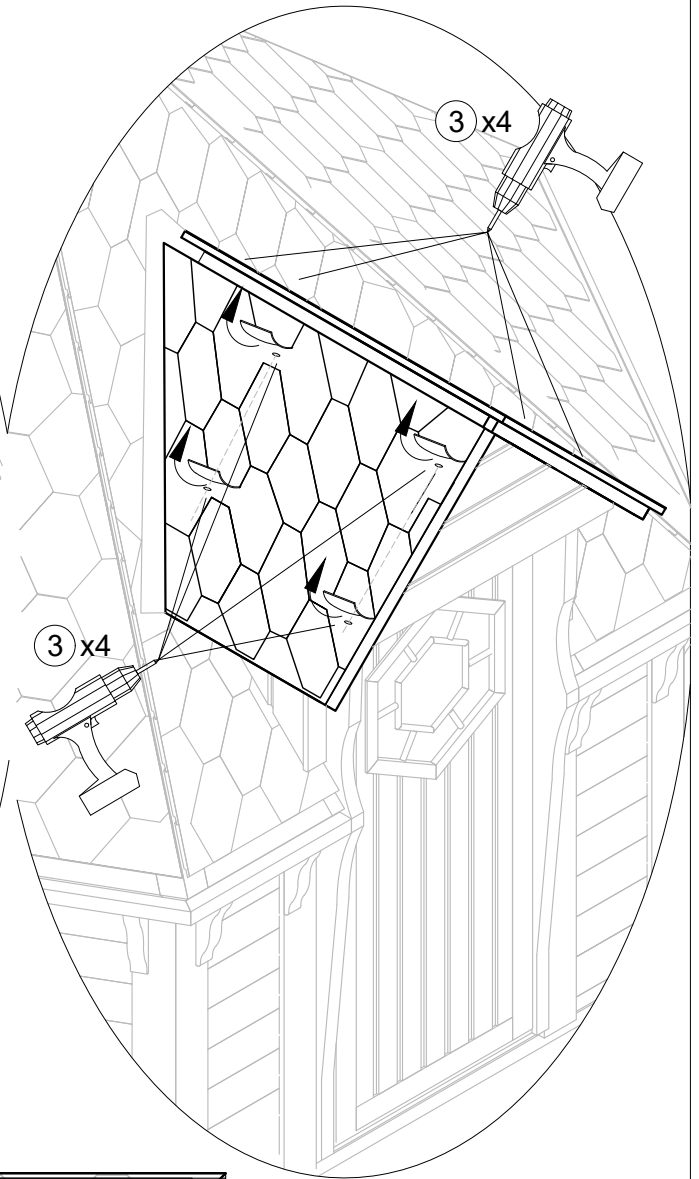


③ x8
T-GC-5x80

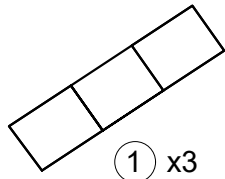
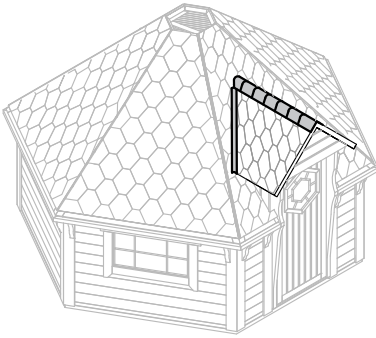
1 Step



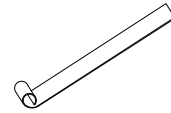
2 Step



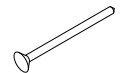
10.4 Grill / Camping / Sauna Cabin 9.2 ENTRANCE ASSEMBLY



Bitumines-
cerpes-3x250x1000

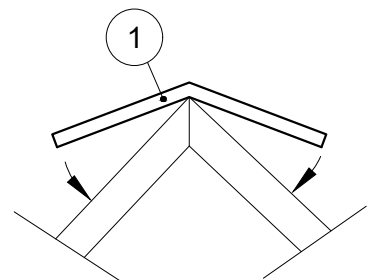
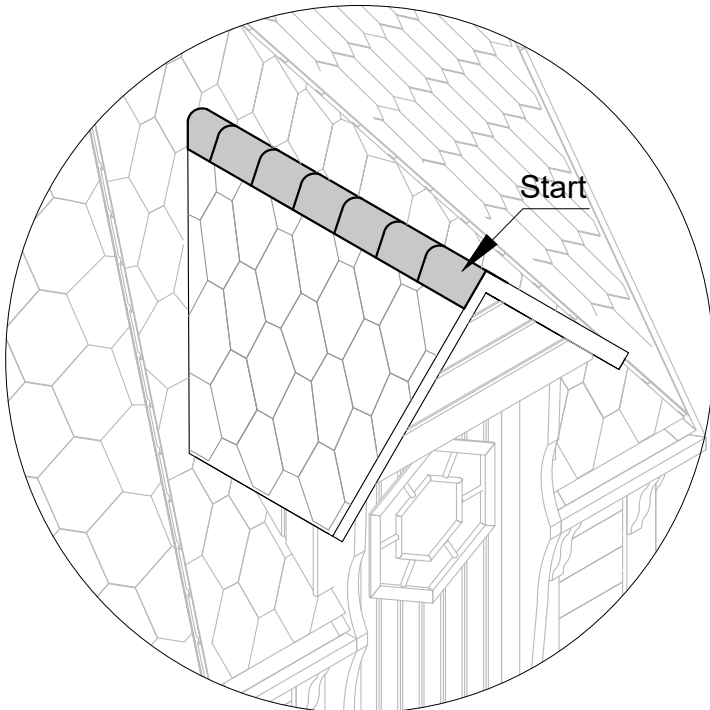


Bitumine-
juosta-3x70x1360

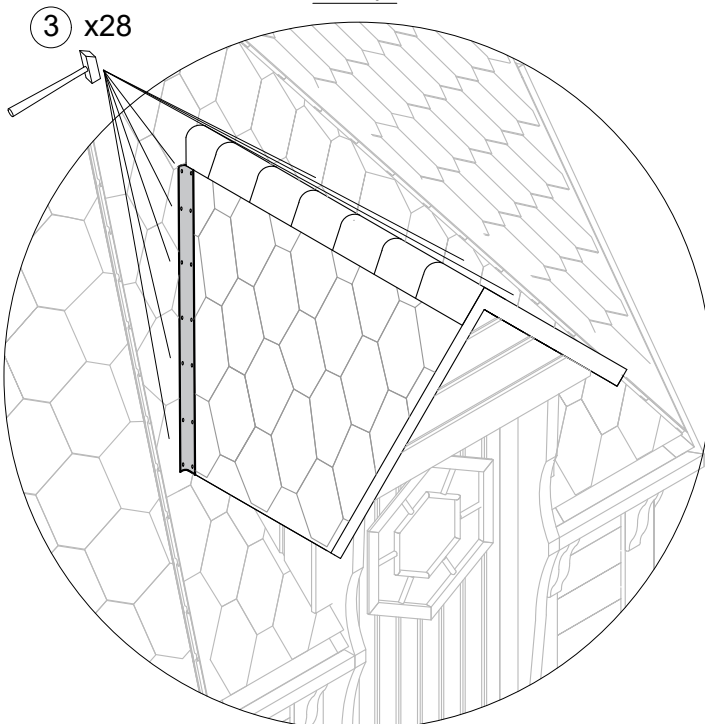


T-V-2x20

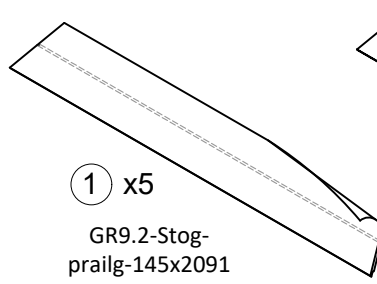
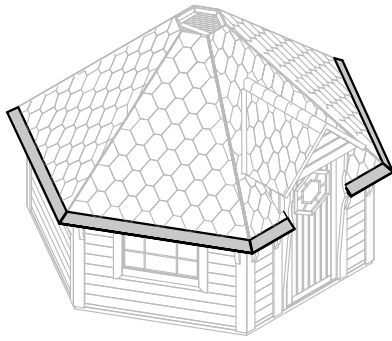
1 Step



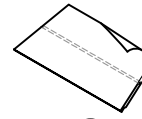
2 Step



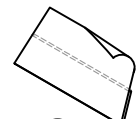
11. Grill / Camping / Sauna Cabin 9.2 ROOF FINISHING



① x5
GR9.2-Stog-
prailg-145x2091



② x1
GR9.2-Stog-
prailg-145x613-(k)

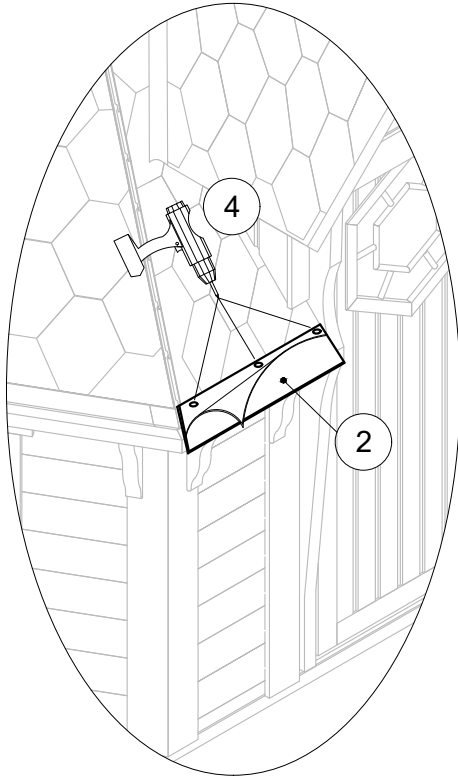


③ x1
GR9.2-Stog-
prailg-145x613-(d)

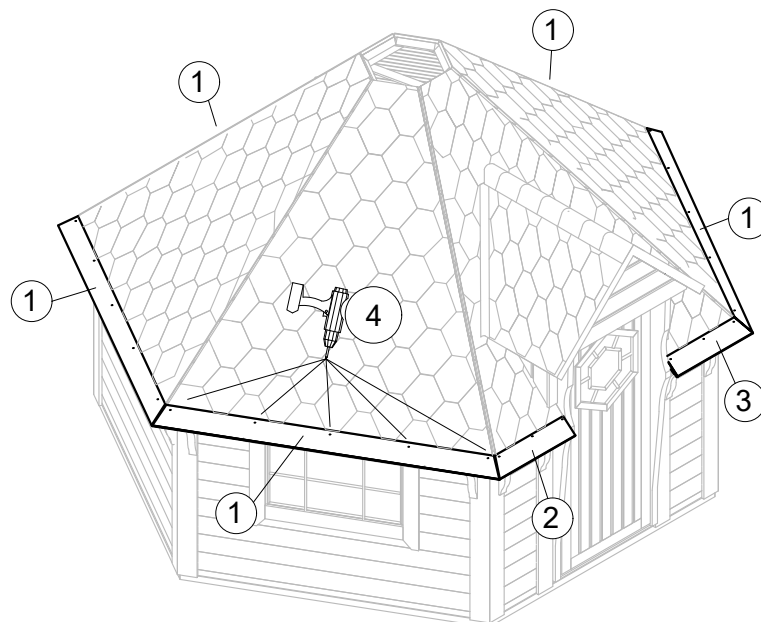
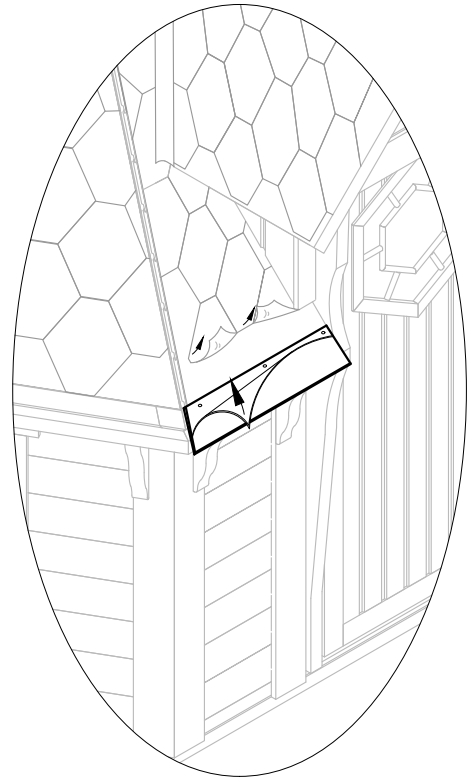
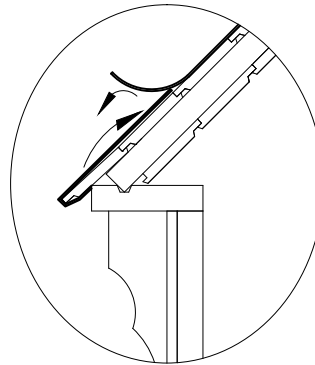
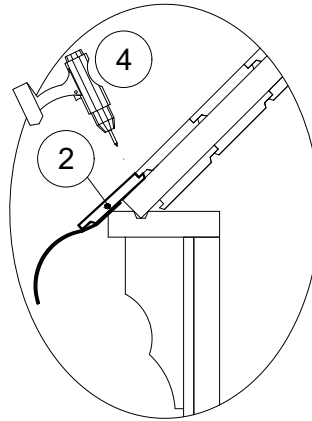


④ x31
T-BC-4x50

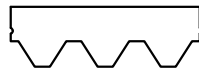
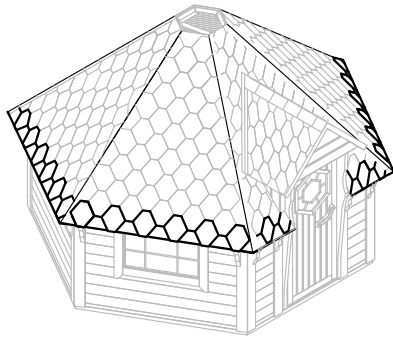
1 Step



2 Step

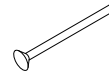


11.1 Grill / Camping / Sauna Cabin 9.2 ROOF FINISHING



① x13

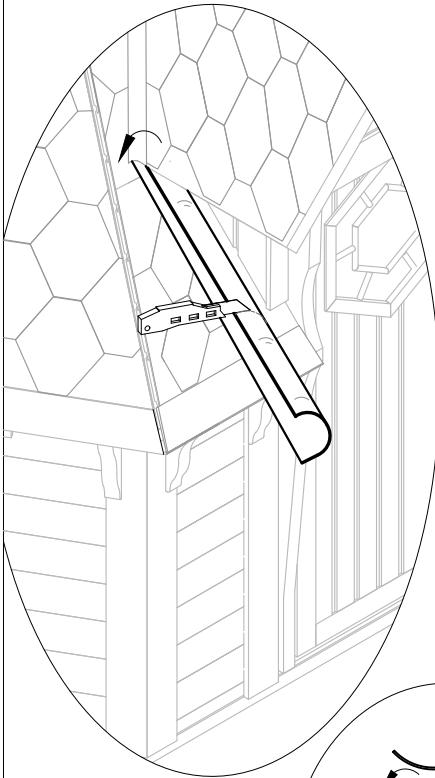
Bitumines-cerpes
-3x317x1000



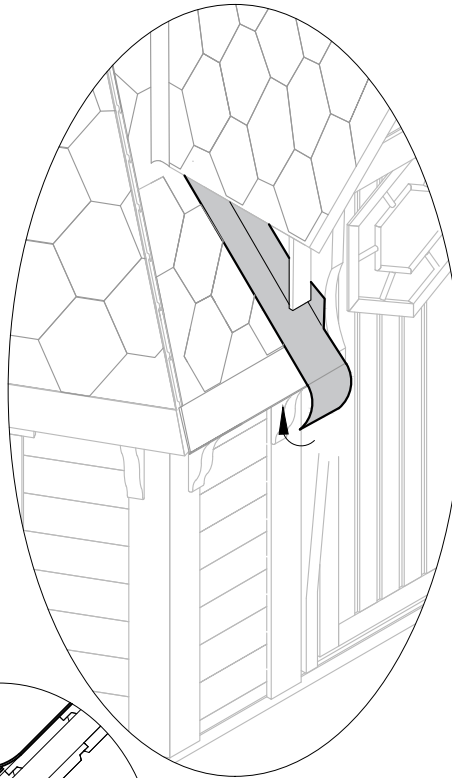
② x 150

T-V-2x20

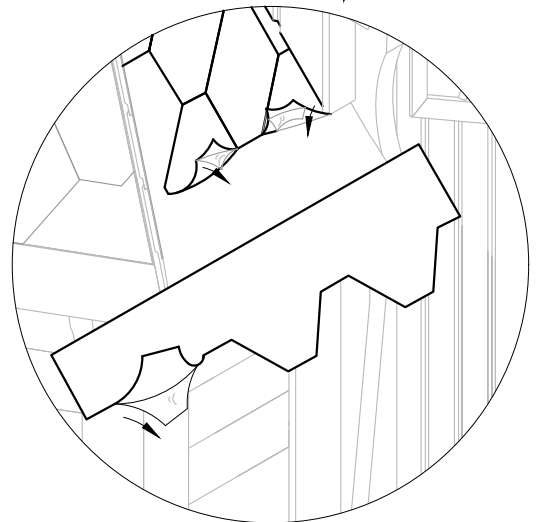
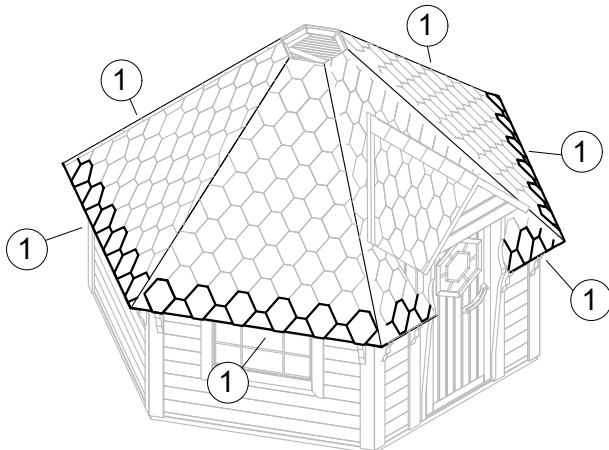
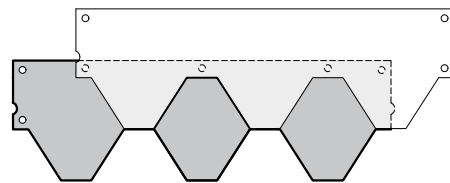
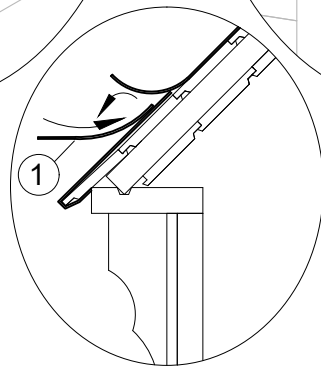
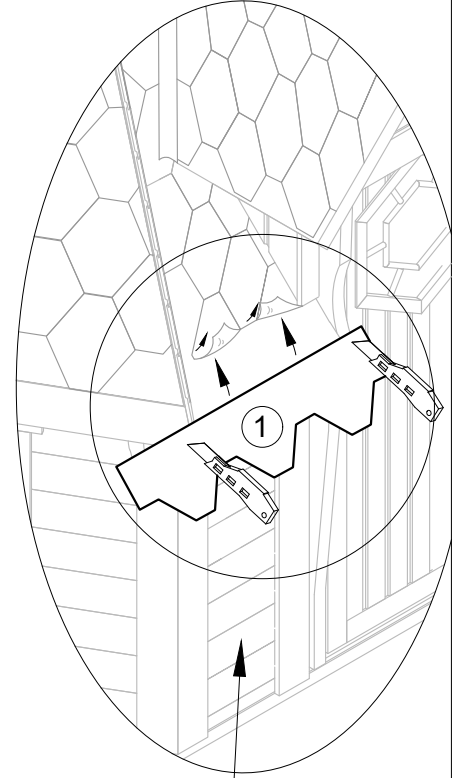
1 Step



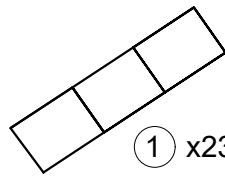
2 Step



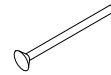
3 Step



11.2 Grill / Camping / Sauna Cabin 9.2 ROOF FINISHING

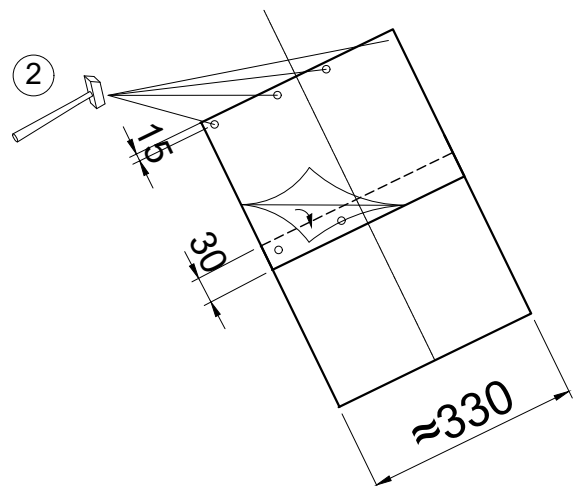
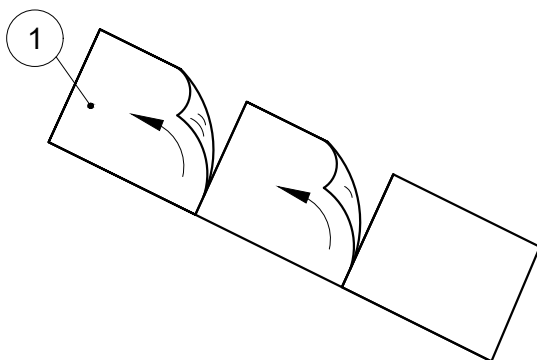
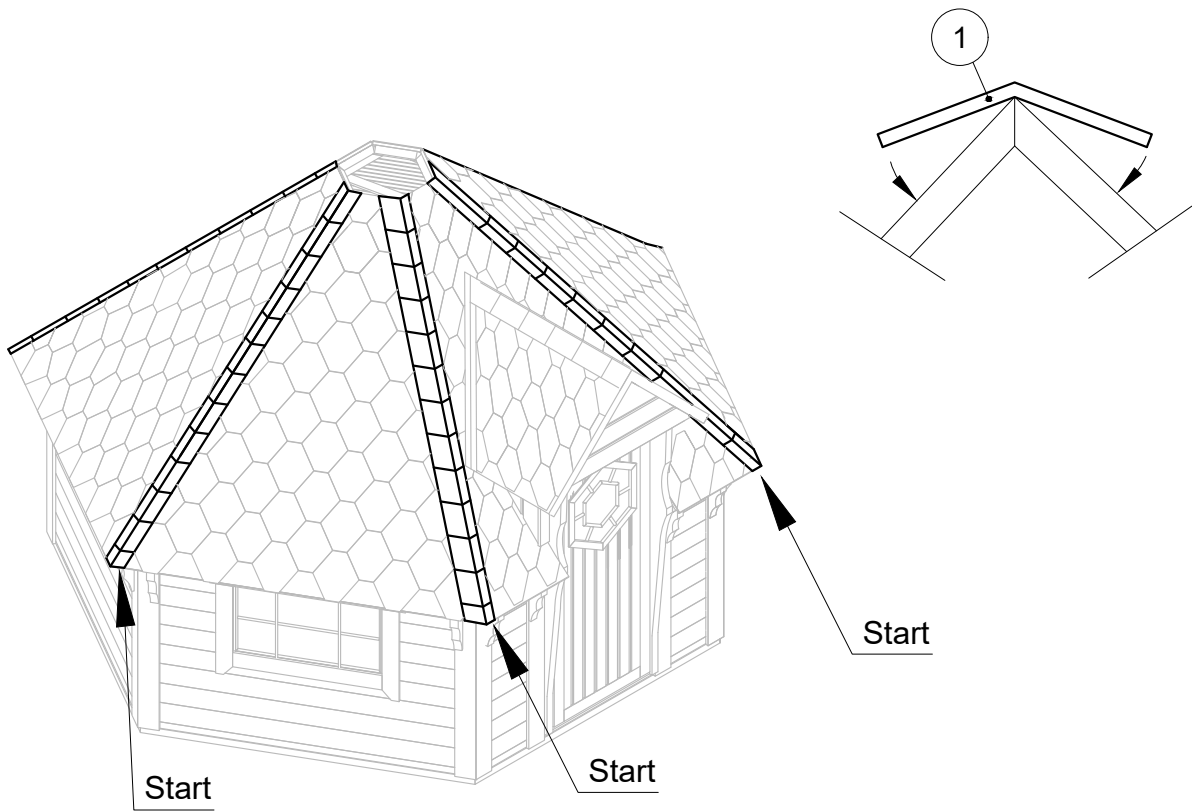


Bitumines-
cerpes-3x250x1000

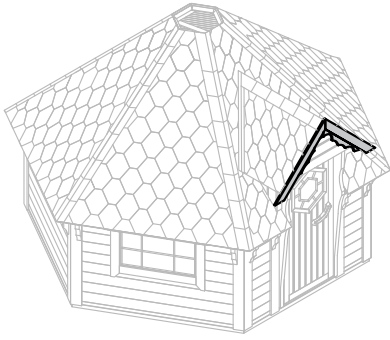


2 x 340

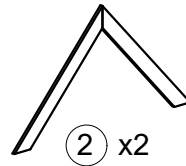
T-V-2x20



12. Grill / Camping / Sauna Cabin 9.2 OUTSIDE FINISHING BOARD



M-18x95x820-CNC



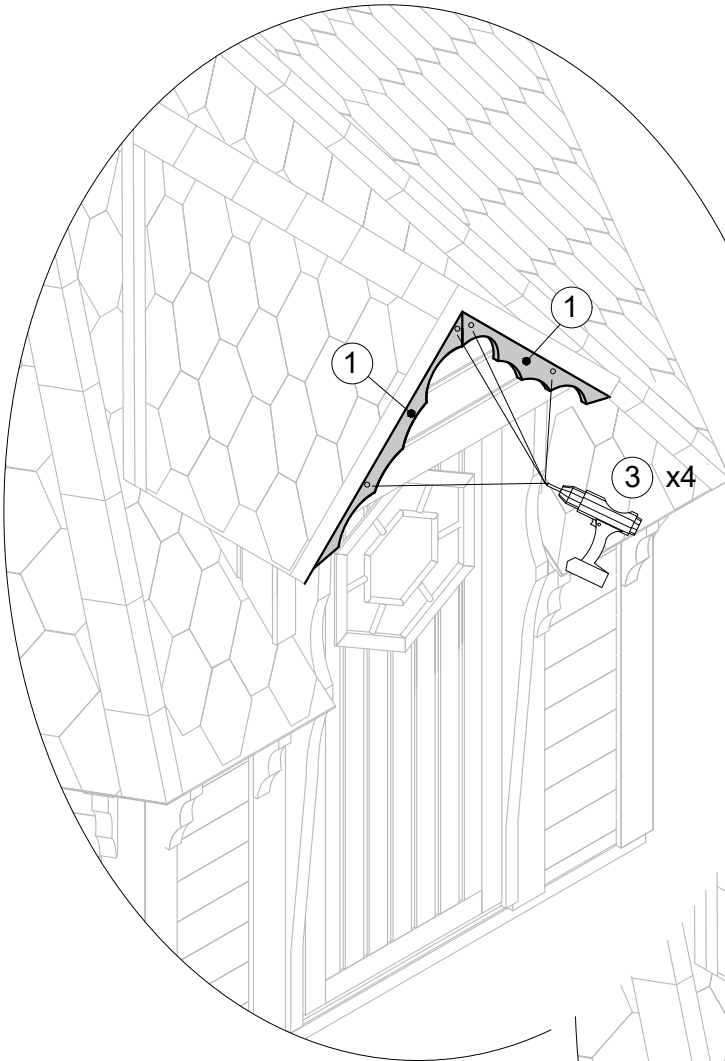
M-18x95x1050-F



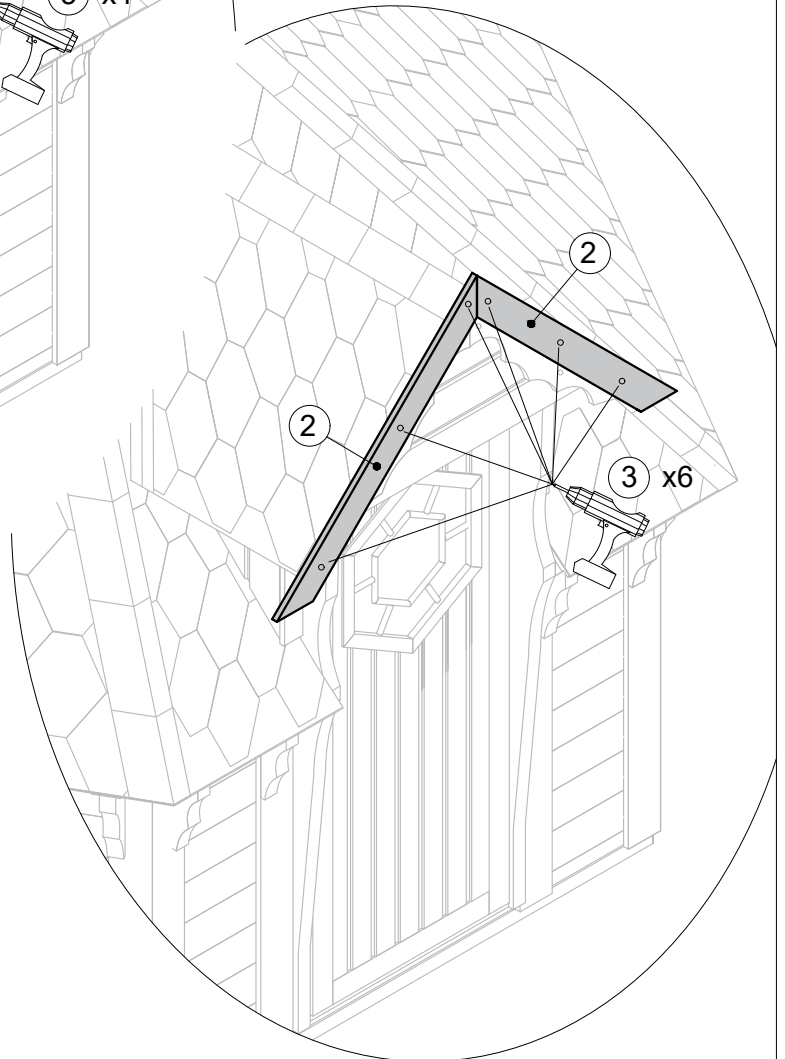
T-GC-3.5x45

T-GC-3.5x45

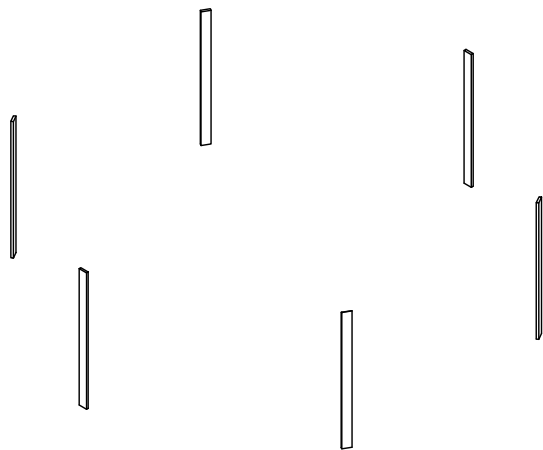
1 Step



2 Step



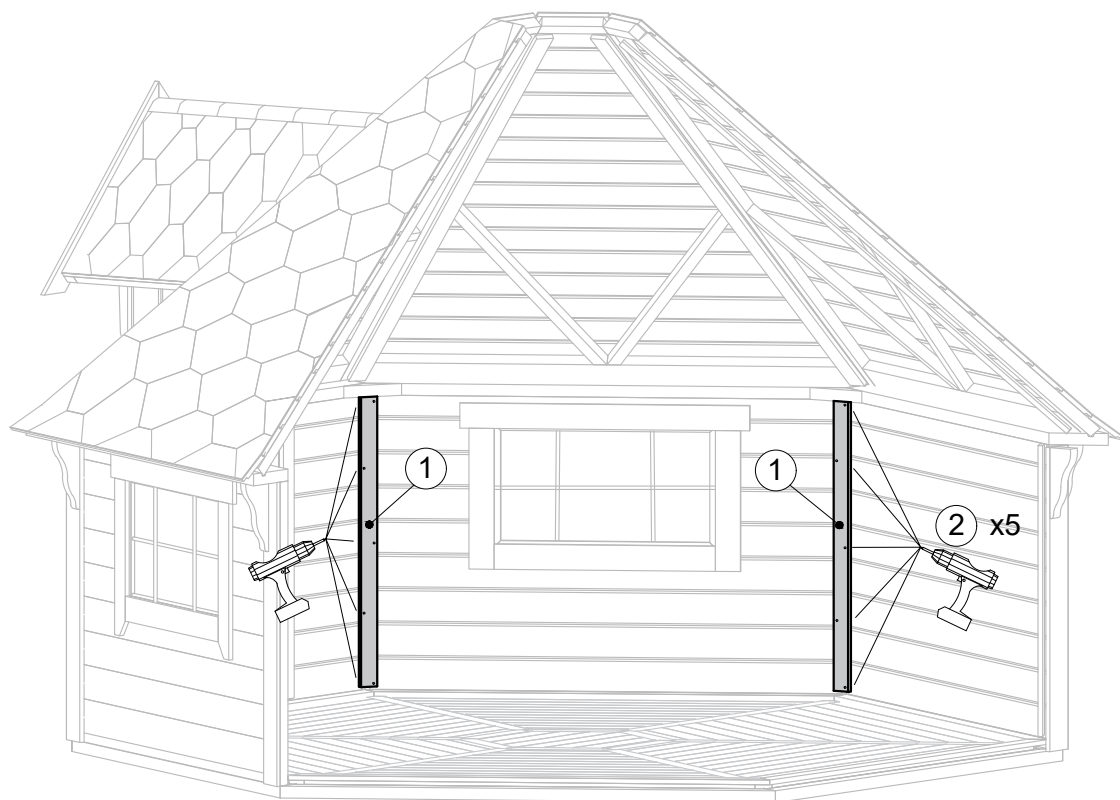
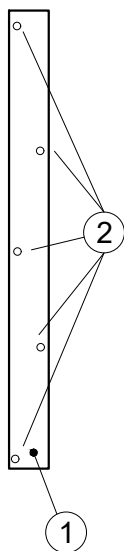
13. Grill / Camping / Sauna Cabin 9.2 INSIDE FINISHING BOARD



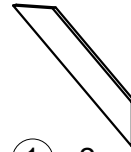
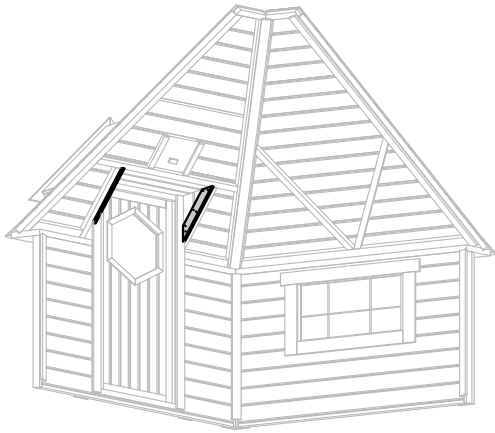
① x6
M-18x70x1105
or
M-18x70x1235
or
M-18x70x1365



② x36
T-GC-3.5x45



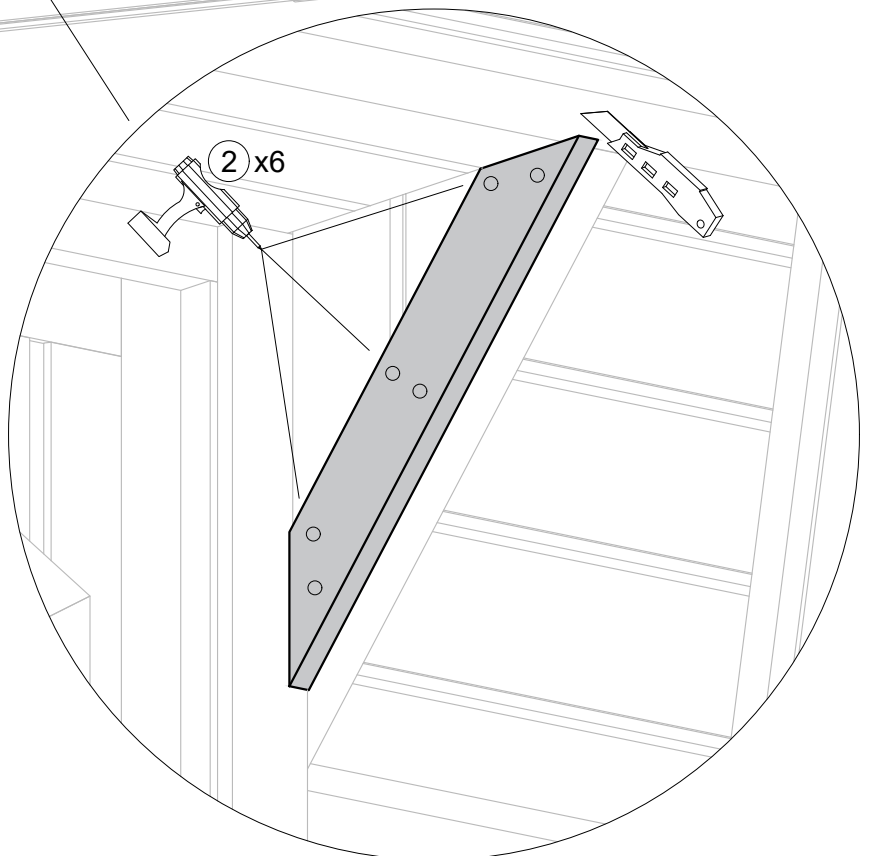
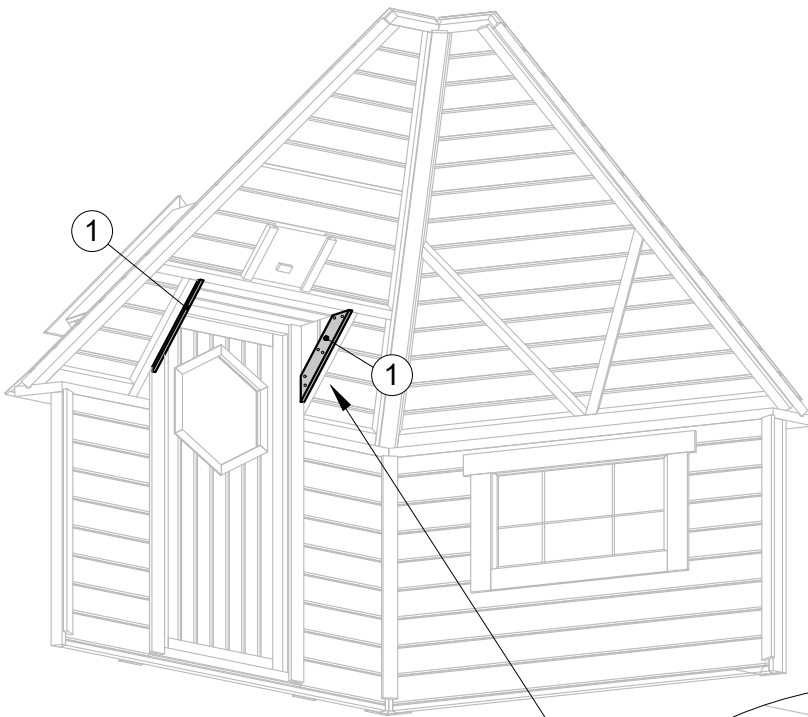
13.1 Grill / Camping / Sauna Cabin 9.2
INSIDE FINISHING BOARD



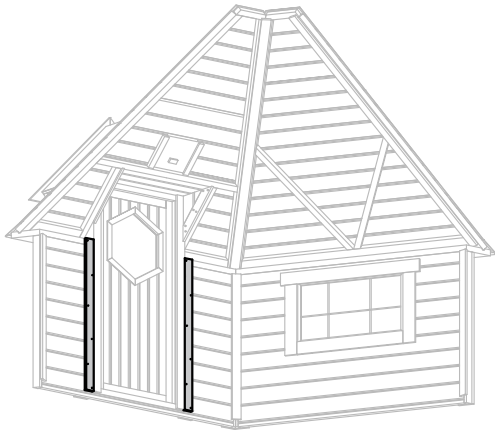
① x2
M-18x83x488-F



② x12
T-GC-3.5x45



13.2 Grill / Camping / Sauna Cabin 9.2
INSIDE FINISHING BOARD



① x2

M-18x70x1150

or

M-18x70x1280

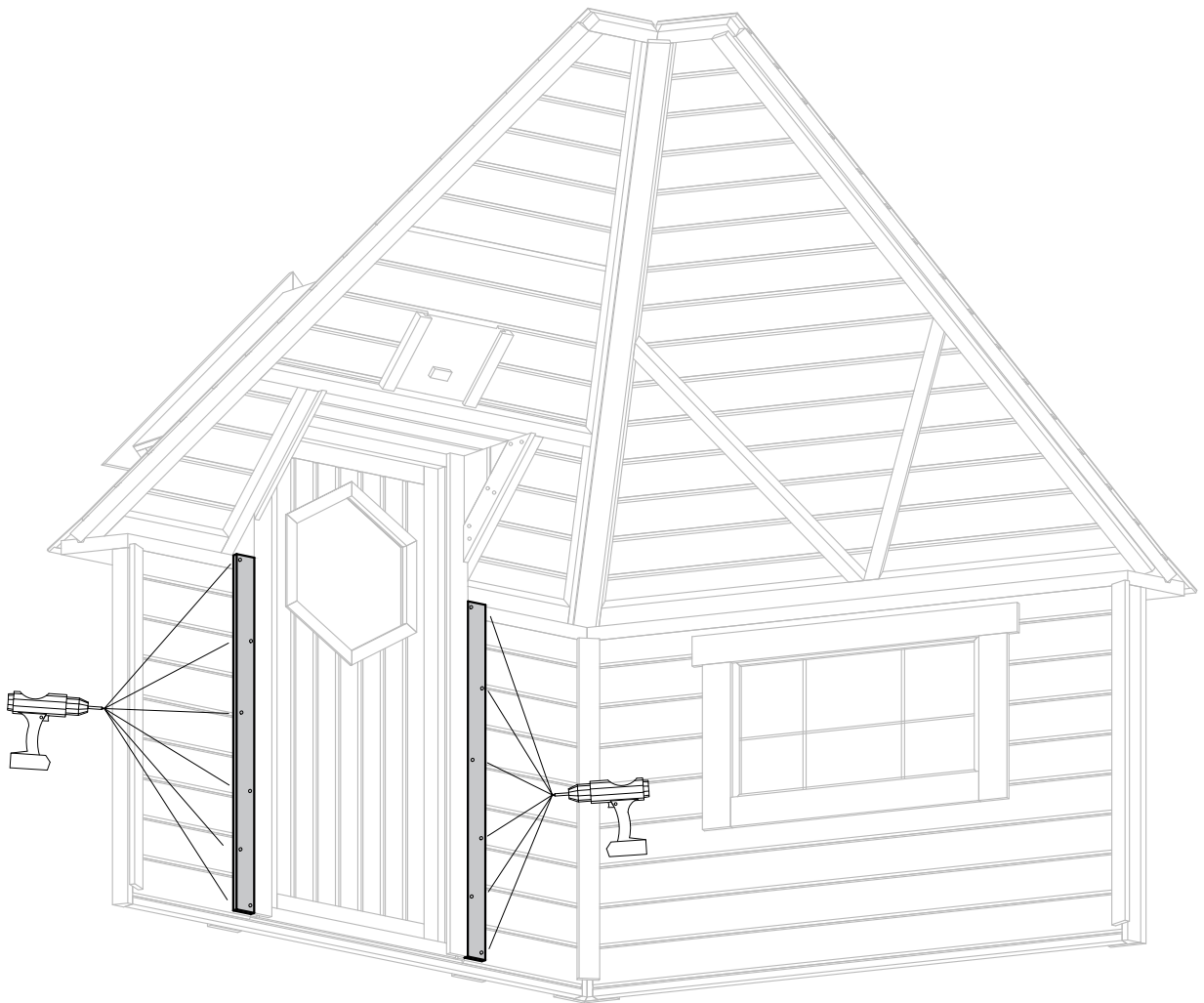
or

M-18x70x1410

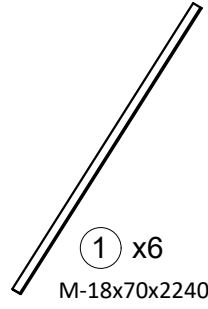
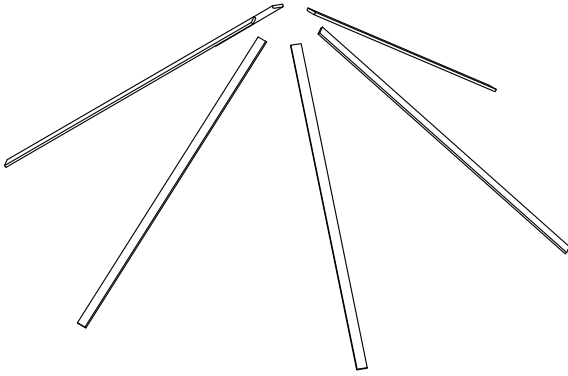


② x12

T-GC-3.5x45



13.3 Grill / Camping / Sauna Cabin 9.2
INSIDE FINISHING BOARD



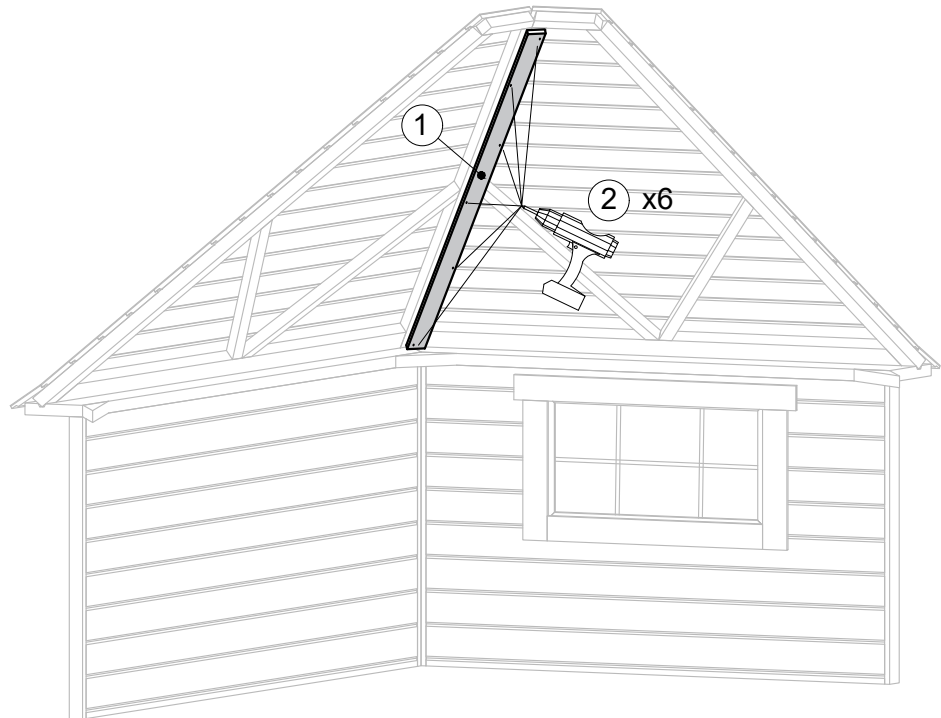
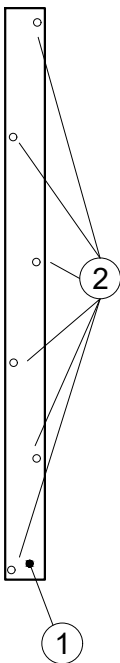
① x6

M-18x70x2240



② x36

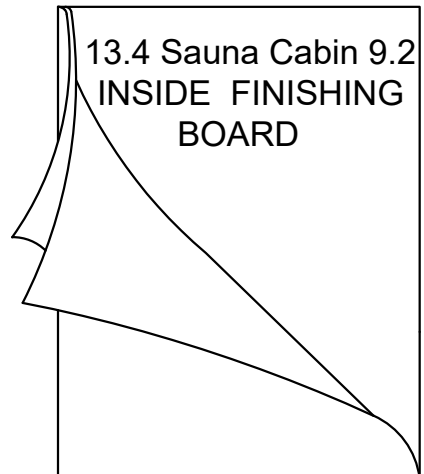
T-GC-3.5x45



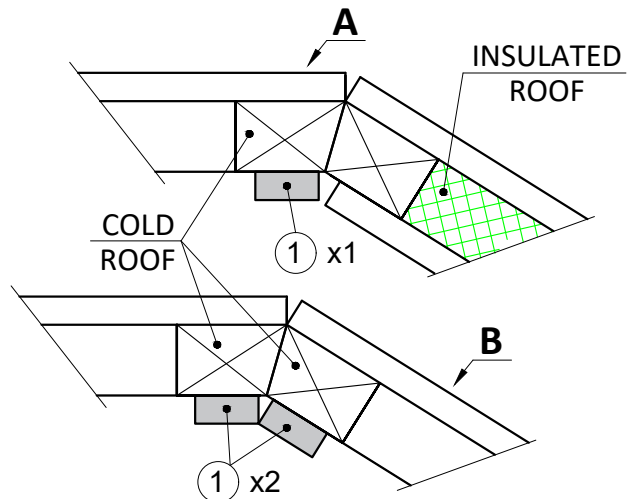
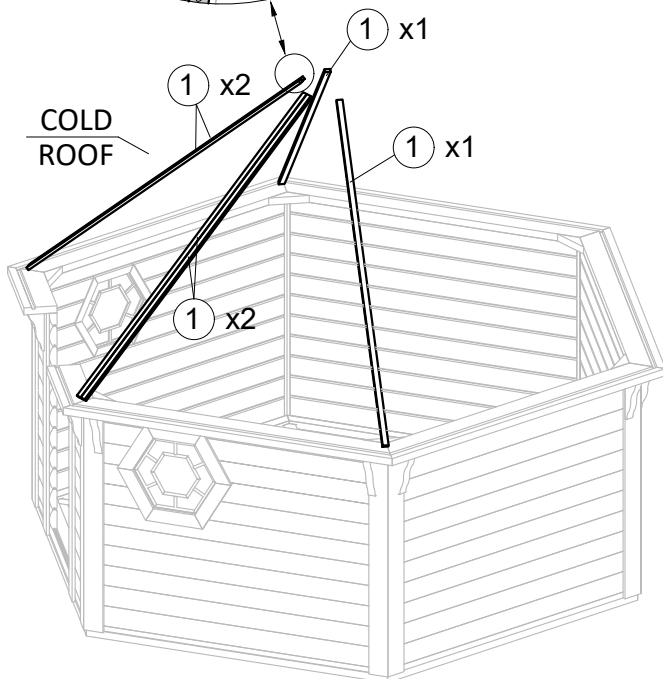
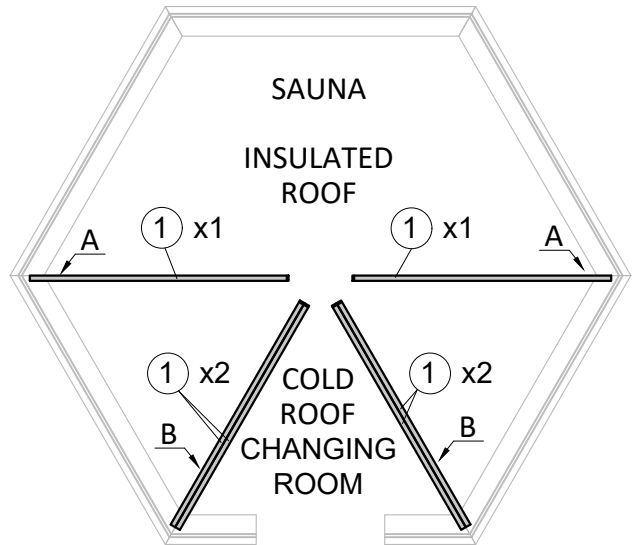
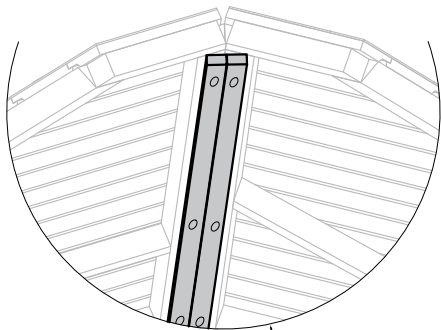
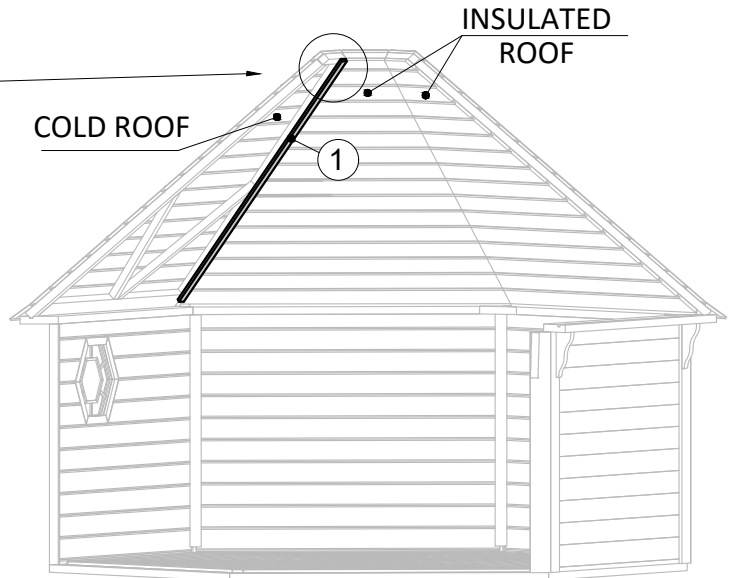
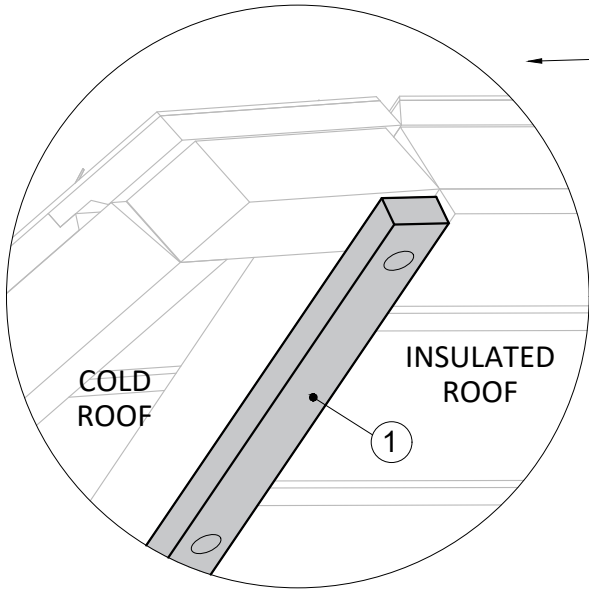
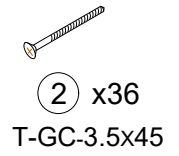
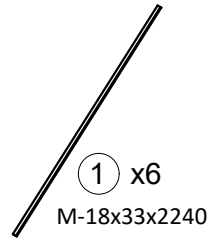
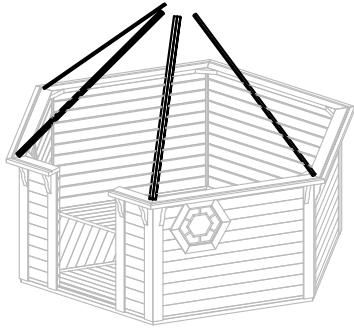
IF Sauna Cabin 9.2
WITH CHANGING ROOM



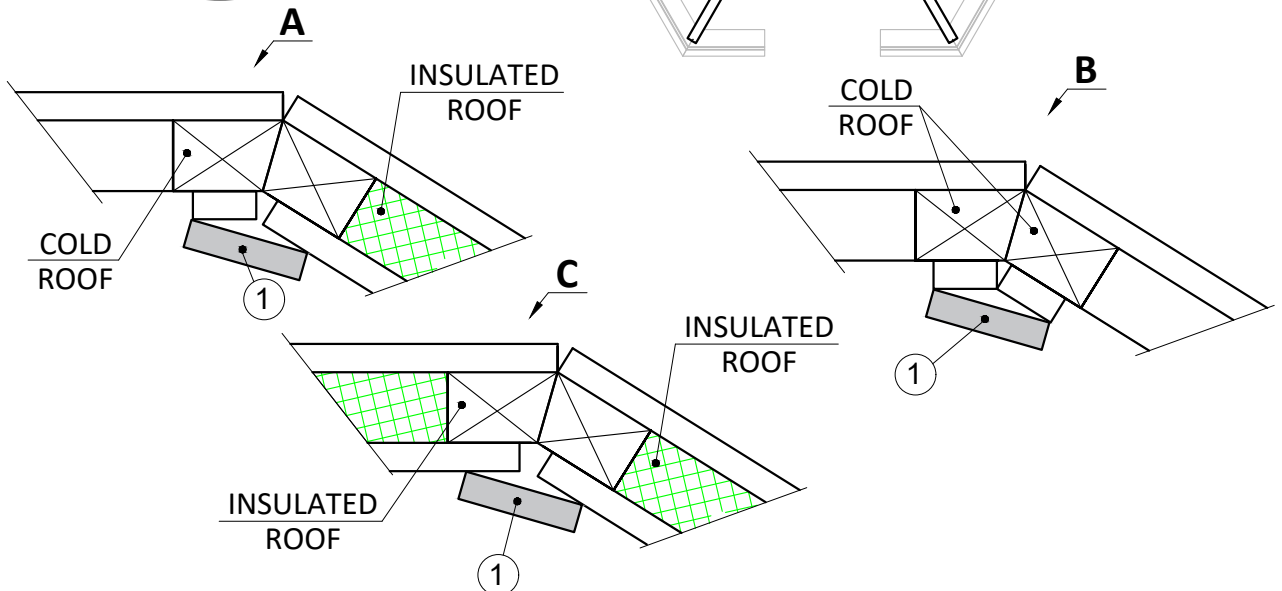
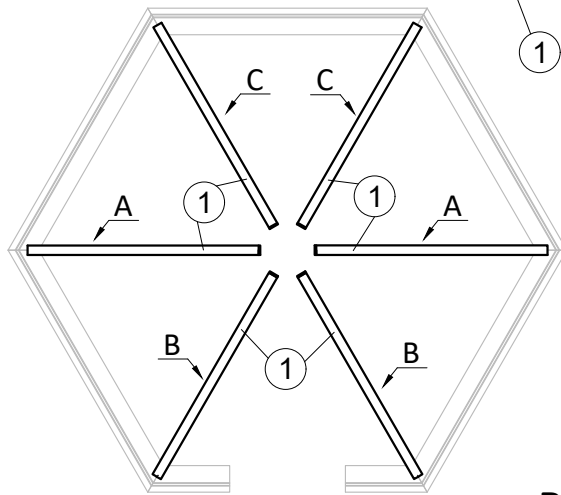
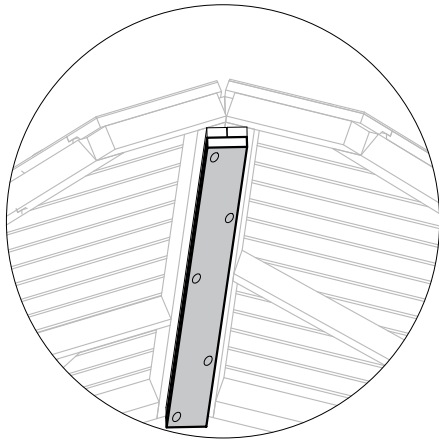
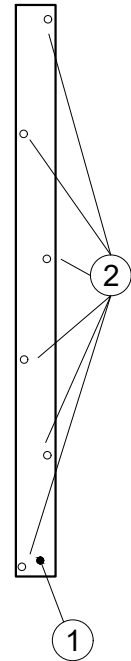
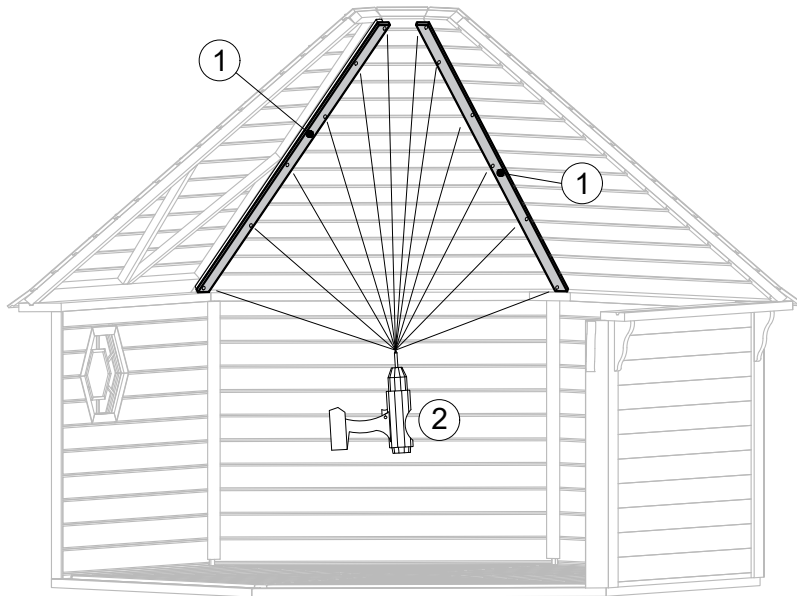
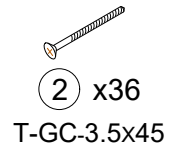
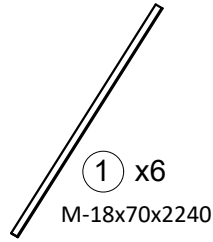
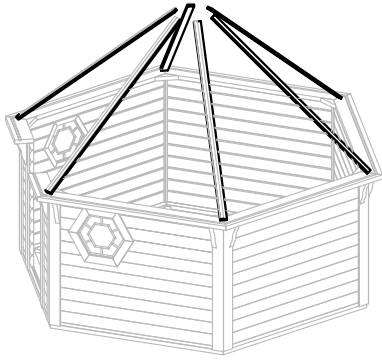
13.4 Sauna Cabin 9.2
INSIDE FINISHING
BOARD



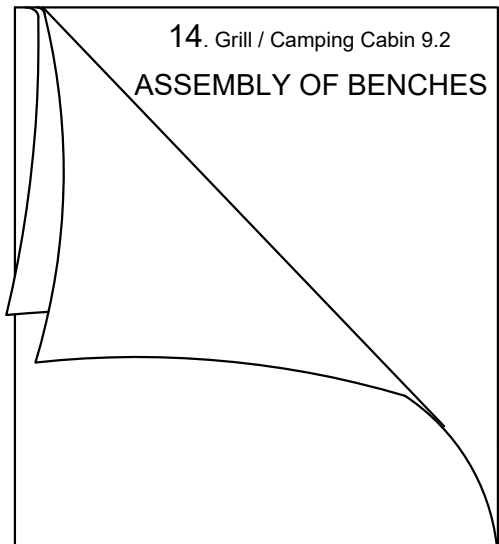
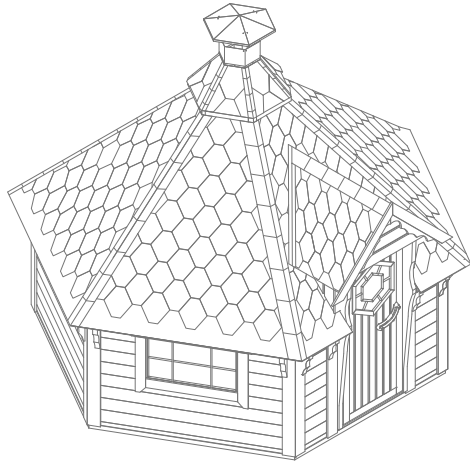
13.4 Sauna Cabin 9.2 INSIDE FINISHING BOARD



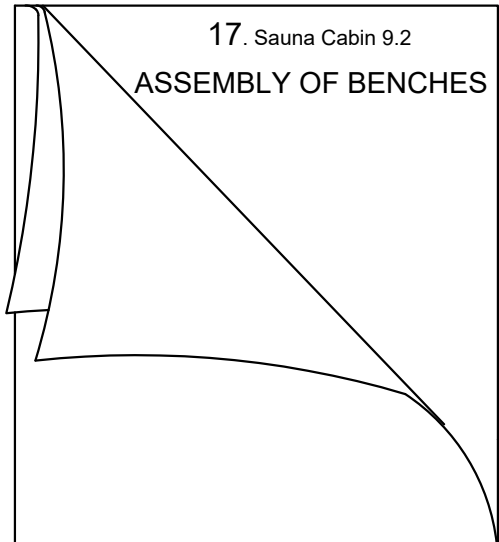
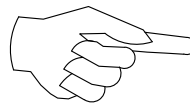
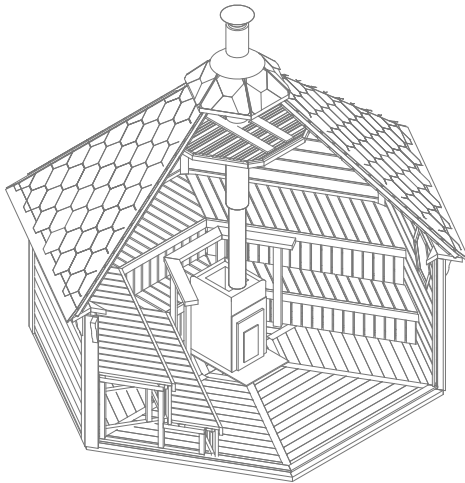
13.5 Sauna Cabin 9.2 INSIDE FINISHING BOARD



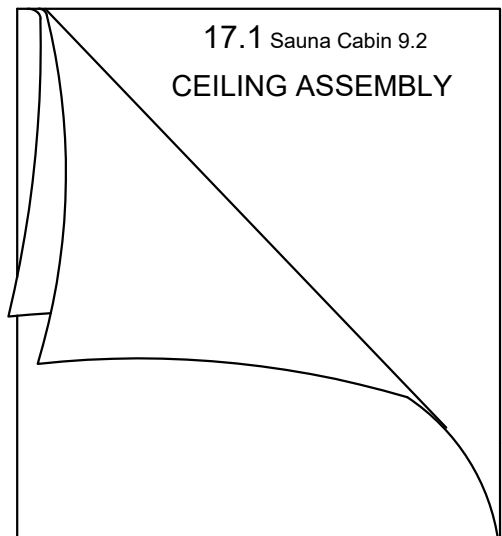
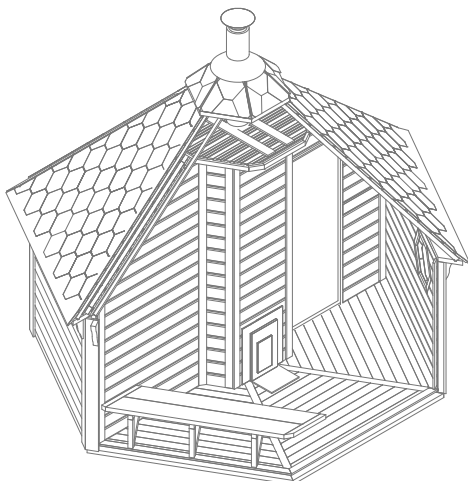
GRILL / CAMPING CABIN 9.2



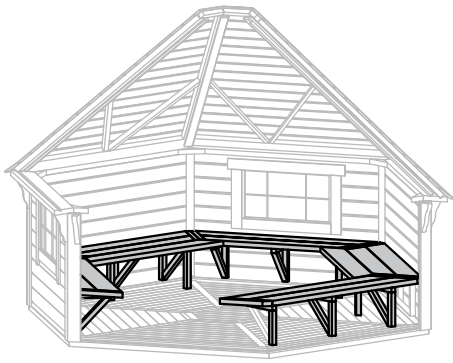
SAUNA CABIN 9.2



SAUNA CABIN 9.2 WITH CHANGING ROOM

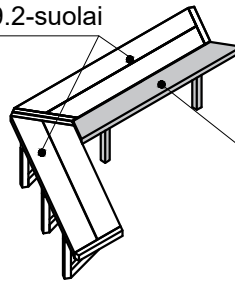


14. Grill / Camping Cabin 9.2 ASSEMBLY OF BENCHES



① x5

GR9.2-suolai



③ x2

GR9.2-suolu-
praplatinimas

④ x15
GR-suolu-
kojos

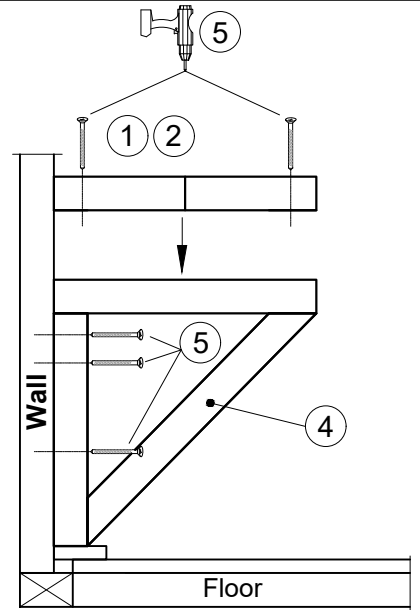
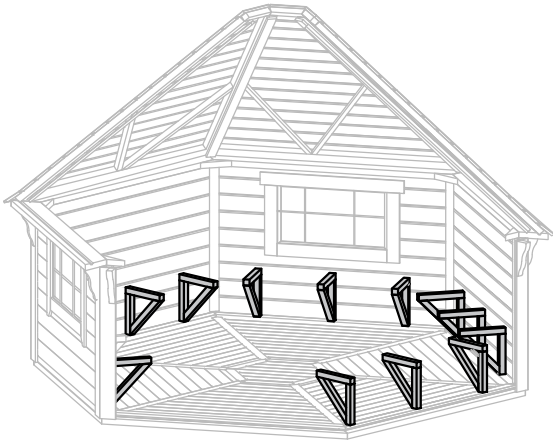


⑤ x75
T-GC-6x80

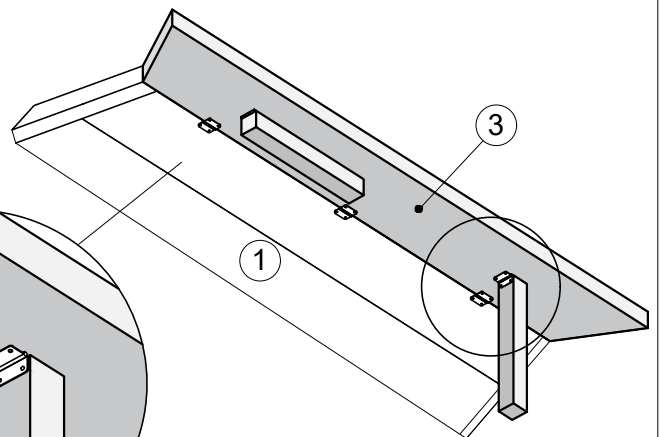
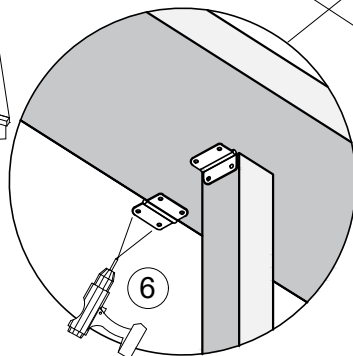
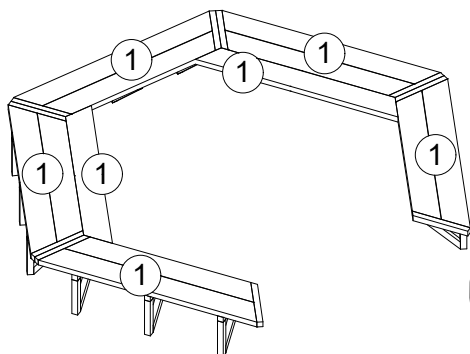
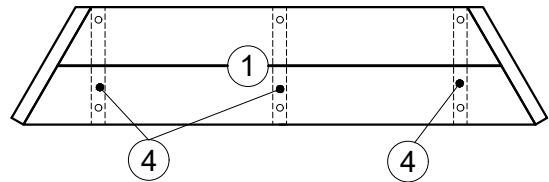
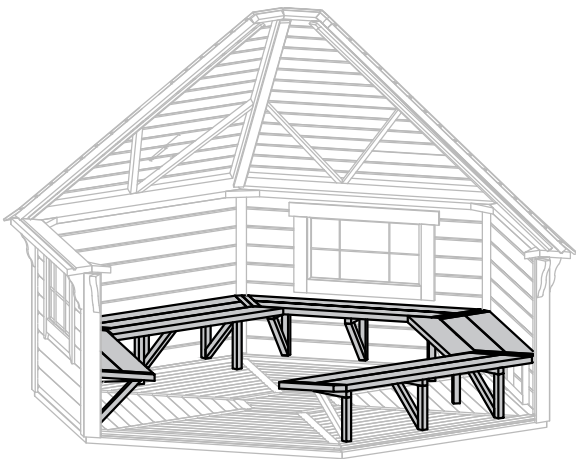


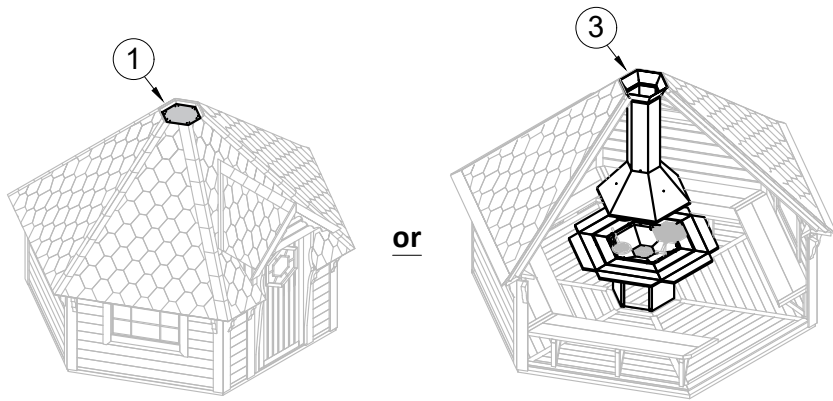
⑥ x12
T-GC-3x30

1 Step



2 Step



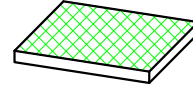


15. Grill Cabin 9.2



① x1

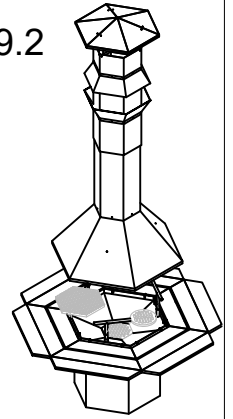
GR6k-Stog-
dangtis-433x500



If insulated roof

② x1

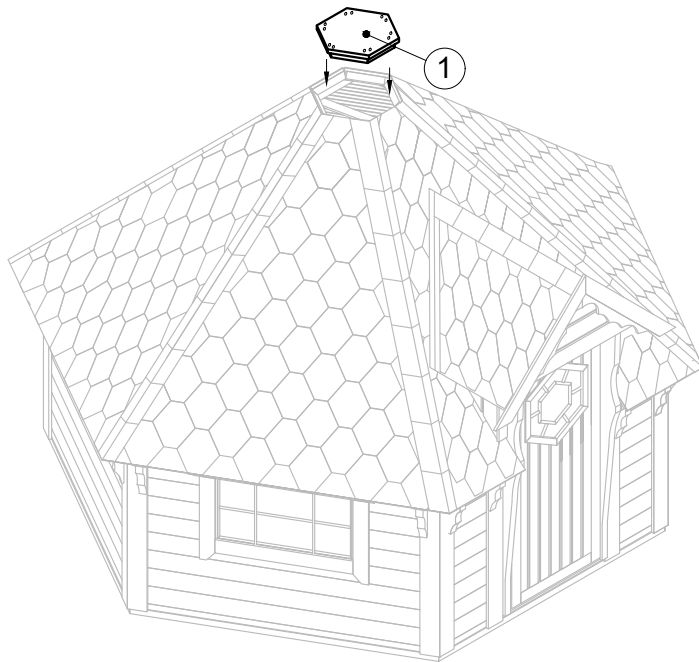
Akmens
vata



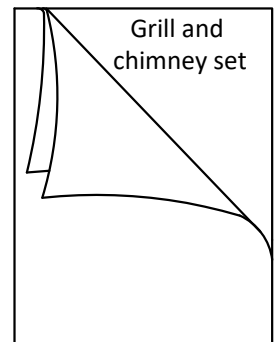
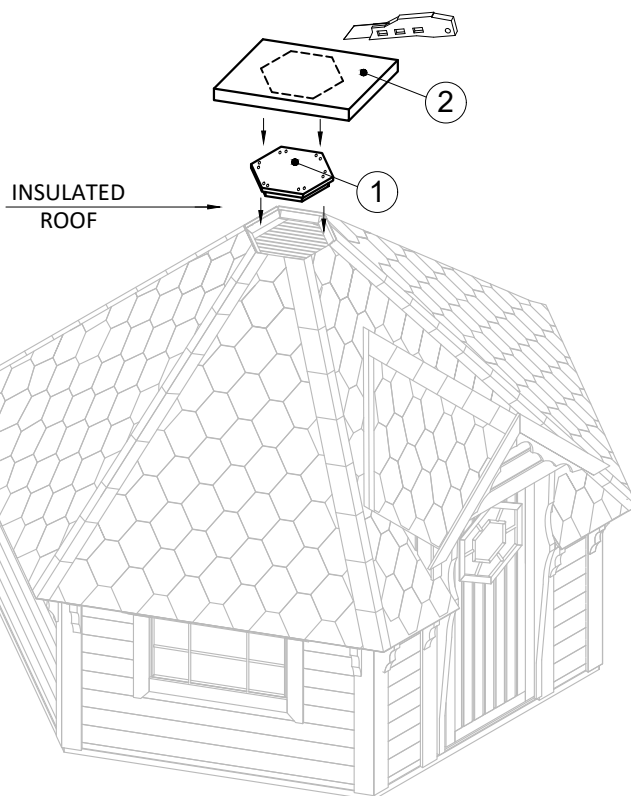
or

③ x1

GRC06
or
GRCV01
or
GRL06
or
GRP06

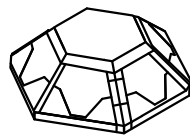
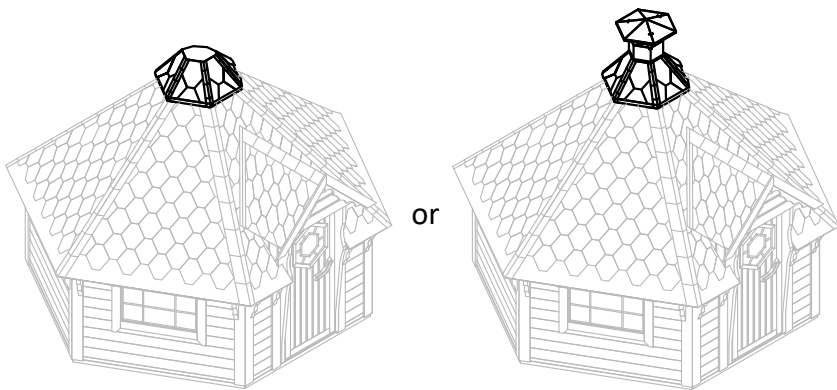


or



Grill and
chimney set

16. Grill / Camping Cabin 9.2
ROOF HAT



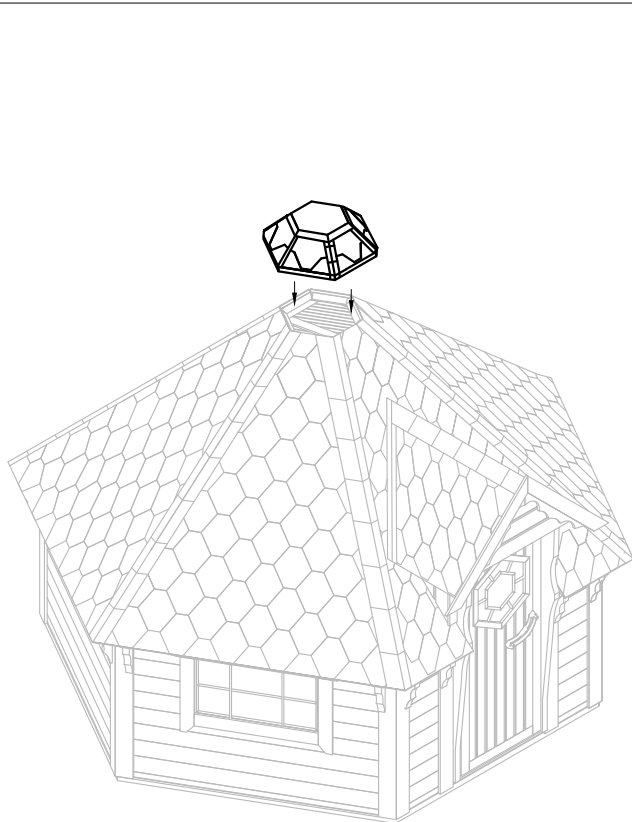
① x1

GR6k-Kepures-dangtis
or
GR6k-Kepure

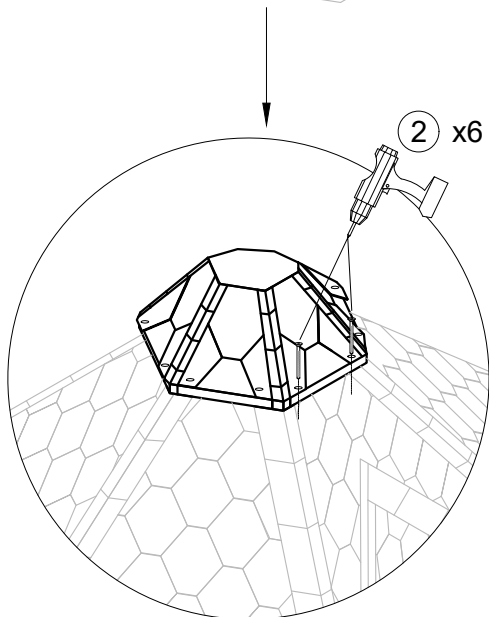
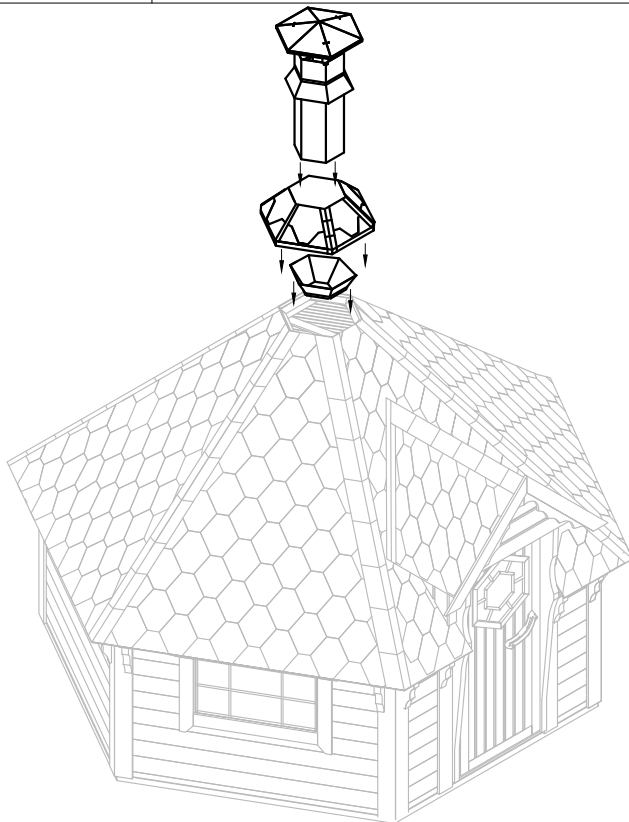


② x6

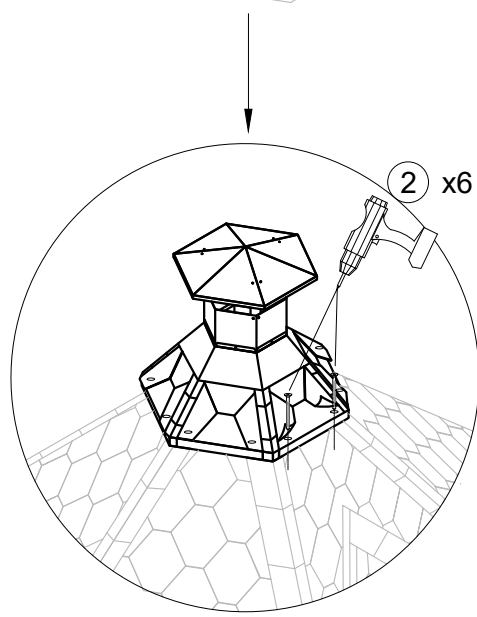
T-GC-4x70



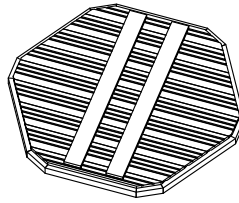
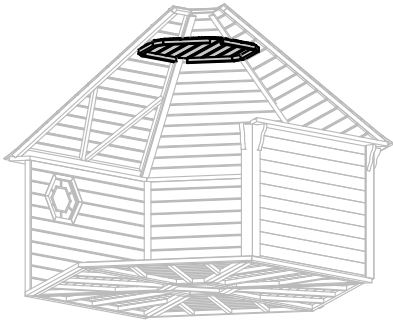
or



or



17. Sauna Cabin 9.2 CEILING ASSEMBLY



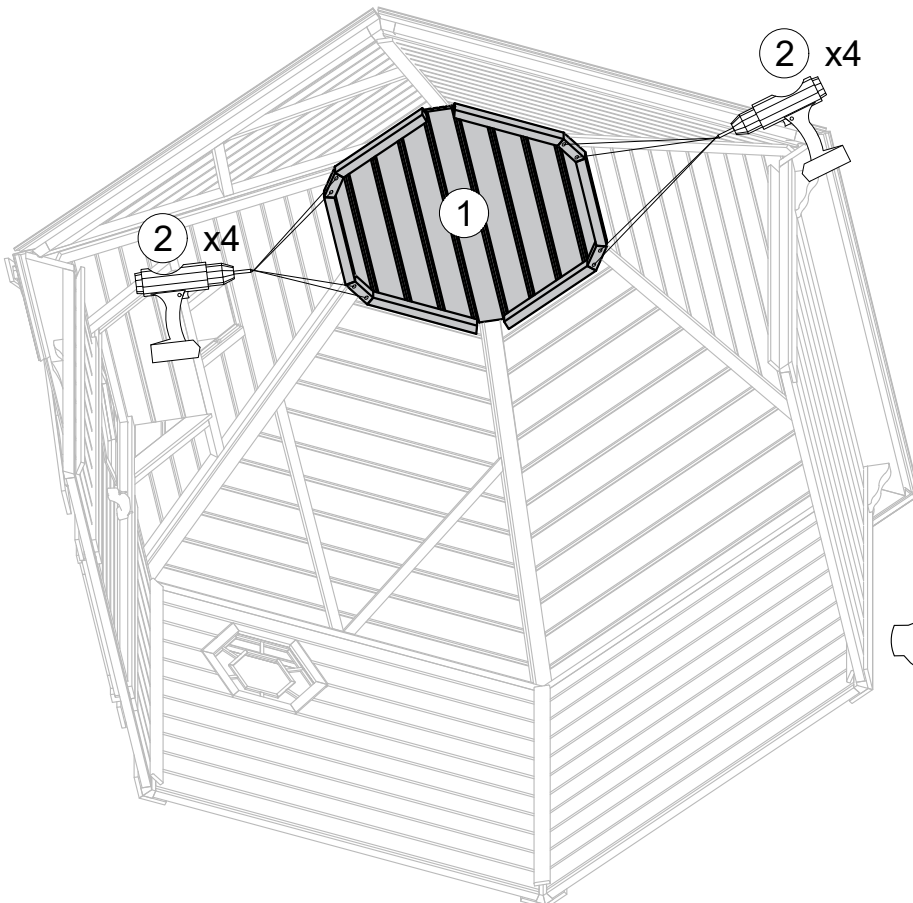
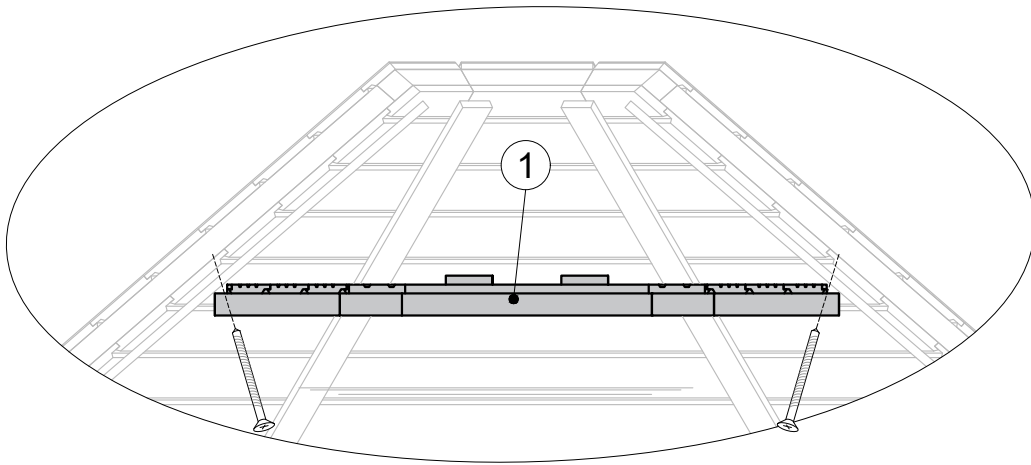
1 x1

S9.2-lubos-1270x1173



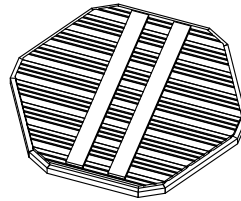
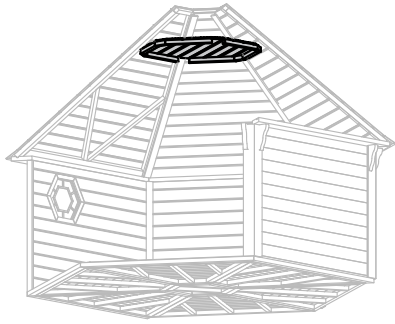
2 x8

T-GC-5x100



26. Sauna Cabin 9.2
SAUNA
BENCHES

17.1 Sauna Cabin with changing room 9.2 CEILING ASSEMBLY



1 x1

S9.2-lubos-1270x1173

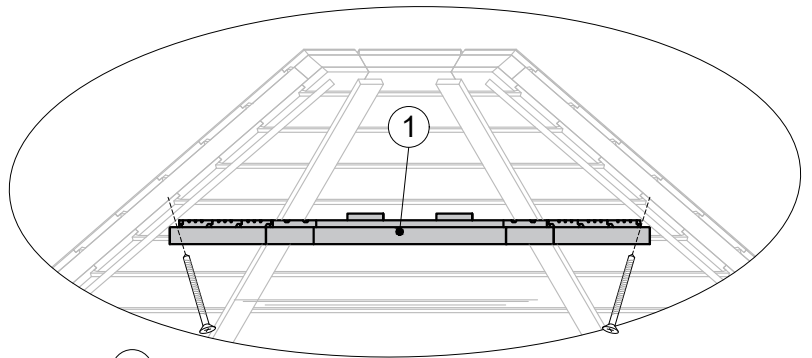
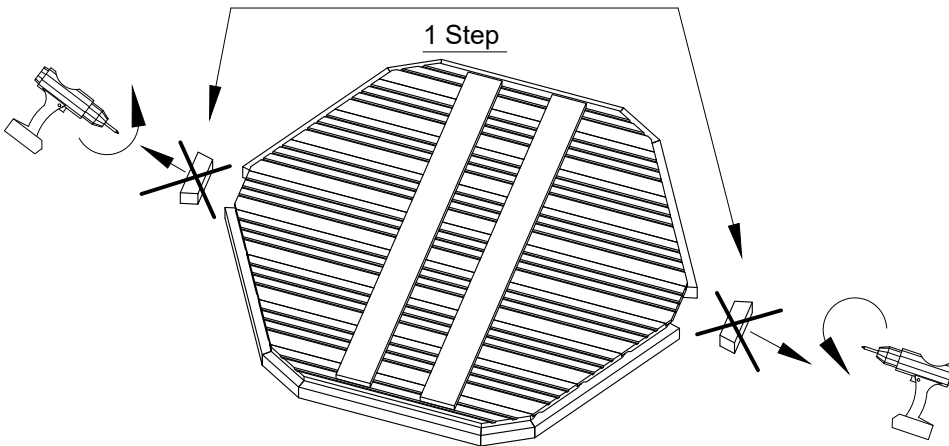


2 x8

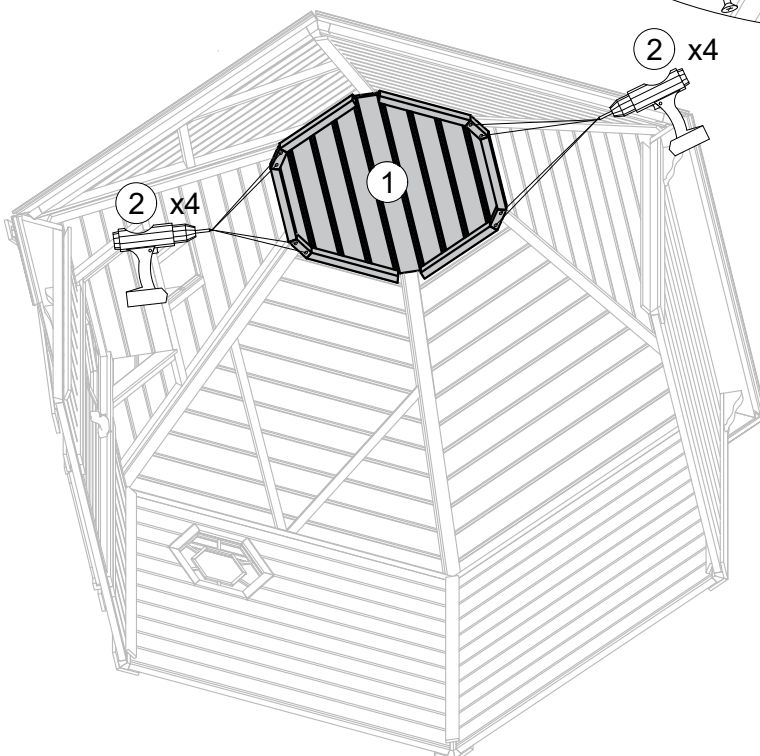
T-GC-5x100

IF Sauna Cabin 9.2 WITH CHANGING ROOM

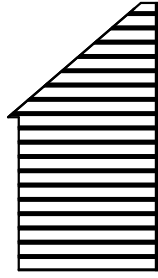
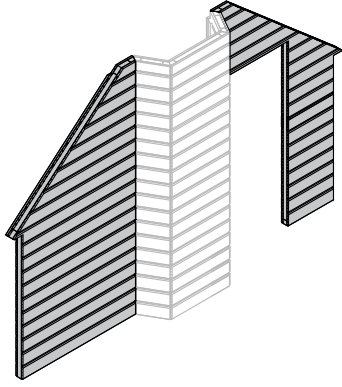
1 Step



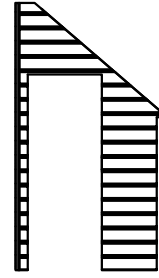
2 Step



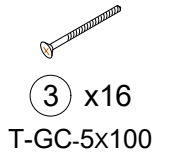
18. Sauna Cabin with changing room 9.2 INSIDE WALL ASSEMBLY



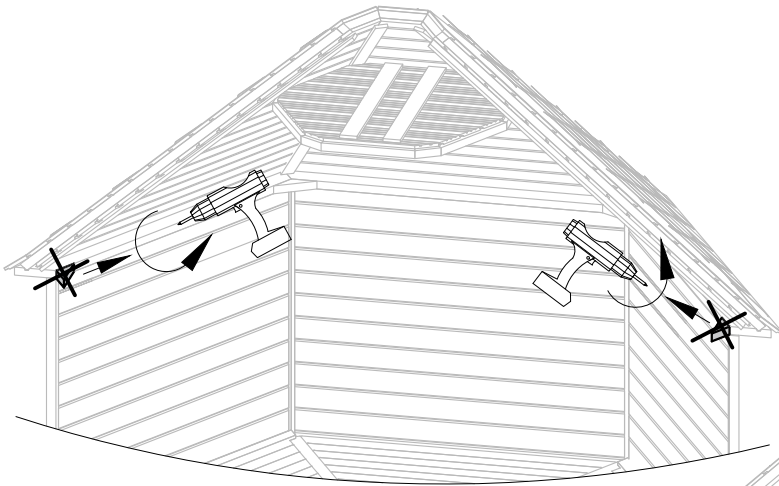
① x1
S9.2-Pertv-1434x2525



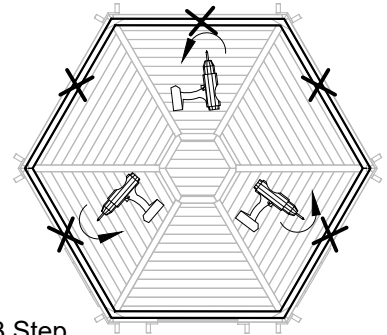
② x1
S9.2-PertvD-1434x2525



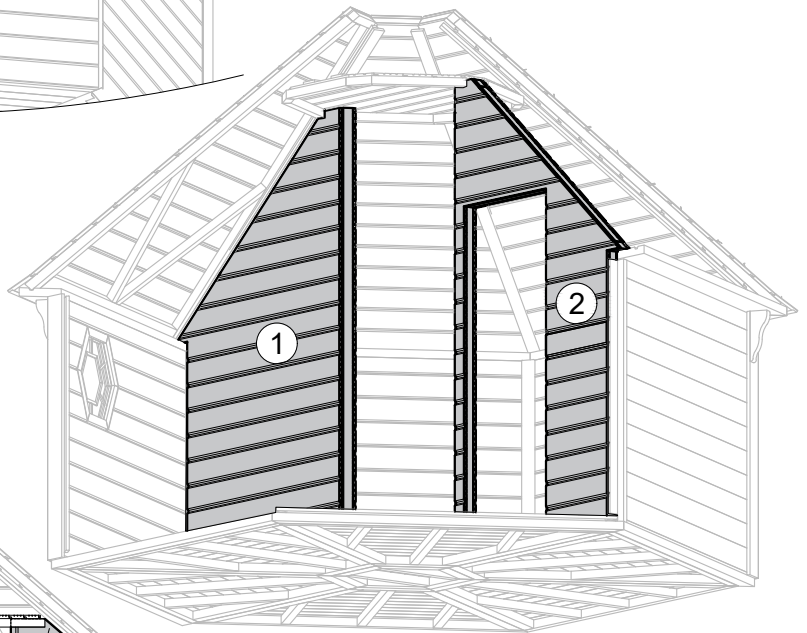
1 Step



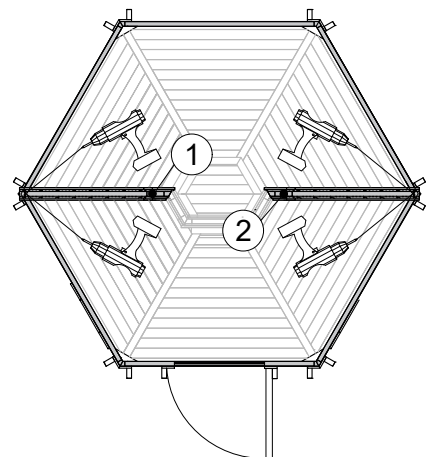
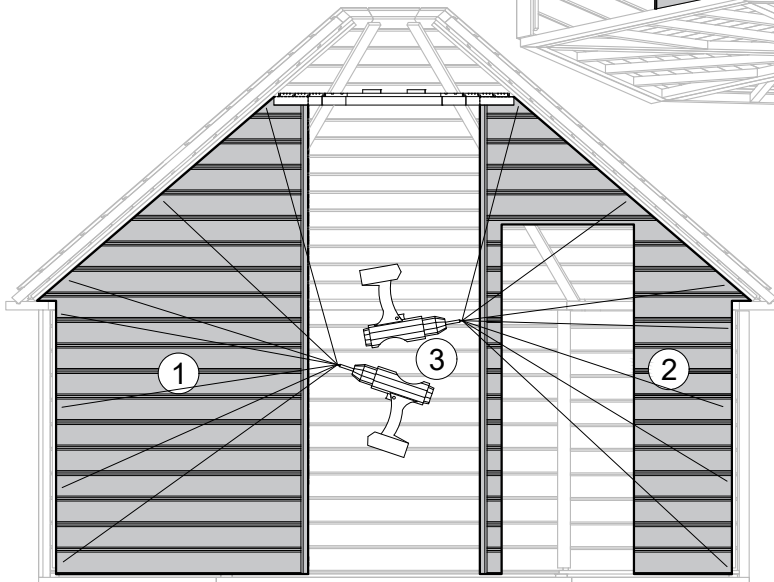
2 Step



3 Step

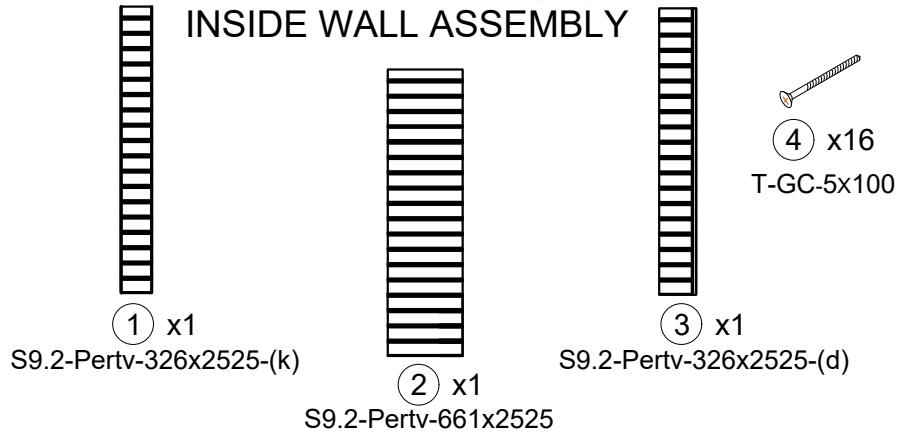
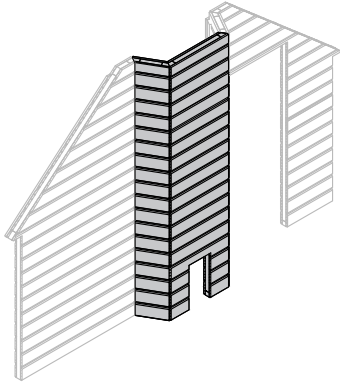


3 Step

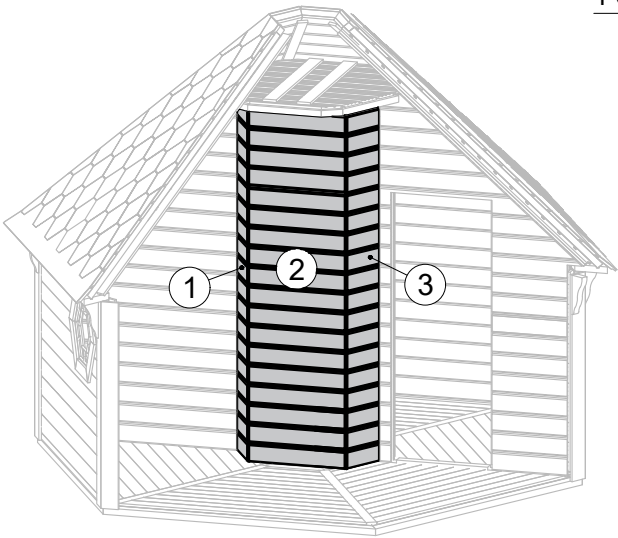


18.1 Sauna Cabin with changing room 9.2

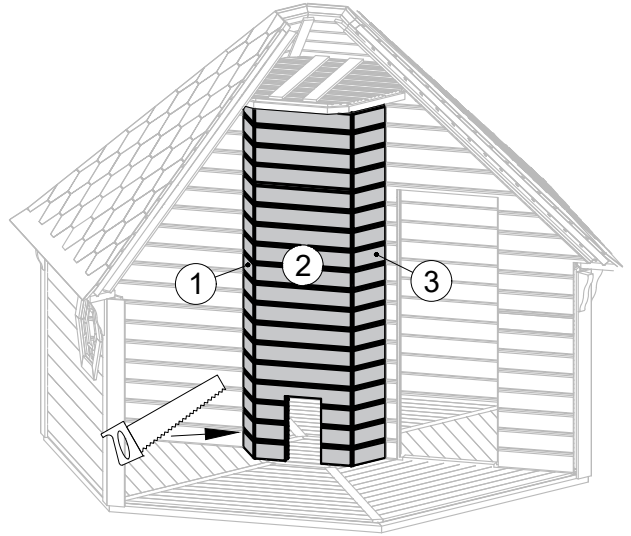
INSIDE WALL ASSEMBLY



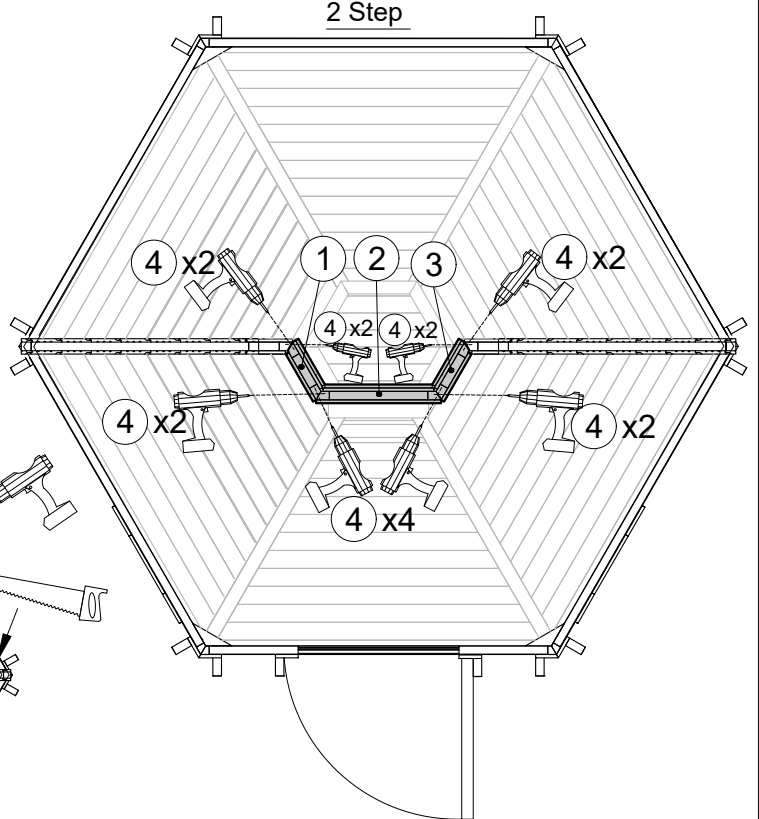
1 Step



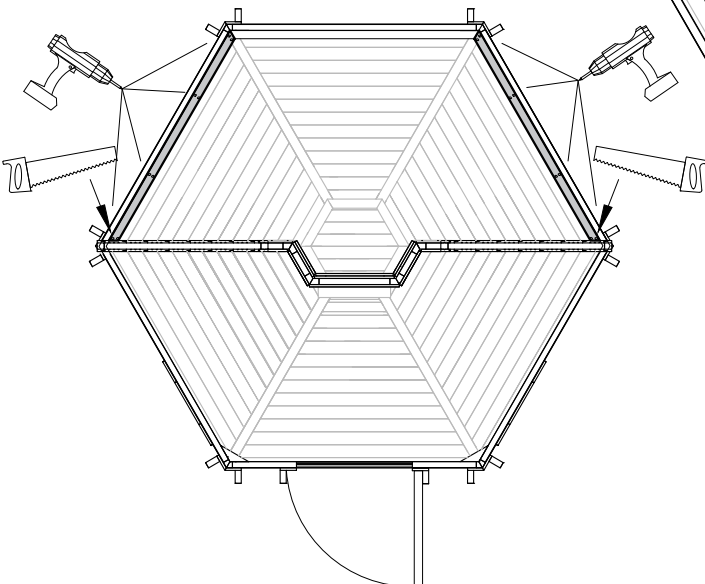
OR



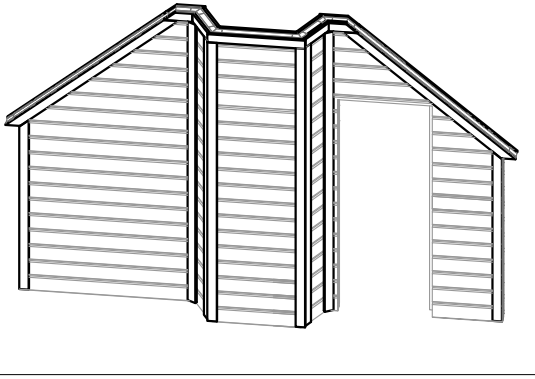
2 Step



3 Step



19. Sauna Cabin with changing room 9.2 INSIDE WALL FINISHING BOARD

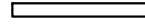
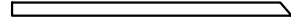
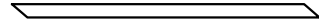
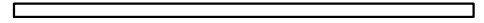


① x14
M-18x70x2432

② x4
M-18x70x1627-F

③ x4
M-18x70x1479-F

④ x1
M-18x70x720



⑩ x244
T-GC-3.5x45

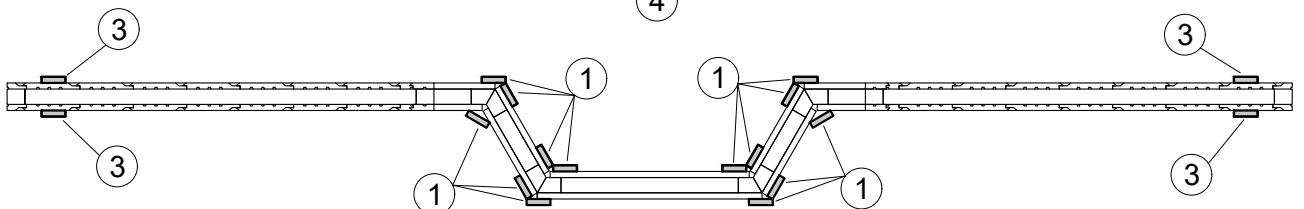
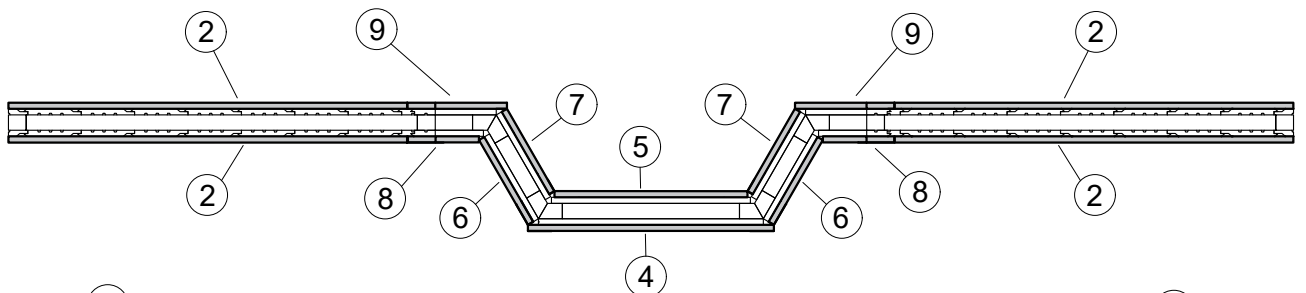
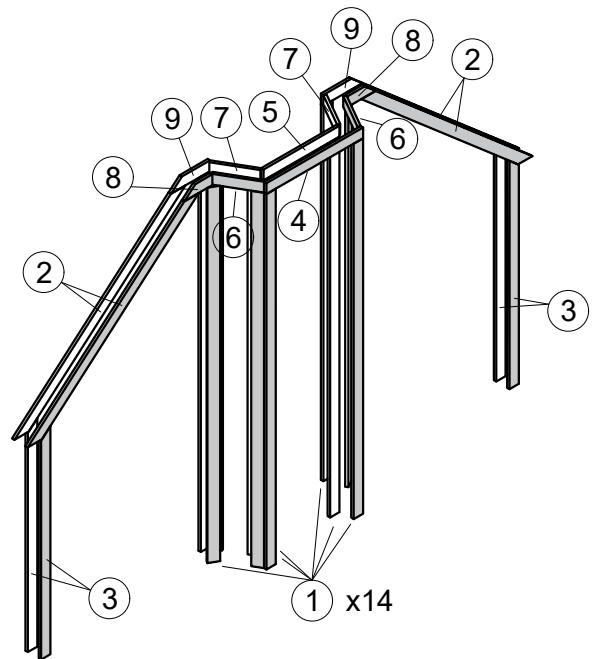
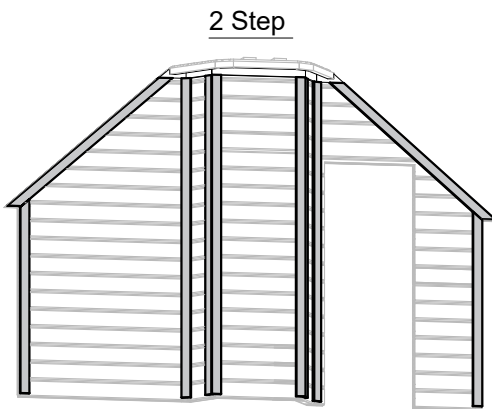
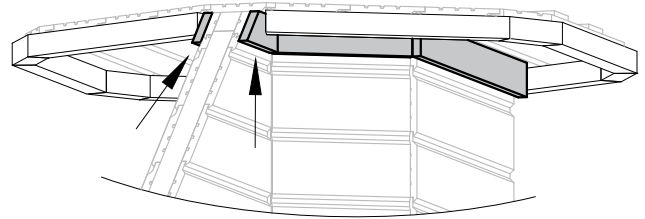
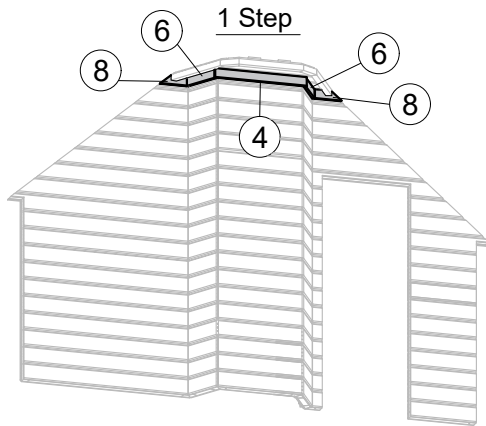
⑤ x1
M-18x70x565

⑥ x2
M-18x70x285

⑦ x2
M-18x70x275

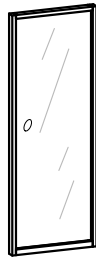
⑧ x2
M-18x70x209-F

⑨ x2
M-18x70x290-F

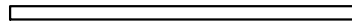


20. Sauna Cabin with changing room 9.2 INSIDE DOOR AND FINISHING BOARD

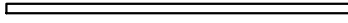
① x1
PUS00233



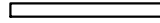
② x3
M-18x70x1840



③ x1
M-18x50x1840



④ x2
M-18x70x810

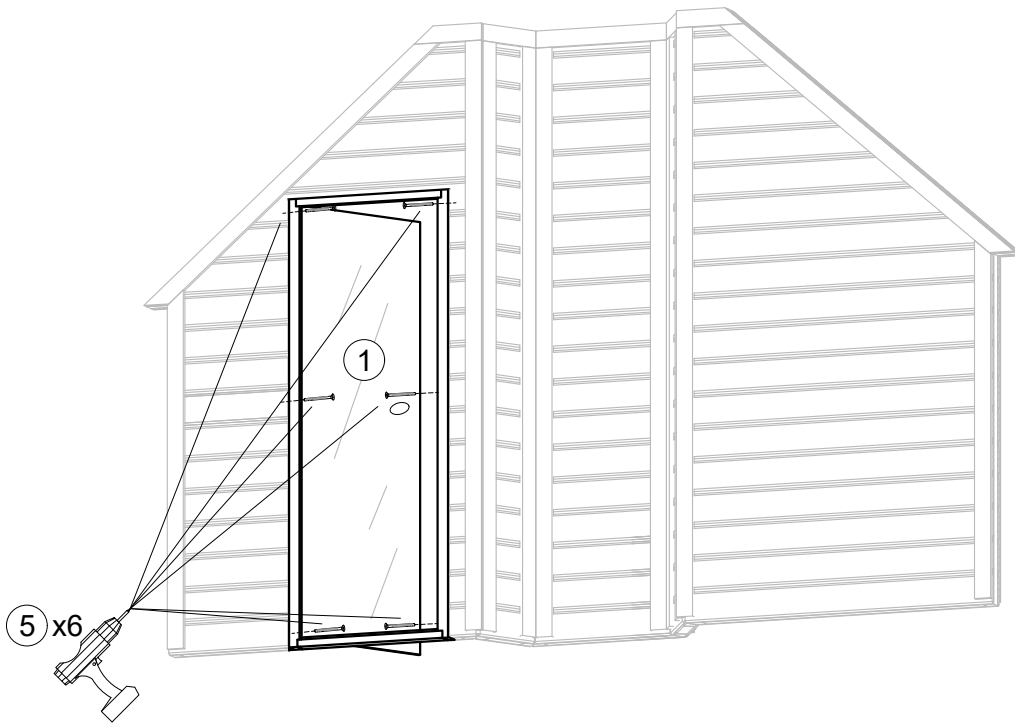


⑤ x6
T-GC-5x100

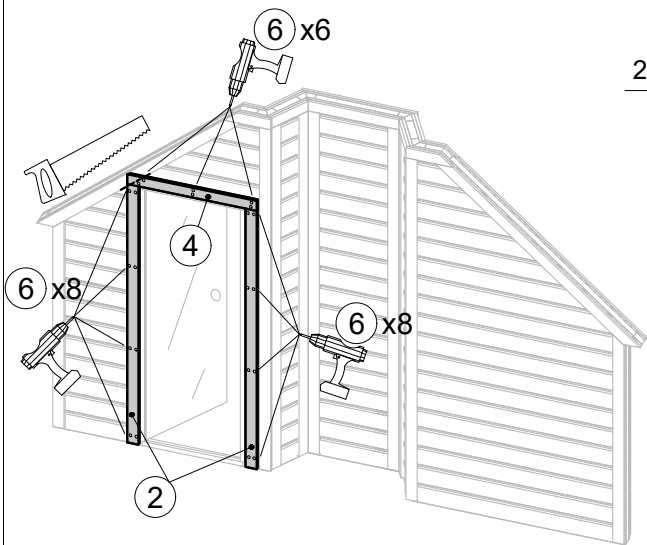


⑥ x48
T-GC-3.5x45

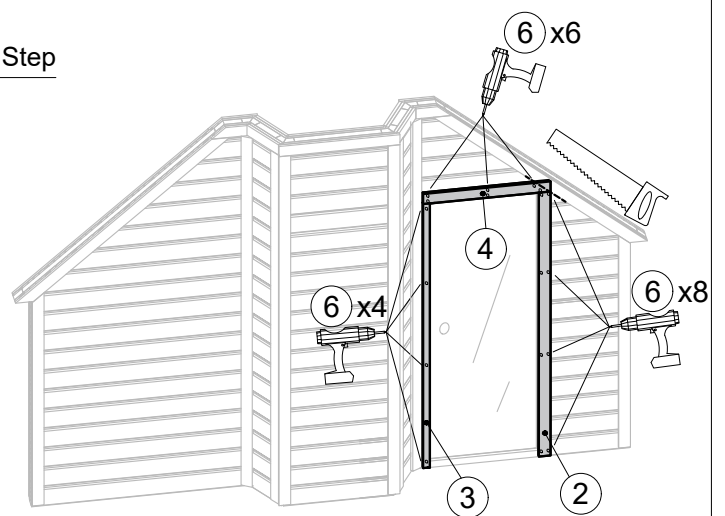
1 Step



2 Step

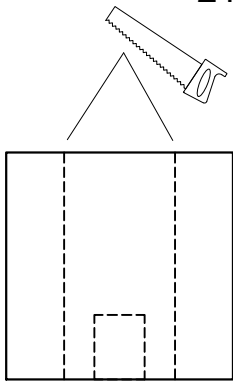


FROM SAUNA SIDE



FROM CHANGING ROOM SIDE

21. Sauna Cabin with changing room 9.2 HEAT- RESISTANT PLATES



① x2

HEAT- RESISTANT PLATE

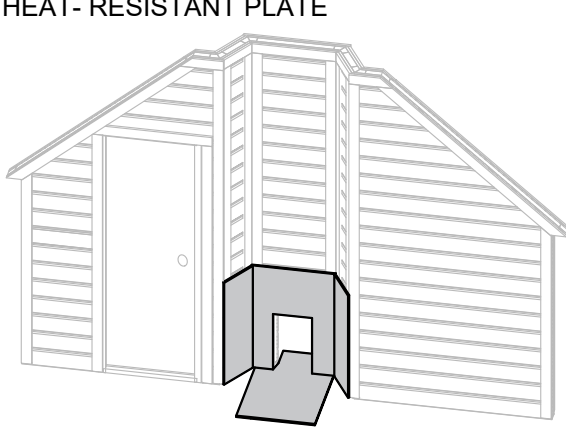


② x24

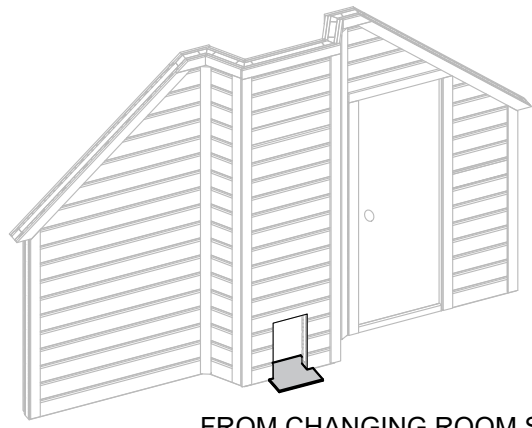
T-GC-3.5x45

ATTENTION

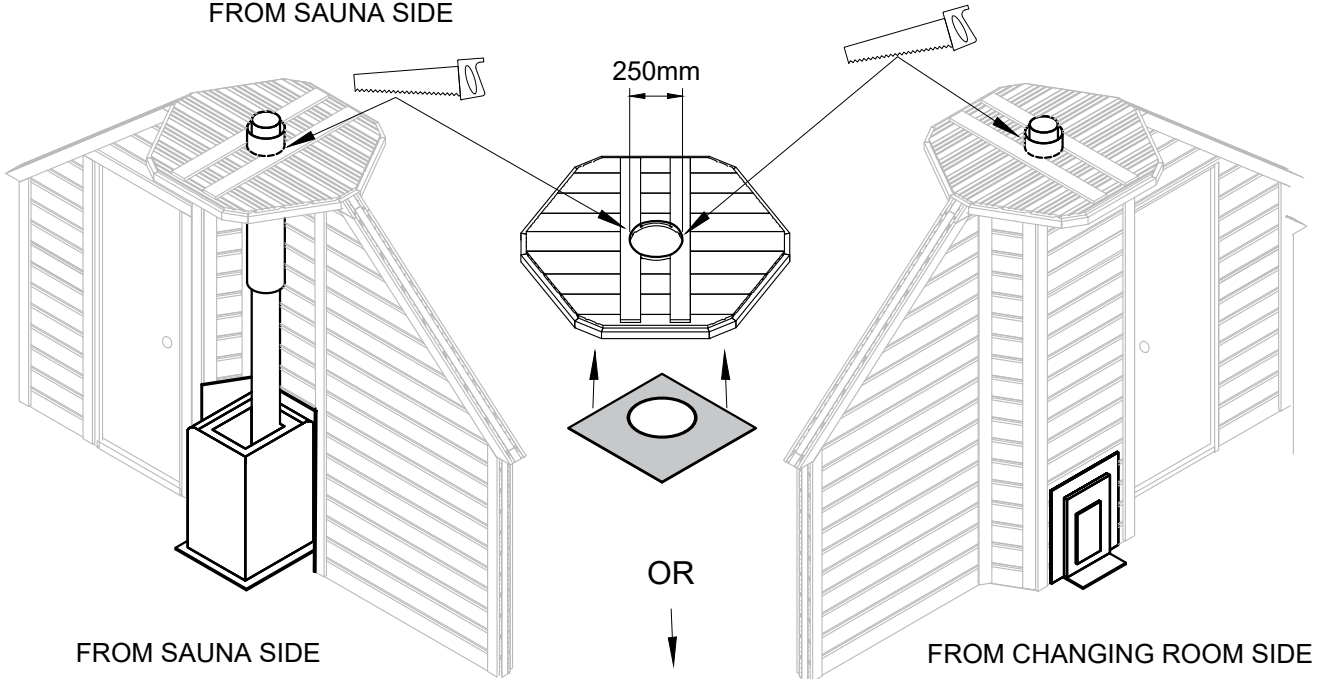
FOLLOW THE MANUFACTURER'S
RECOMENDATIONS WHEN INSTALLING
THE SAUNA HEATER



FROM SAUNA SIDE

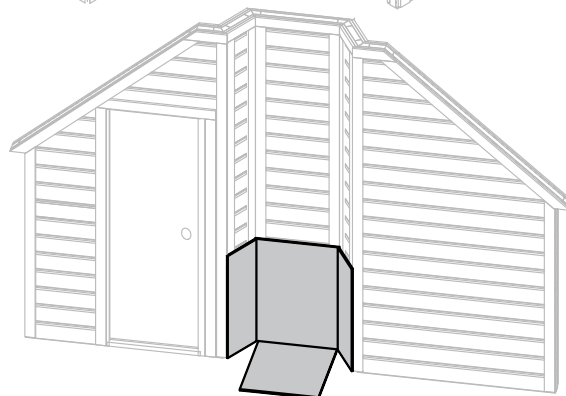


FROM CHANGING ROOM SIDE



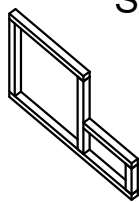
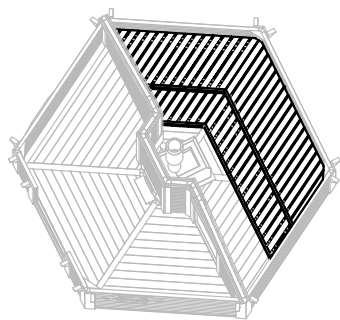
FROM SAUNA SIDE

FROM CHANGING ROOM SIDE



FROM SAUNA SIDE

22. Sauna Cabin with changing room 9.2 SAUNA BENCHES



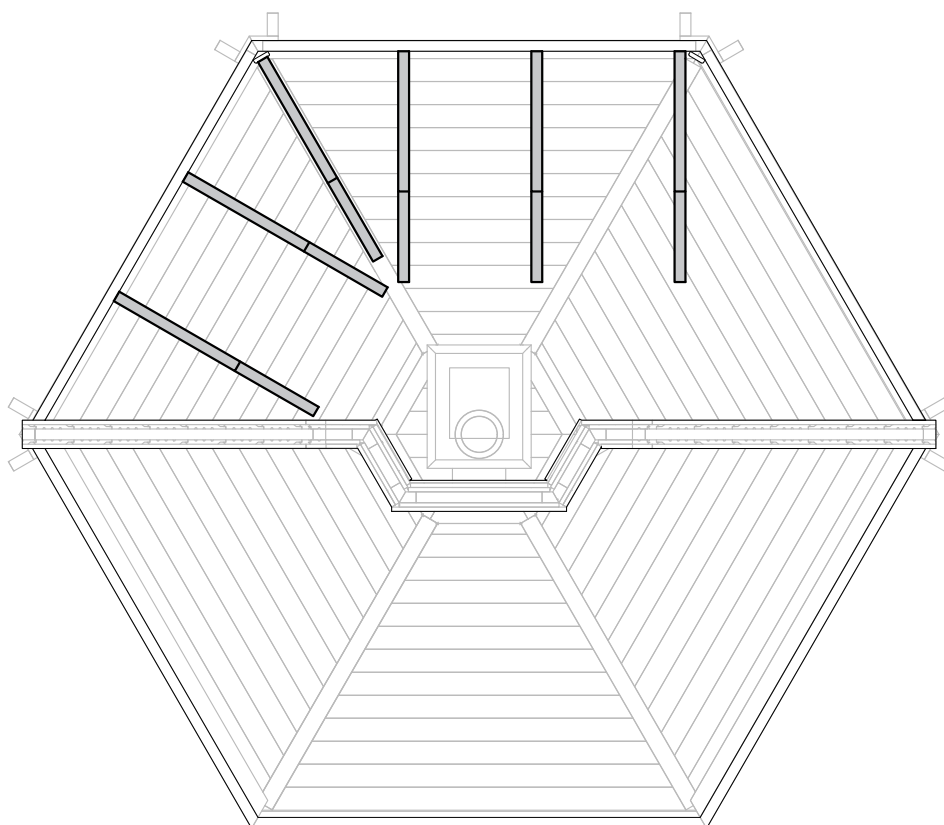
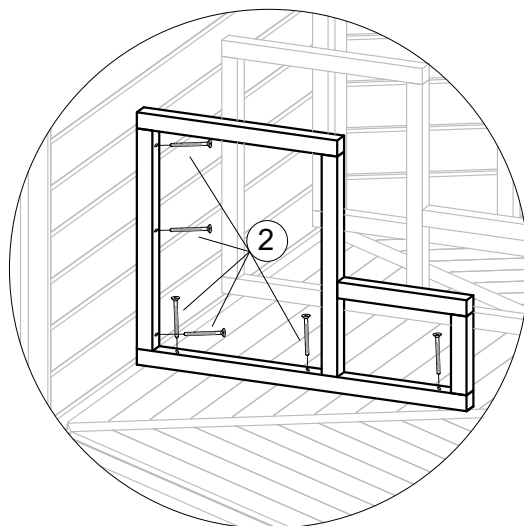
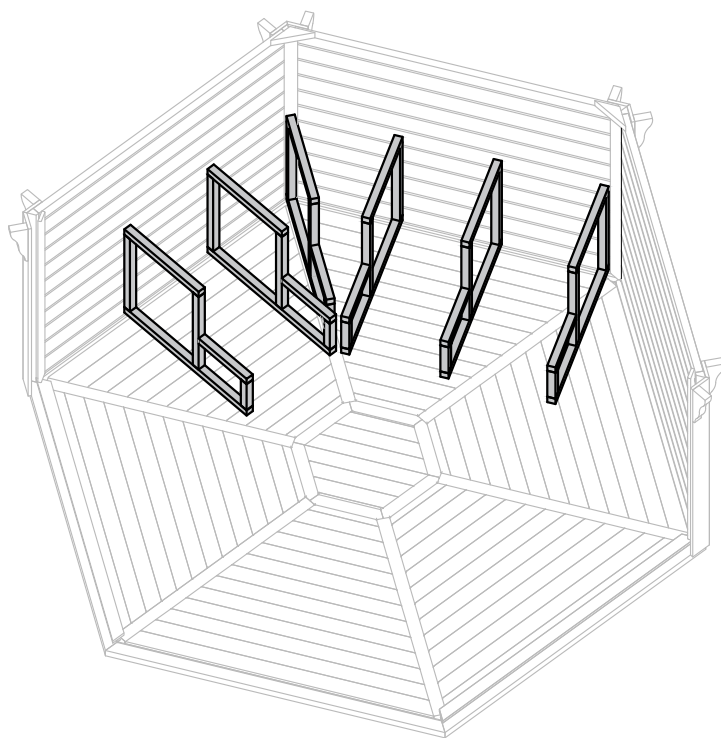
① x6

S-koja-954x705

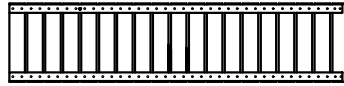
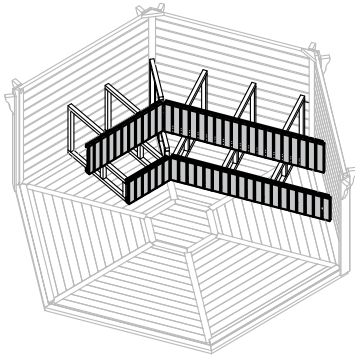


② x36

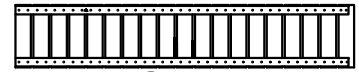
T-GC-6x80



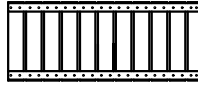
22.1 Sauna Cabin with changing room 9.2 SAUNA BENCHES



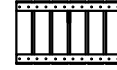
① x1
S9.2-gultas-1792x415



② x1
S9.2-gultas-1792x330



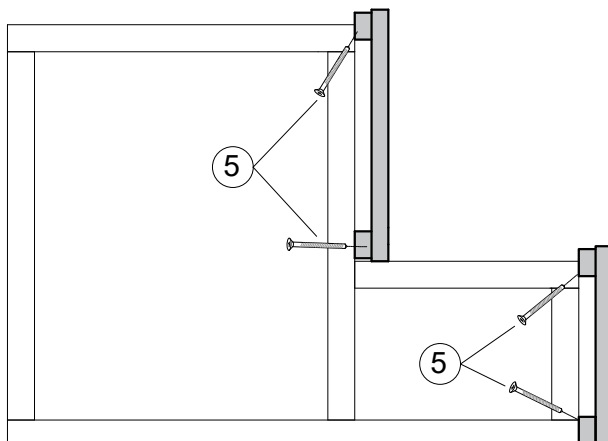
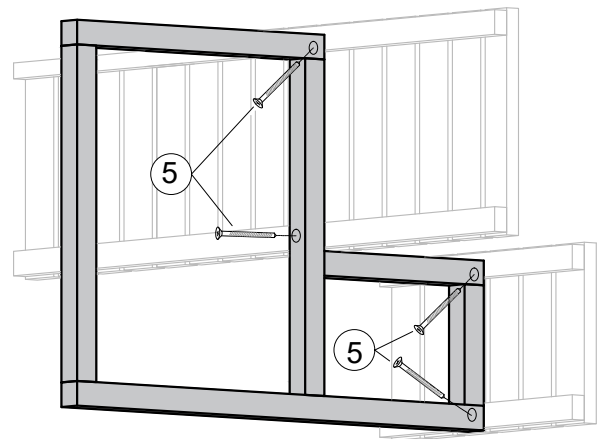
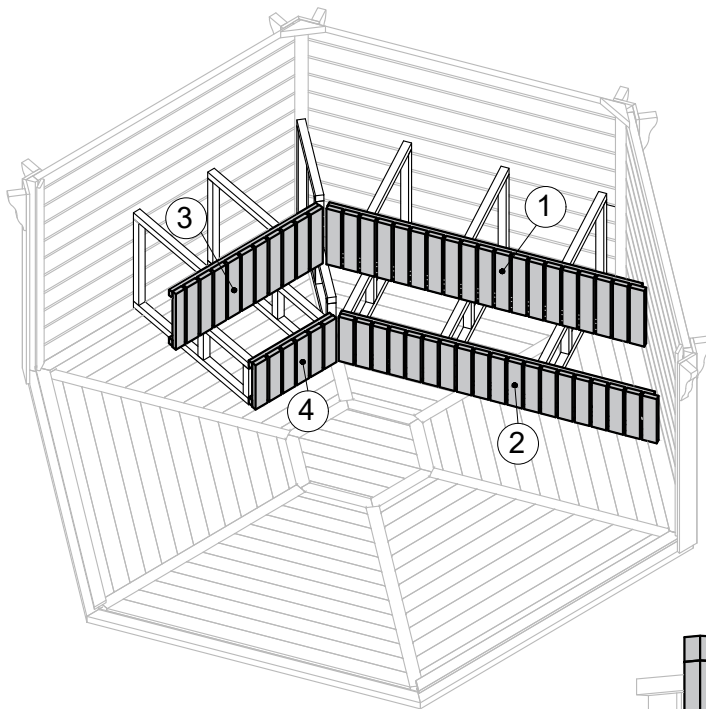
③ x1
S9.2-gultas-1012x415



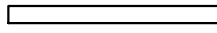
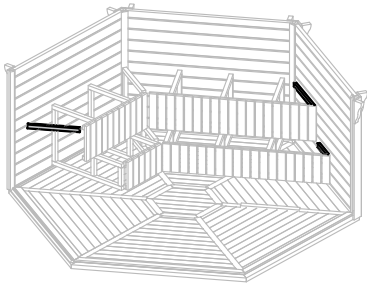
④ x1
S9.2-gultas-557x330



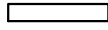
⑤ x24
T-GC-5x80



22.2 Sauna Cabin with changing room 9.2 SAUNA BENCHES



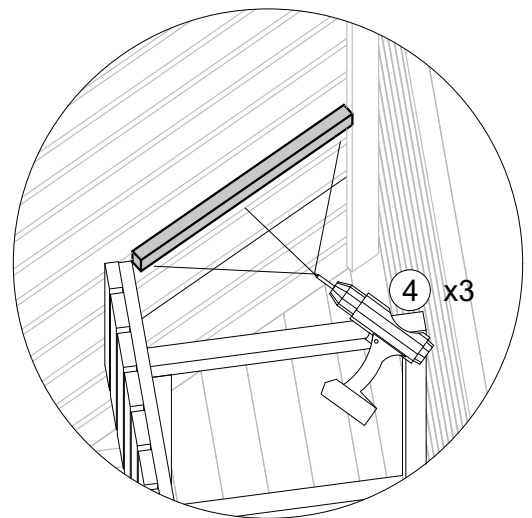
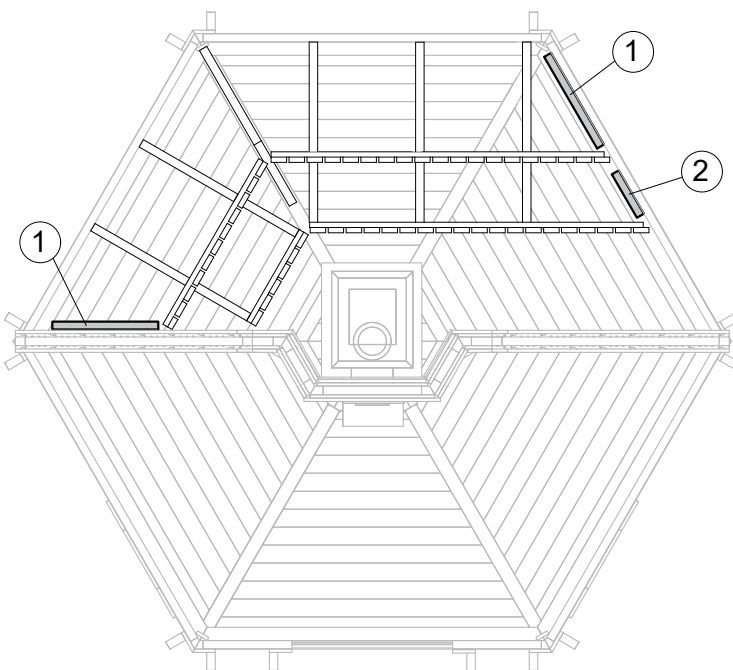
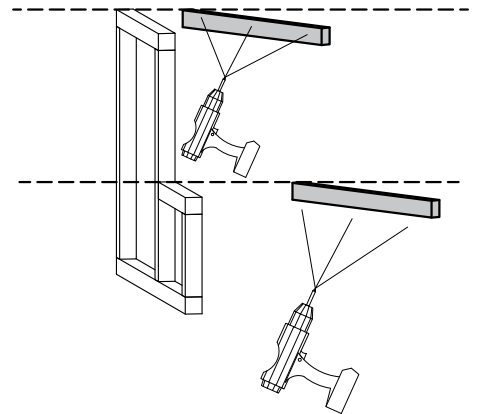
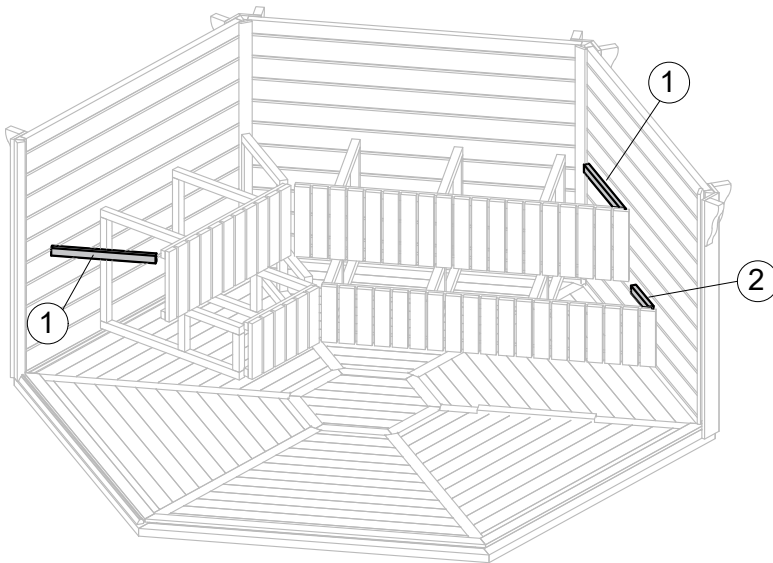
① x2
M-45x45x560



② x1
M-45x45x265

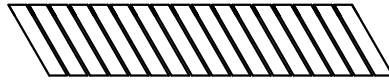
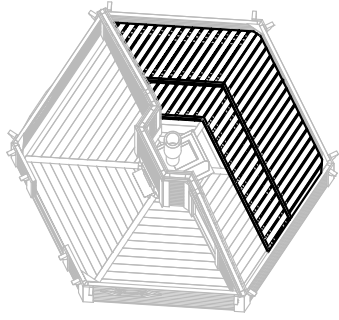


③ x9
T-GC-5x80

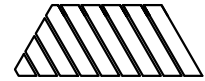


④ x3

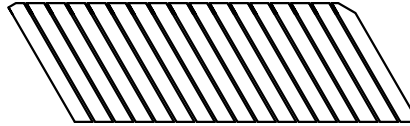
22.3 Sauna Cabin with changing room 9.2 SAUNA BENCHES



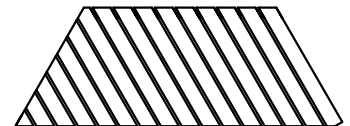
① x1
S9.2-gultas-2034x374



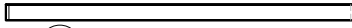
② x1
S9.2-gultas-992x374



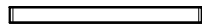
③ x1
S9.2-gultas-2168x628



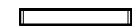
④ x1
S9.2-gultas-1730x628



⑤ x2
Mpl-28x82x1841-F



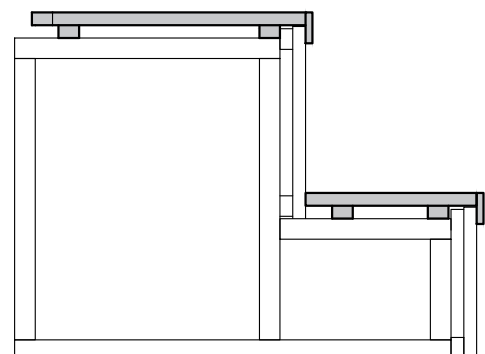
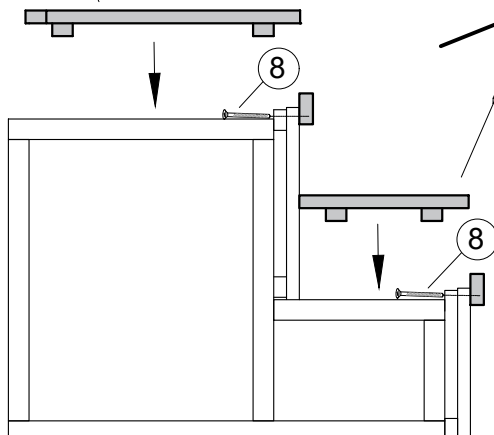
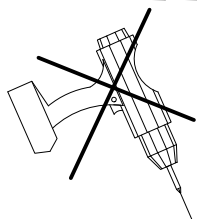
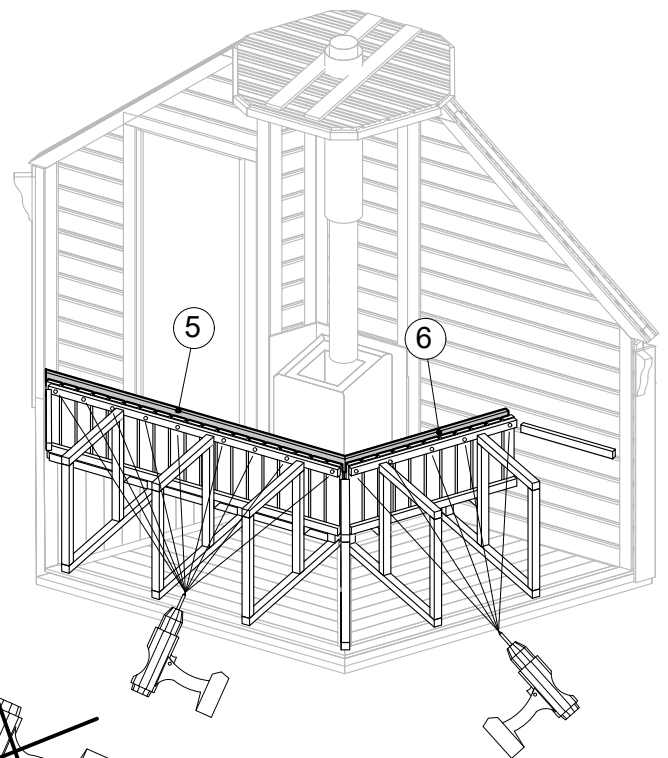
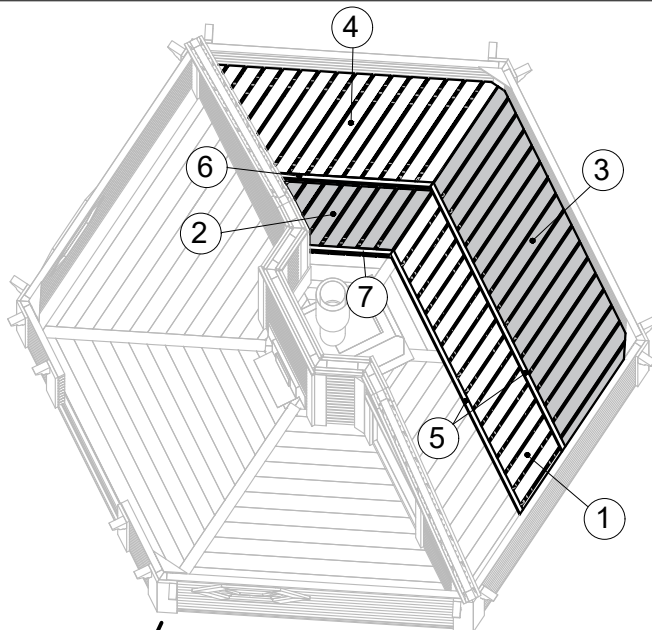
⑥ x1
Mpl-28x82x1016-F



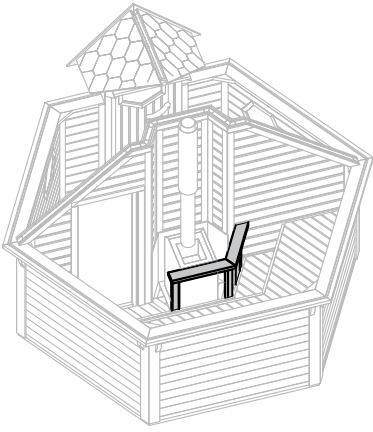
⑦ x1
Mpl-28x82x587-F



⑧ x30
T-GC-5x80



24. Sauna Cabin with changing room 9.2 SAFETY FENCE FOR THE HEATER

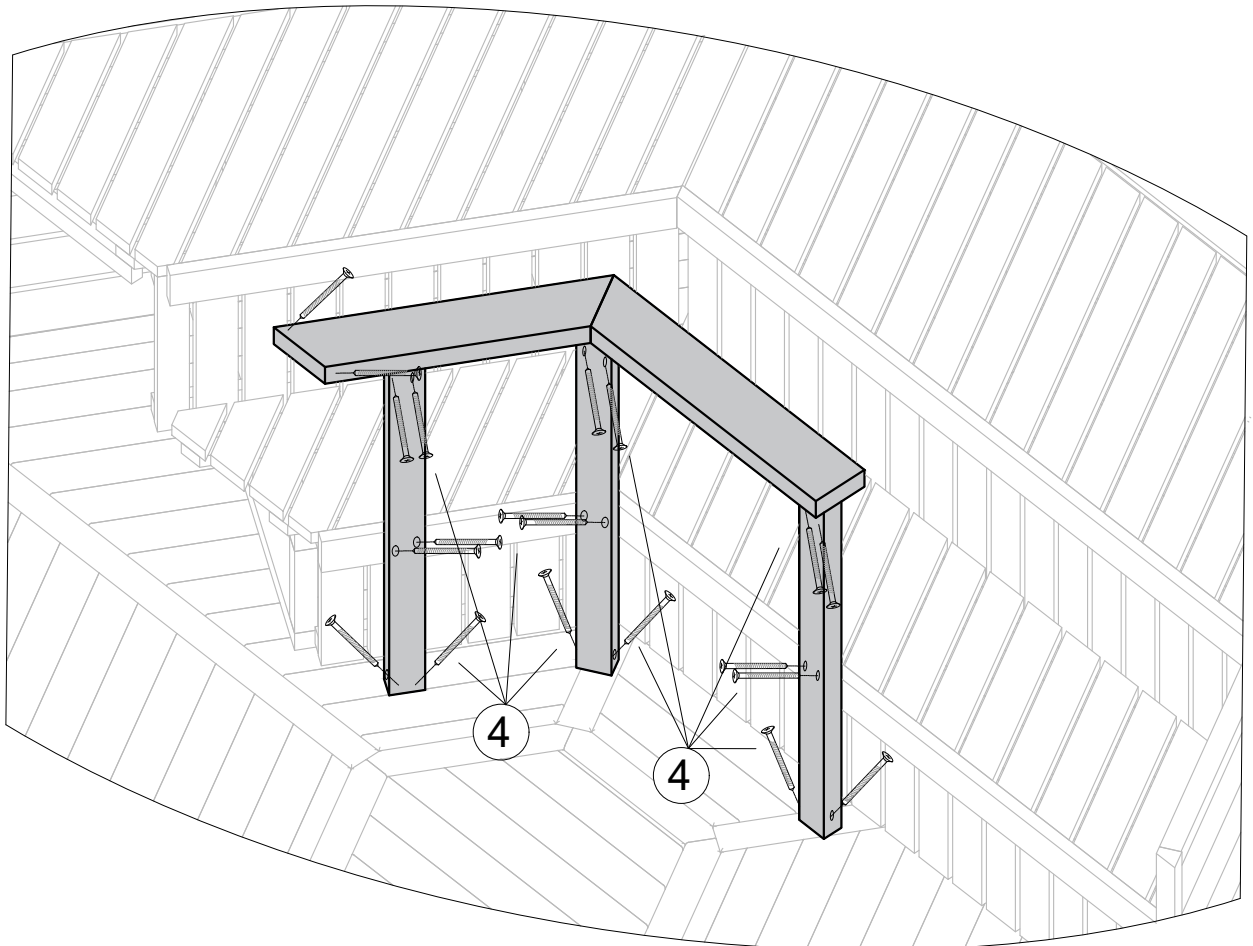
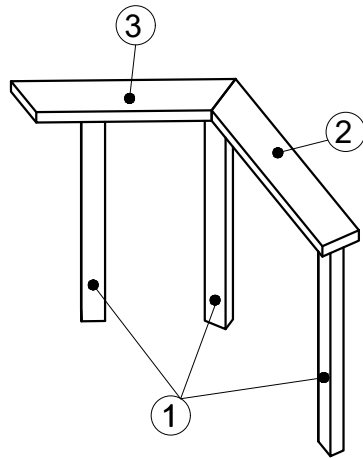


① x3
M-45x70x900

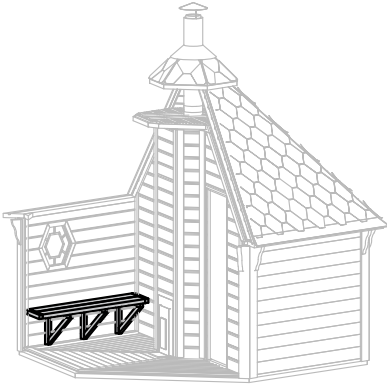
② x1
M-45x120x710-F


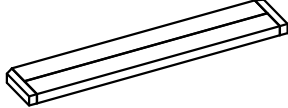
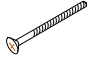
③ x1
M-45x120x630-F

④ x20
T-GC-5x80

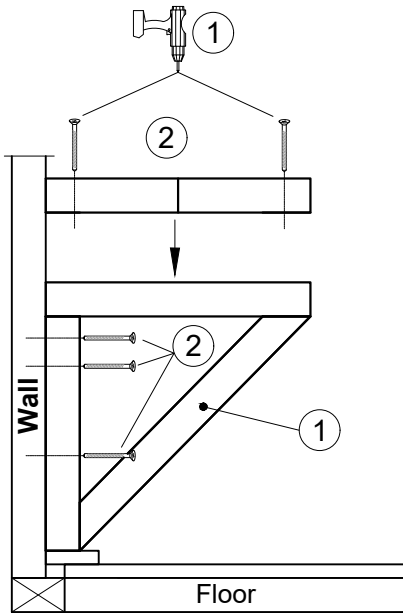


25. Sauna Cabin with changing room 9.2 ASSEMBLY OF BENCHES

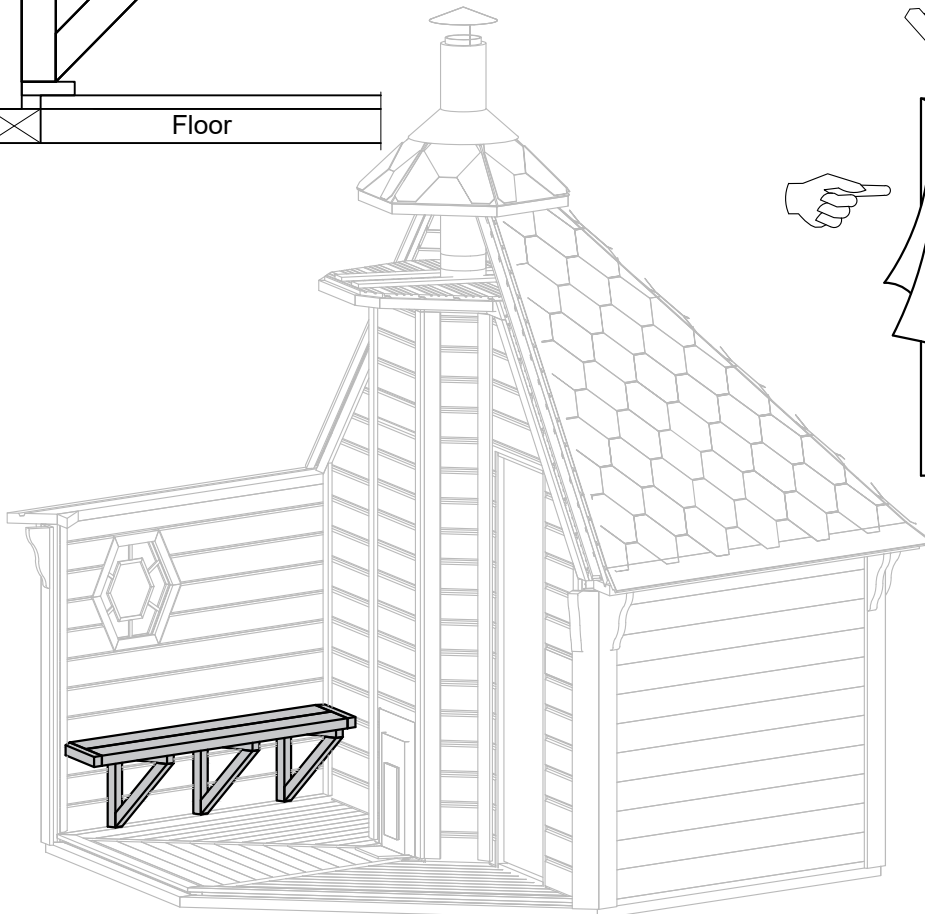
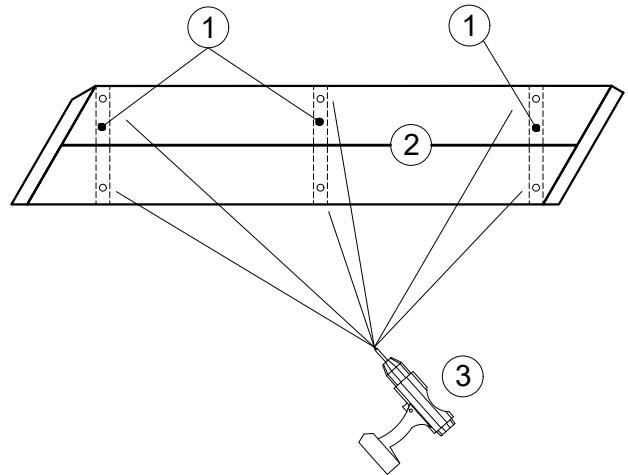


-  ① x3
GR-suolu-kojos
-  ② x1
S9.2-suolas
-  ③ x15
T-GC-6x80

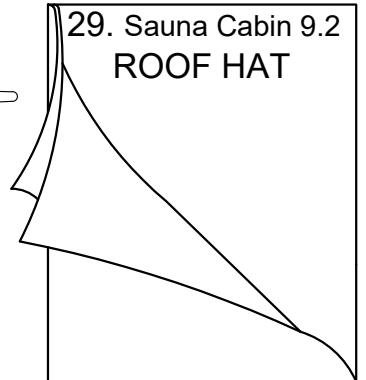
1 Step



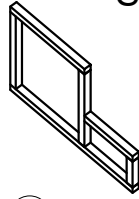
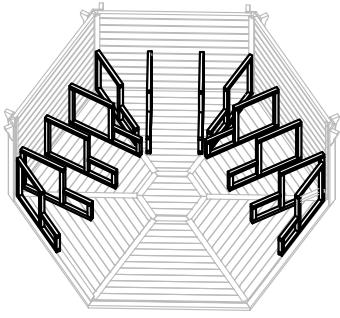
2 Step



29. Sauna Cabin 9.2
ROOF HAT



26. Sauna Cabin 9.2 SAUNA BENCHES

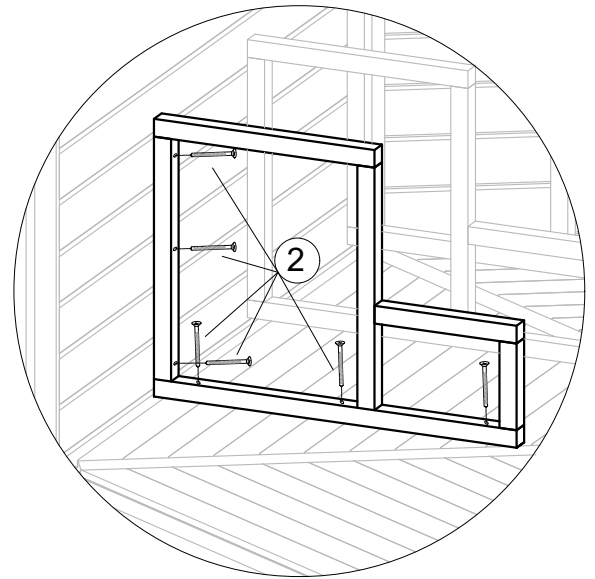
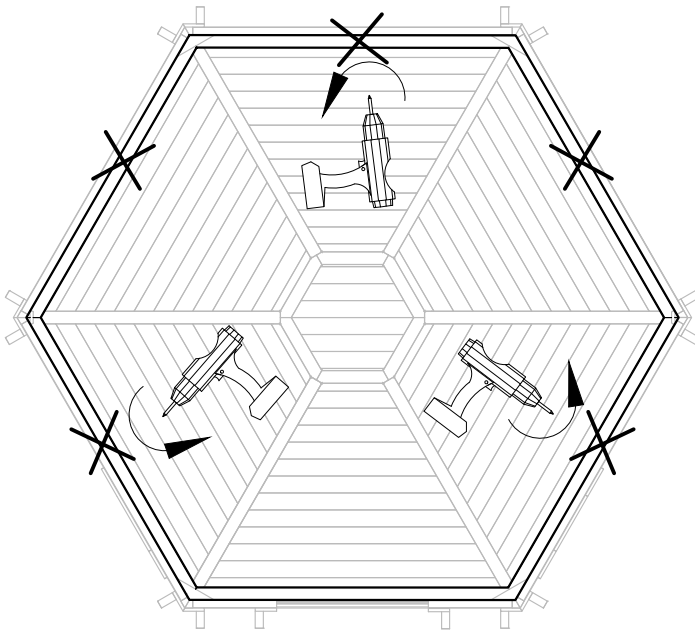


① x12
S-koja-954x705

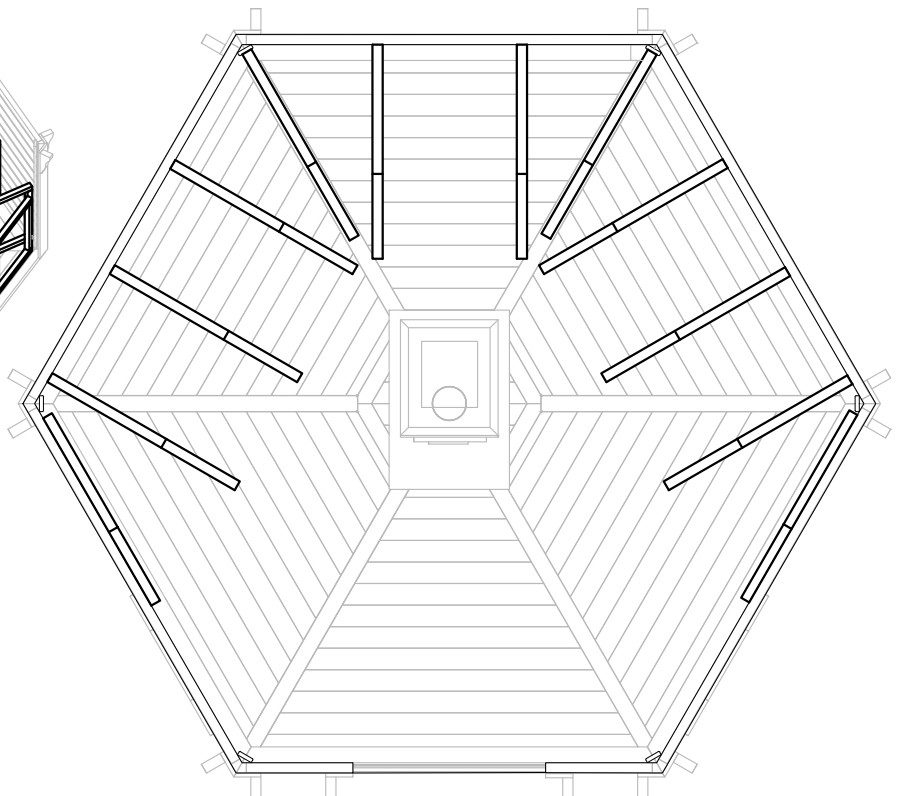
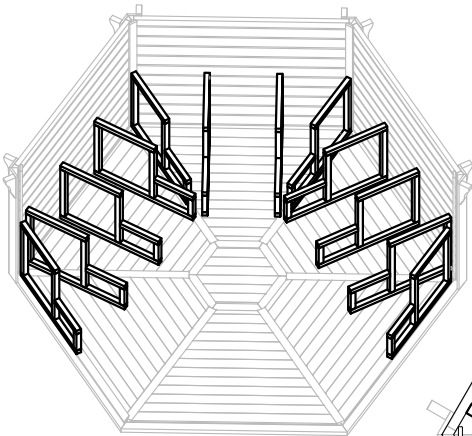


② x72
T-GC-6x80

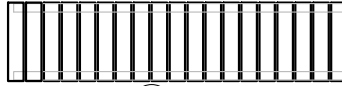
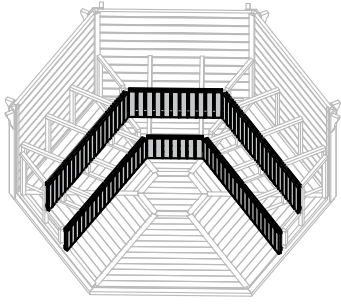
1 Step



2 Step



26.1 Sauna Cabin 9.2 SAUNA BENCHES



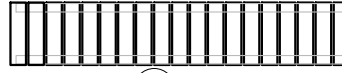
① x1

S9.2-gultas-1792x415-(k)



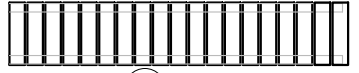
② x1

S9.2-gultas-1792x415-(d)



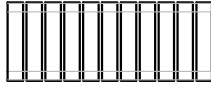
③ x1

S9.2-gultas-1792x330-(k)



④ x1

S9.2-gultas-1792x330-(d)



⑤ x1

S9.2-gultas-1792x330-(d)



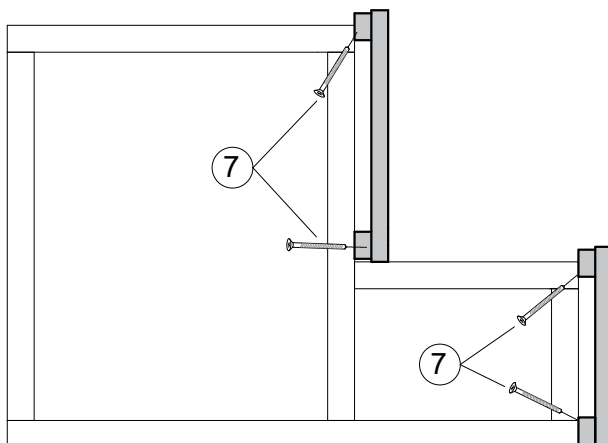
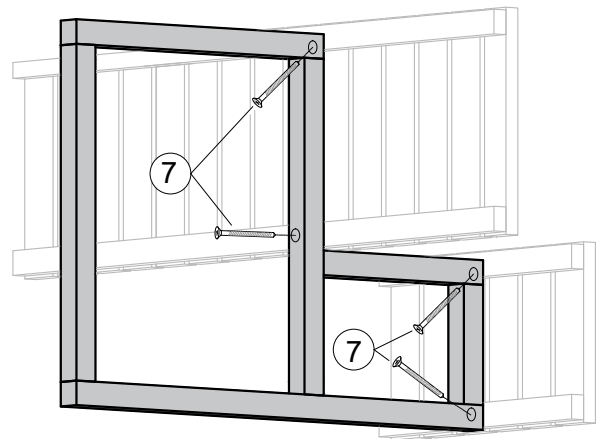
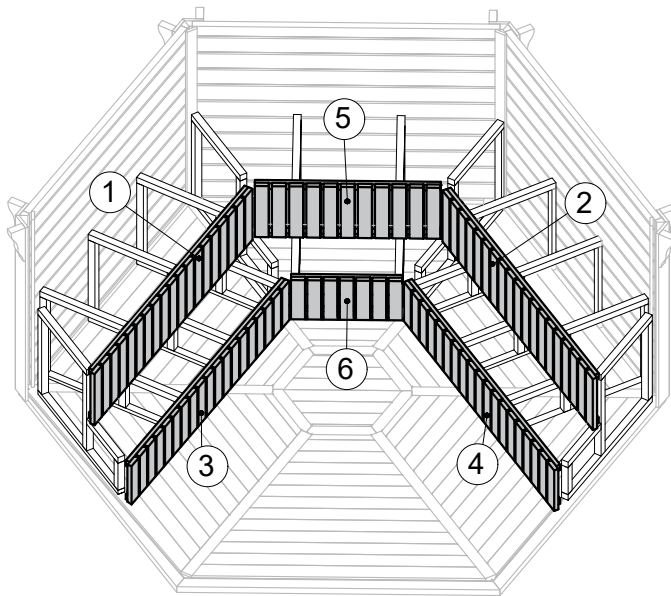
⑥ x1

S9.2-gultas-1792x330-(d)

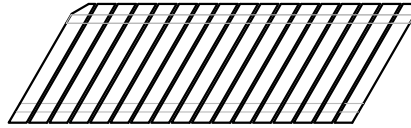
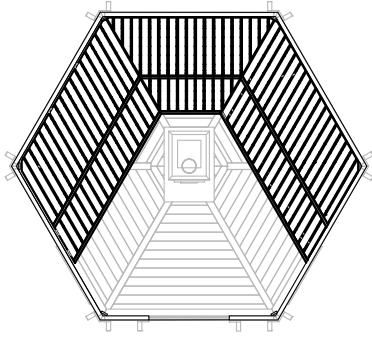


⑦ x24

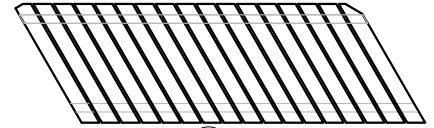
T-GC-5x80



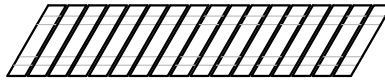
26.2 Sauna Cabin 9.2 SAUNA BENCHES



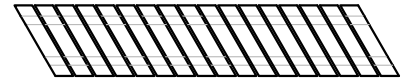
① x1
S9.2-gultas-2168x628-(k)



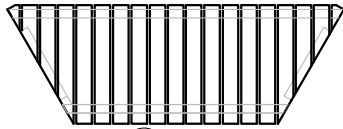
② x1
S9.2-gultas-2168x628-(d)



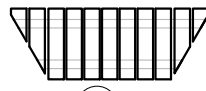
③ x1
S9.2-gultas-2034x374-(k)



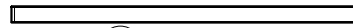
④ x1
S9.2-gultas-2034x374-(d)



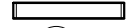
⑤ x1
S9.2-gultas-1780x628



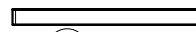
⑥ x1
S9.2-gultas-1081x415



⑦ x4
Mpl-28x82x1841-F



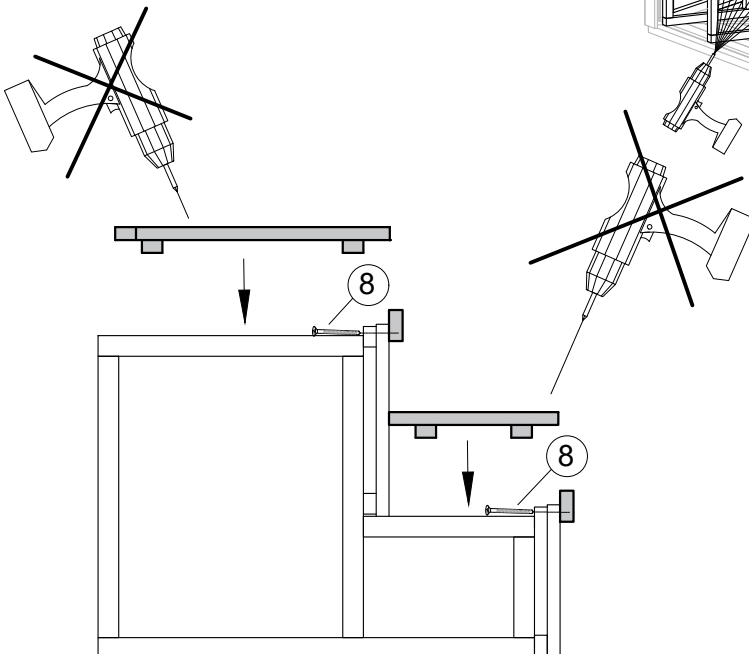
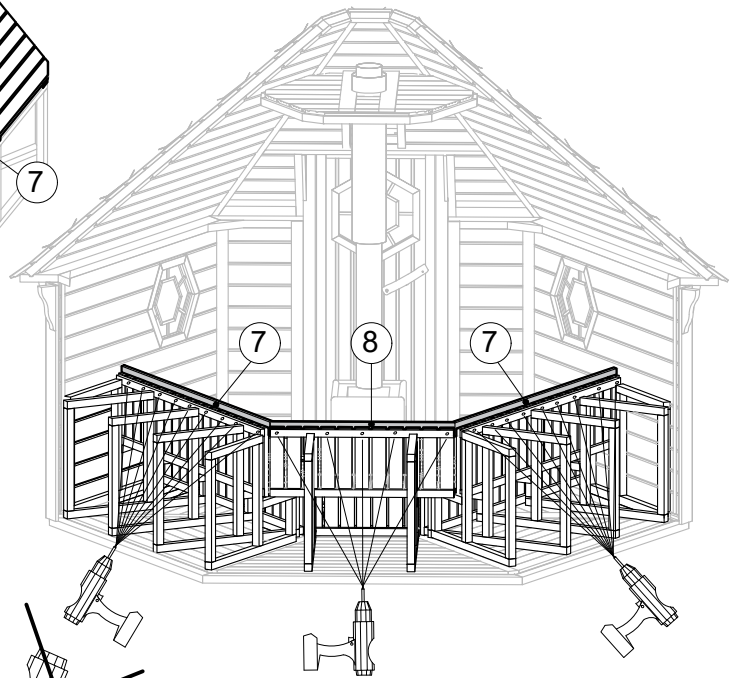
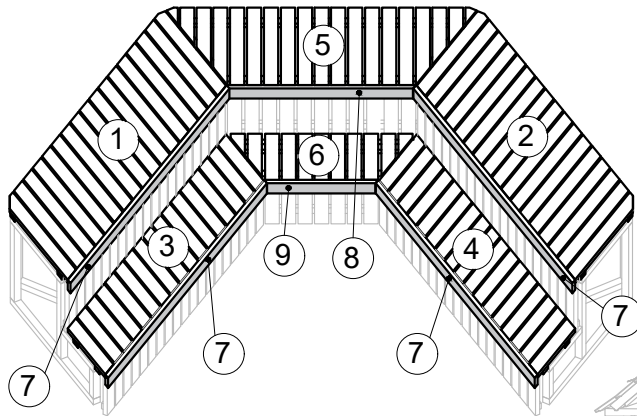
⑨ x1
Mpl-28x82x654-F



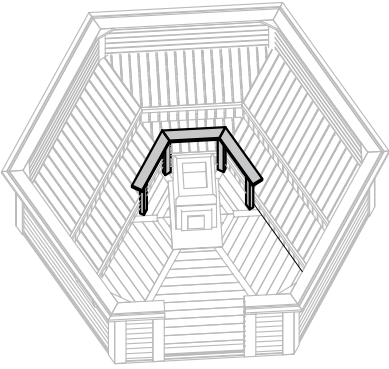
⑧ x1
Mpl-28x82x1086-F



⑩ x50
T-GC-5x80



27. Sauna Cabin 9.2 SAFETY FENCE FOR THE HEATER

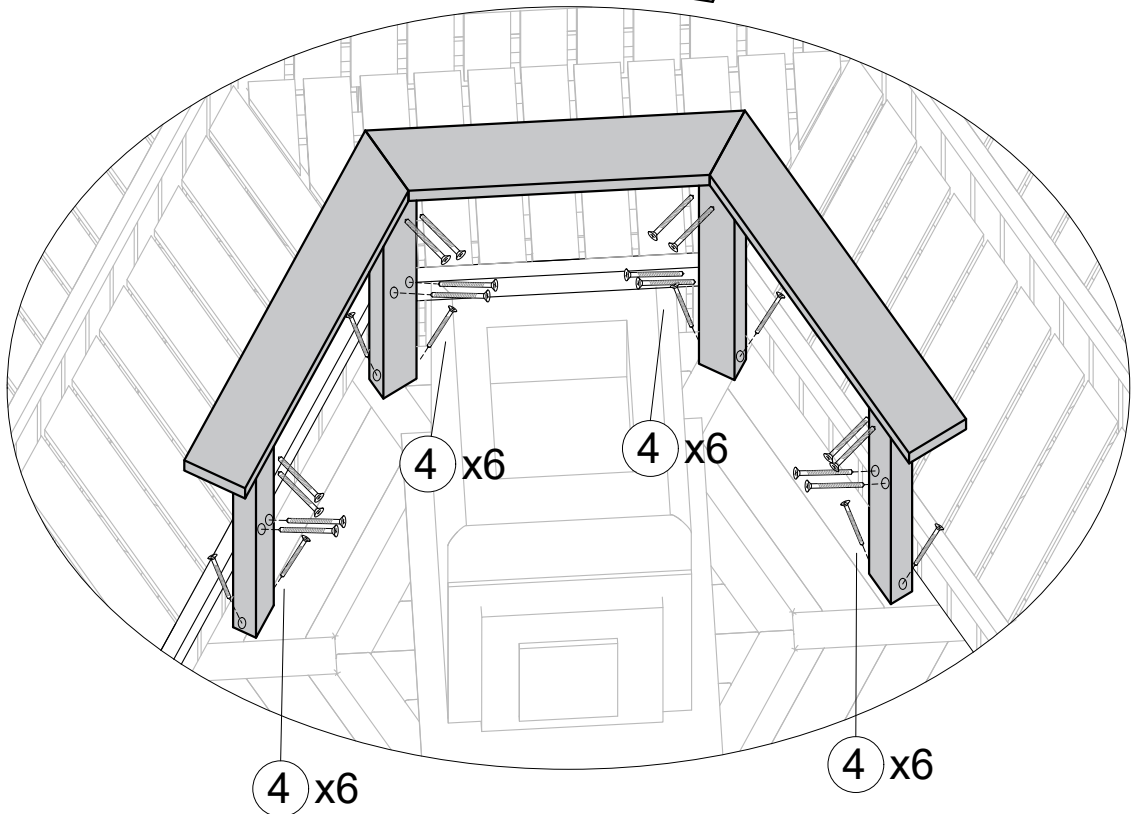
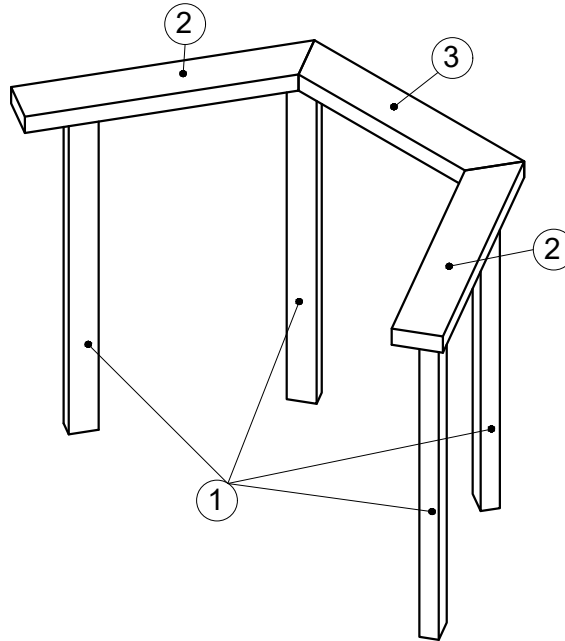


① x4
M-45x70x900

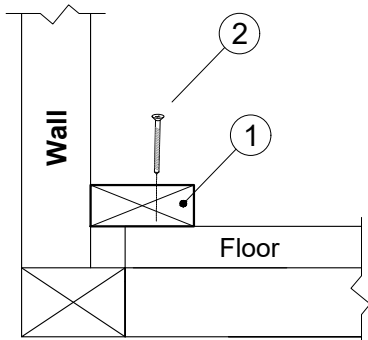
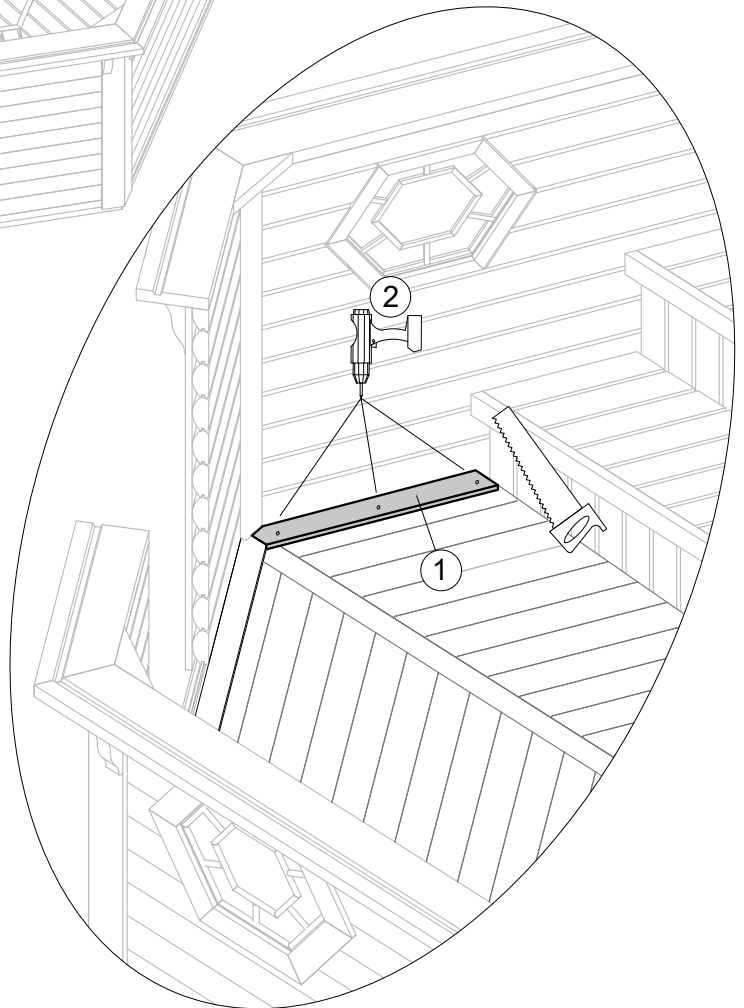
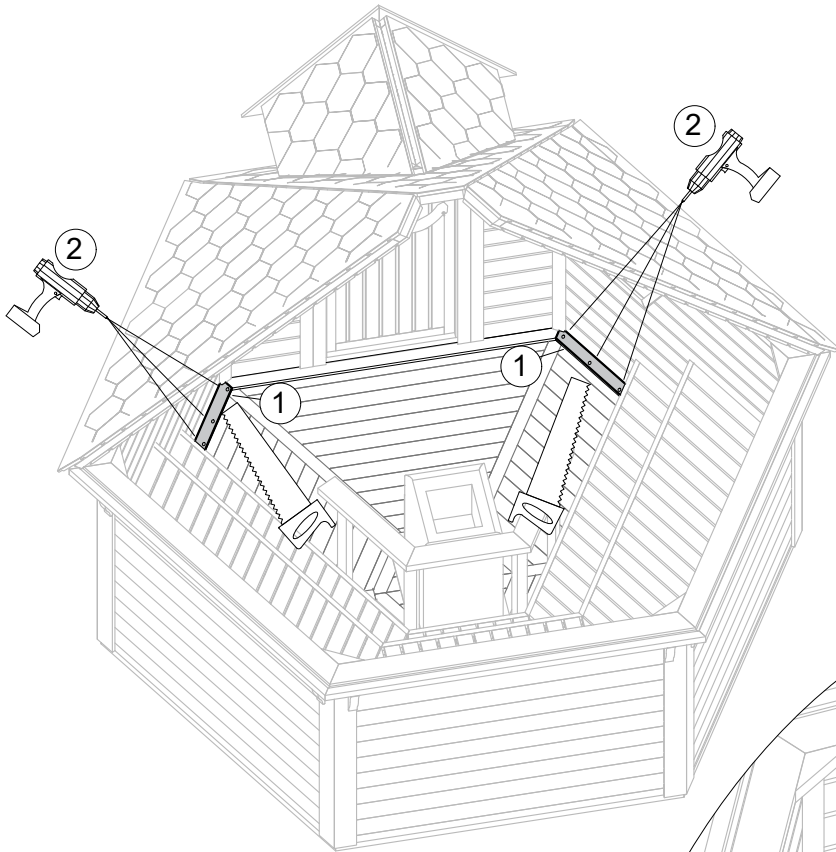
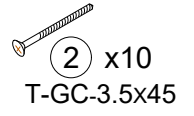
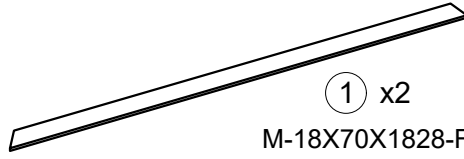
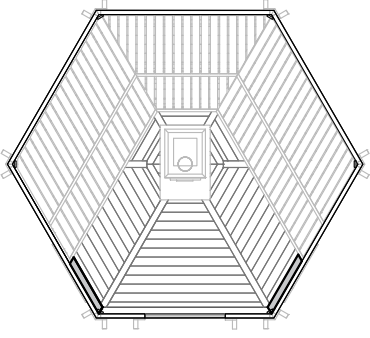
② x2
M-45x120x710-F

③ x1
M-45x120x670-F

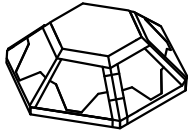
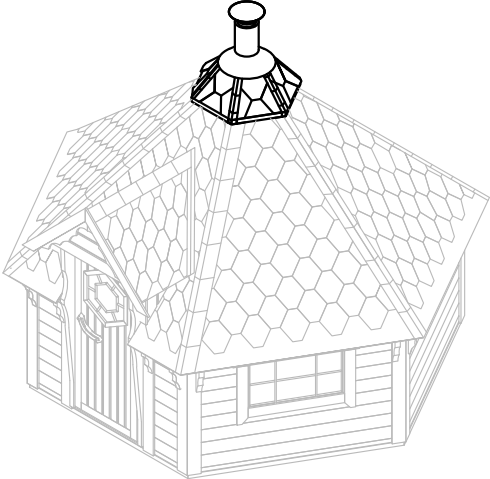
④ x20
T-GC-5x80



28. Sauna Cabin 9.2 INSIDE FINISHING BOARD



29. Sauna Cabin 9.2 ROOF HAT



① x1

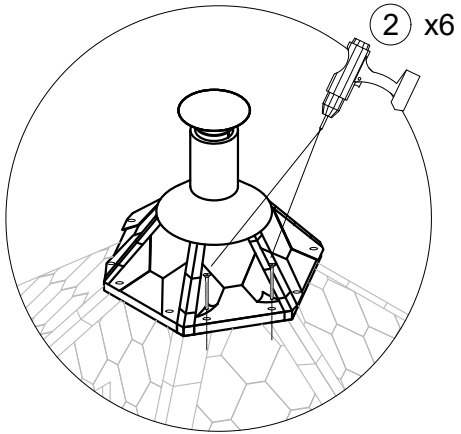
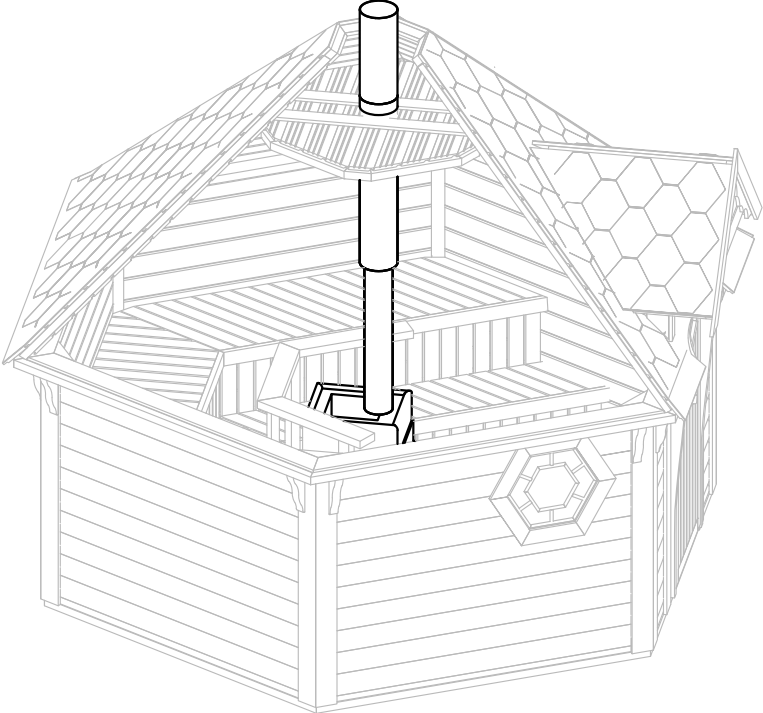
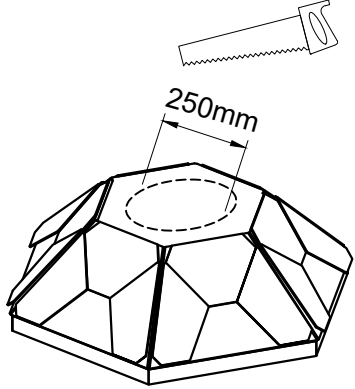
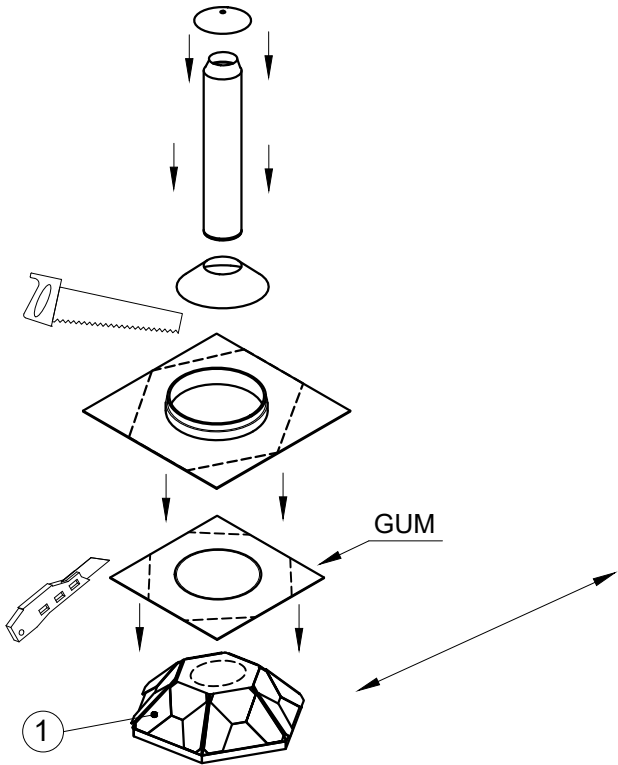
GR6k-Kepure



② x6

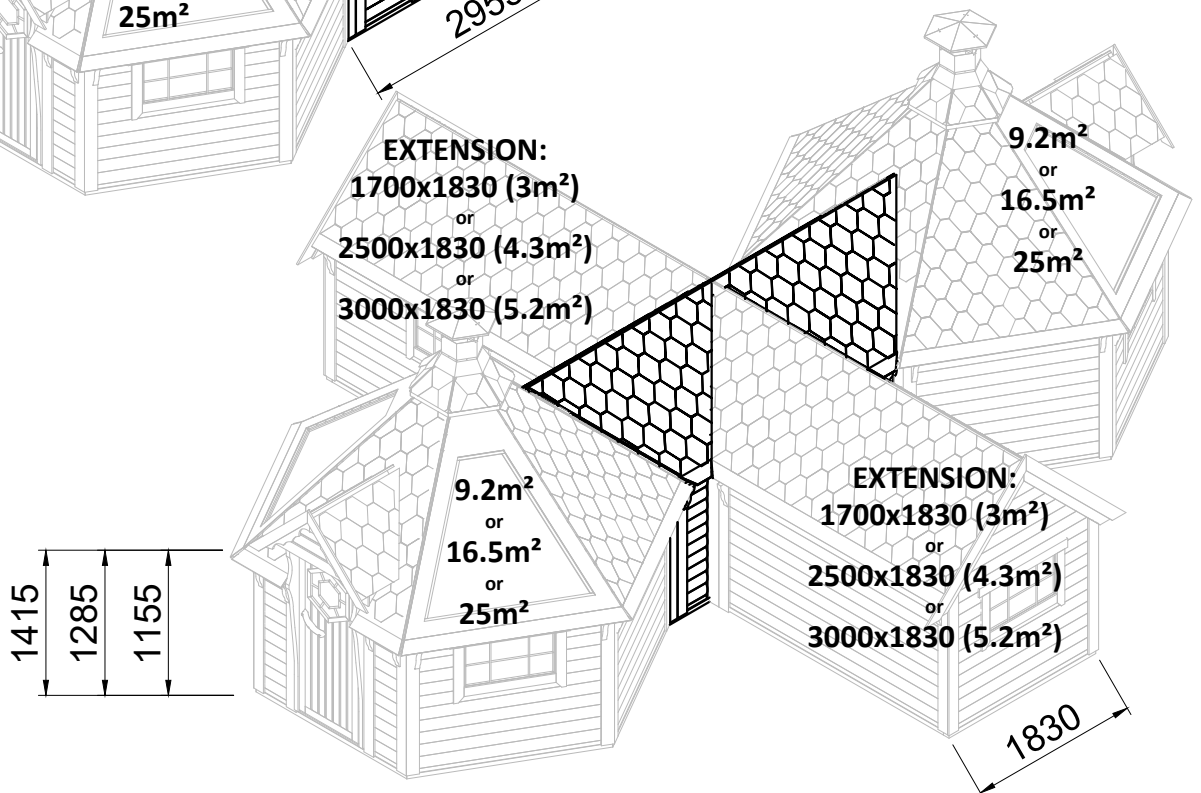
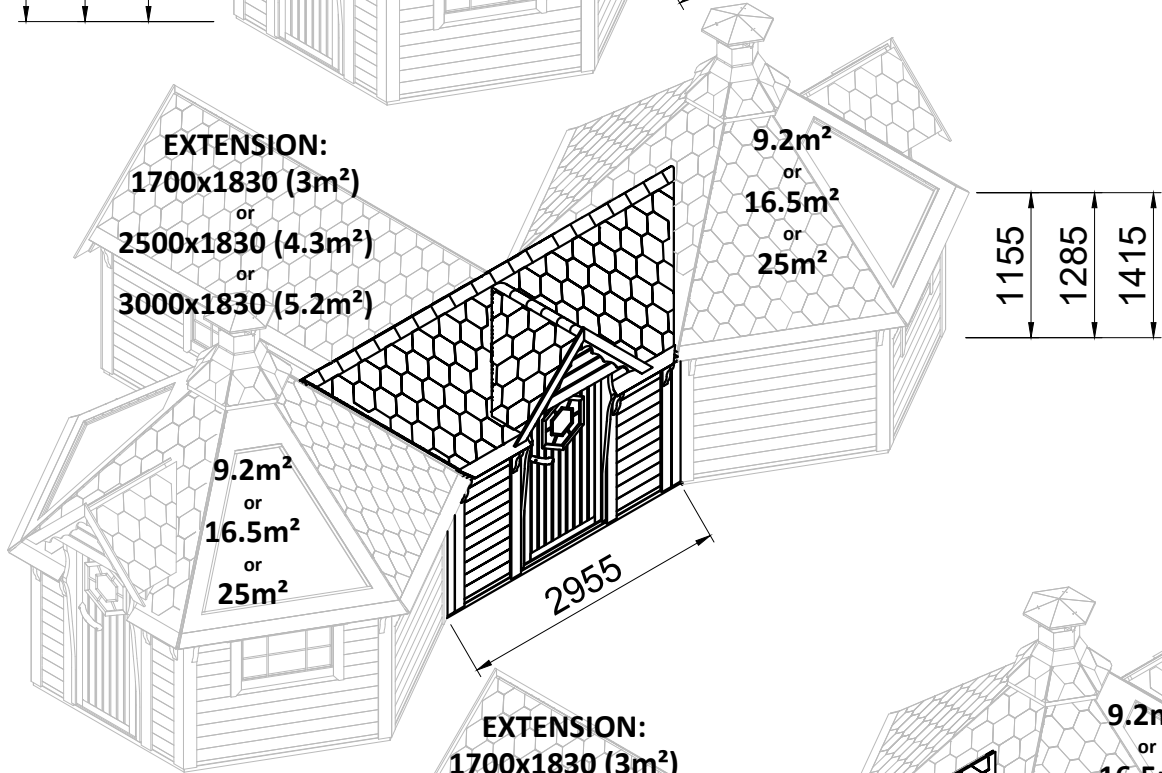
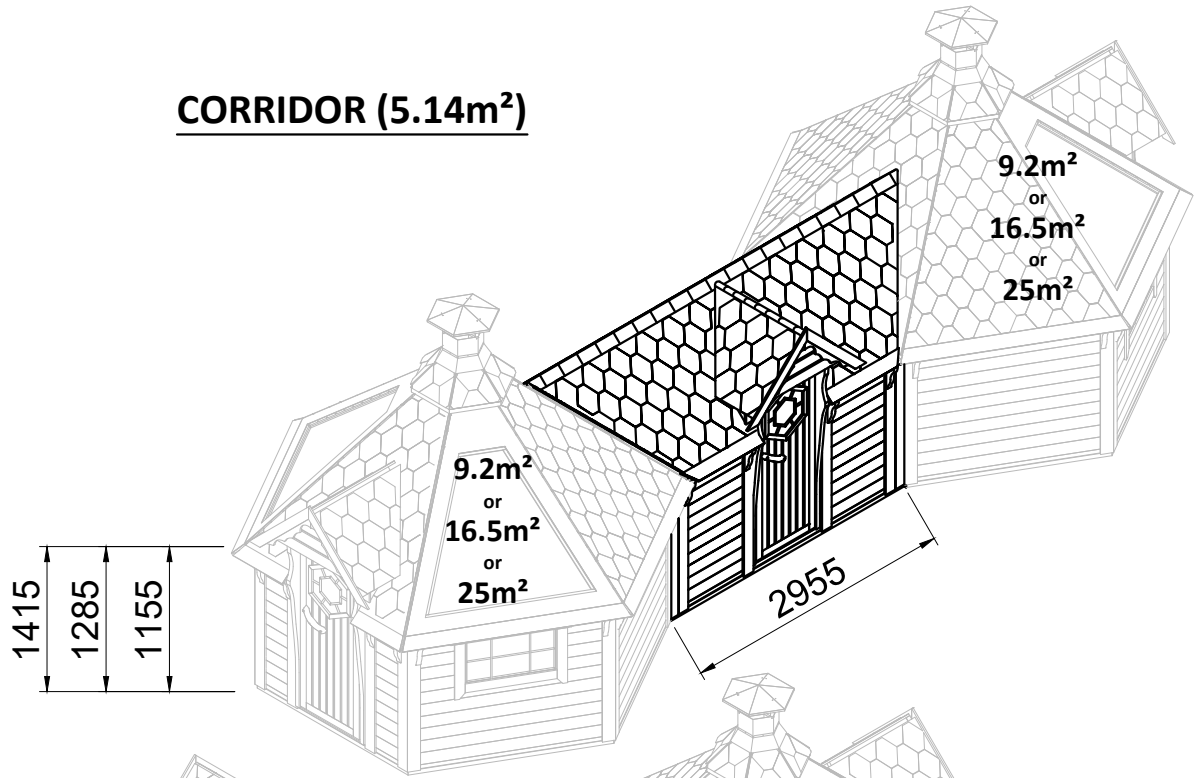
T-GC-4x70

GR6k-Kepures-dangtis



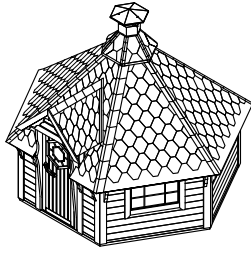


CORRIDOR (5.14m²)

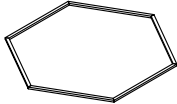


Stages of assembly

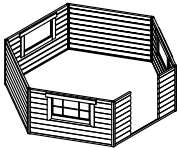
Grill



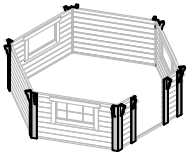
1. Step:
wood ring



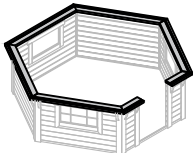
2. Step:
walls



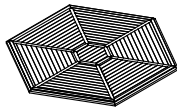
3. Step:
decoration (support)



4. Step:
roof support ring



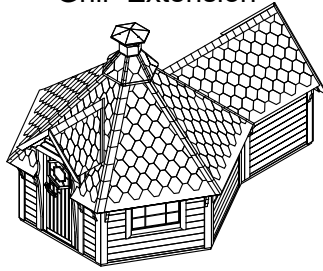
5. Step:
floors



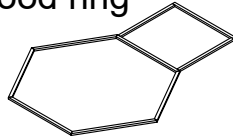
6. Step:
roof



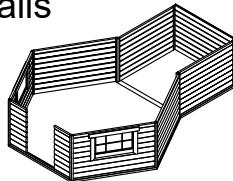
Grill+Extension



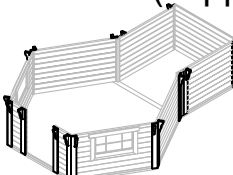
1. Step:
wood ring



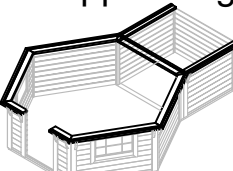
2. Step:
walls



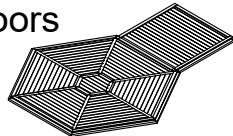
3. Step:
decoration (support)



4. Step:
roof support ring



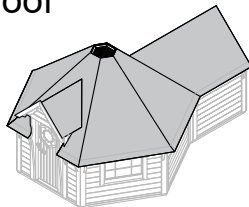
5. Step:
floors



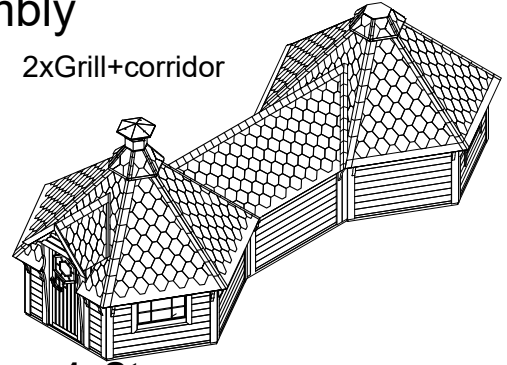
6. Step:
inside wall



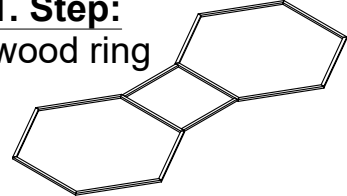
7. Step:
roof



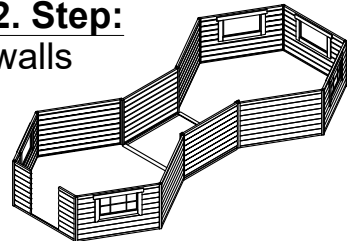
2xGrill+corridor



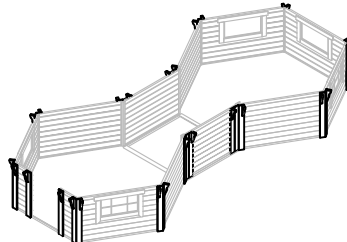
1. Step:
wood ring



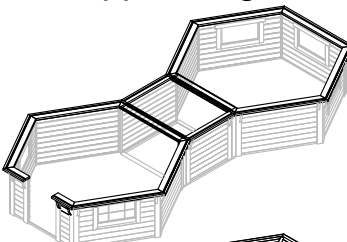
2. Step:
walls



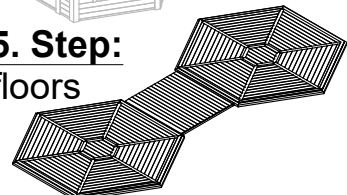
3. Step:
decoration (support)



4. Step:
roof support ring



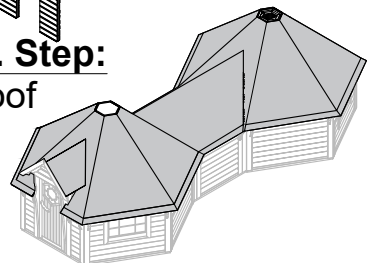
5. Step:
floors



6. Step:
inside wall



7. Step:
roof



Corridor Foundation

It is very important to have a proper foundation.

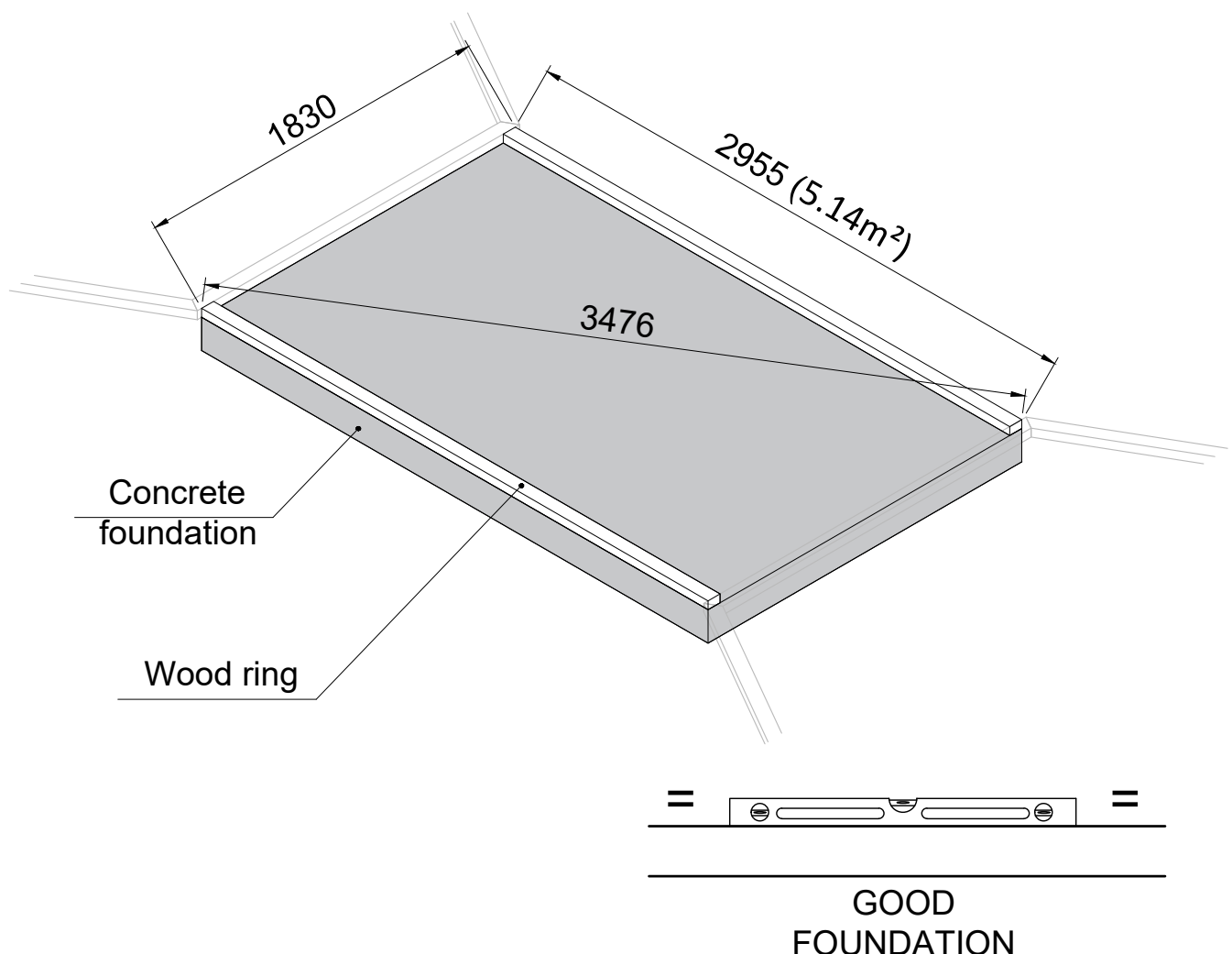
Therefore we recommend making the foundation according to the sketches here. First of all, foundation must be prepared according to the landscape and ground conditions.

The foundation under the product must be prepared specially, it must be homogeneous, tight and equal. It must be ensured that it will not change its properties. We recommend using concrete foundation. Before installation of product, we recommend to make hydro isolation of foundation.

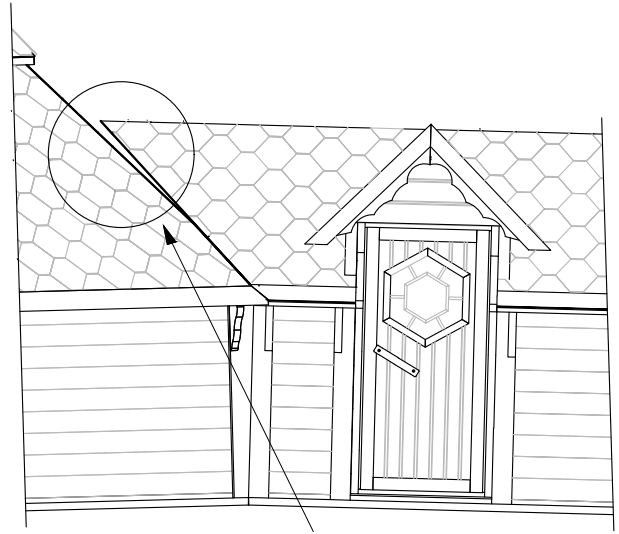
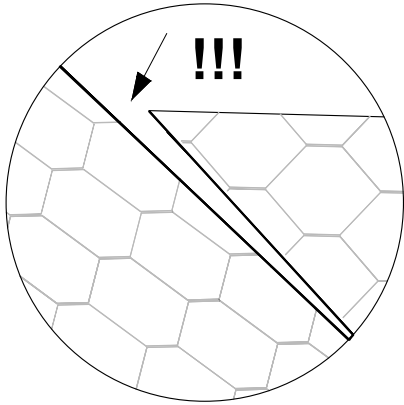
Consult a local qualified builder or an engineer to prepare a proper foundation, which fits to your location.

Due to improper foundation, cracks in the structures may occur. Due to uneven product seating, the geometric shape of the product may change, which can result in door / window twist, or/and gap may appear. And in the worst case product 's collapse.

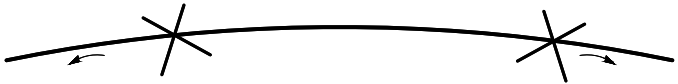
If you do not follow recommendation, product will lose its warranty.



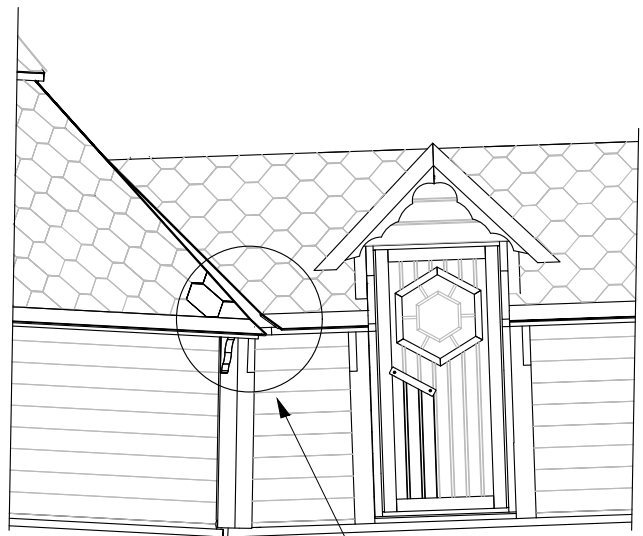
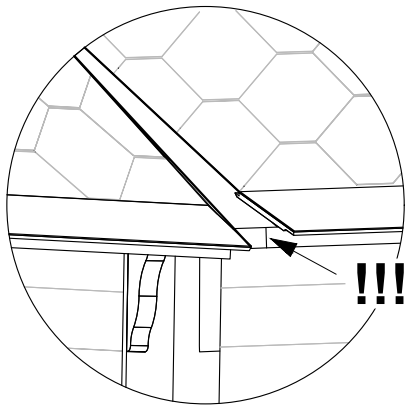
ATTENTION !!!



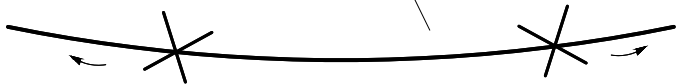
BAD
foundation →



GOOD
foundation →



BAD
foundation →

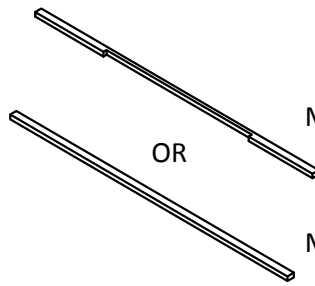
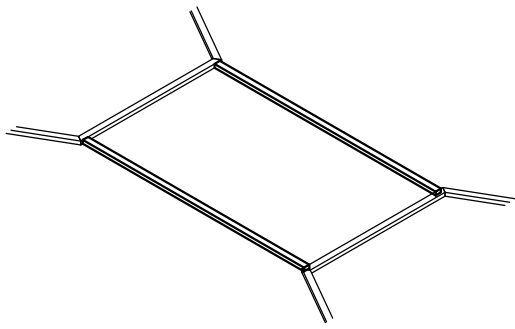


GOOD
foundation →



Corridor

Wood ring-foundation



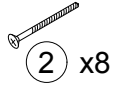
① x2

Mi-45x70x2955-F (with extension)

OR

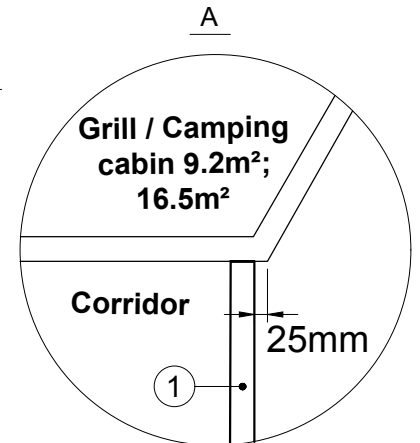
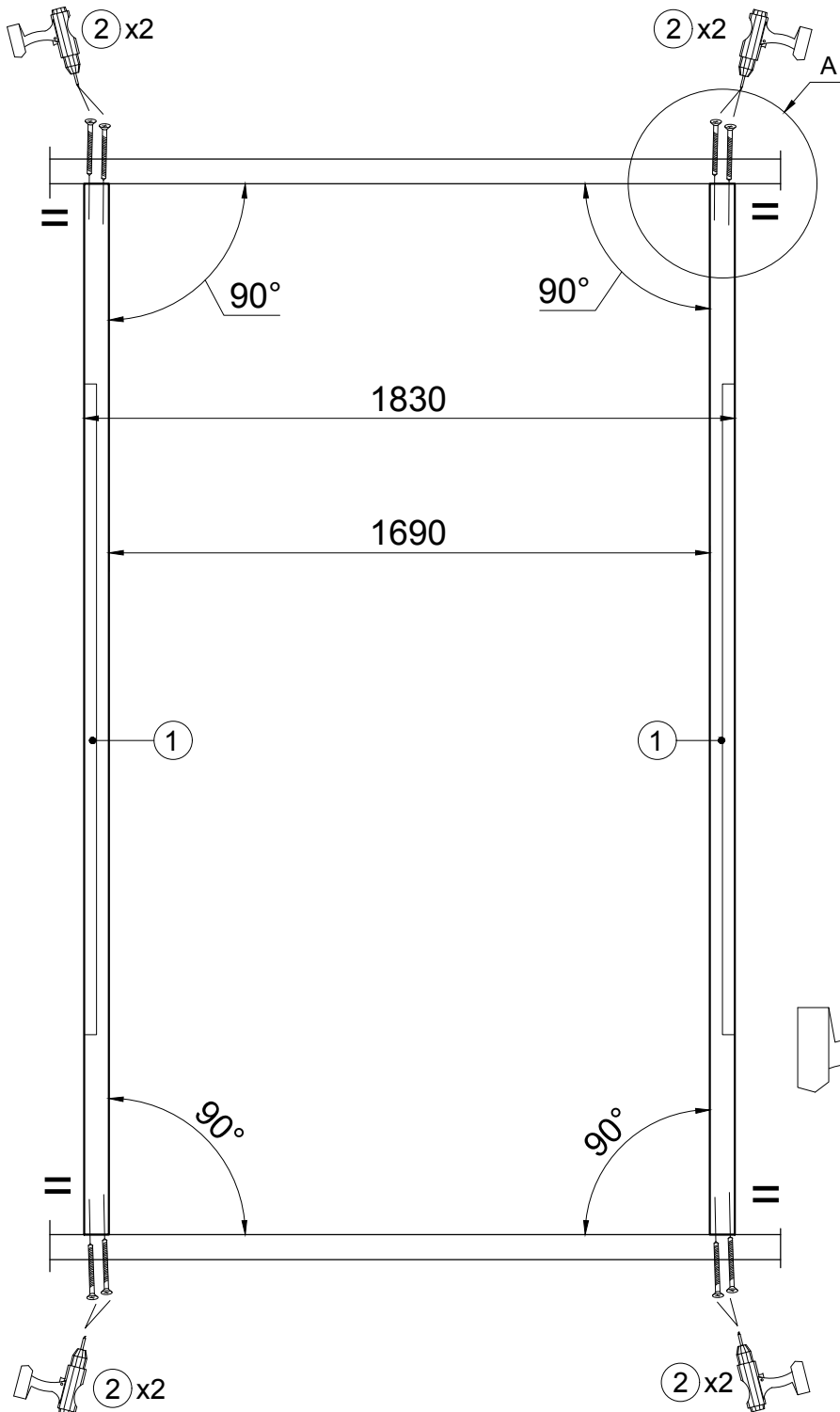
or

Mi-45x70x2955

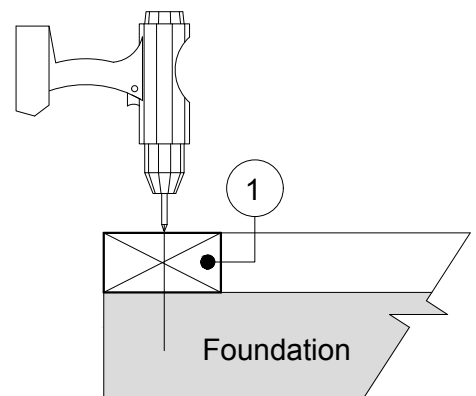
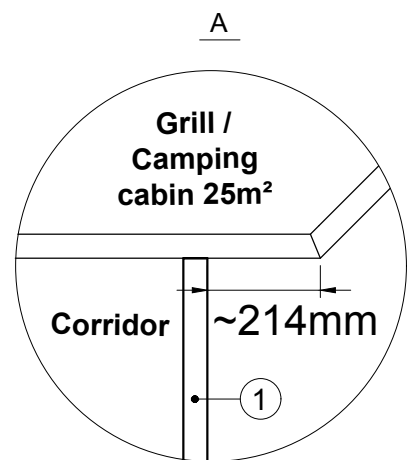


② x8

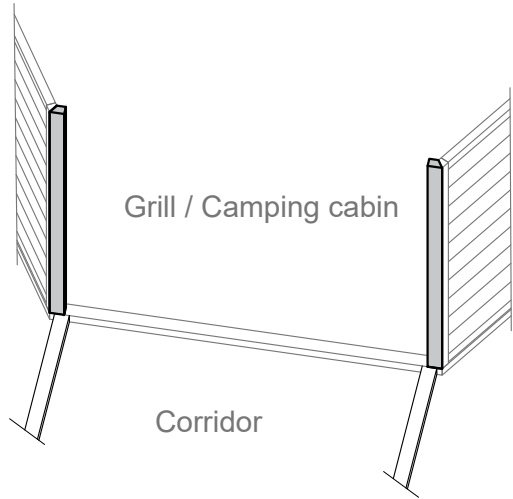
T-GC-5x100



OR



1. Corridor WALLS CONNECTION



① x4

M-45x70x1155-1x30F
or
M-45x70x1155-1x22.5F

M-45x70x1285-1x30F
or
M-45x70x1285-1x22.5F

M-45x70x1415-1x30F
or
M-45x70x1415-1x22.5F

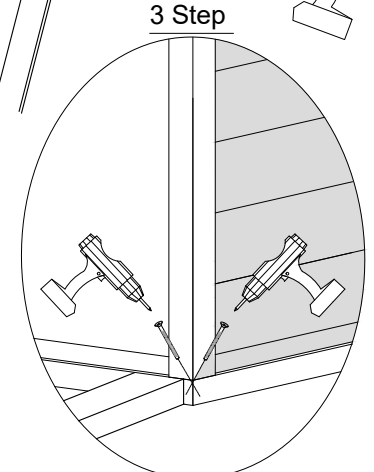
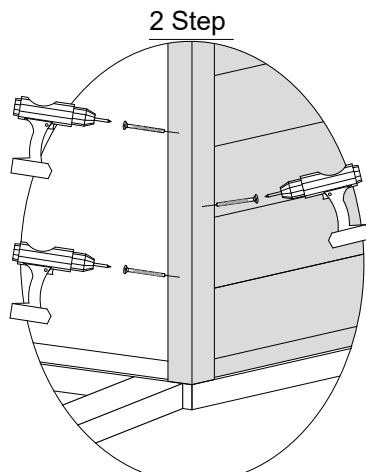
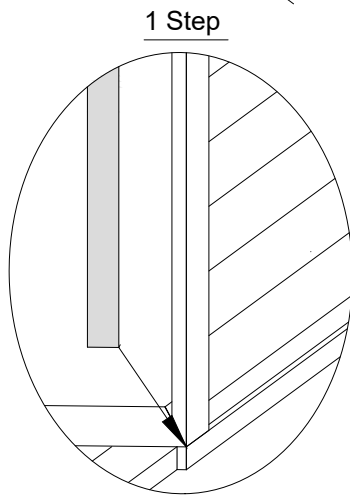
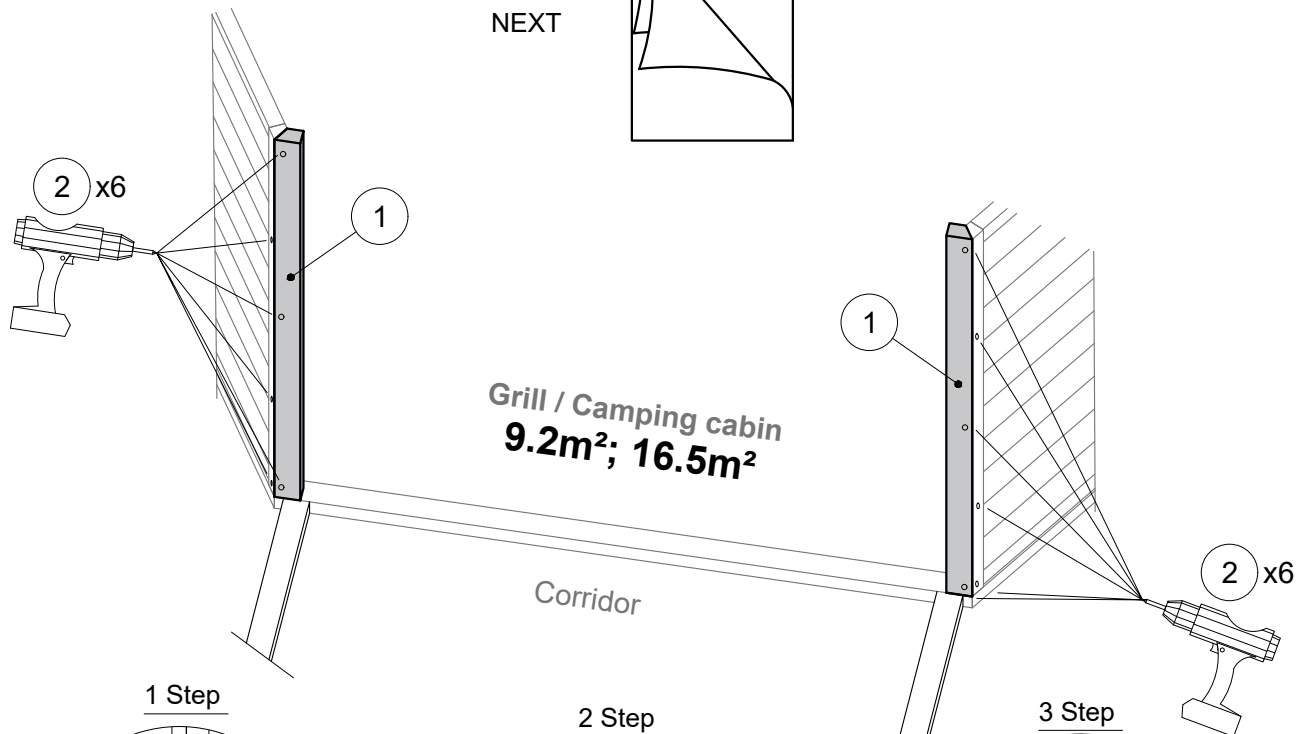
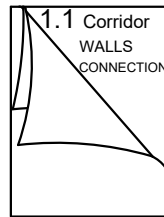


② x24

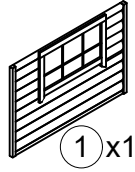
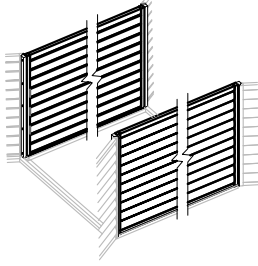
T-GC-5x100

M-45x70x1155-1x30F
M-45x70x1285-1x30F - if Grill/Camping cabin is 9.2m²
M-45x70x1415-1x30F
 or
M-45x70x1155-1x22.5F
M-45x70x1285-1x22.5F - if Grill/Camping cabin is 16.5m²
M-45x70x1415-1x22.5F

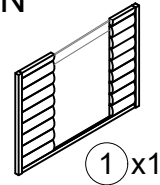
or
 If Grill/Camping cabin is 25m²



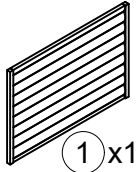
1.1 Corridor WALLS CONNECTION



or

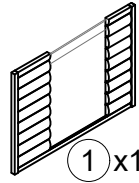


Korid-SSD-1285x2955-A1070
or
Korid-SSD-1415x2955-A1070



GR-EX-SS-1155x2955
or
GR-EX-SS-1285x2955
or
GR-EX-SS-1415x2955

or

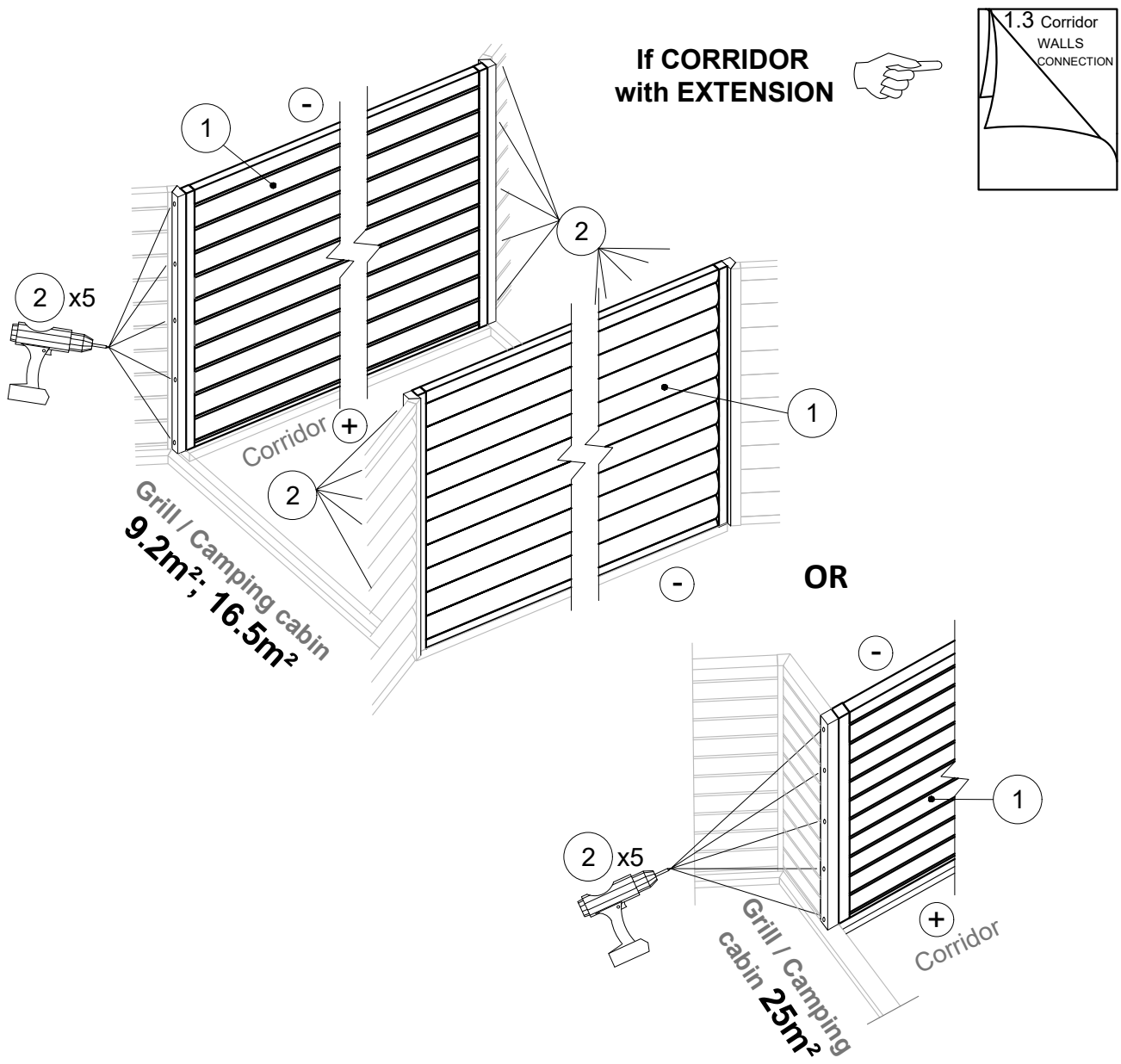


Korid-SSD-1155x2955-A850
or
Korid-SSD-1285x2955-A850
or
Korid-SSD-1415x2955-A850

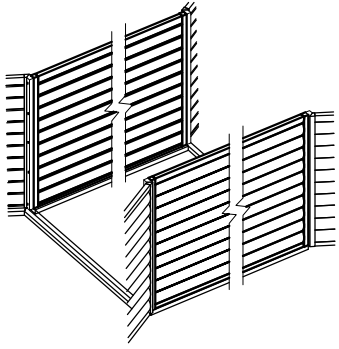


② x20

T-GC-5x100



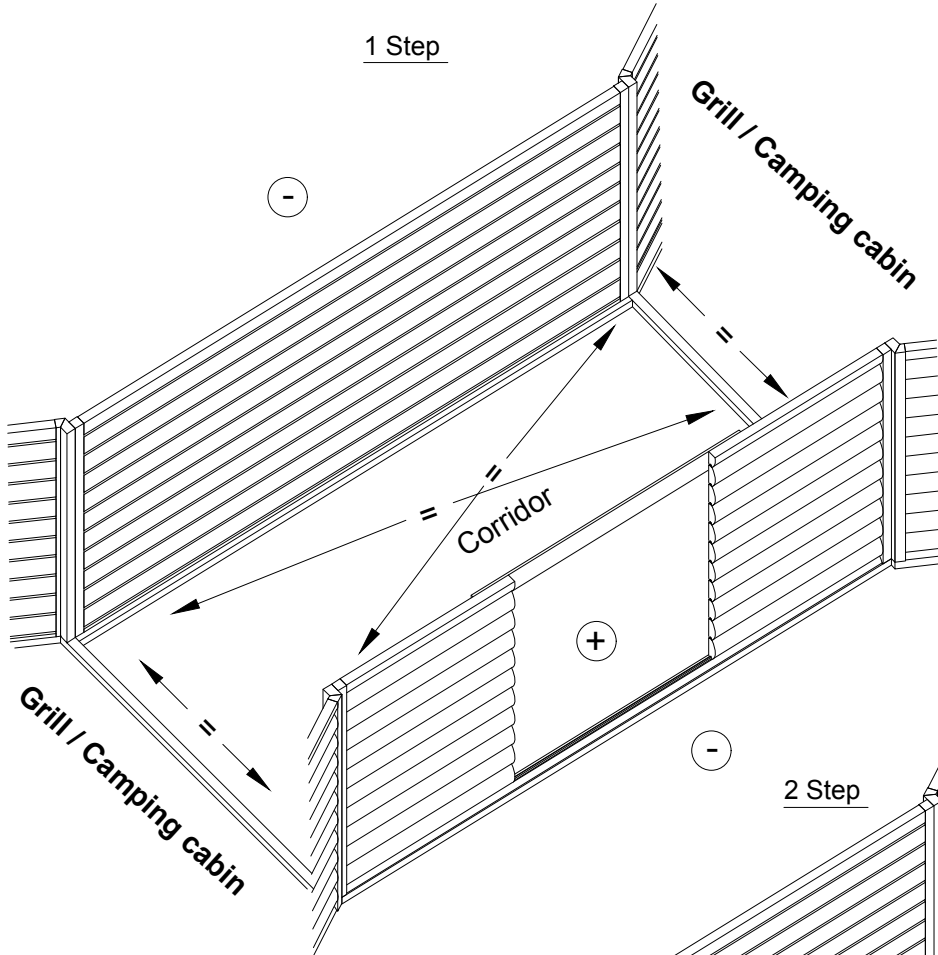
1.2 Corridor WALLS CONNECTION



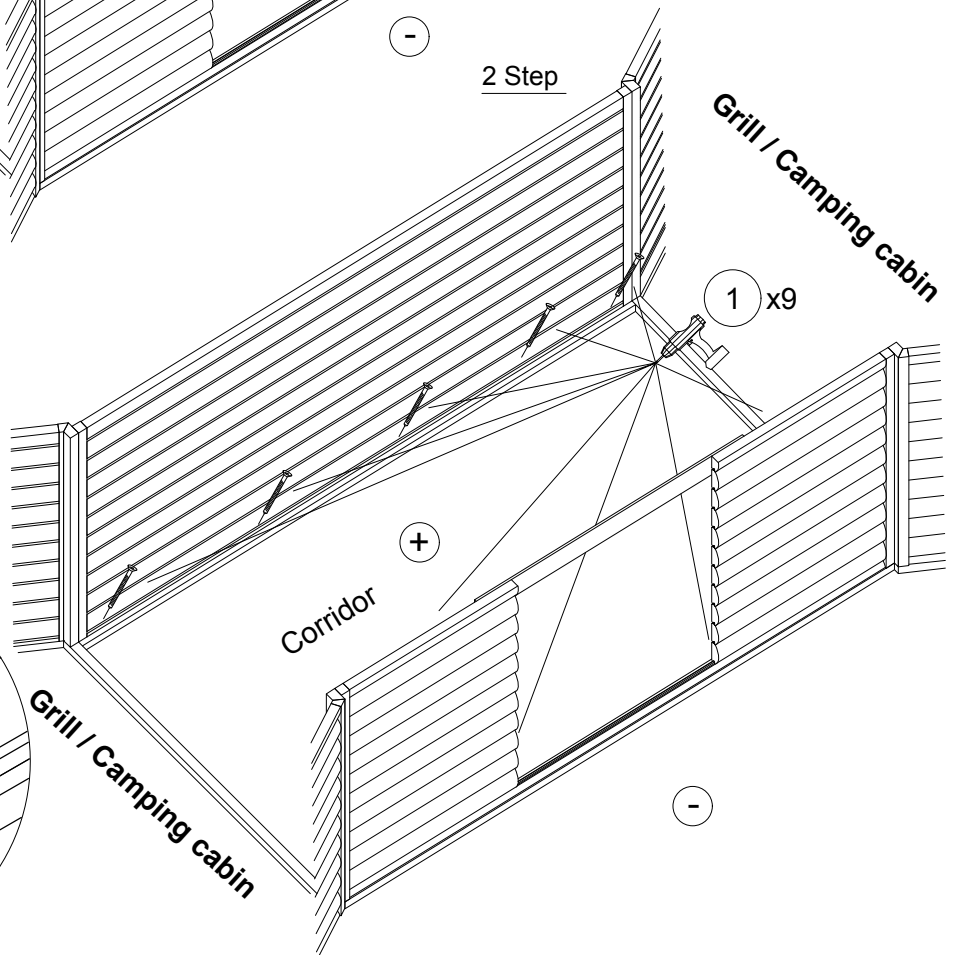
1 x10

T-GC-5x100

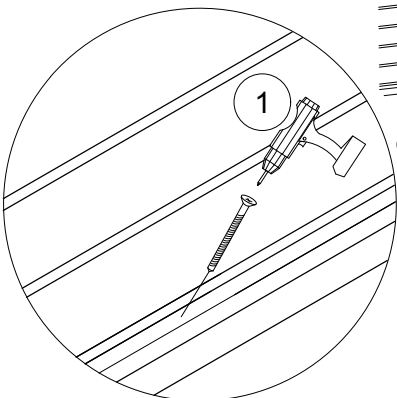
1 Step



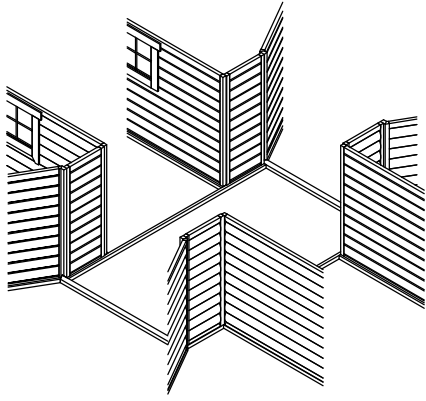
2 Step



3 Step



1.3 Corridor WALLS CONNECTION



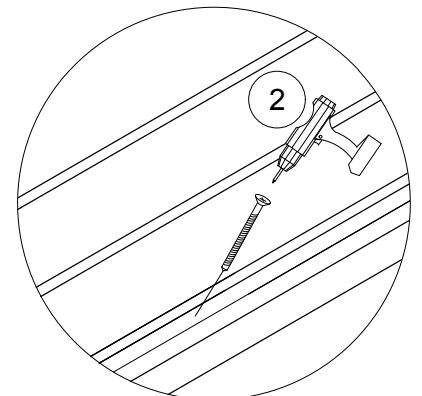
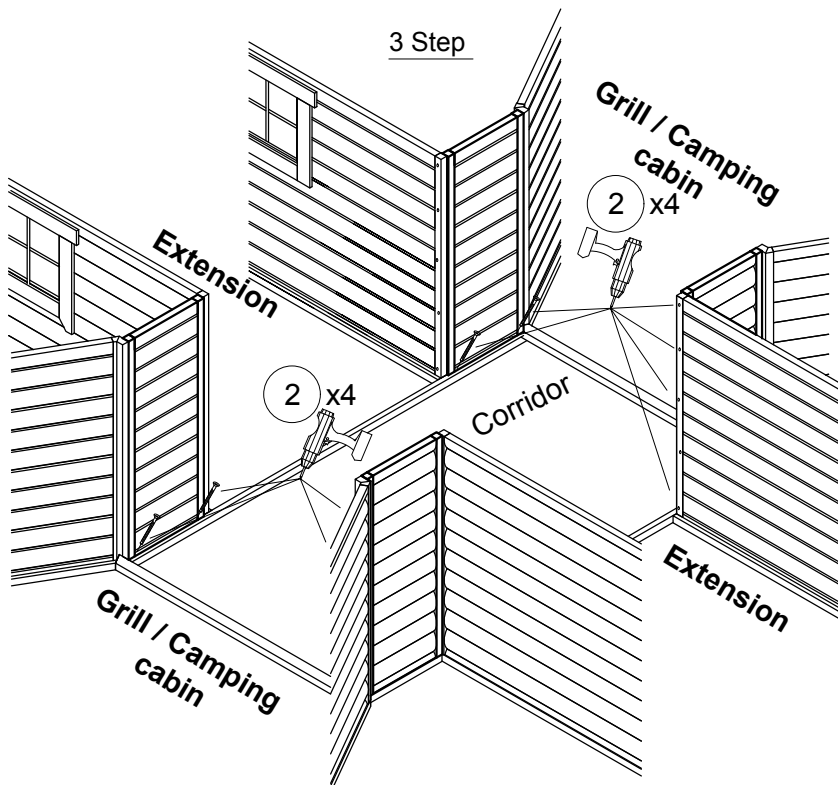
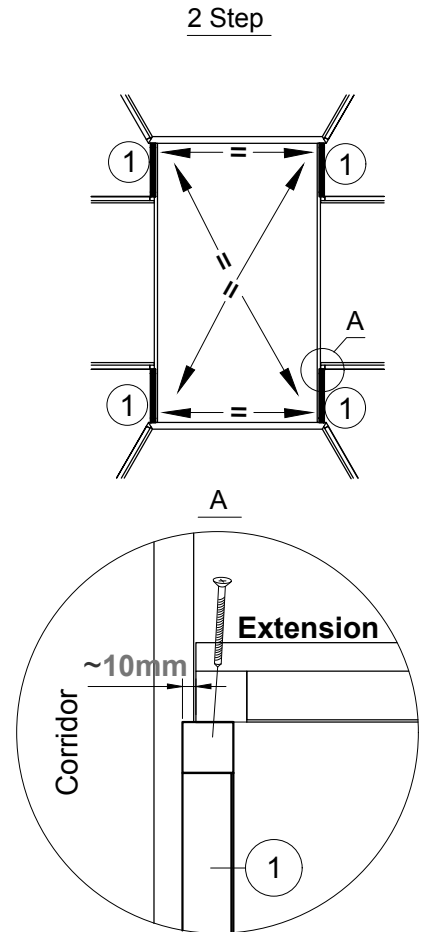
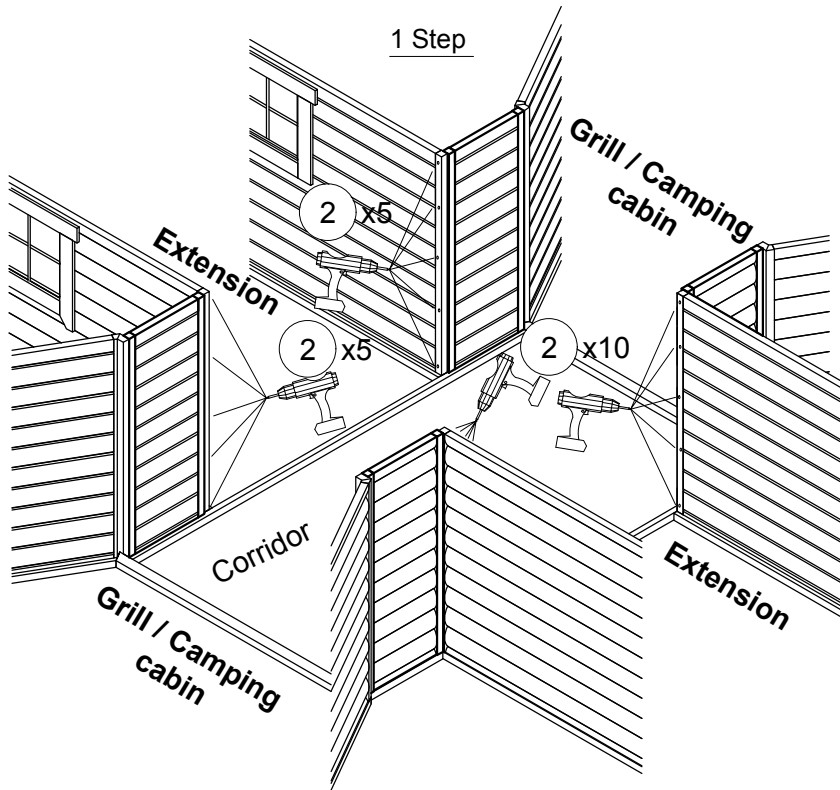
① x2 or x4

Korid-EX-S-1155x563
or
Korid-EX-S-1285x563
or
Korid-EX-S-1415x563



② x28

T-GC-5x100



2. Corridor DECORATION (SUPPORT) OUTSIDE

2.2

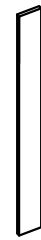
1 Step



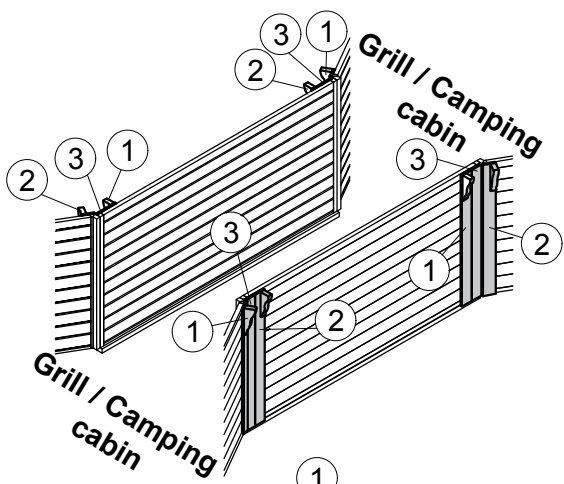
1 x4 or (x5) or (x6)
GR-Apd(k)-1155
or
GR-Apd(k)-1285
or
GR-Apd(k)-1415



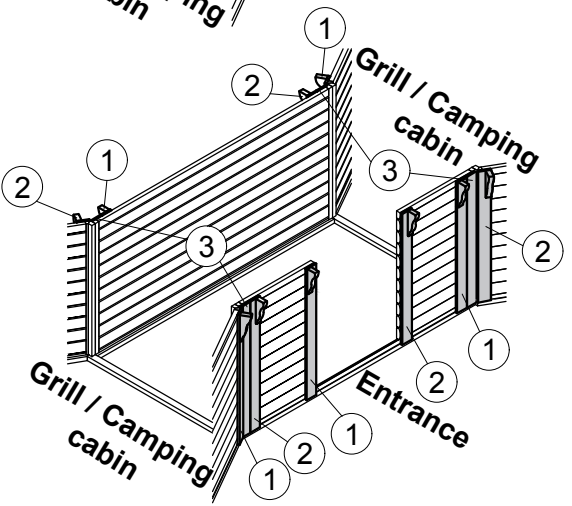
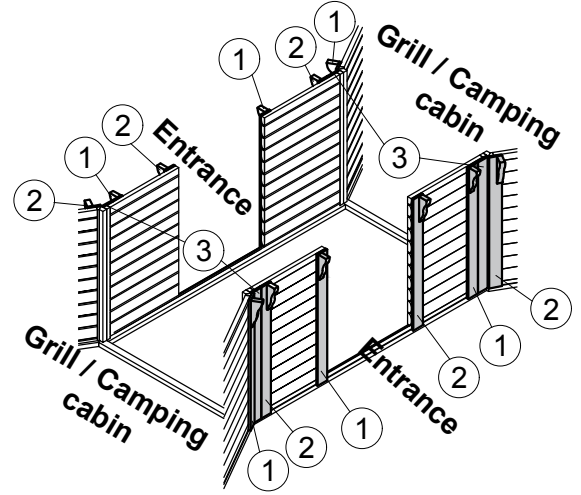
2 x4 or (x5) or (x6)
GR-Apd(d)-1155
or
GR-Apd(d)-1285
or
GR-Apd(d)-1415



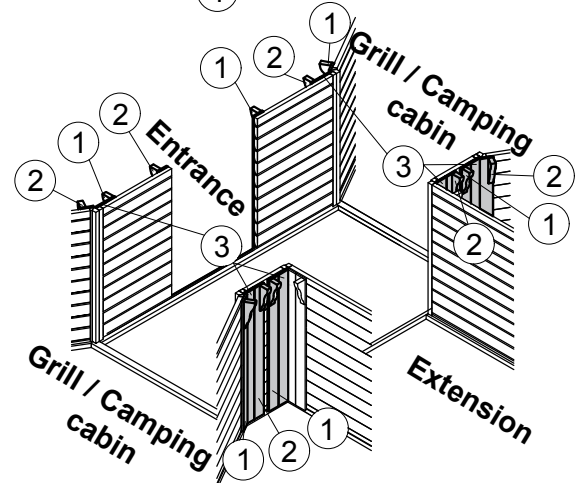
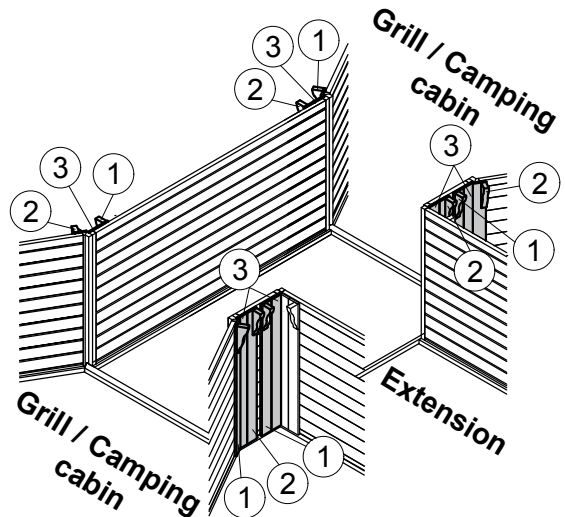
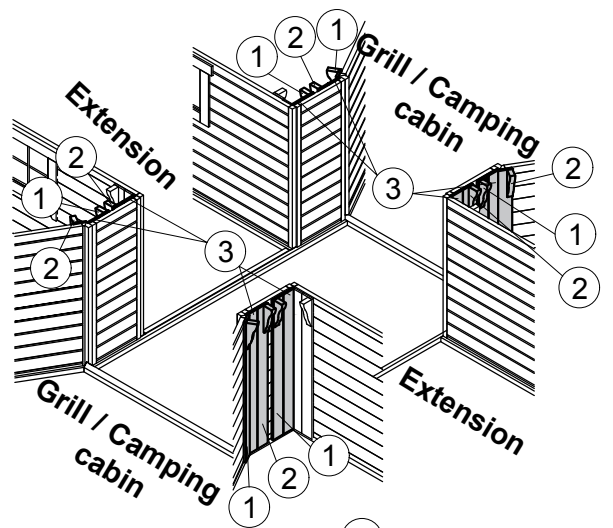
3 x4 or (x6) or (x8)
M-18x95-1155
or
M-18x95-1285
or
M-18x95-1415



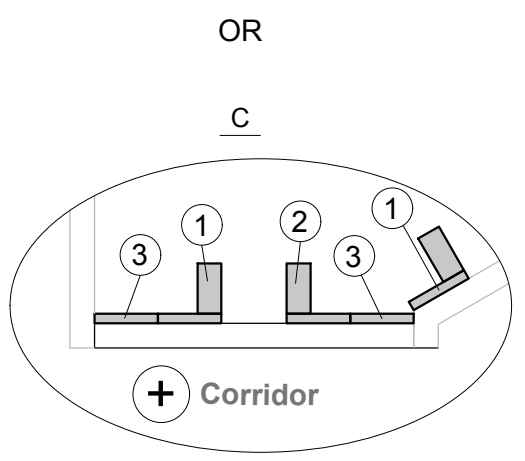
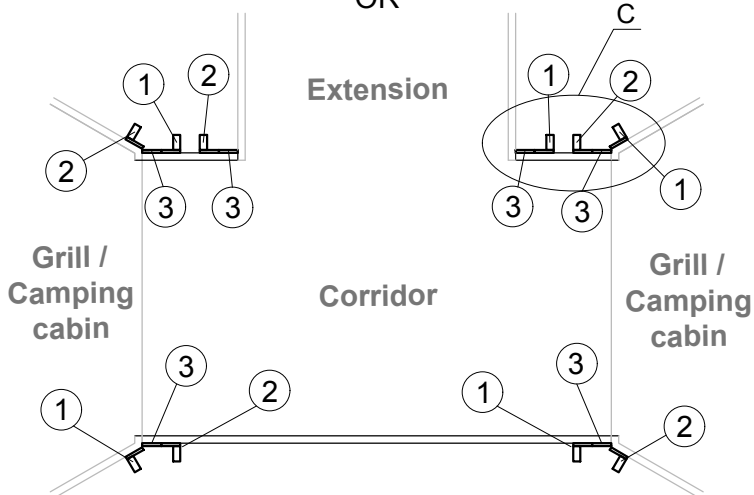
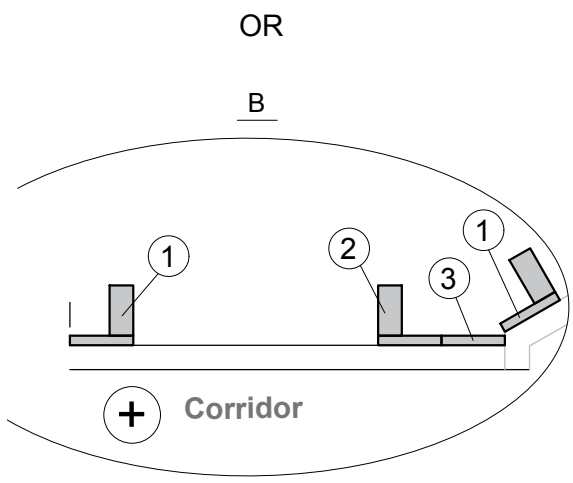
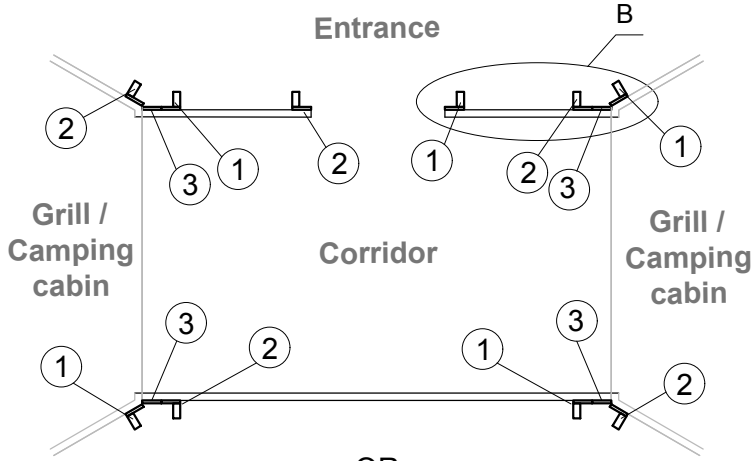
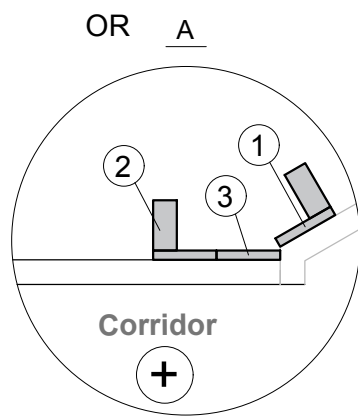
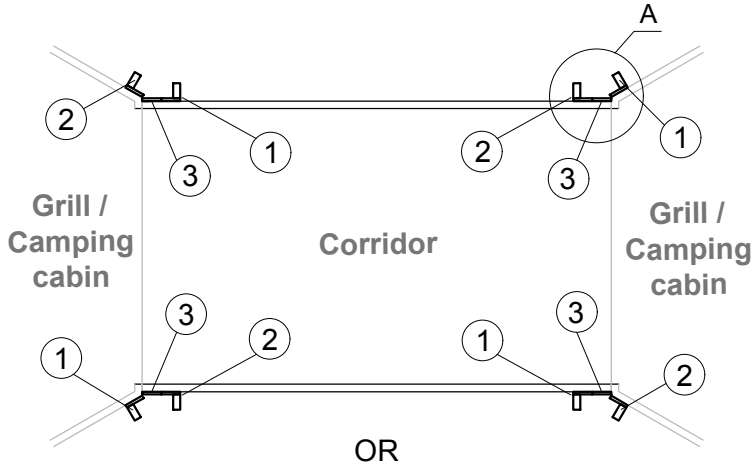
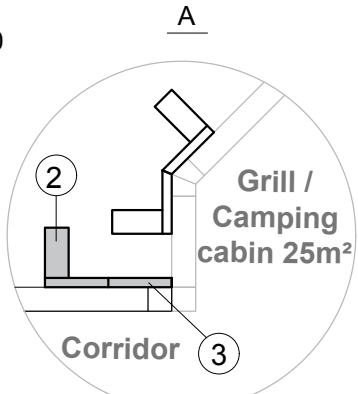
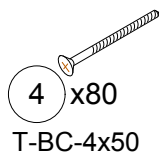
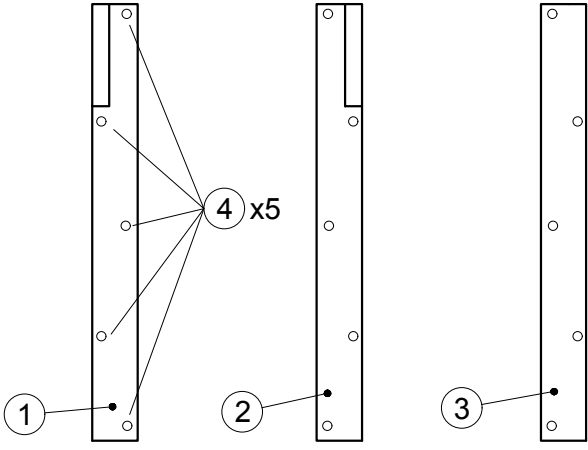
OR



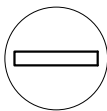
OR



2.1 Corridor DECORATION (SUPPORT) OUTSIDE



2.2 Corridor DECORATION (SUPPORT) OUTSIDE



① x 12 or (16) or (20)

M-18x95x1155
or
M-18x95x1285
or
M-18x95x1415



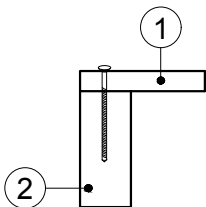
② x 8 or (10) or (12)
M-45x95x270-CNC



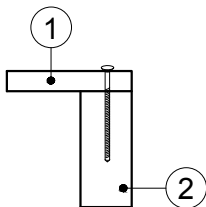
③ x 8 or (10) or (12)
T-BC-4x70



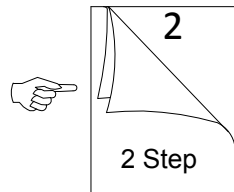
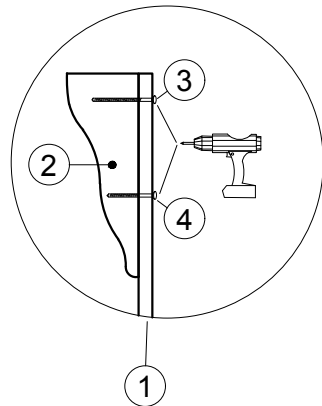
④ x 8 or (10) or (12)
T-BC-4x50



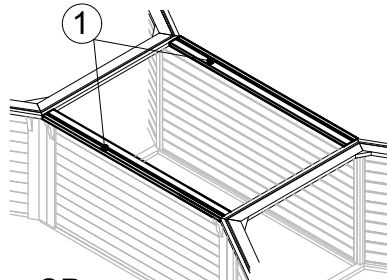
GR-Apd(k)-1155
or
GR-Apd(k)-1285
or
GR-Apd(k)-1415



GR-Apd(d)-1155
or
GR-Apd(d)-1285
or
GR-Apd(d)-1415

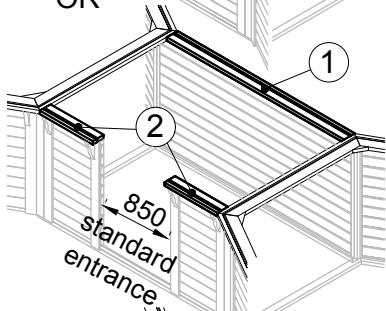


3. Corridor ROOF SUPPORT RING



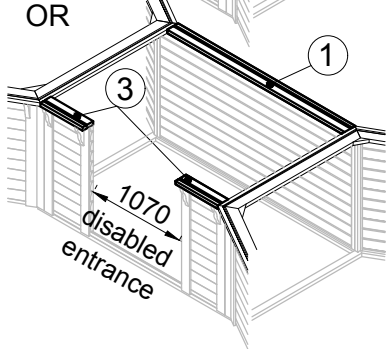
1 x2 or (x1)
M-45x160x2655-F

OR

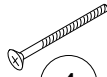


2 x2 or (x4)
M-45x160x902-F

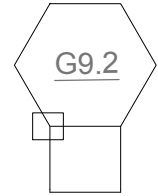
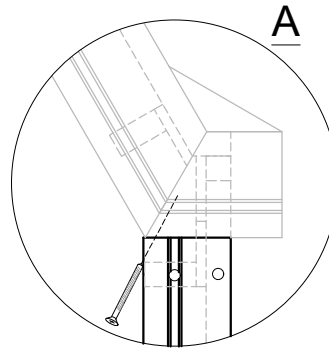
OR



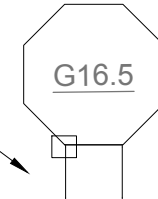
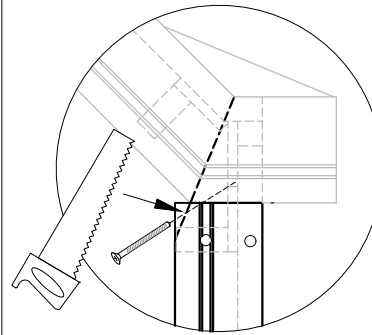
3 x2 or (x4)
M-45x160x794-F



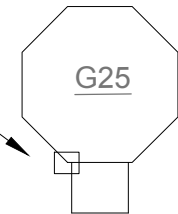
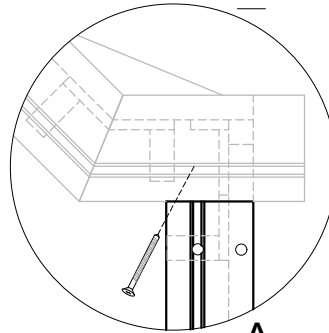
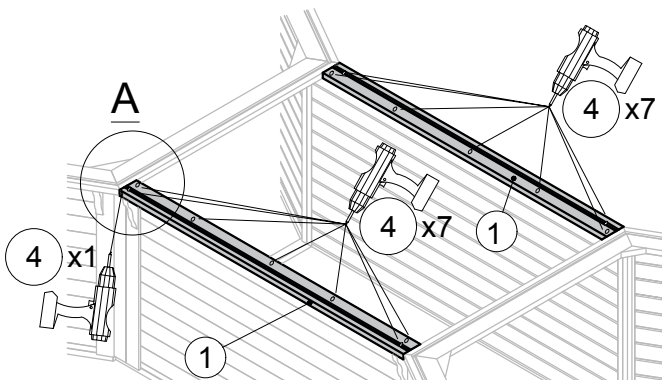
4 x22
T-GC-5x100



A

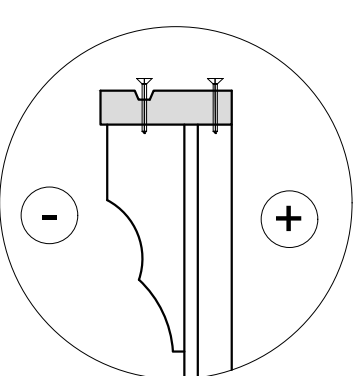
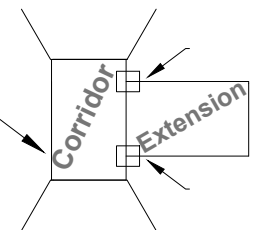
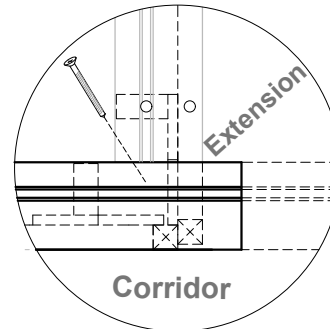
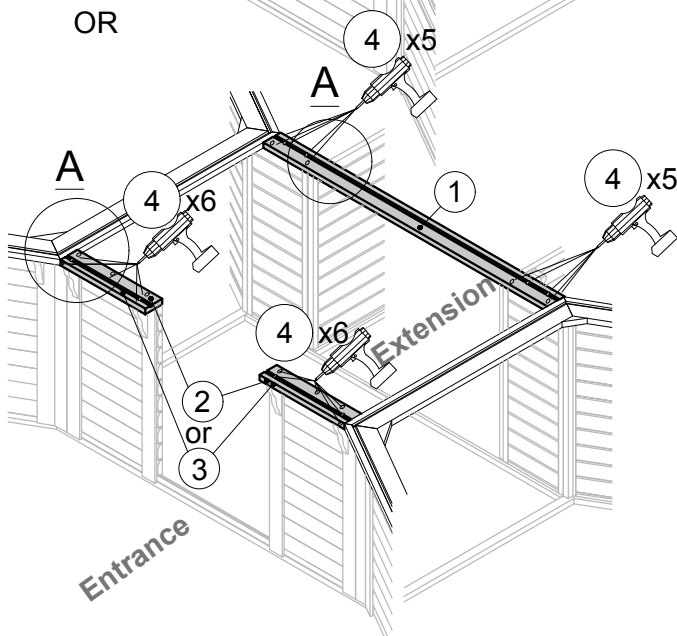


A

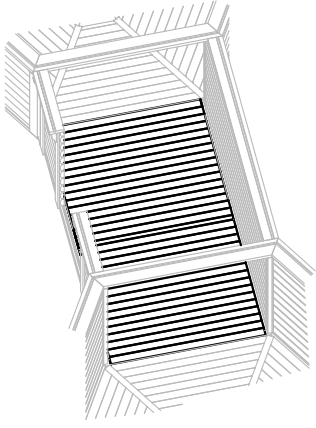


A

OR

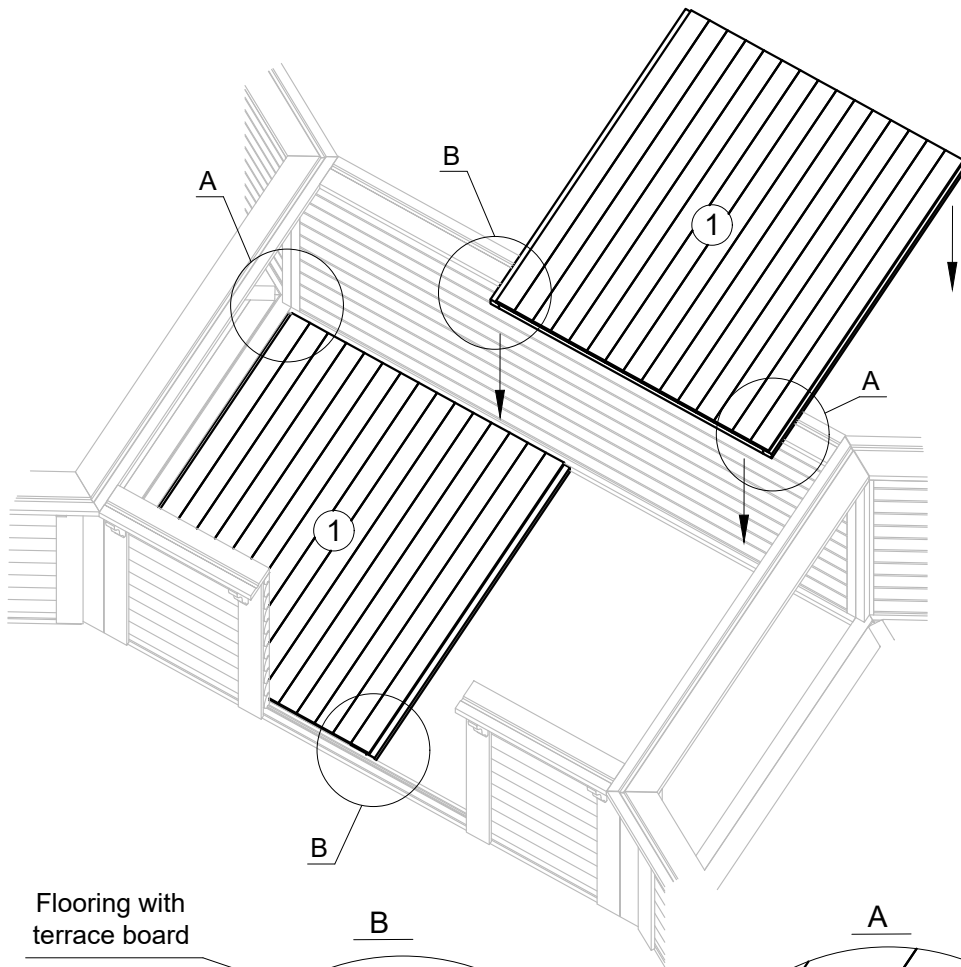
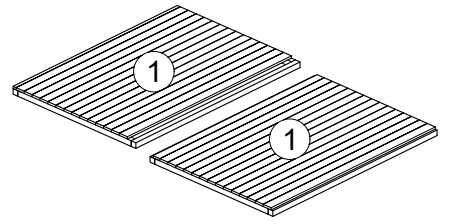


4. Corridor FLOORS



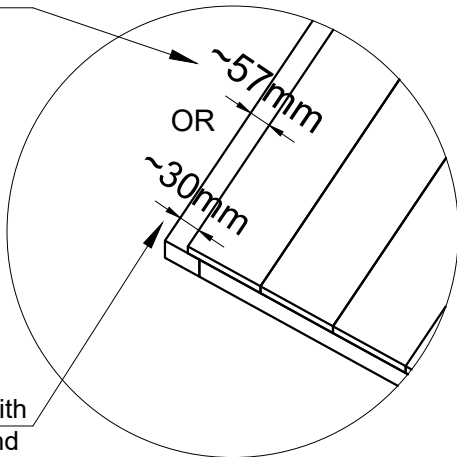
1 x2

Korid-Grind-1472x1680
or
Korid-Spunt-1472x1680



Flooring with terrace board

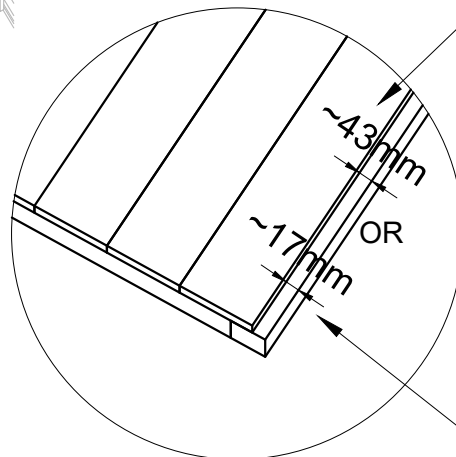
B



Flooring with tongue and groove board

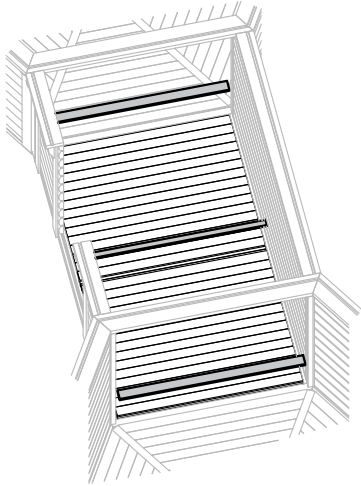
Flooring with terrace board

A



Flooring with tongue and groove board

5. Corridor FLOORS FINISHING BOARDS



① x2

M-18x95x1680
or
Spunt-28x120x1680-F

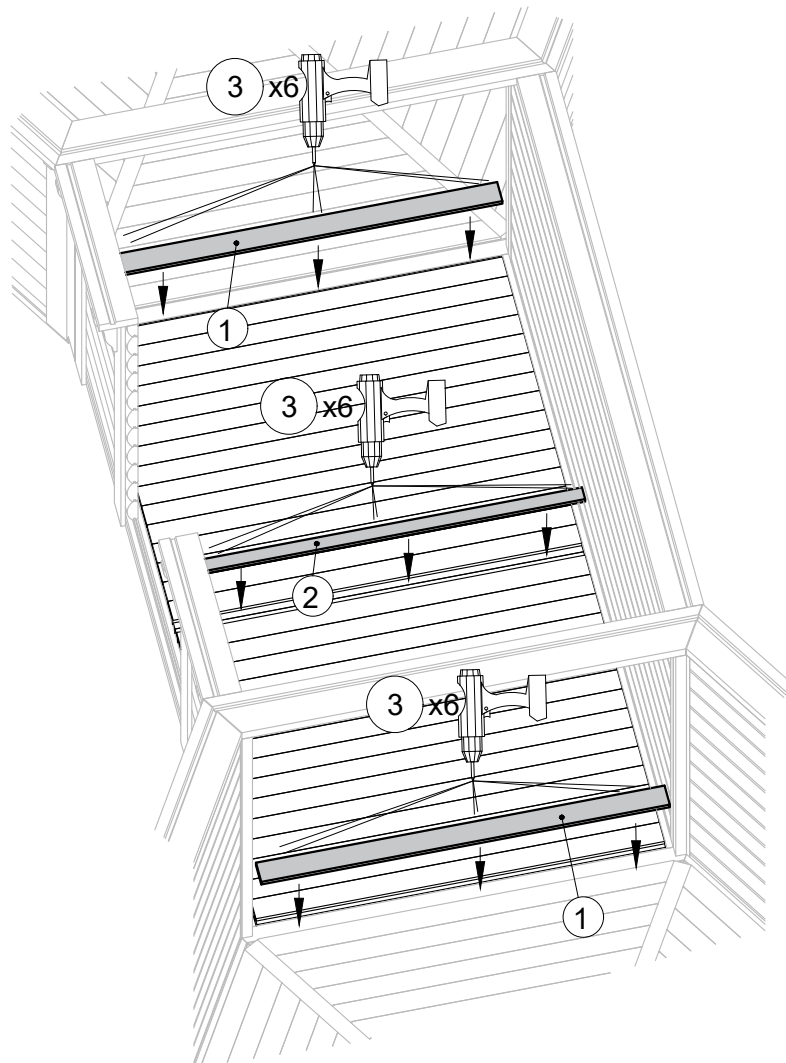


② x1

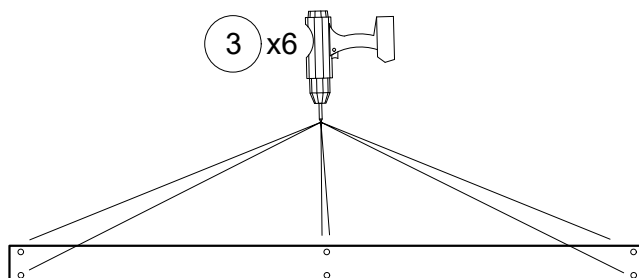
M-18x58x1680-F
or
Spunt-28x112x1680-F

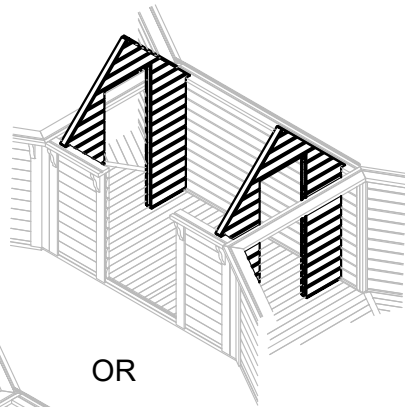


③ x18
T-GC-3.5x45

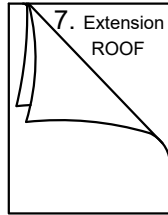
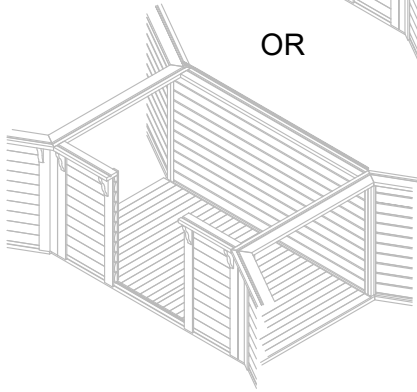


③ x6

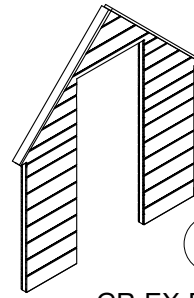




OR



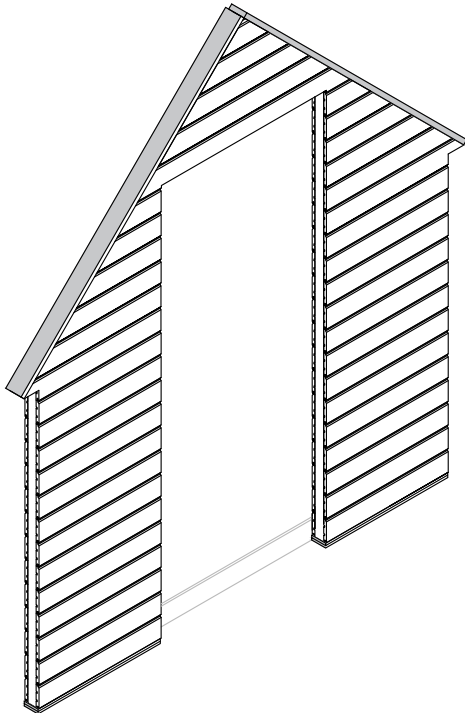
6. Corridor INSIDE WALL



1 x1 or (x2)

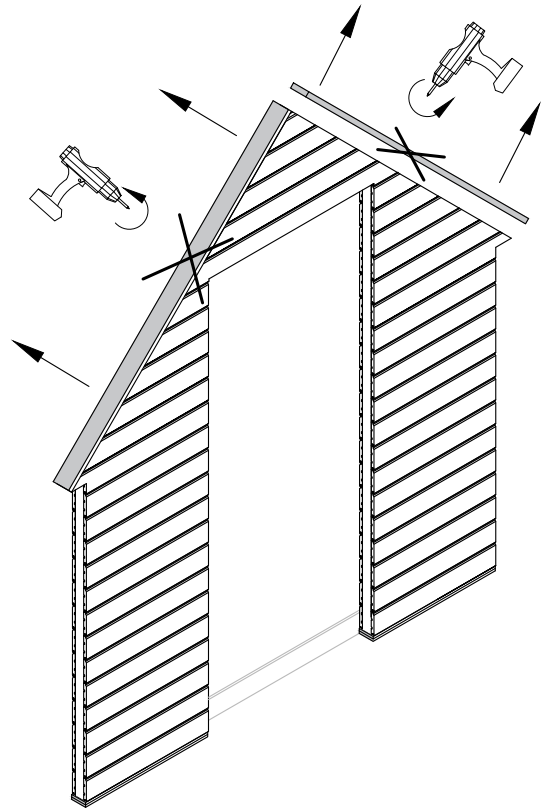
GR-EX-Pertv-1857x2093-A700
or
GR-EX-Pertv-1857x2223-A700
or
GR-EX-Pertv-1857x2223-A1010
or
GR-EX-Pertv-1857x2353-A700
or
GR-EX-Pertv-1857x2353-A1010

COLD
ROOF

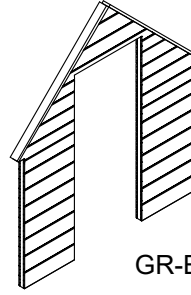
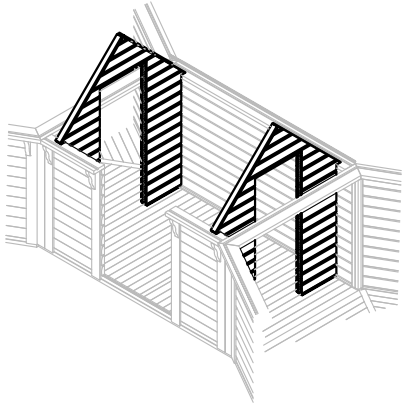


or

INSULATED
ROOF

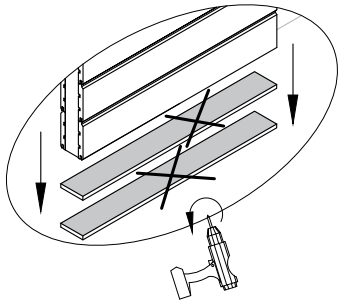


6.1 Corridor INSIDE WALL

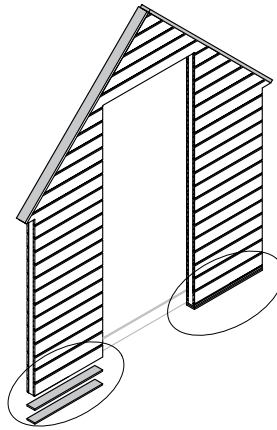


1 x1 or (x2)

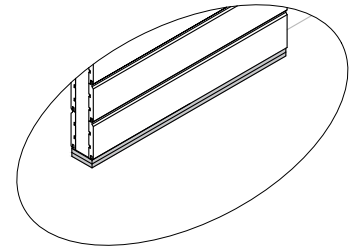
GR-EX-Pertv-1857x2093-A700
or
GR-EX-Pertv-1857x2223-A700
or
GR-EX-Pertv-1857x2223-A1010
or
GR-EX-Pertv-1857x2353-A700
or
GR-EX-Pertv-1857x2353-A1010




or



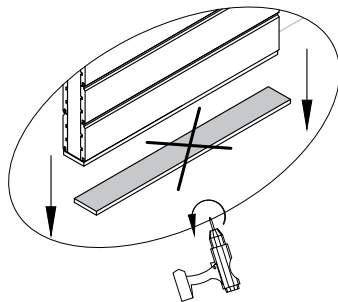
or



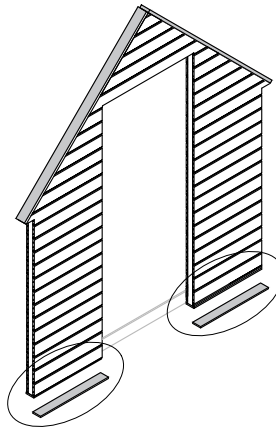
INSULATED FLOOR WITH
TONGUE AND GROOVE
BOARD 

COLD FLOOR WITH
BOARD 

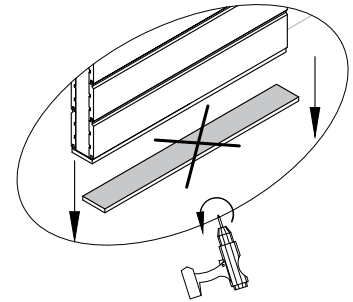
or





or



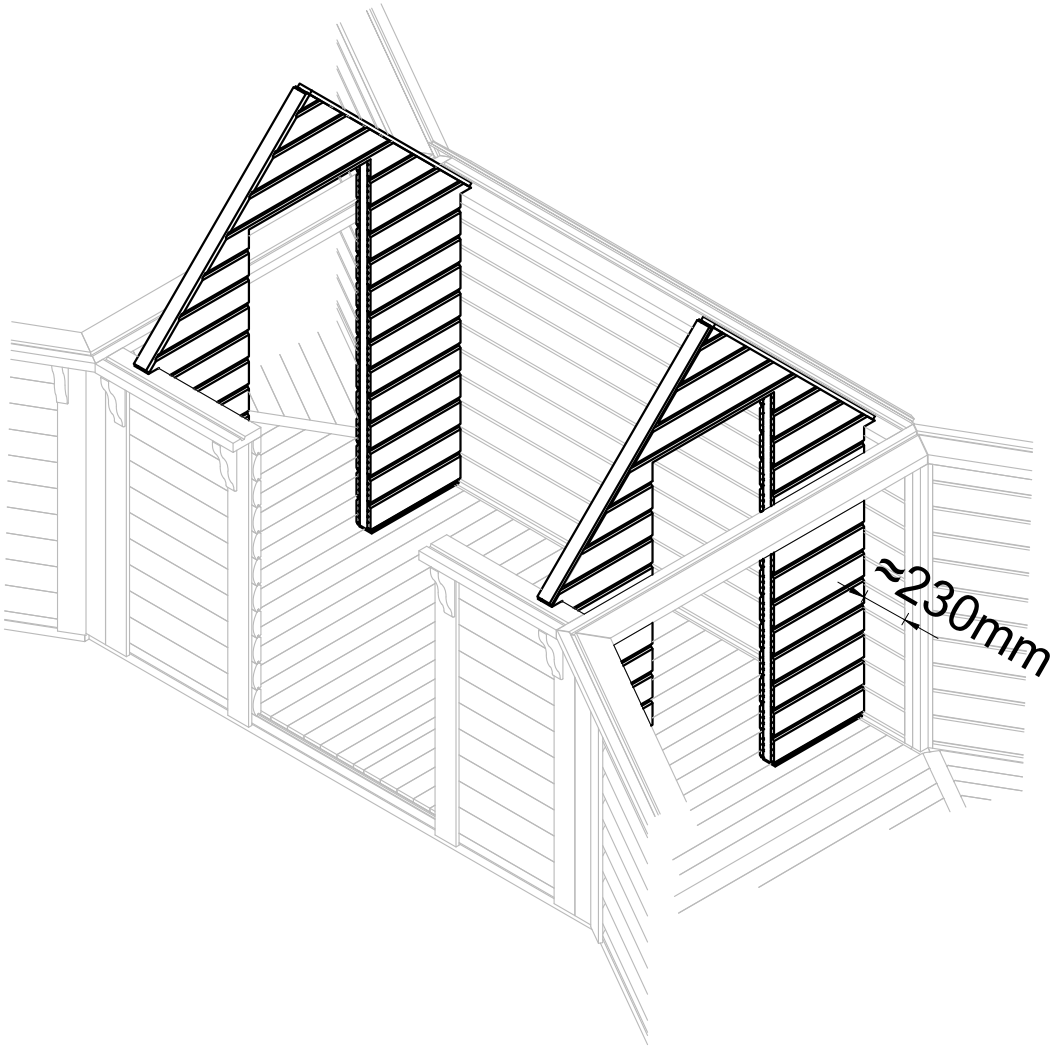
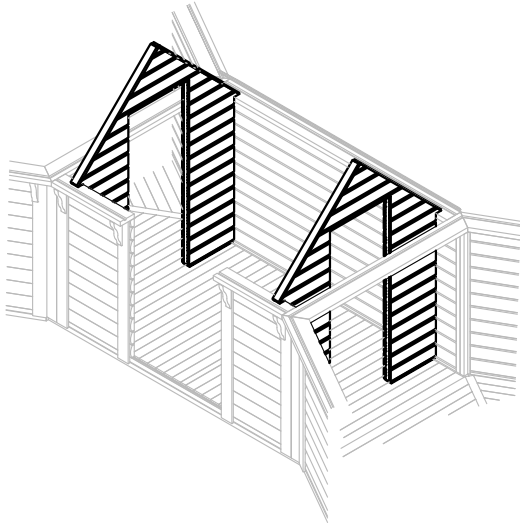
or



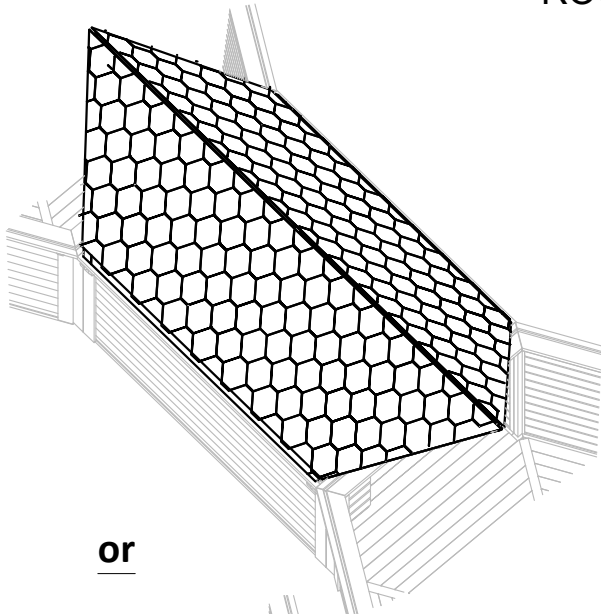
COLD FLOOR WITH TONGUE
AND GROOVE BOARD 

INSULATED FLOOR
WITH BOARD 

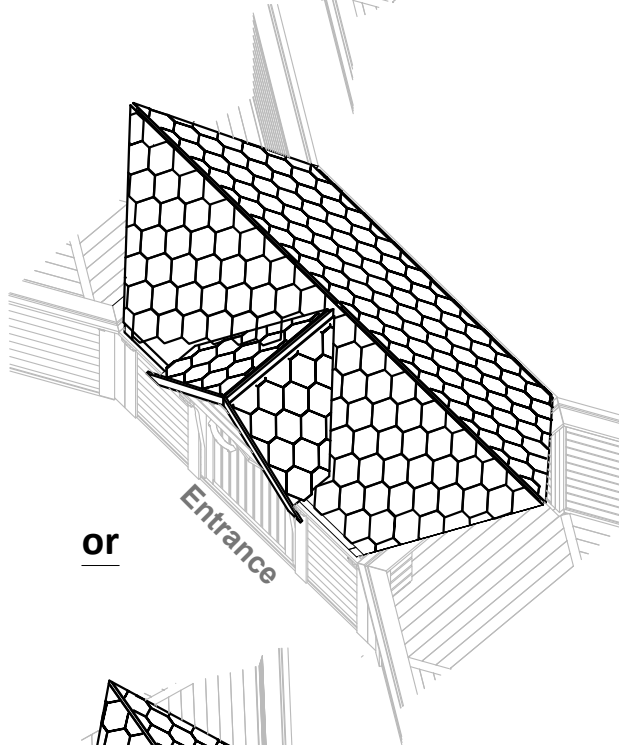
6.2 Corridor
INSIDE WALL



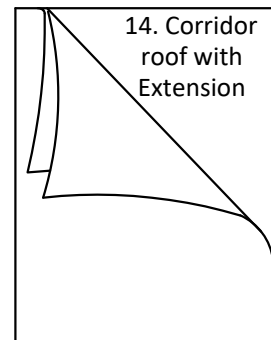
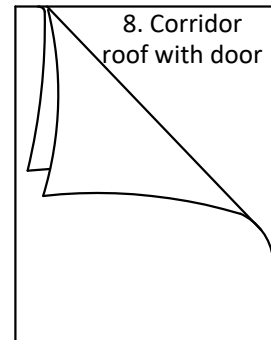
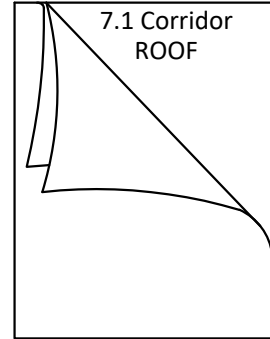
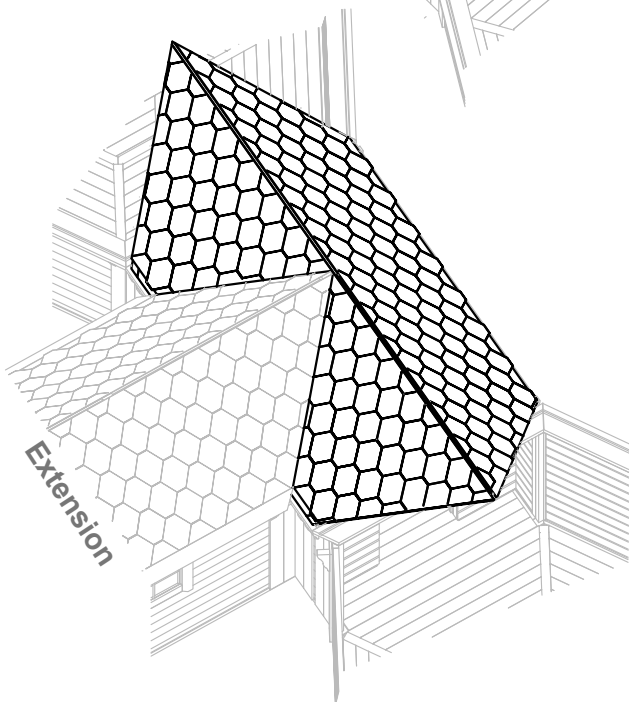
7. Corridor ROOF



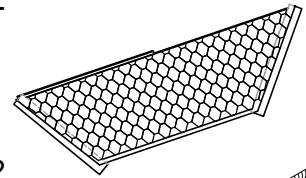
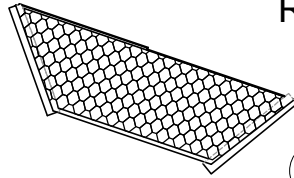
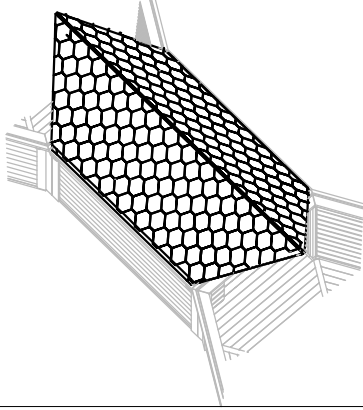
or



or



7.1 Corridor ROOF



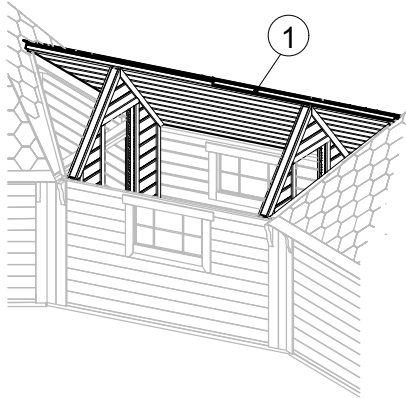
1 x2

Korid-Stog-1376x4524
or
Korid-I-Stog-1376x4524

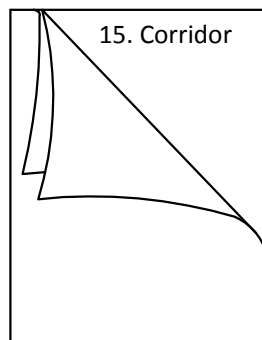
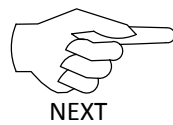
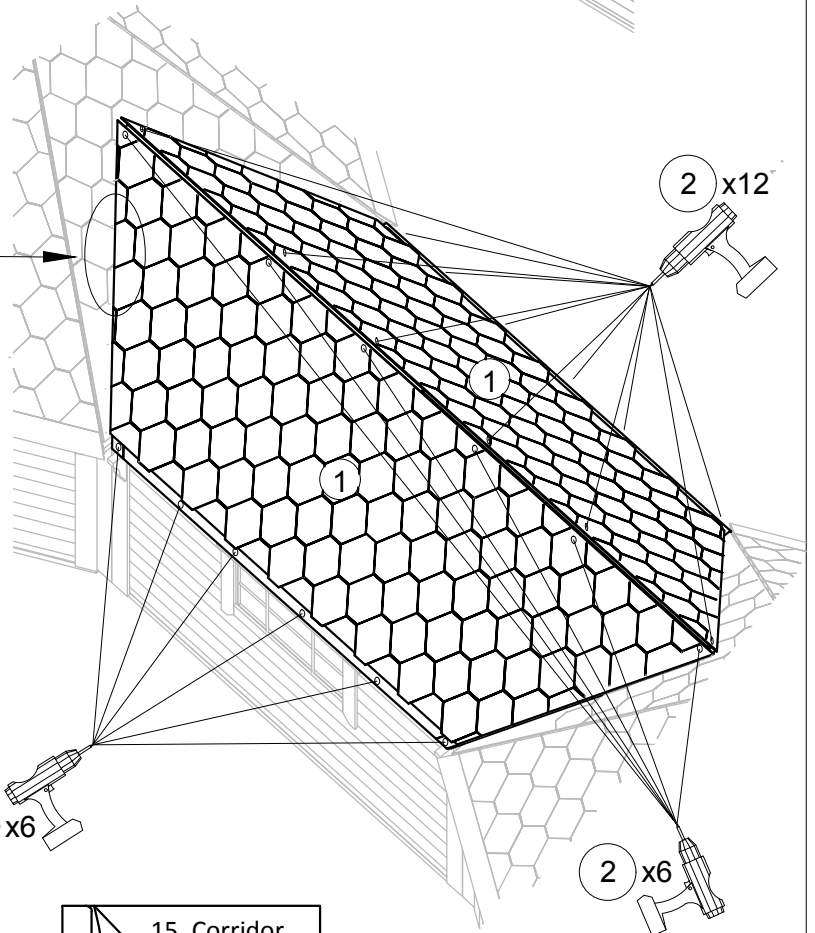
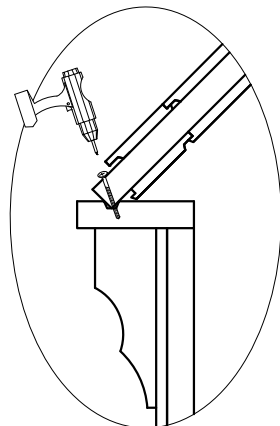
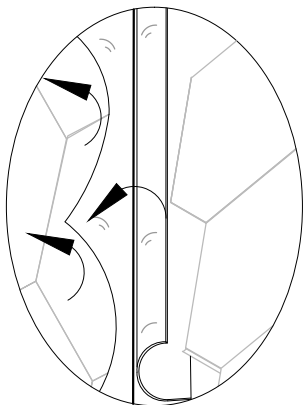
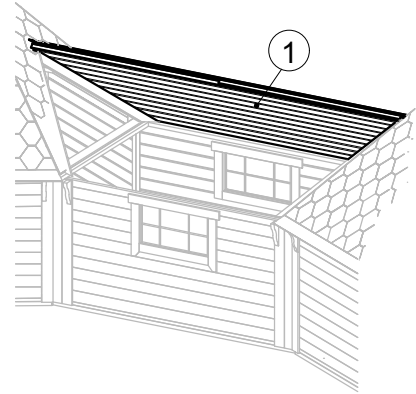


2 x24

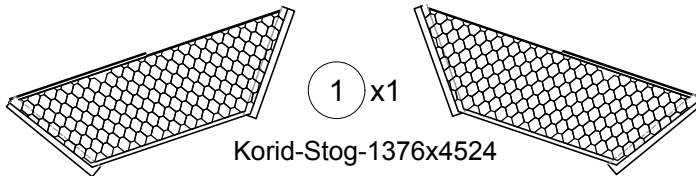
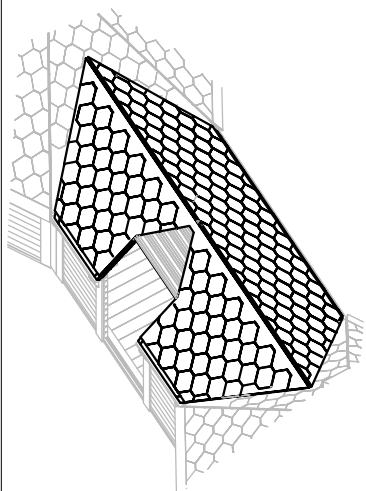
T-GC-5x80



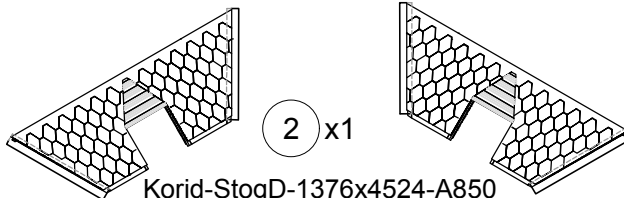
OR



8. Corridor ROOF WITH DOOR



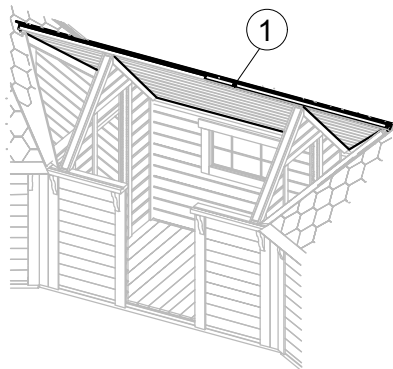
Korid-Stog-1376x4524
or
Korid-I-Stog-1376x4524



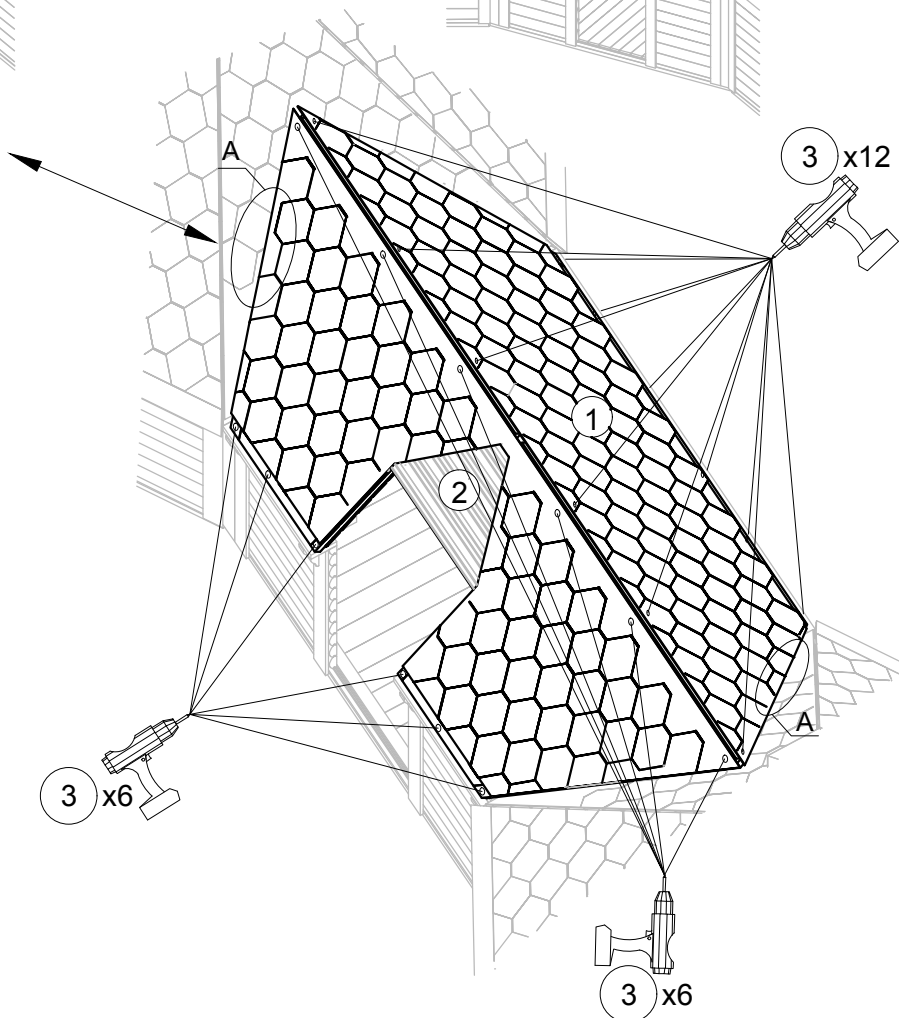
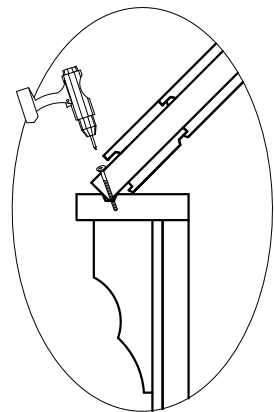
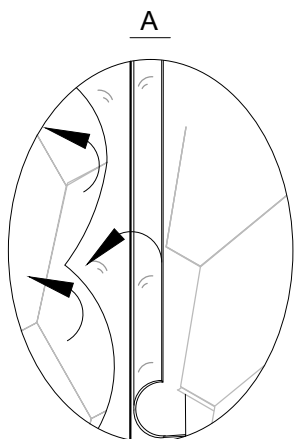
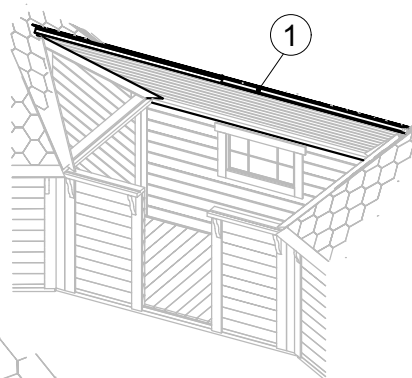
Korid-StogD-1376x4524-A850
or
Korid-I-StogD-1376x4524-A850
or
Korid-StogD-1376x4524-A1070
or
Korid-StogD-1376x4524-A1070



3 x24
T-GC-5x80

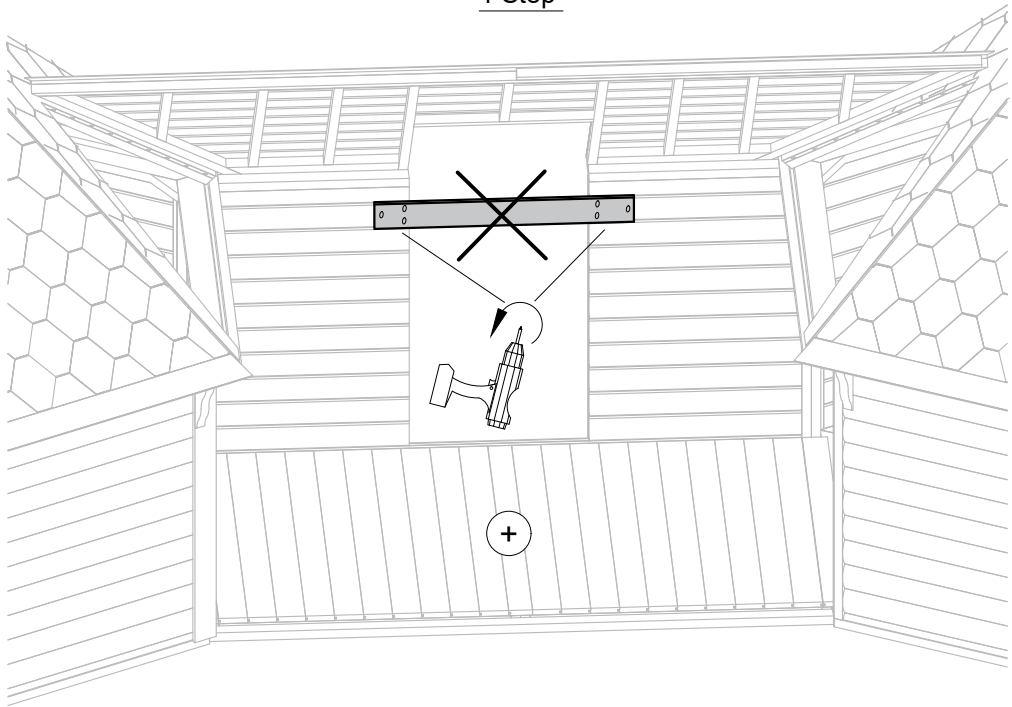


OR

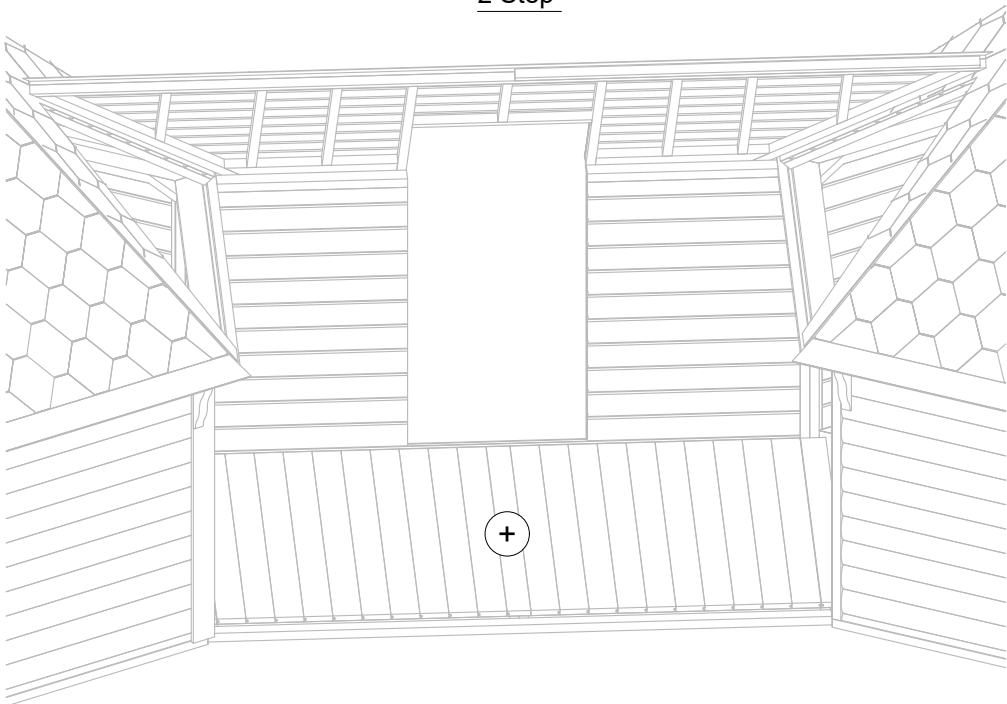


9. Corridor ENTRANCE ASSEMBLY

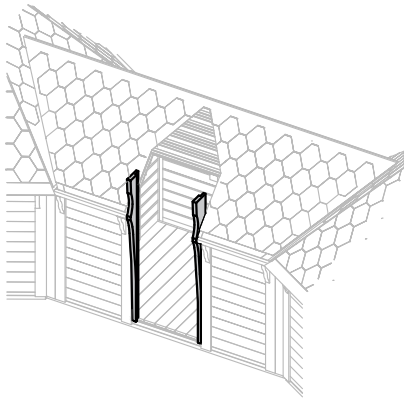
1 Step



2 Step



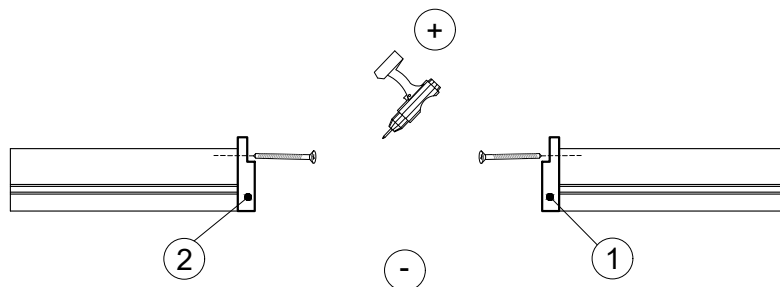
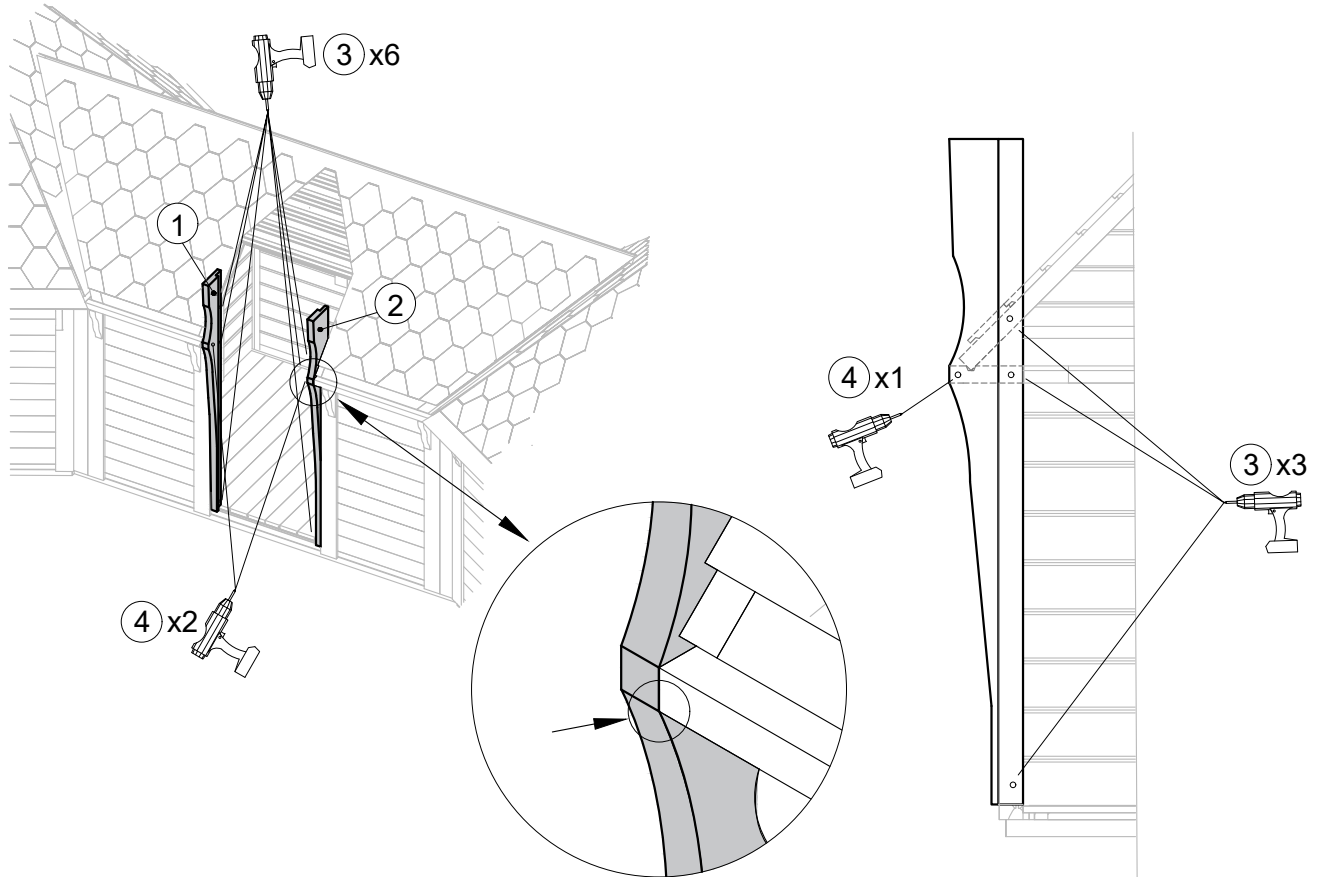
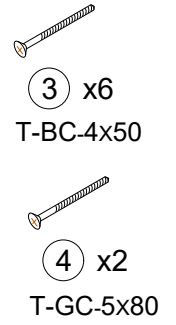
10. Corridor ENTRANCE SUPPORT

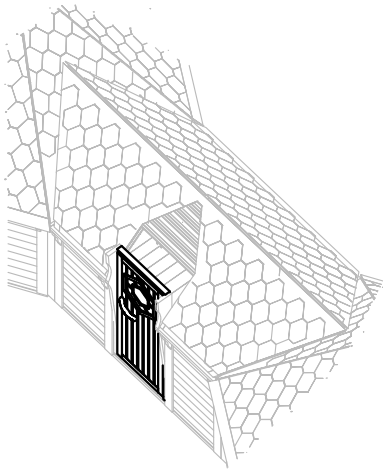


M-45x195x1630-A850-CNC(k)
or
M-45x195x1760-A850-CNC(k)
or
M-45x195x1890-A-850-CNC(k)
or
M-45x195x1630-A1070-CNC(k)
or
M-45x195x1760A-1070-CNC(k)



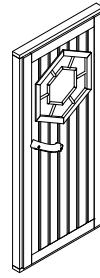
M-45x195x1630-A850-CNC(d)
or
M-45x195x1760-A850-CNC(d)
or
M-45x195x1890-A-850-CNC(d)
or
M-45x195x1630-A1070-CNC(d)
or
M-45x195x1760A-1070-CNC(d)

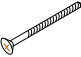




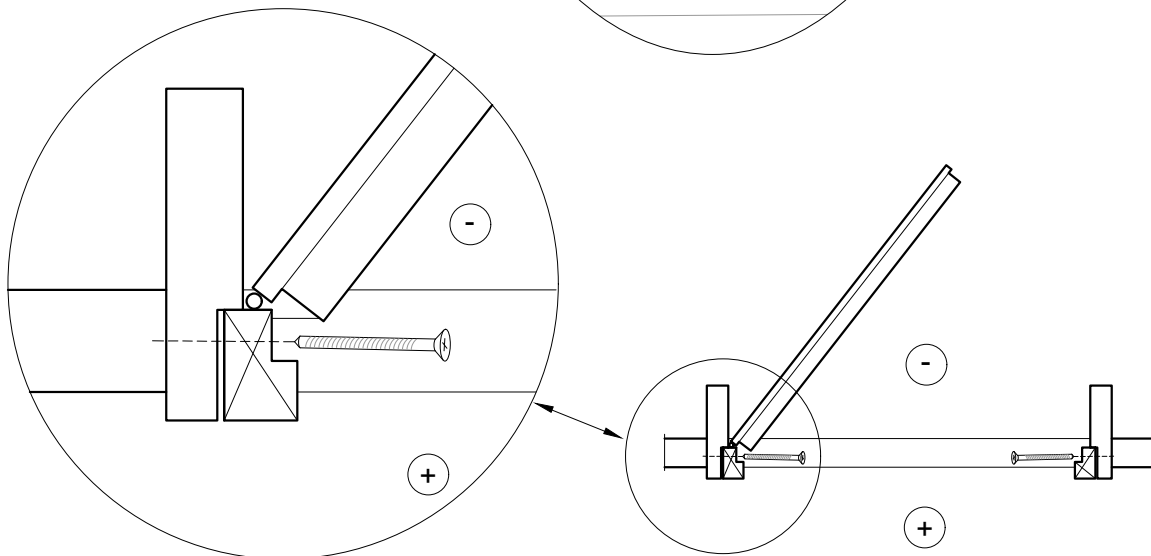
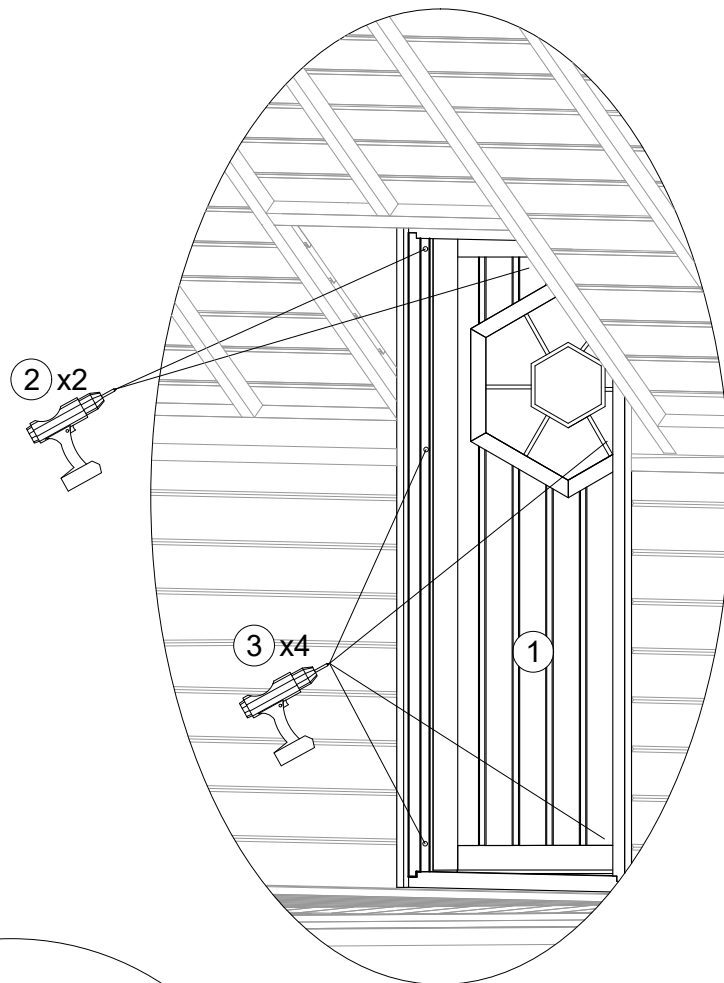
11. Corridor OUTSIDE DOOR

① x1
PUS00013
or
PUS00060
or
PUS00321
or
PUS00317
or
PUS00322



 x2
T-BC-4x50

 x4
T-GC-5x100




12. Corridor INSIDE FINISHING BOARD

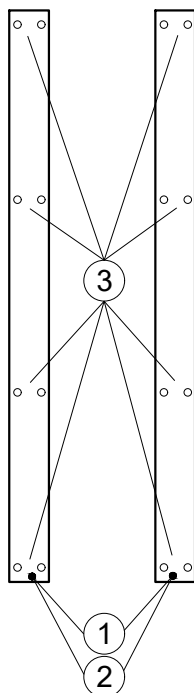
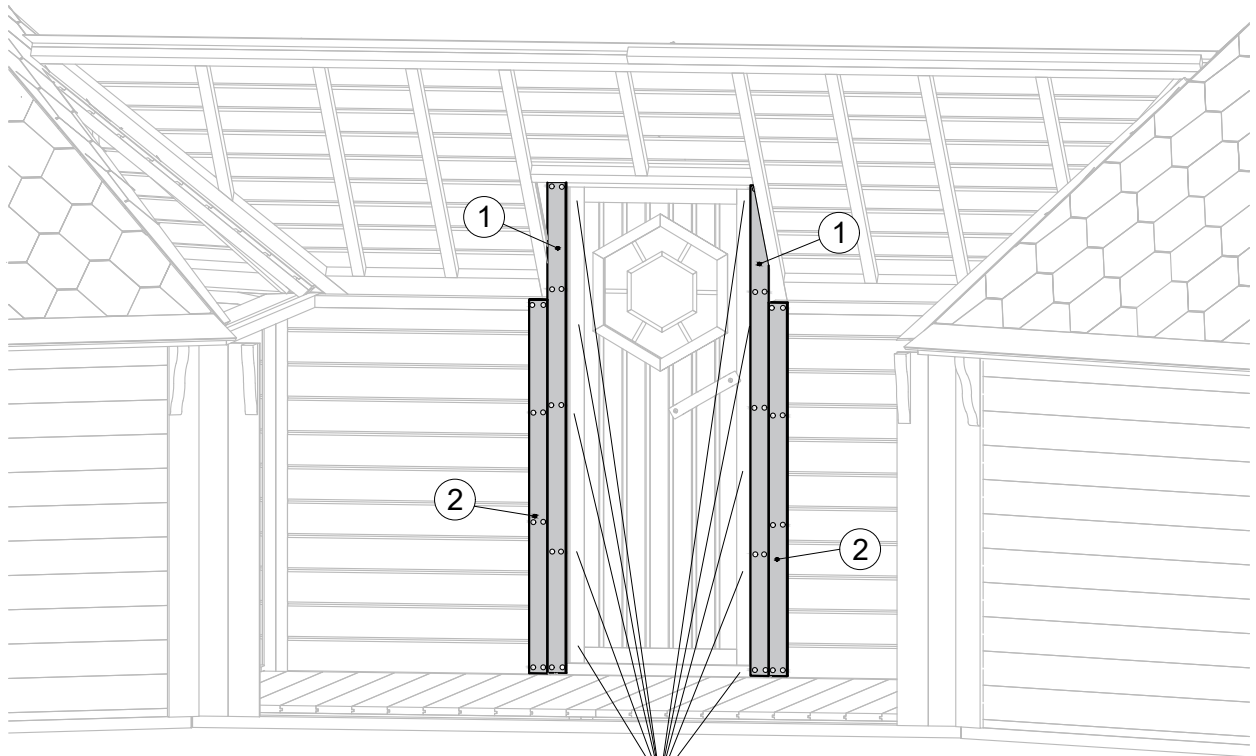
① x2
M-18x70x1624
or
M-18x70x1754
or
M-18x70x1884



② x2
M-18x70x1150
or
M-18x70x1280
or
M-18x70x1410




③ x32
T-GC-3.5x45

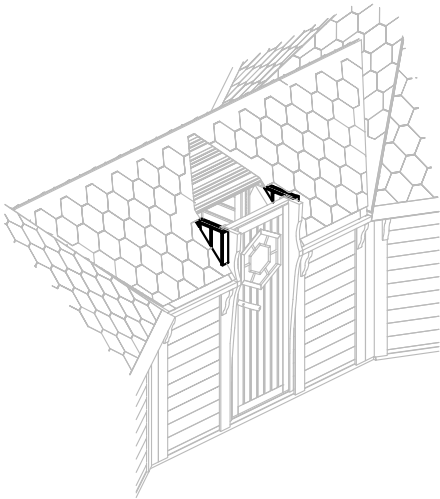


③ x32 

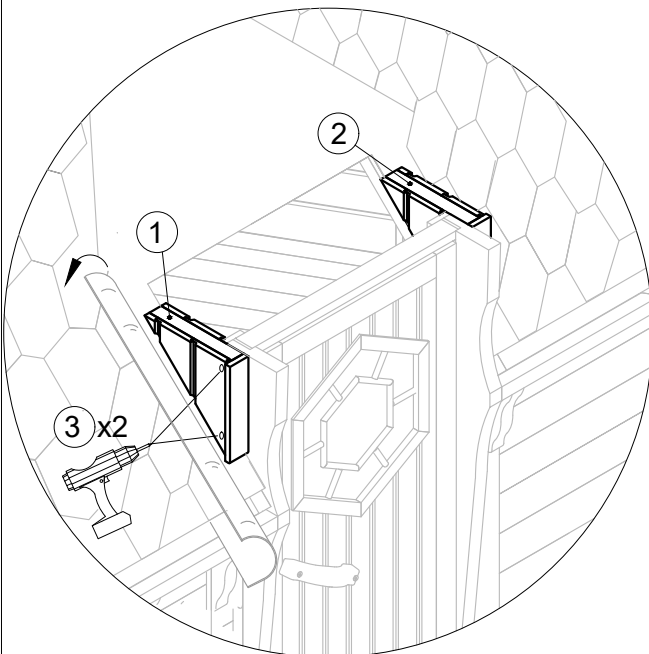
13. Corridor ENTRANCE ASSEMBLY

782mm
standard door

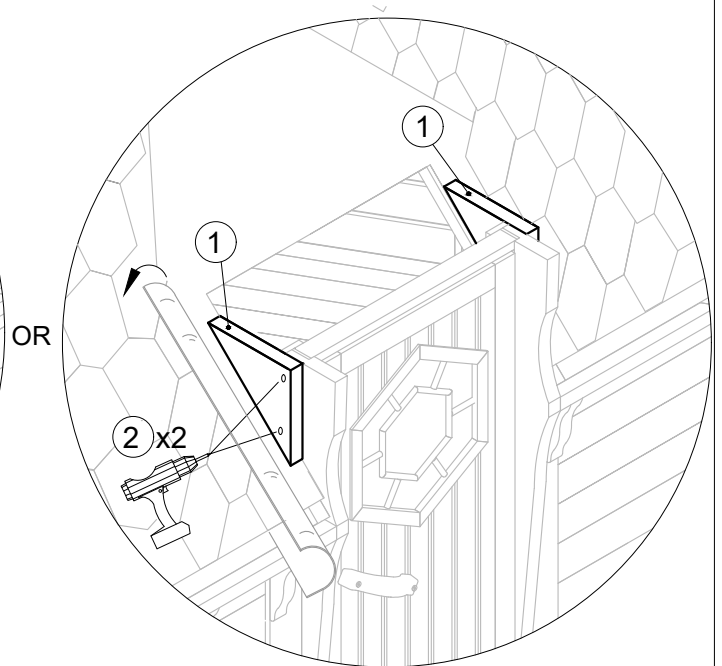
1070mm
disabled door



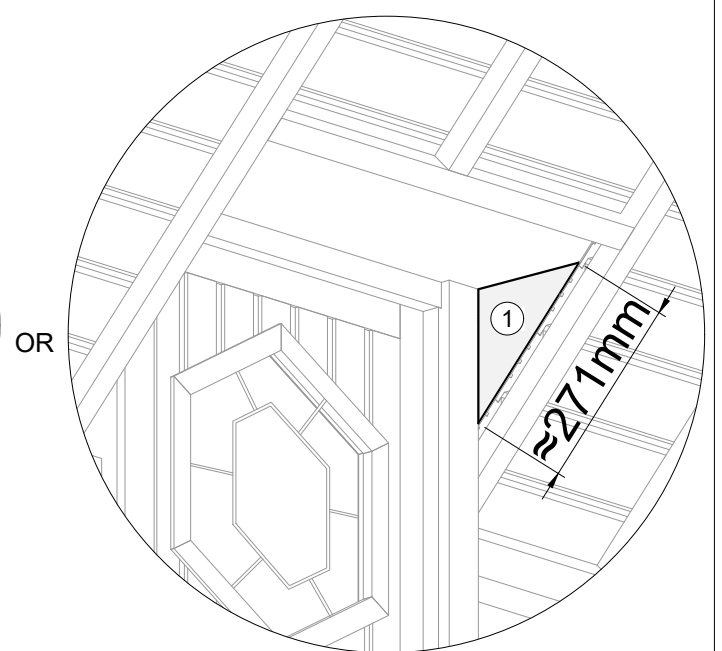
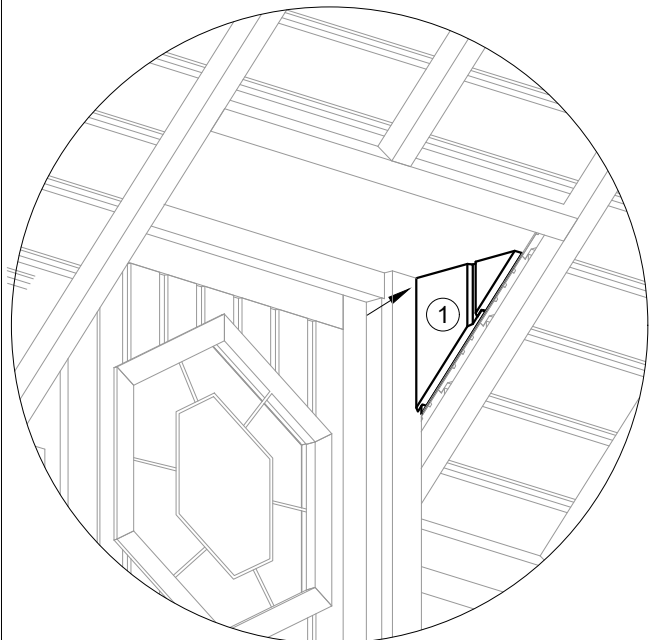
- ① x1
GR-trikamp-313x331-(k)
- OR
- ① x2
M-45X136X271-F
- ② x1
GR-trikamp-313x331-(d)
- ③ x4
T-GC-5x80



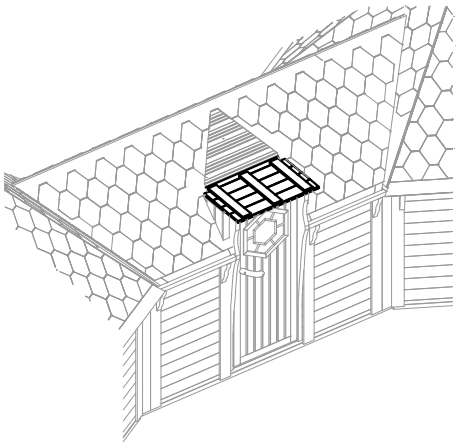
782mm
standard door



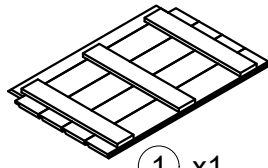
1070mm
disabled door



13.1 Corridor ENTRANCE ASSEMBLY



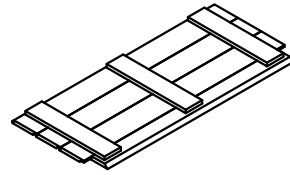
782mm
standard door



① x1

GR-lubos-636x939

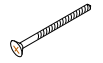
1070mm
disabled door



① x1

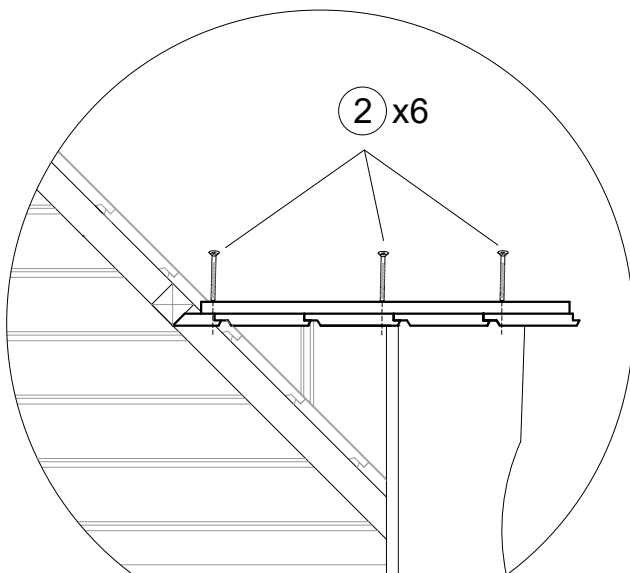
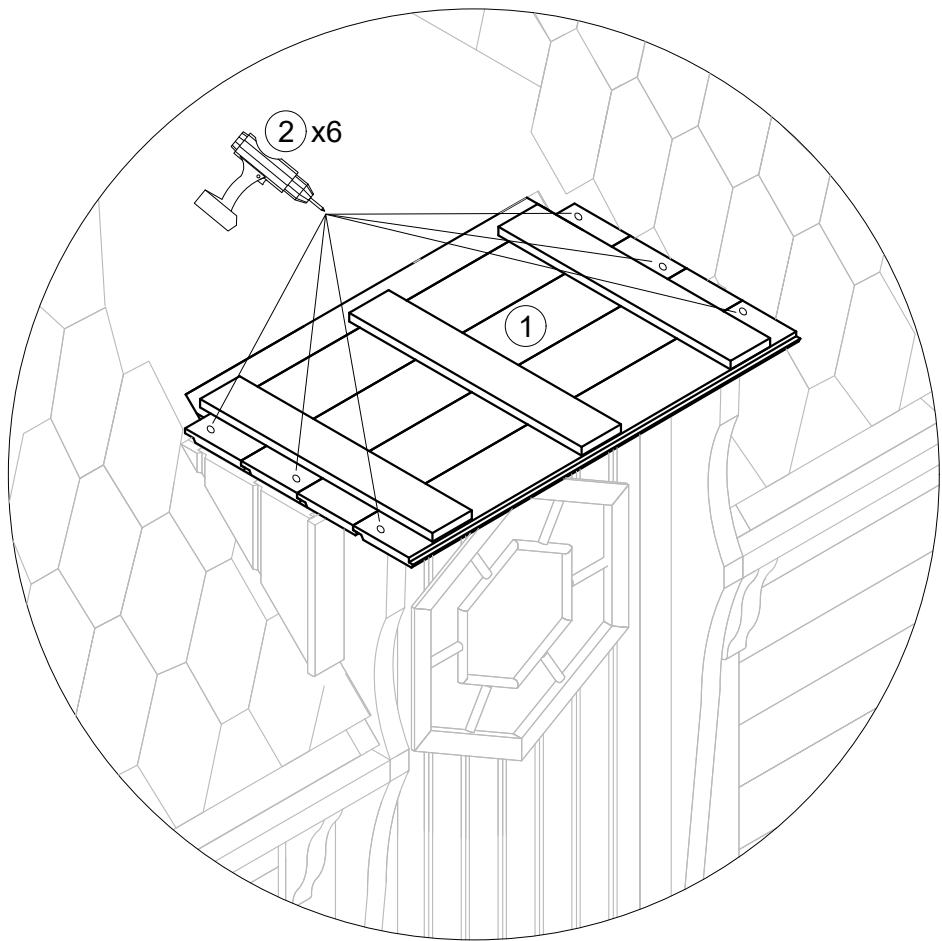
GR-lubos-507x1159

OR

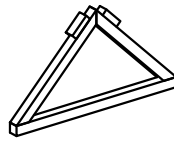
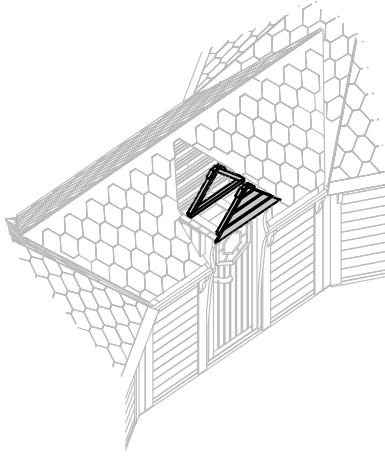


② x6

T-GC-4x70

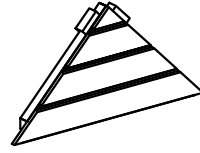


13.2 Corridor ENTRANCE ASSEMBLY



① x1

GR-Stog-trik-453x815
or
GR-Stog-trik-563x1035



② x1

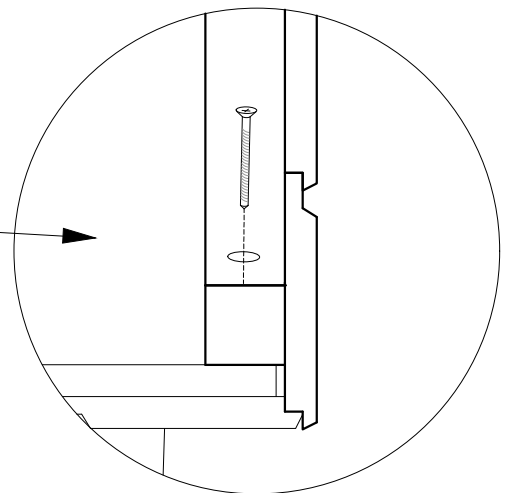
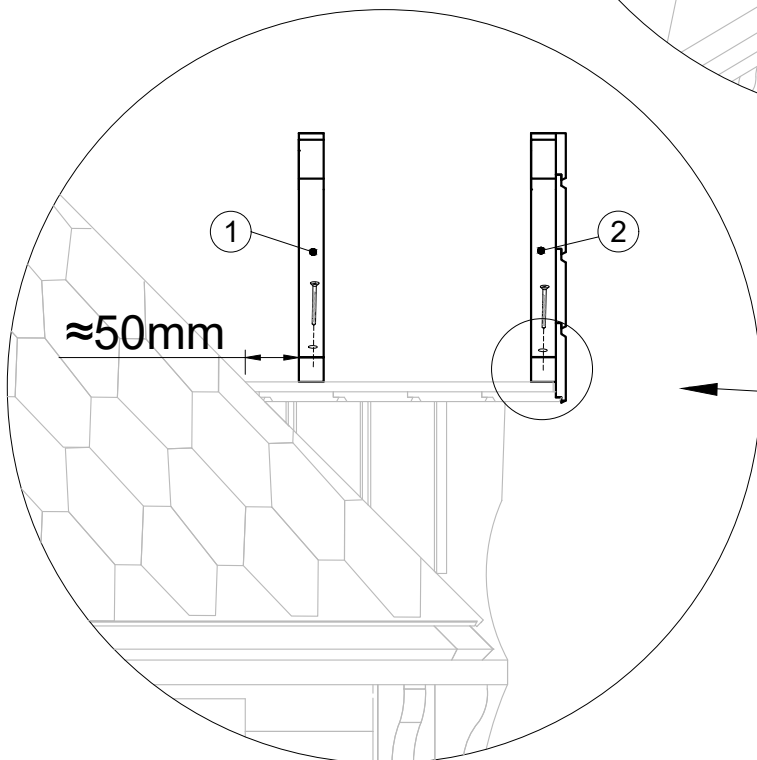
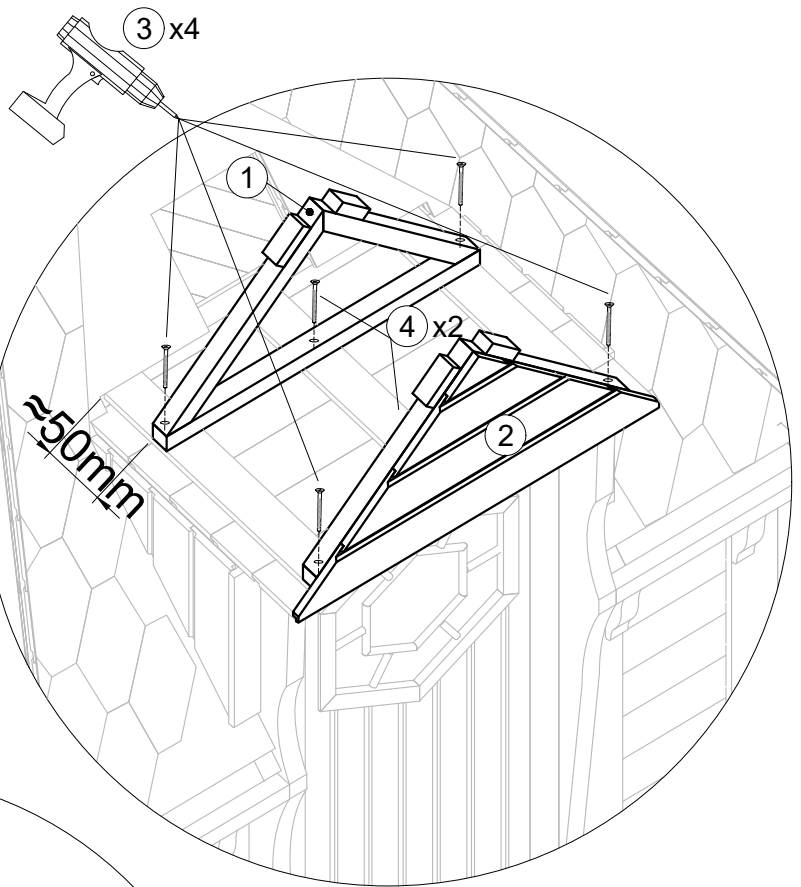
GR-Pr-trik-491x981
or
GR-Pr-trik-601x1202



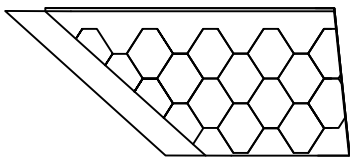
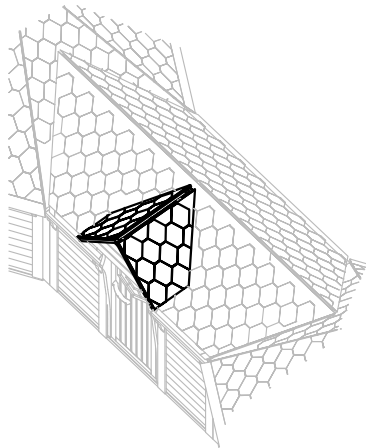
③ x4
T-GC-5x100



④ x2
T-GC-4x70

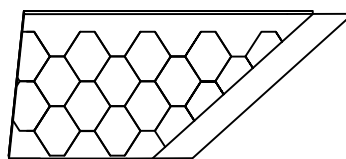


13.3 Corridor ENTRANCE ASSEMBLY



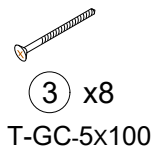
① x1

GR-Stog-845x1090-(k)
or
GR-Stog-1001x1070-(k)



② x1

GR-Stog-845x1090-(d)
or
GR-Stog-1001x1070-(d)

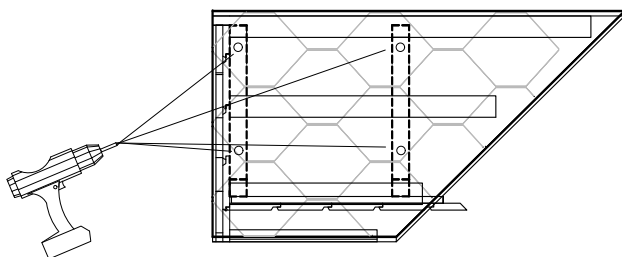
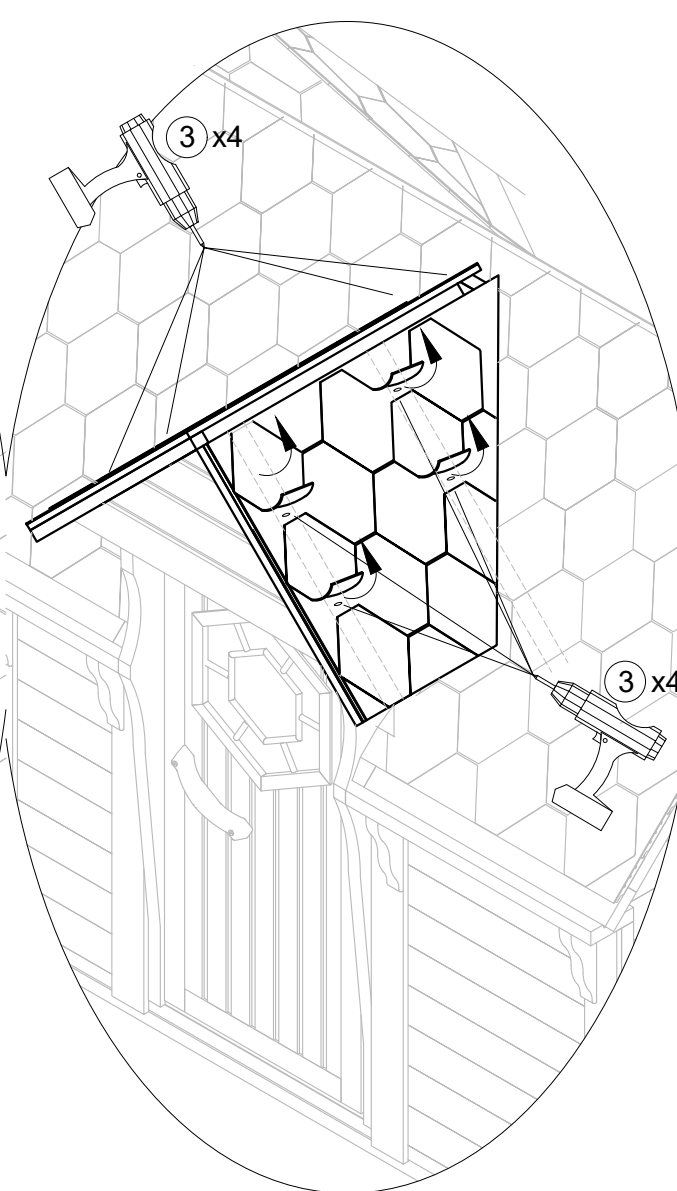
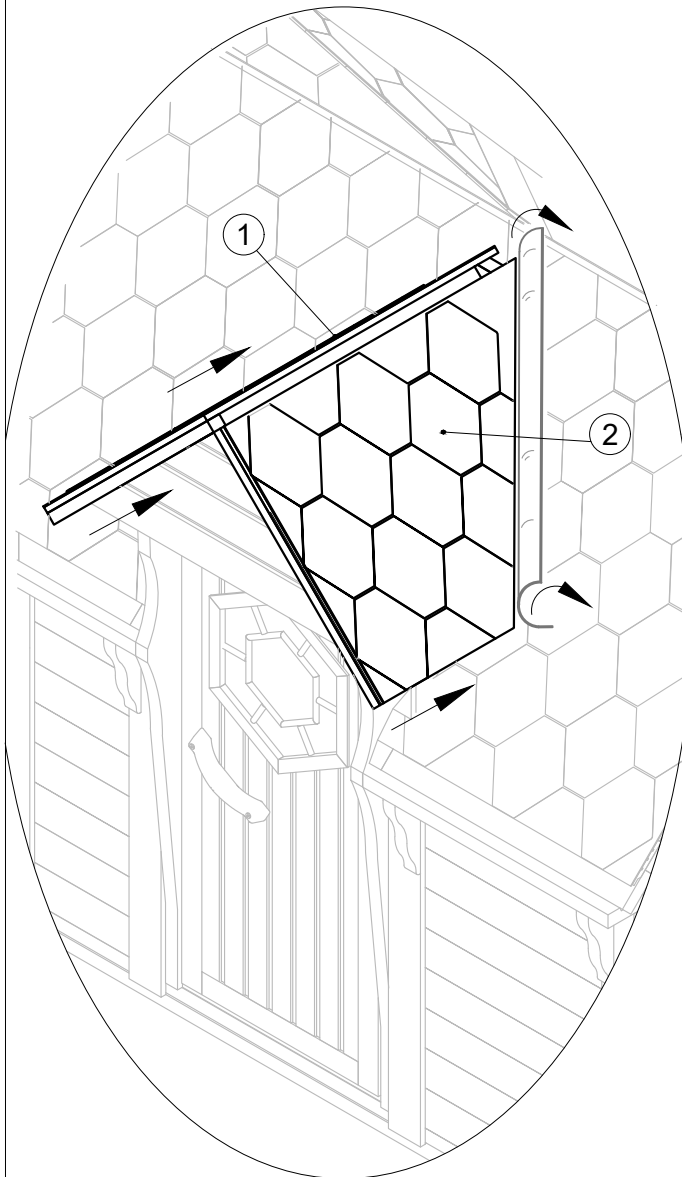


③ x8

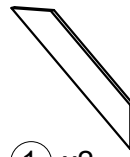
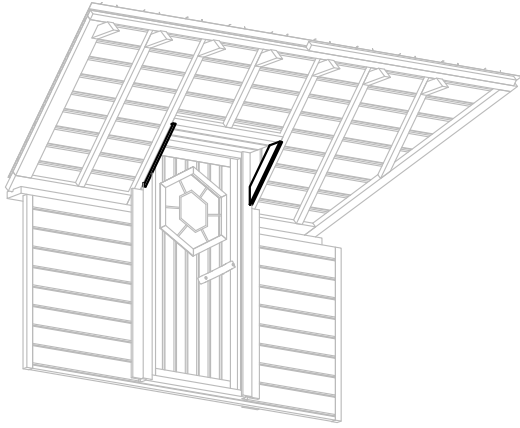
T-GC-5x100

1 Step

2 Step



13.4 Corridor ENTRANCE ASSEMBLY



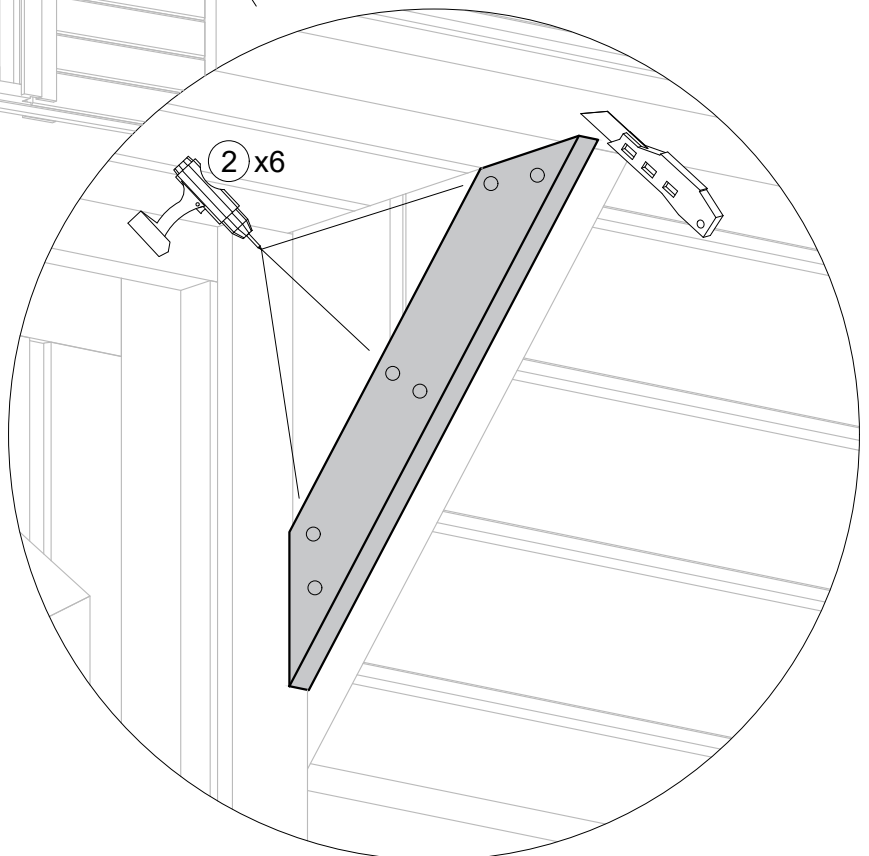
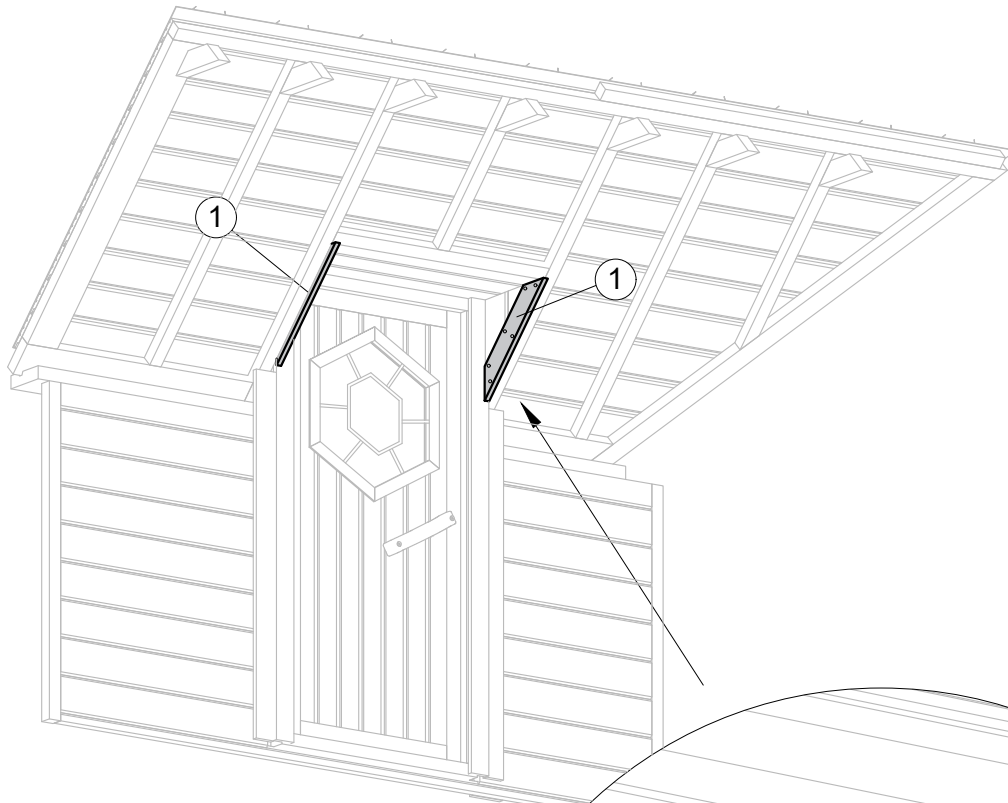
① x2

M-18x83x488-F
or
M-18x95x318-F

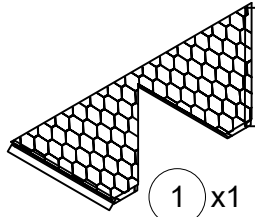
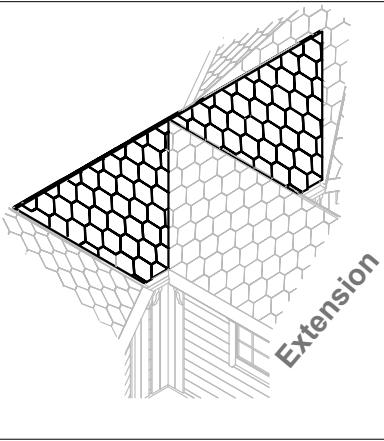


② x12

T-GC-3.5x45



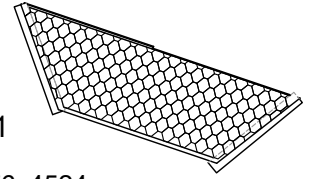
14 Corridor ROOF WITH EXTENSION



Korid-StogEx-1376x4524
or
Korid-I-StogEx-1376x4524

2 x1

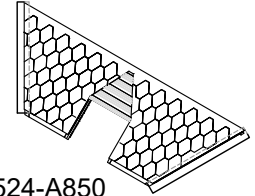
Korid-Stog-1376x4524
or
Korid-I-Stog-1376x4524



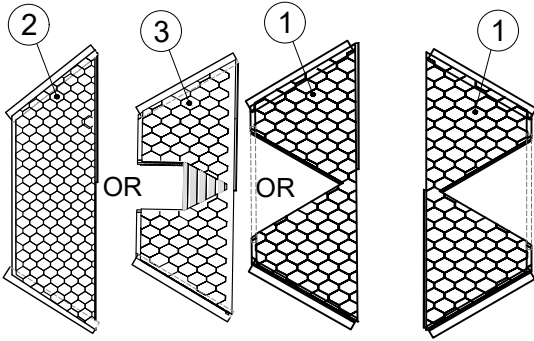
OR

3 x1

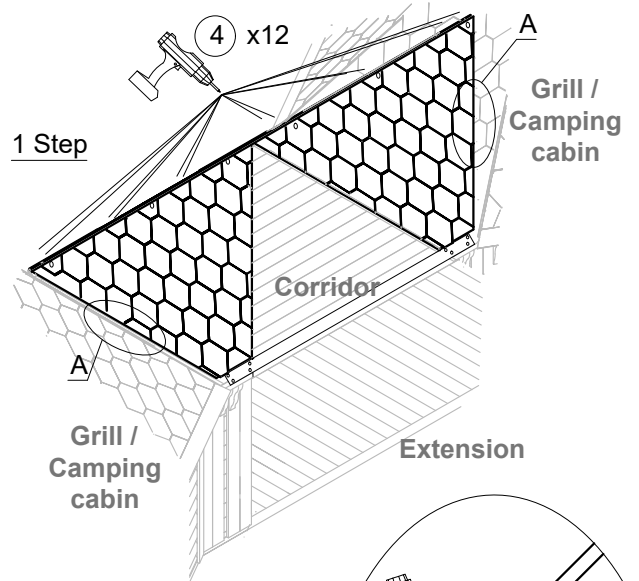
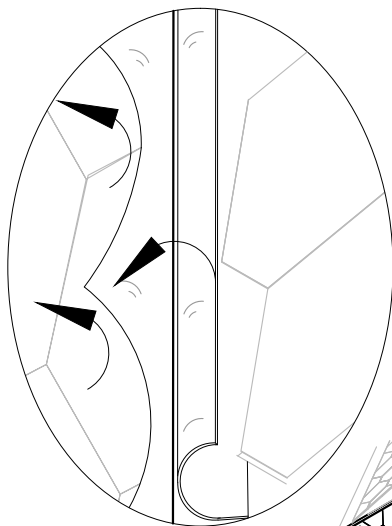
Korid-StogD-1376x4524-A850
or
Korid-I-StogD-1376x4524-A850
or
Korid-StogD-1376x4524-A1070
or
Korid-StogD-1376x4524-A1070



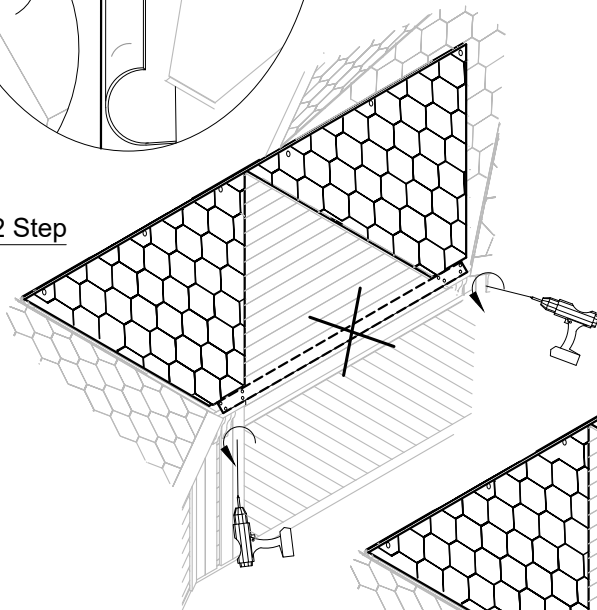
T-GC-5x80



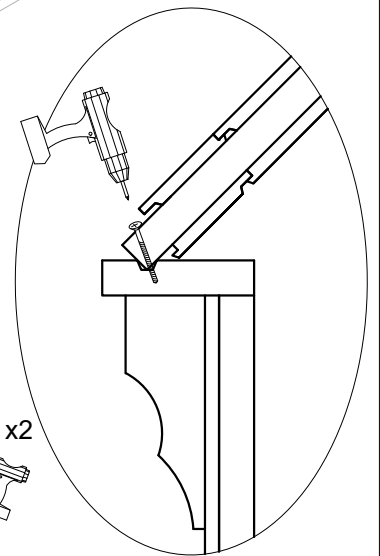
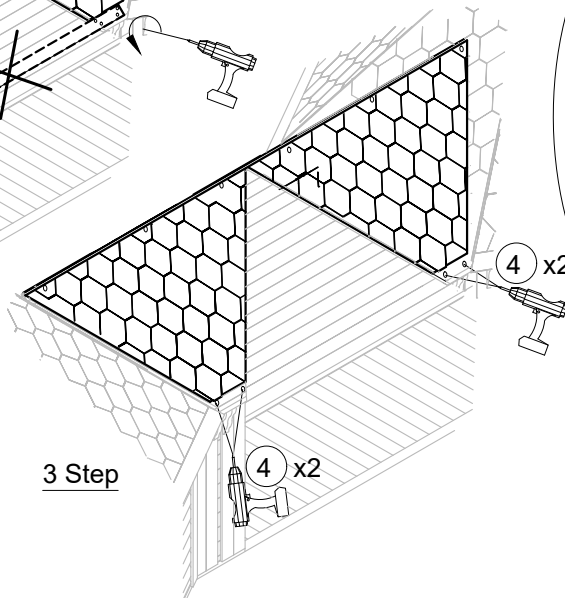
A



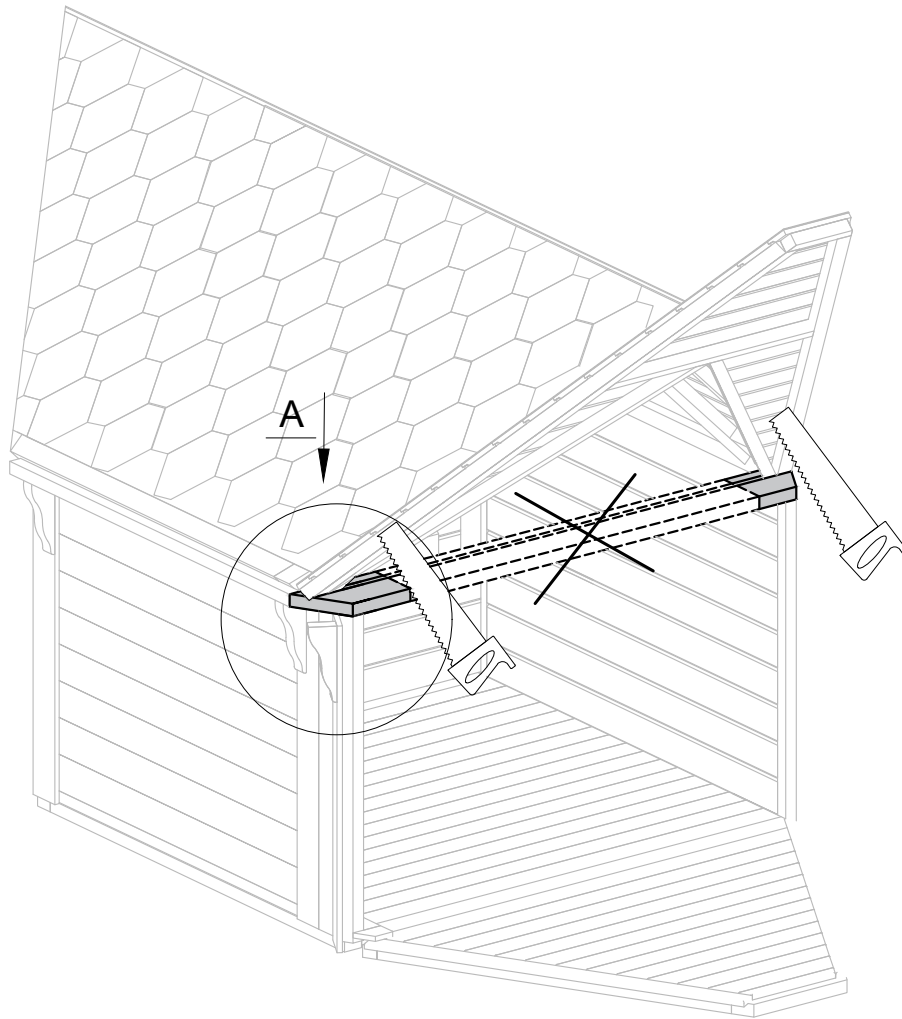
2 Step



3 Step



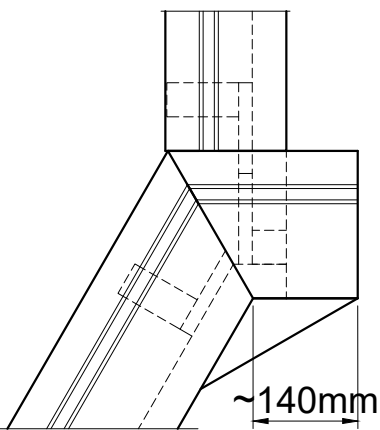
15. Corridor



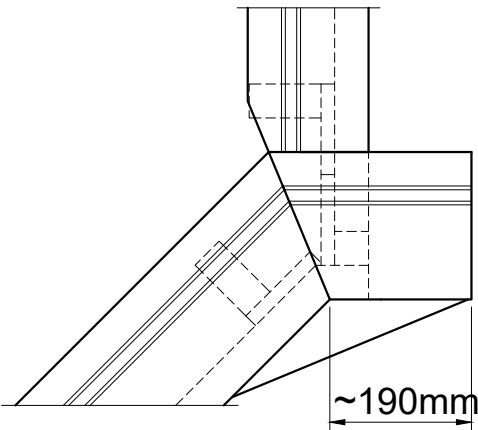
A

A

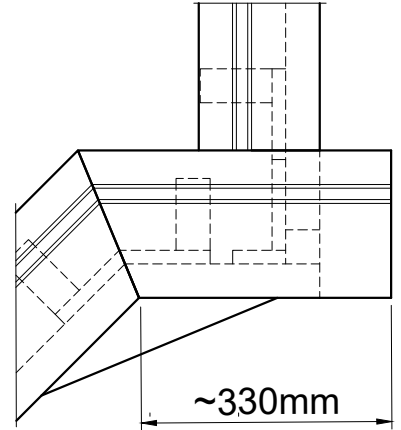
A



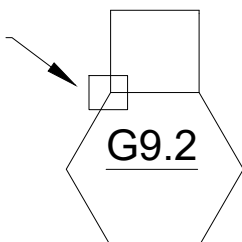
~140mm



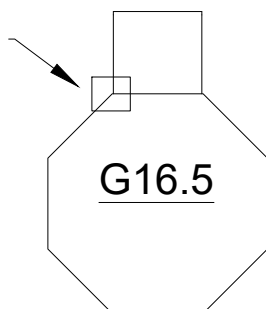
~190mm



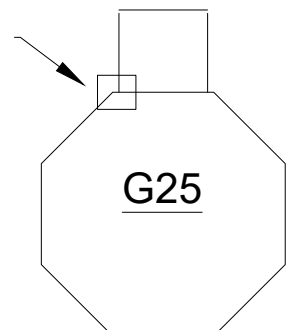
~330mm



G9.2

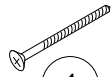


G16.5



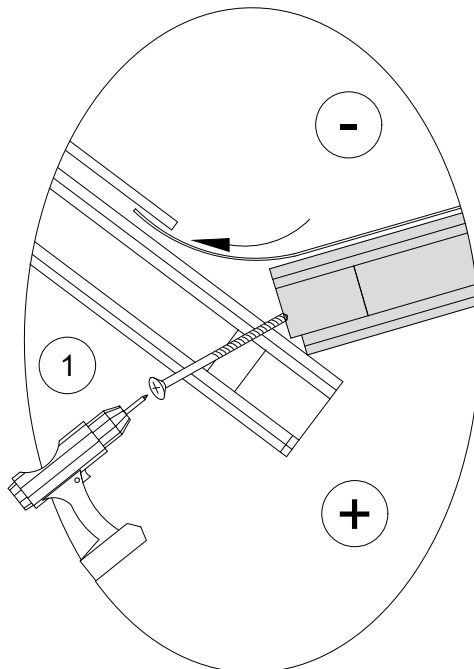
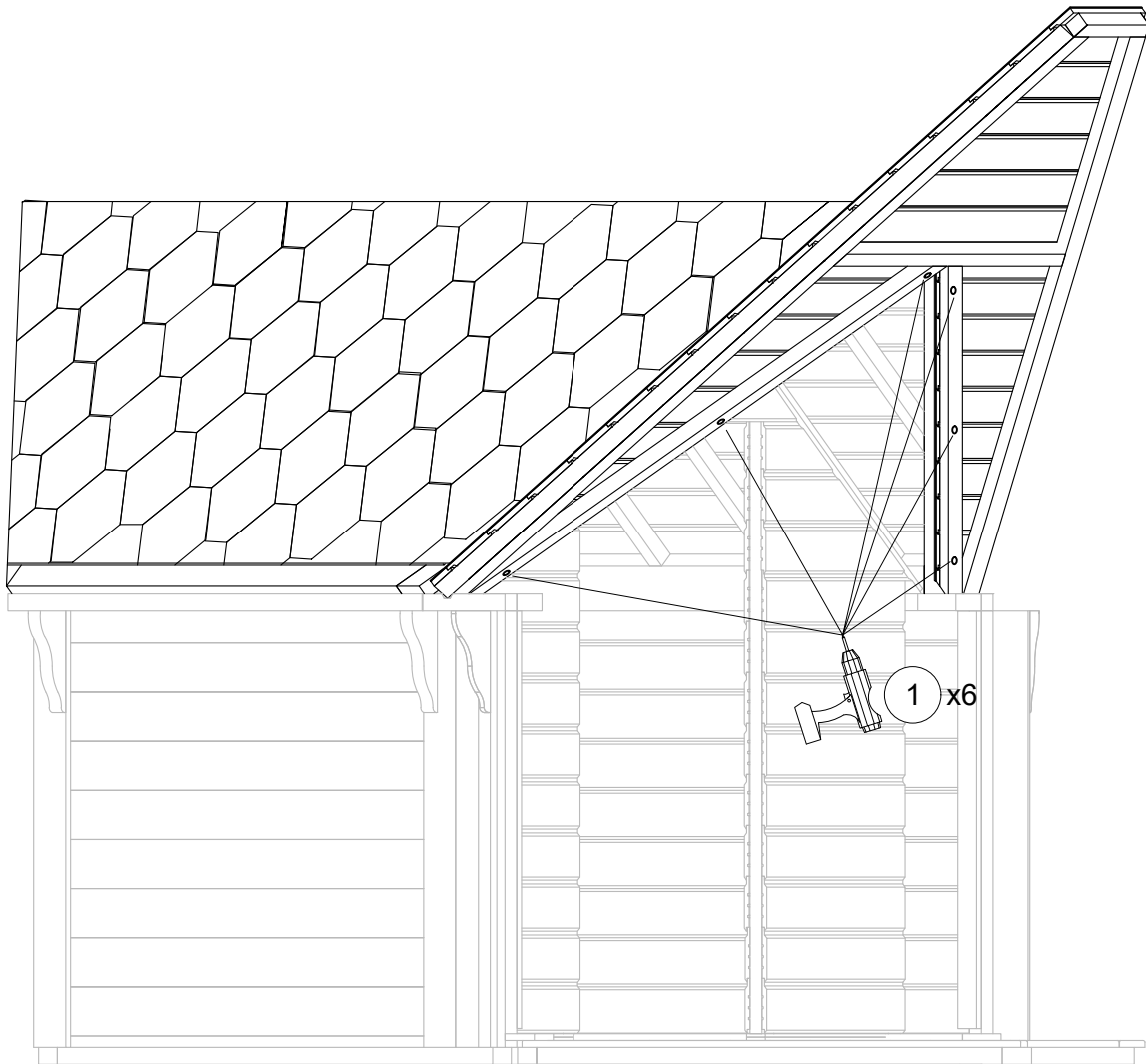
G25

16. Corridor ROOF FIX

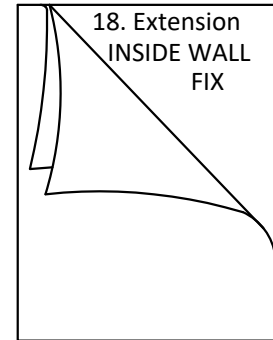
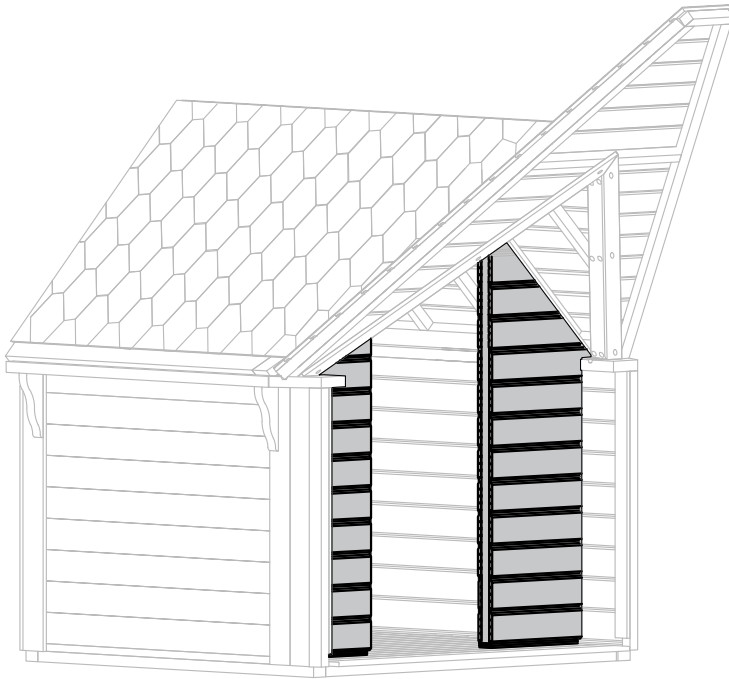


1 x6

T-GC-5x100

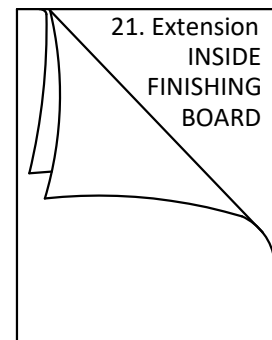
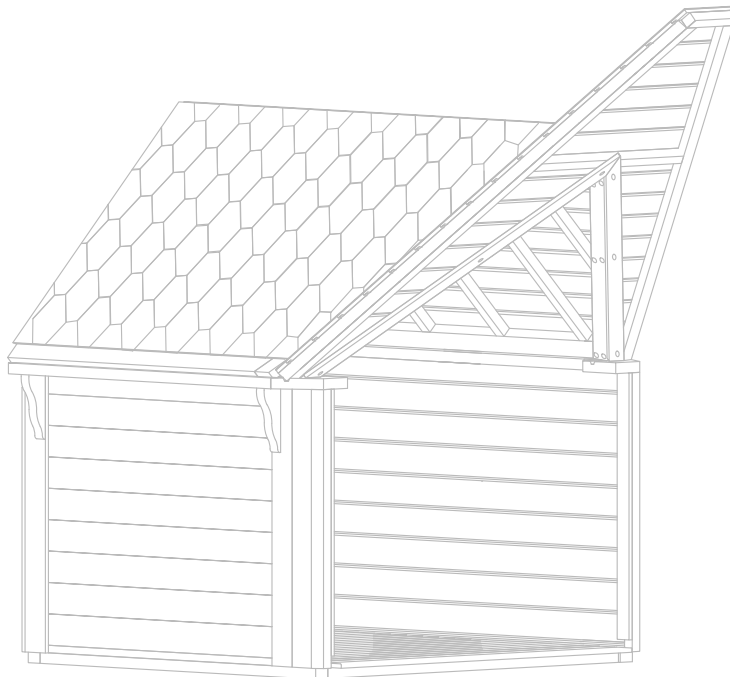


17. Corridor



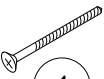
WITH INSIDE WALL

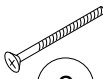
OR



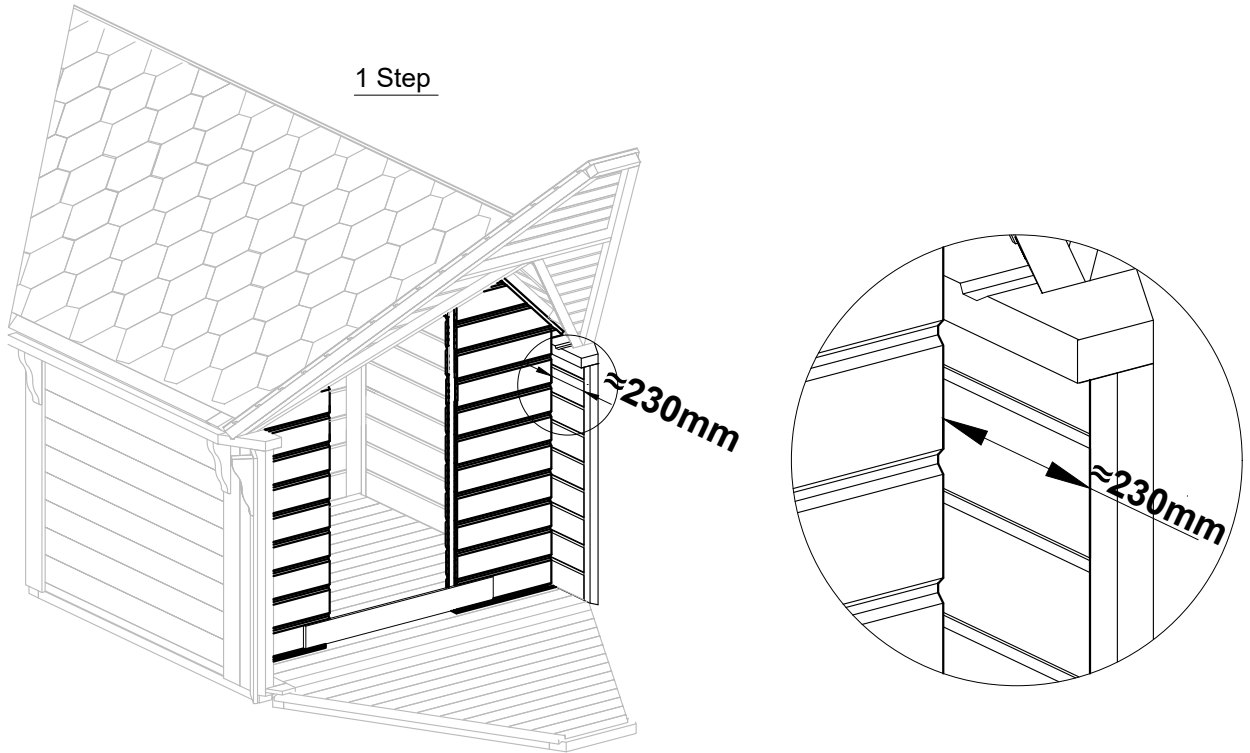
WITHOUT INSIDE WALL

18. Corridor INSIDE WALL FIX

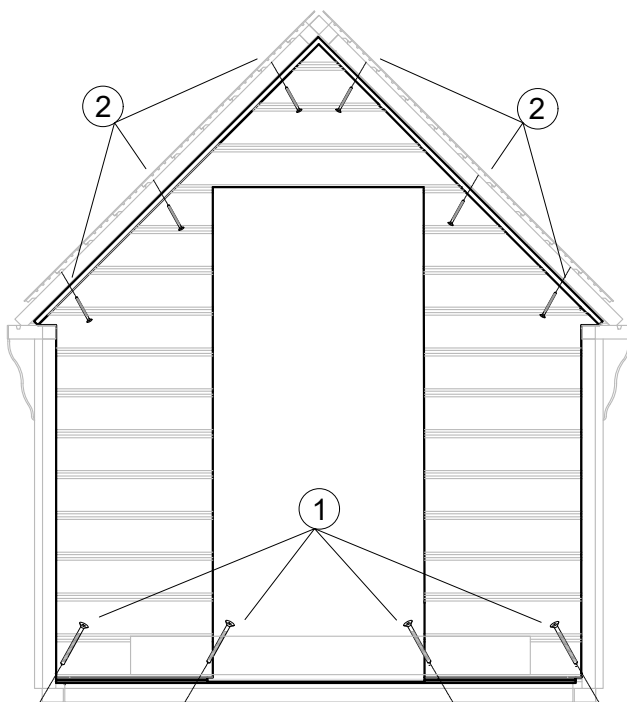

① x4
T-GC-5x100


② x6
T-GC-4x70

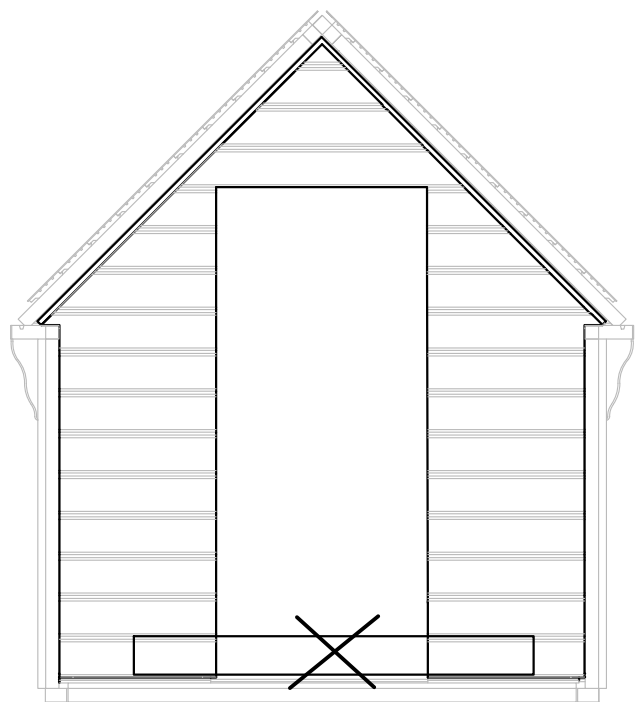
1 Step



2 Step



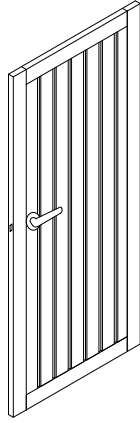
3 Step



19. Corridor INSIDE DOOR

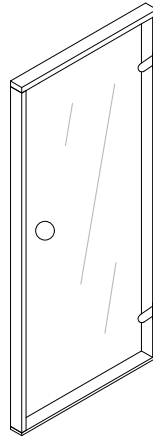
① x1

PUS00335
or
PUS00338
or
PUS00336
or
PUS00339



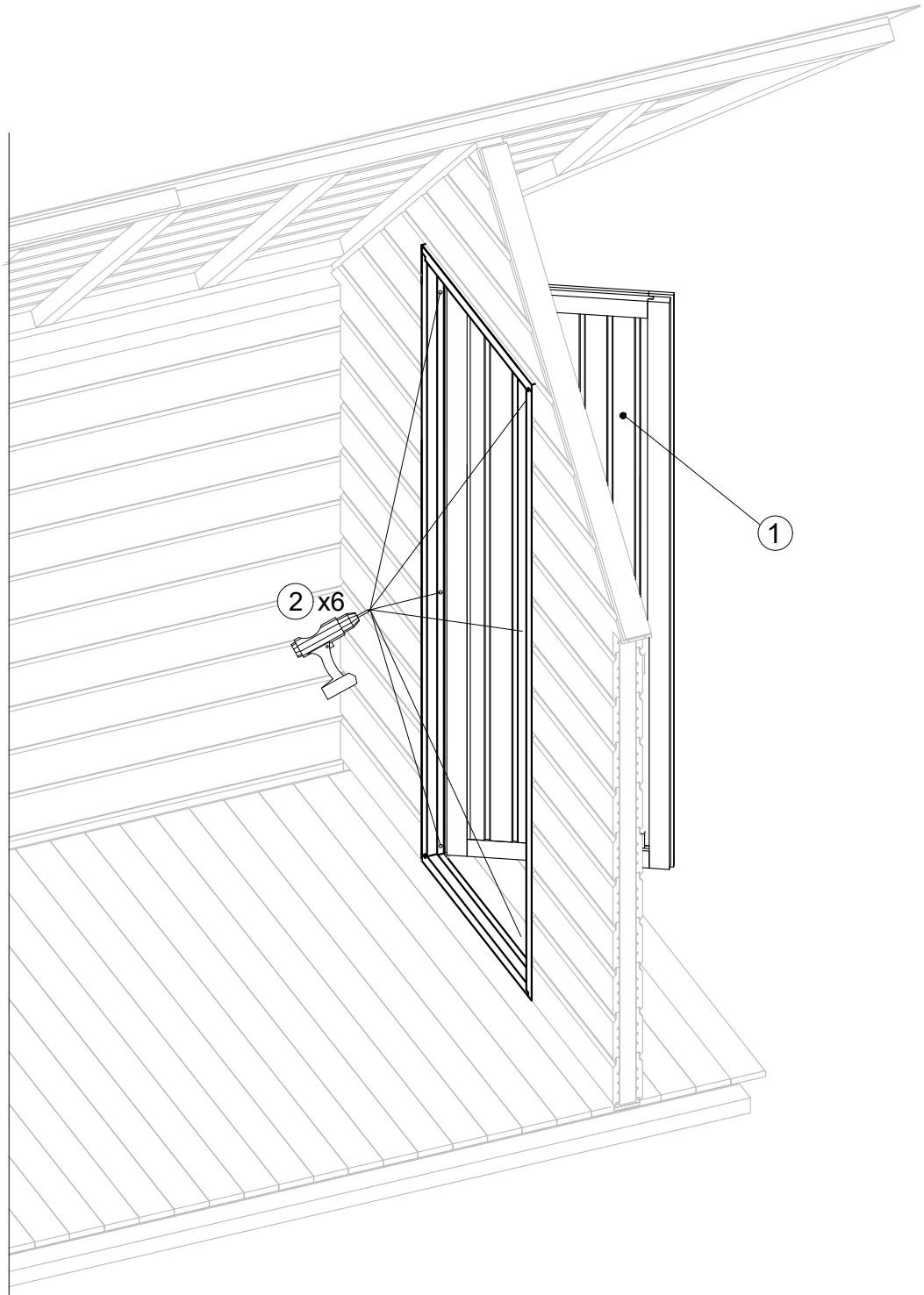
① x1

PUS00232
or
PUS00233



② x6

T-GC-5x100



20. Corridor INSIDE WALL FINISHING BOARD

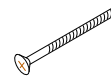


① x4

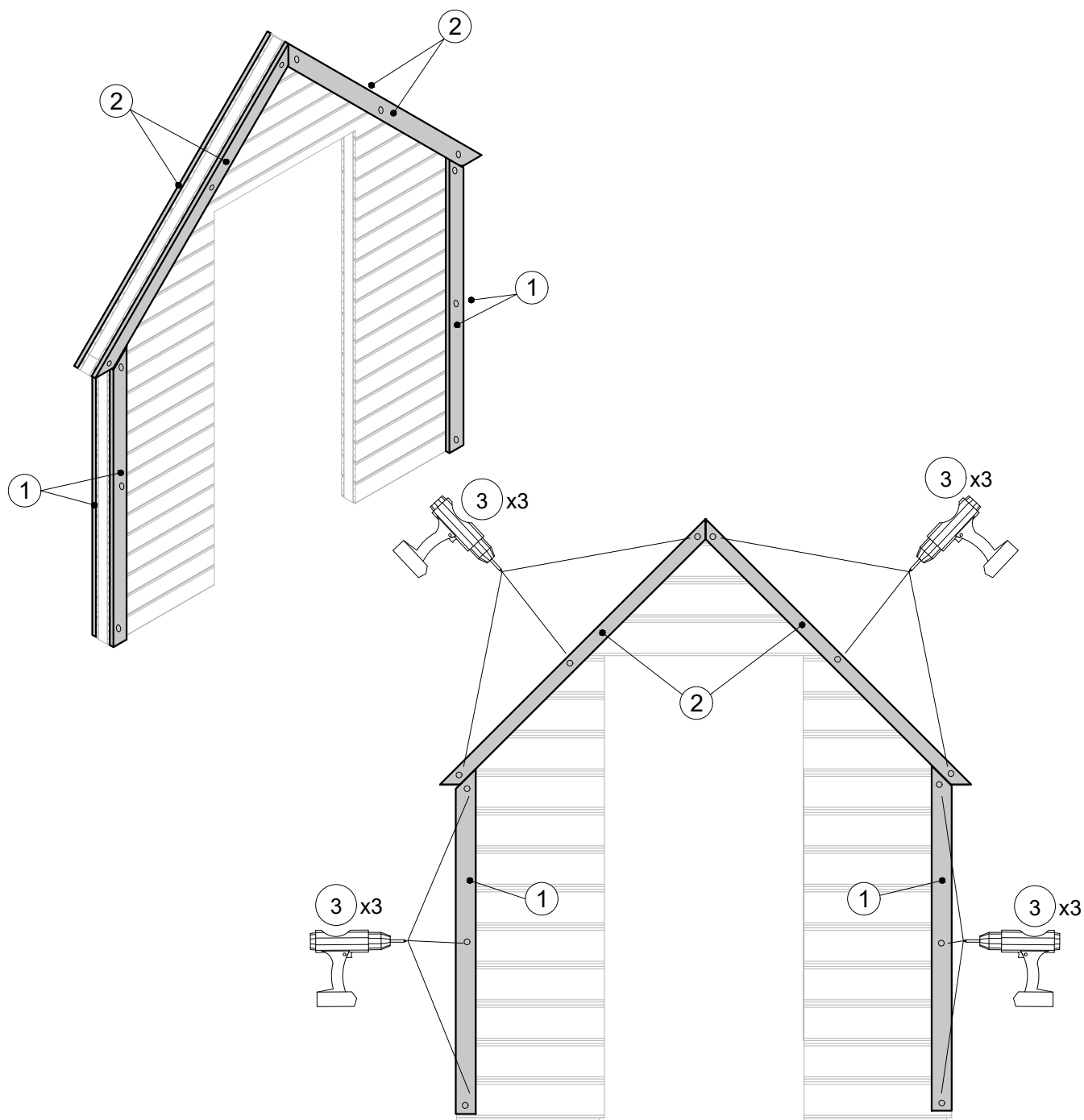
M-18x70x1210-F
or
M-18x70x1340-F
or
M-18x70x1470-F

② x4

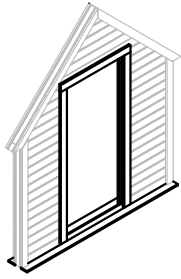
M-18x70x1350-F
or
M-18x50x1310-F



③ x24
T-GC-3.5x45

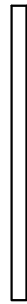


20.1 Corridor INSIDE WALL FINISHING BOARD



① x2

M-18x70x1599



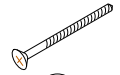
② x4

M-18x70x1640
or
M-18x70x1490
or
M-18x70x1840
or
M-18x70x1620



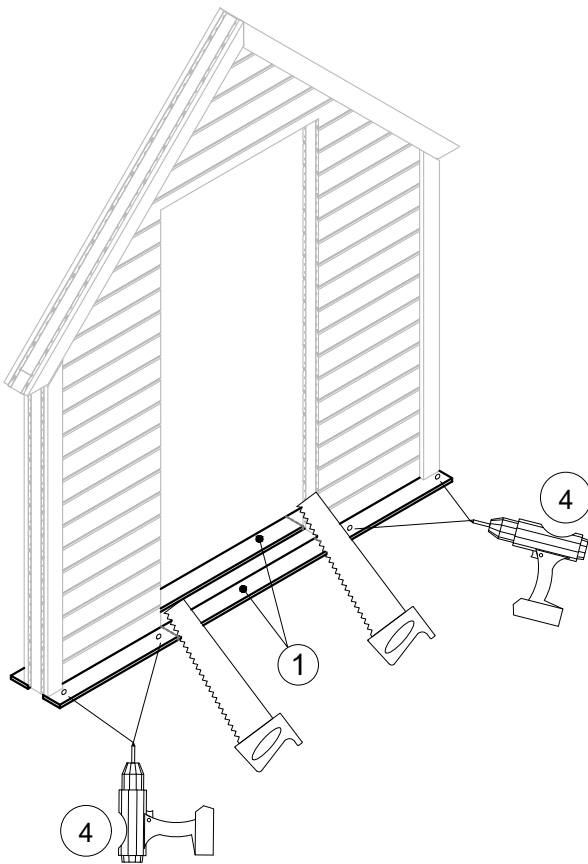
③ x2

M-18x70x810
or
M-18x70x1120

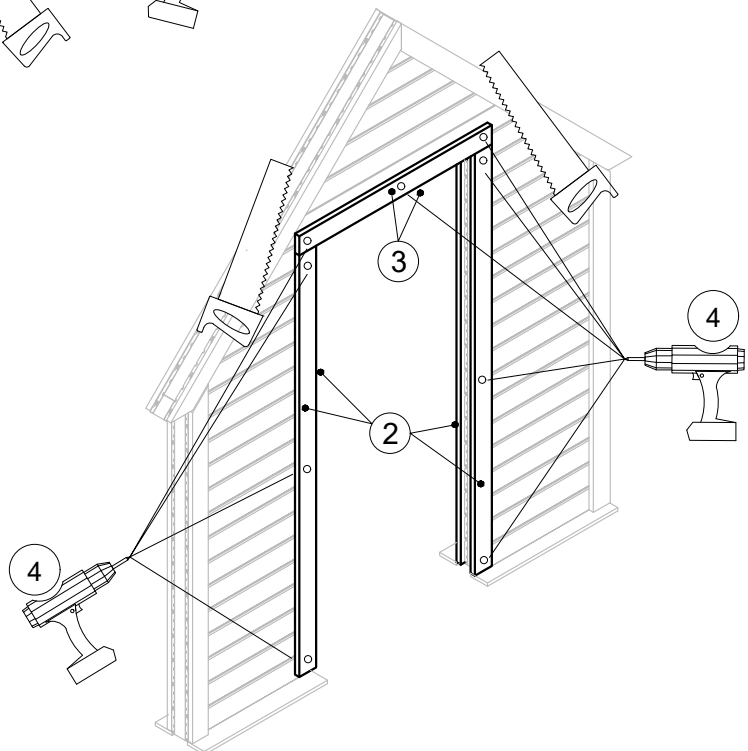


④ x46
T-GC-3.5x45

1 Step



2 Step



21. Corridor INSIDE FINISHING BOARD

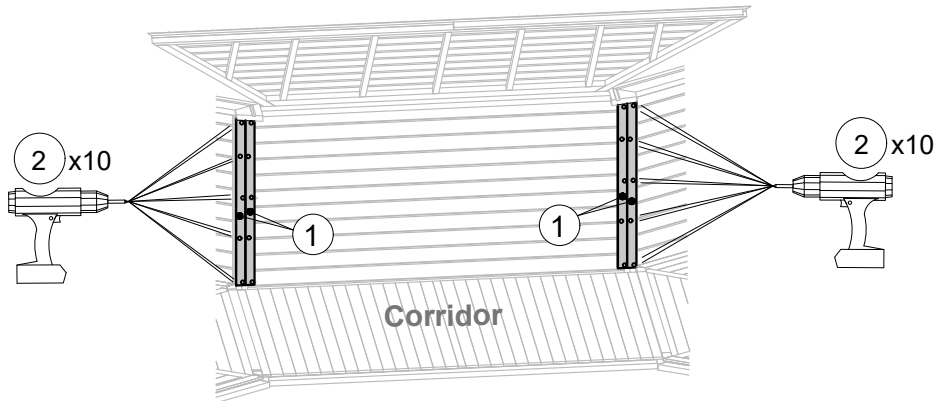


① x8 or (x12) or (x16)

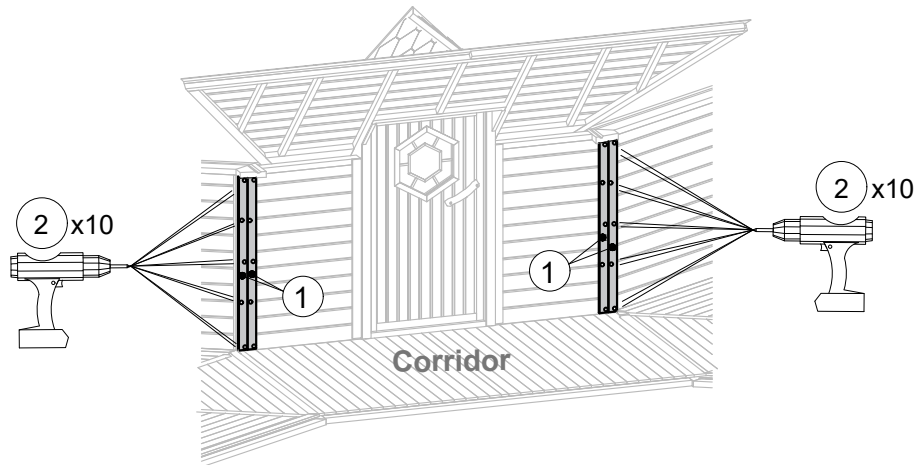
M-18x70x1105
or
M-18x70x1235
or
M-18x70x1365



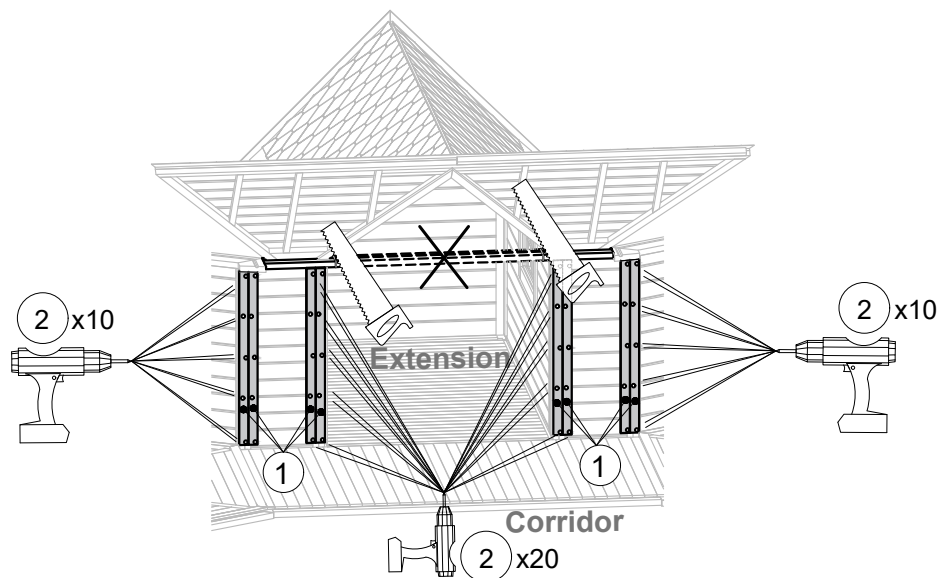
② x80
T-GC-3.5x45



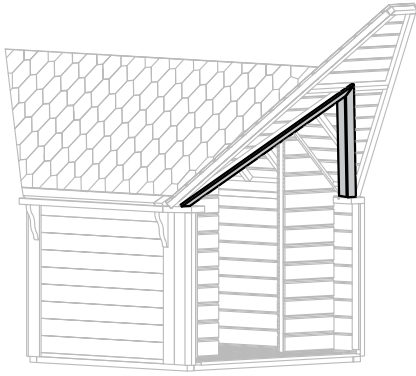
OR



OR



22. Corridor INSIDE FINISHING BOARD



① x4

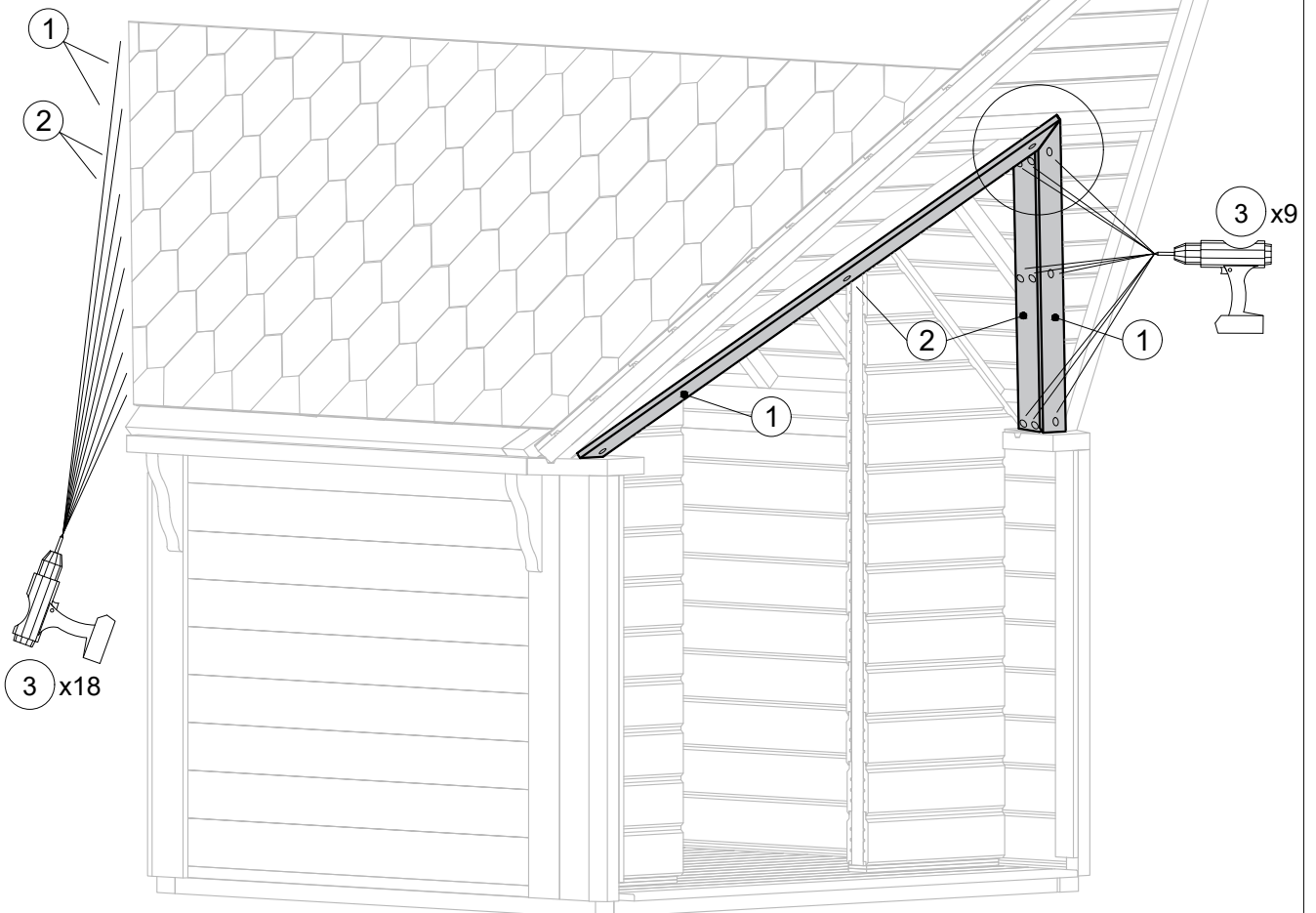
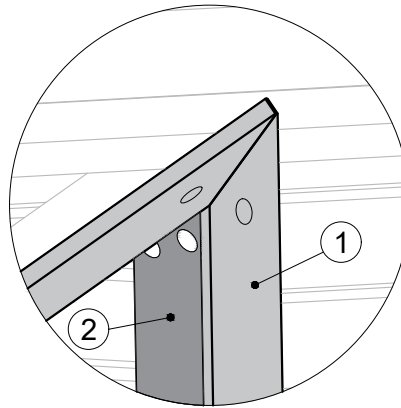
M-18x70x1580-F
or
M-18x70x1565-F

② x4

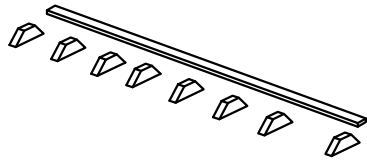
M-18x120x1610-F
or
M-18x120x1595-F



③ x36
T-GC-3.5x45



23. Corridor INSIDE FINISHING BOARD



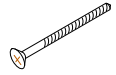
① x1

M-18x70x4500



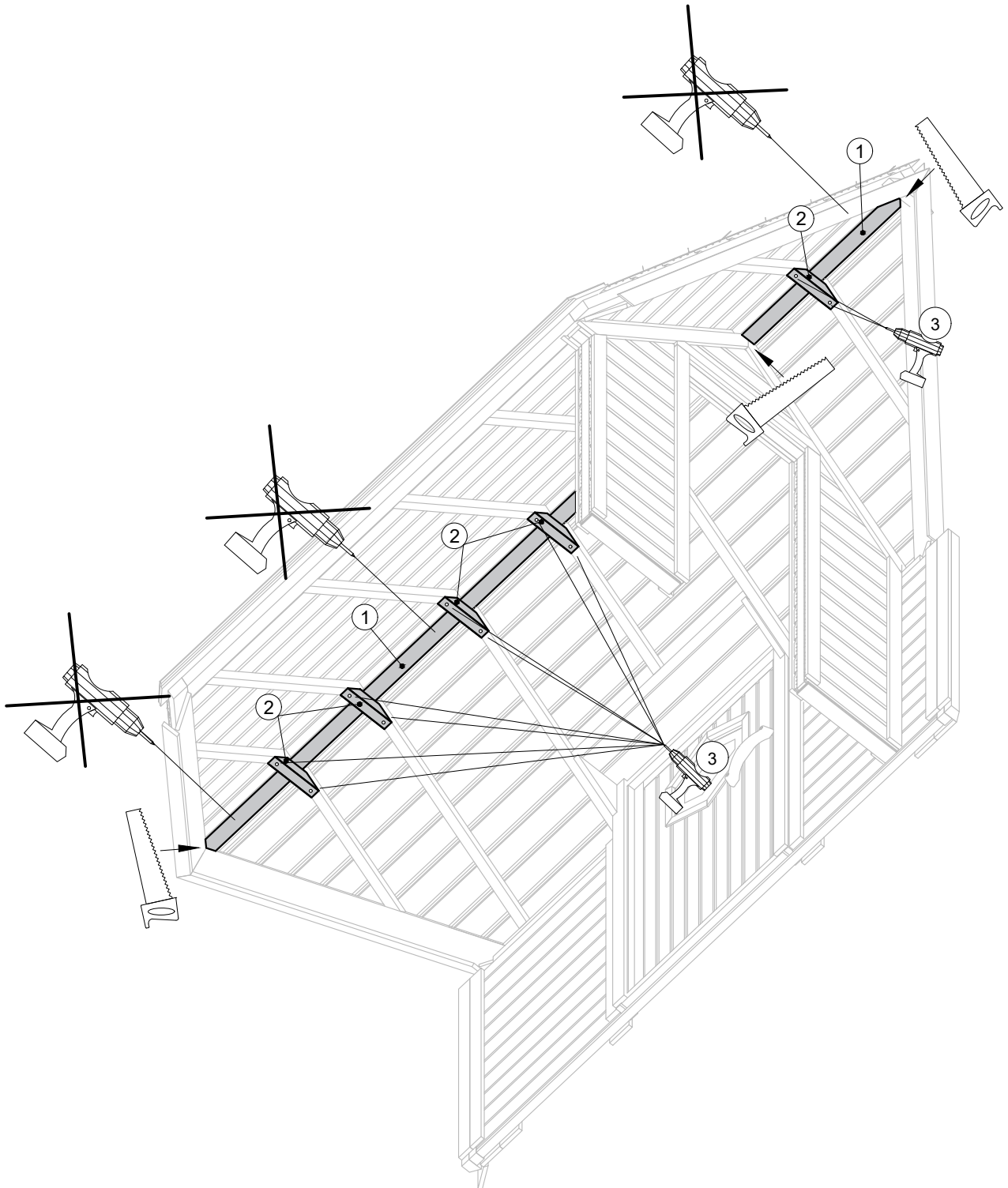
② x 11

M-45x70x250-F



③ x 22

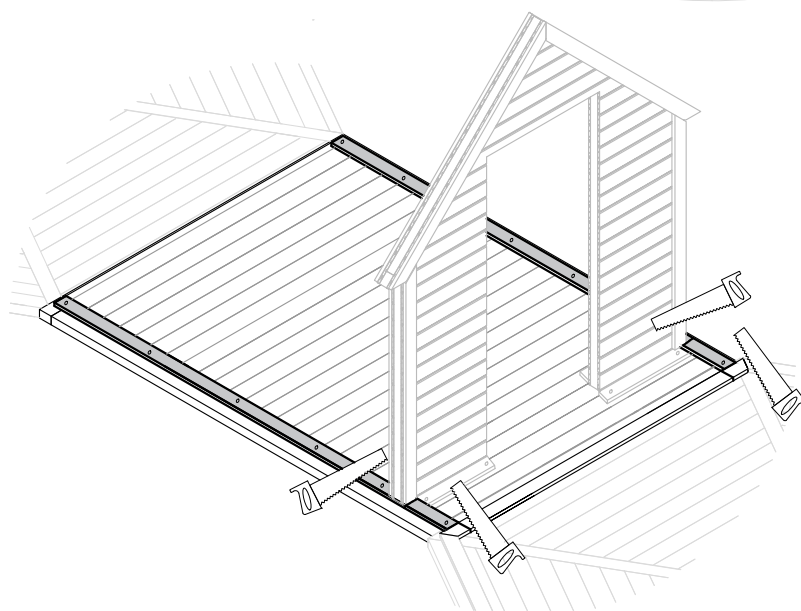
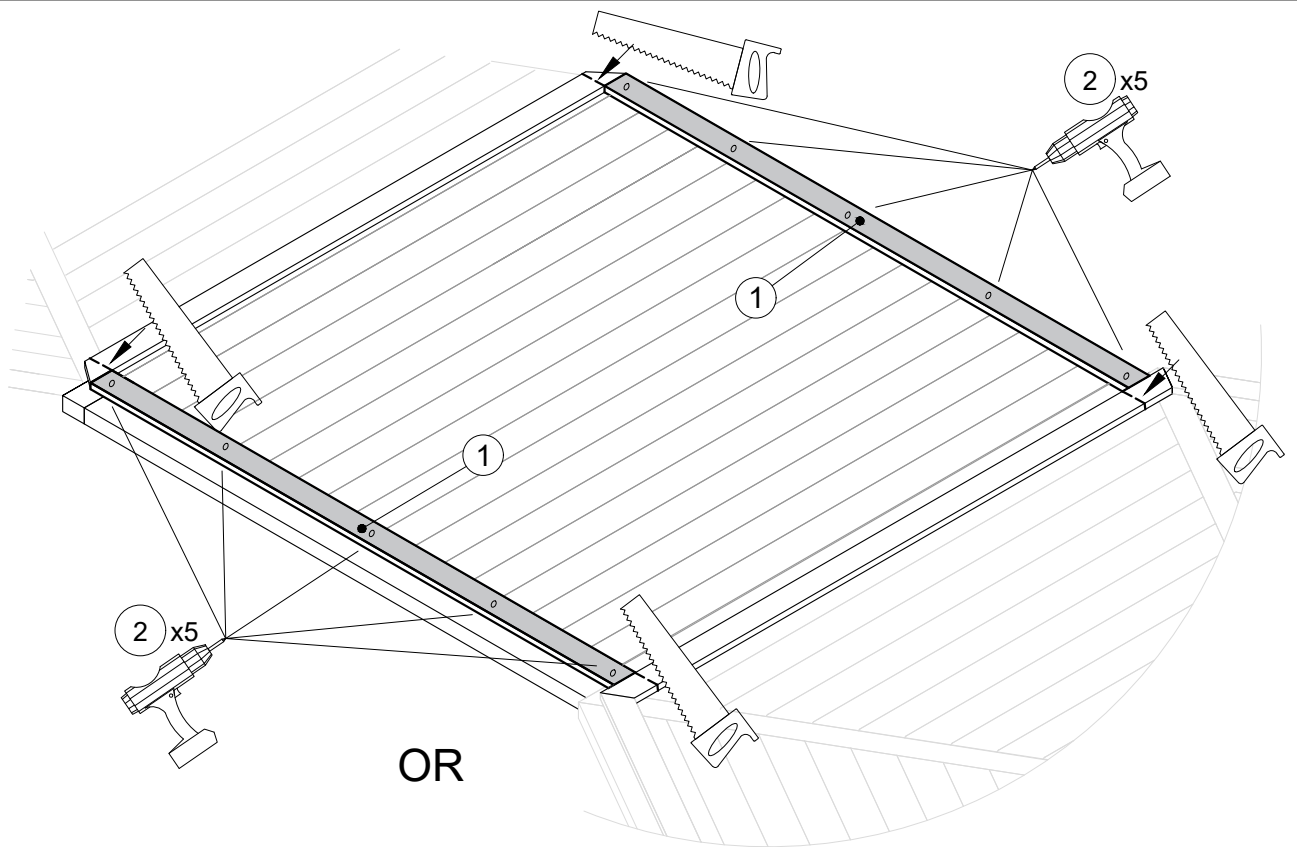
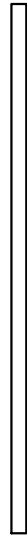
T-GC-5x80



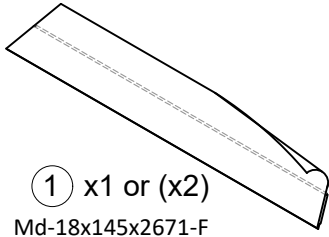
24. Corridor FLOOR FINISHING BOARD

① x2
M-18x70x3043

② x10
T-GC-3.5x45

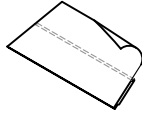


25. Corridor ROOF FINISHING

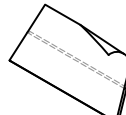


① x1 or (x2)
Md-18x145x2671-F

OR



② x2 or (x4)
Md-18x145x930-F(k)
or
Md-18x145x820-F(k)



③ x2 or (x4)
Md-18x145x930-F(d)
or
Md-18x145x820-F(d)

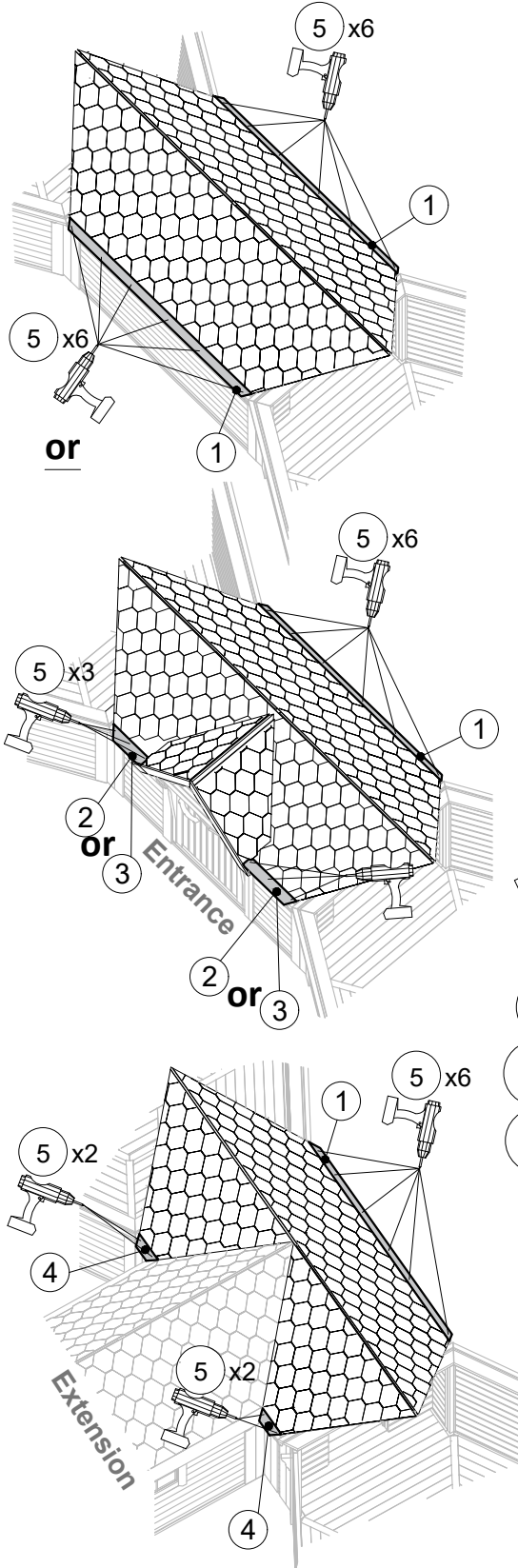
OR



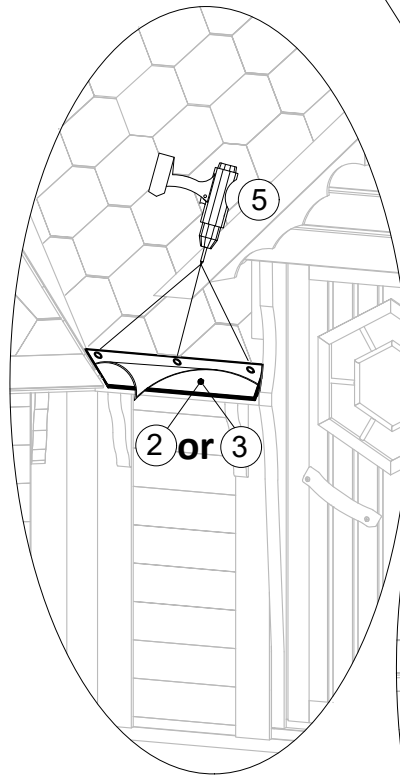
④ x2 or (x4)
Md-18x145x400-F



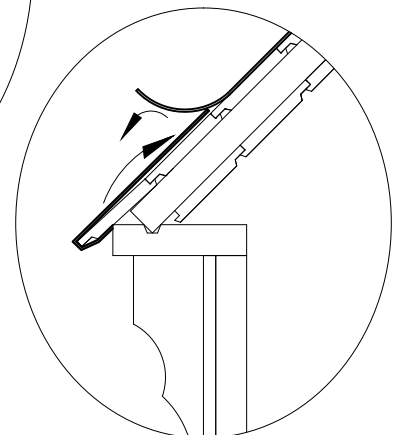
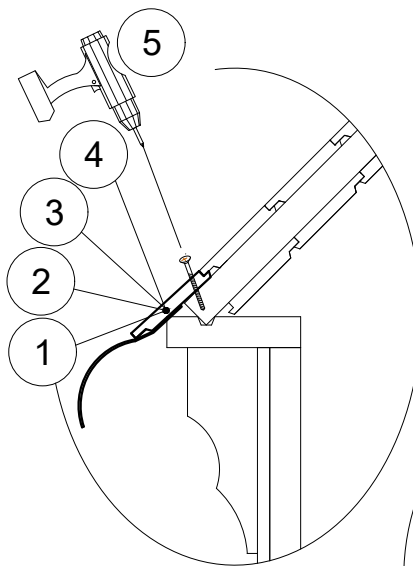
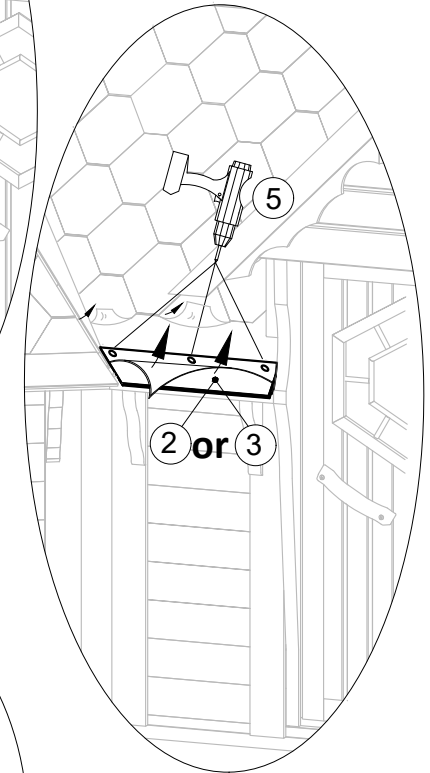
⑤ x12
T-BC-4x50



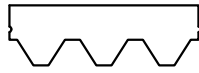
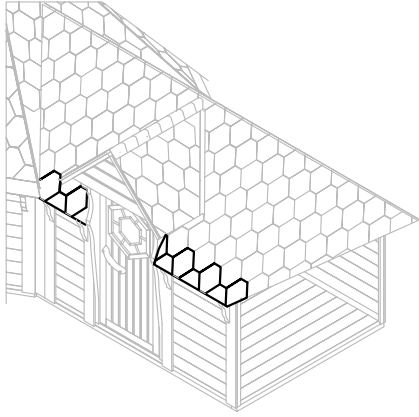
1 Step



2 Step

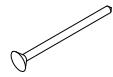


25.1 Corridor ROOF FINISHING



① x8

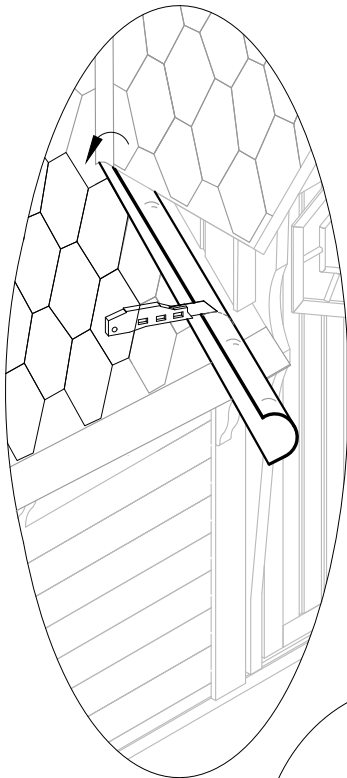
Bitumines-cerpes
-3x317x1000



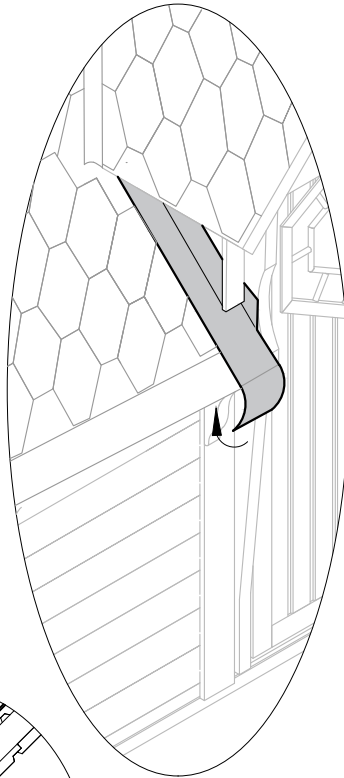
② x200

T-V-2x20

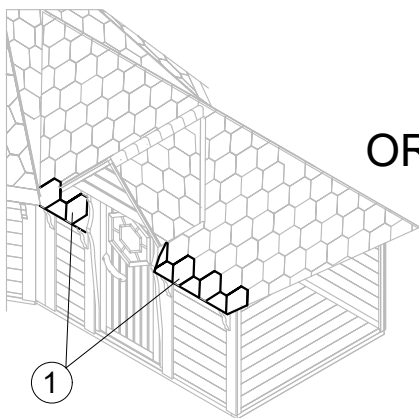
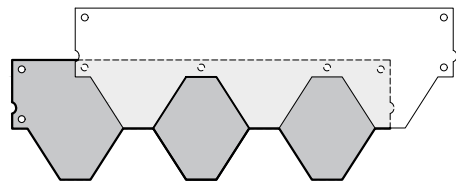
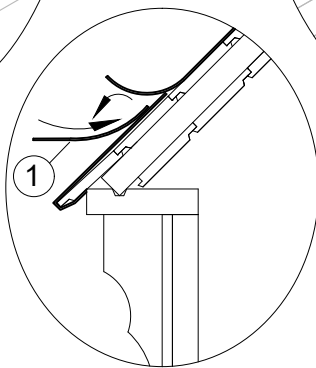
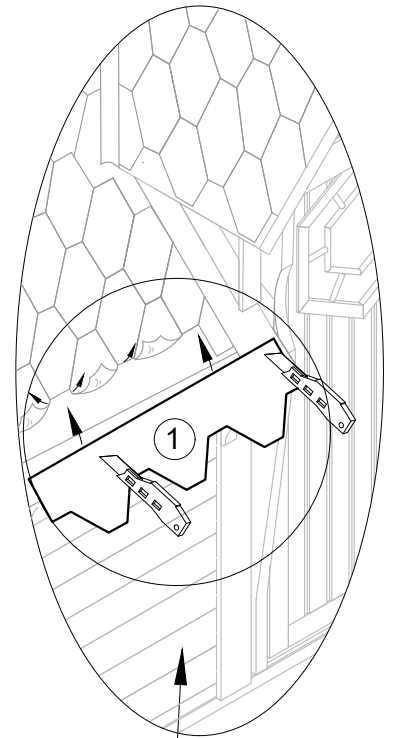
1 Step



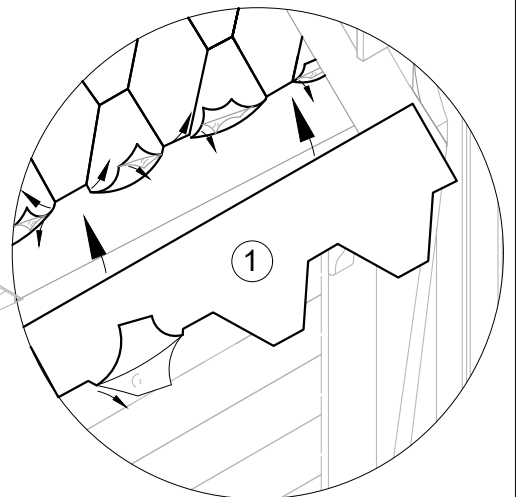
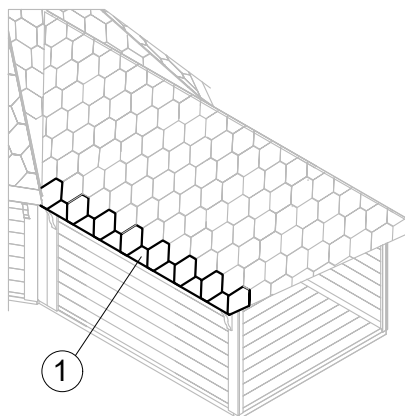
2 Step



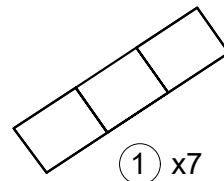
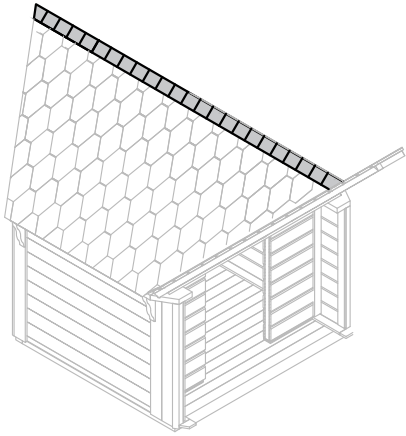
3 Step



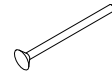
OR



25.2 Corridor ROOF FINISHING

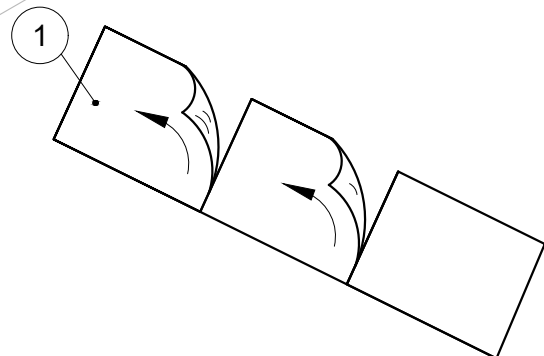
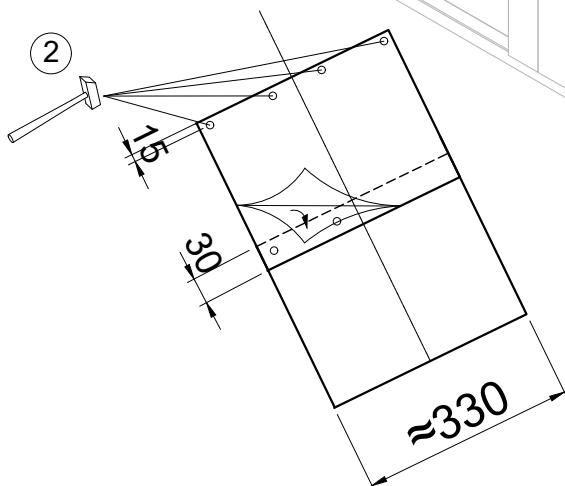
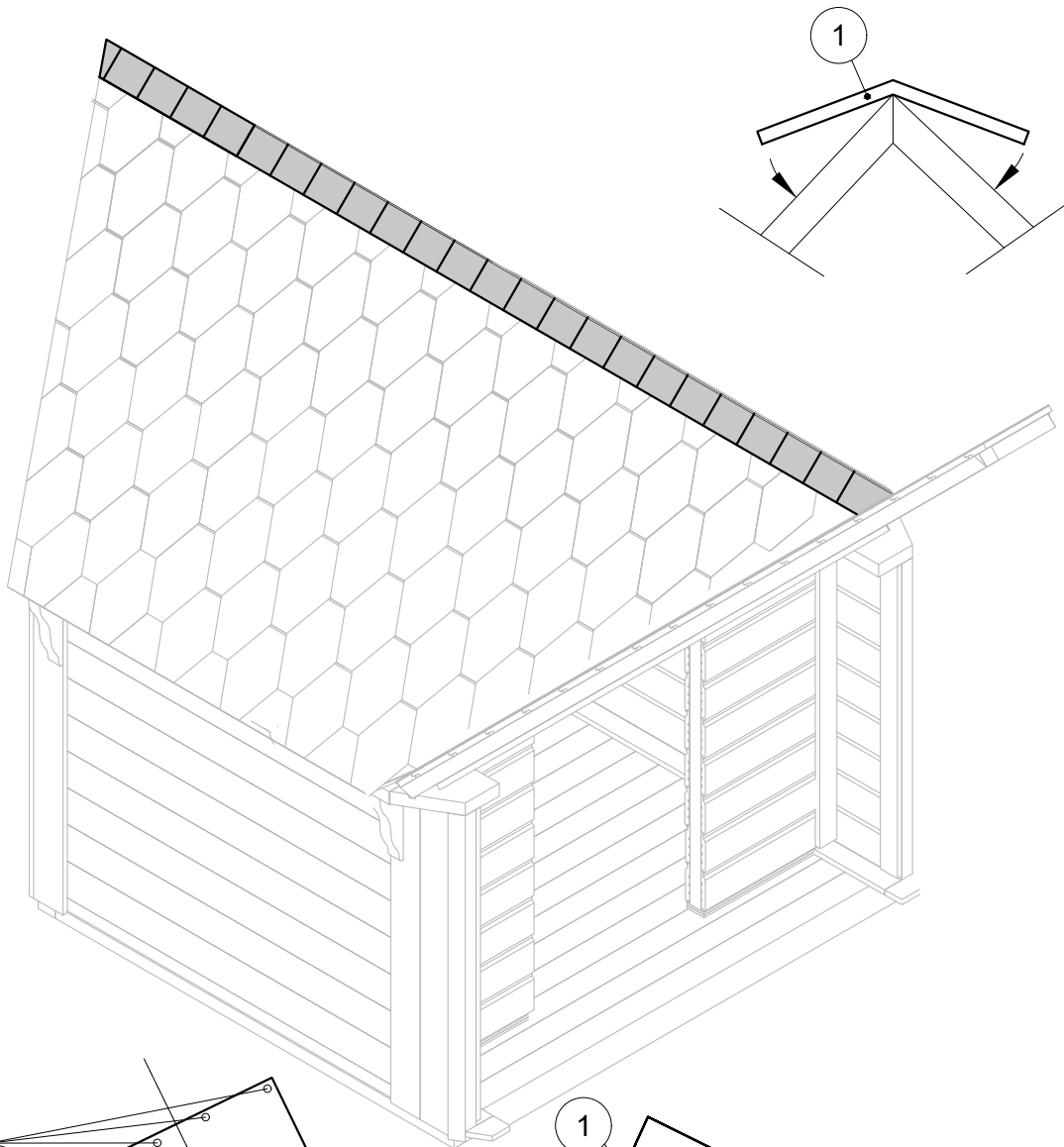


Bitumines-
cerpes-3x1000x250

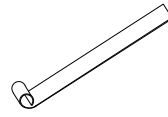
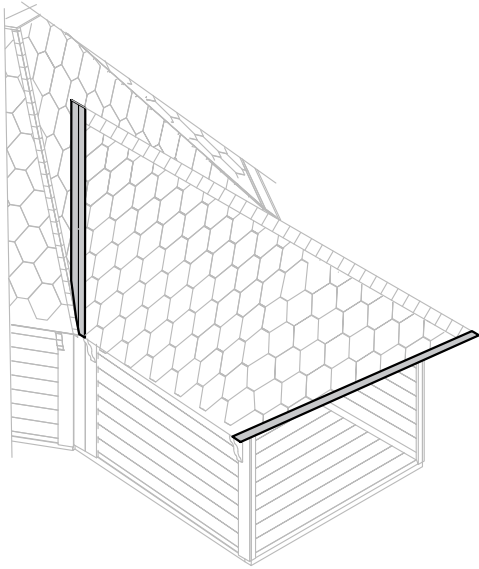


② x 170

T-V-2X20

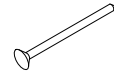


25.3 Corridor ROOF FINISHING



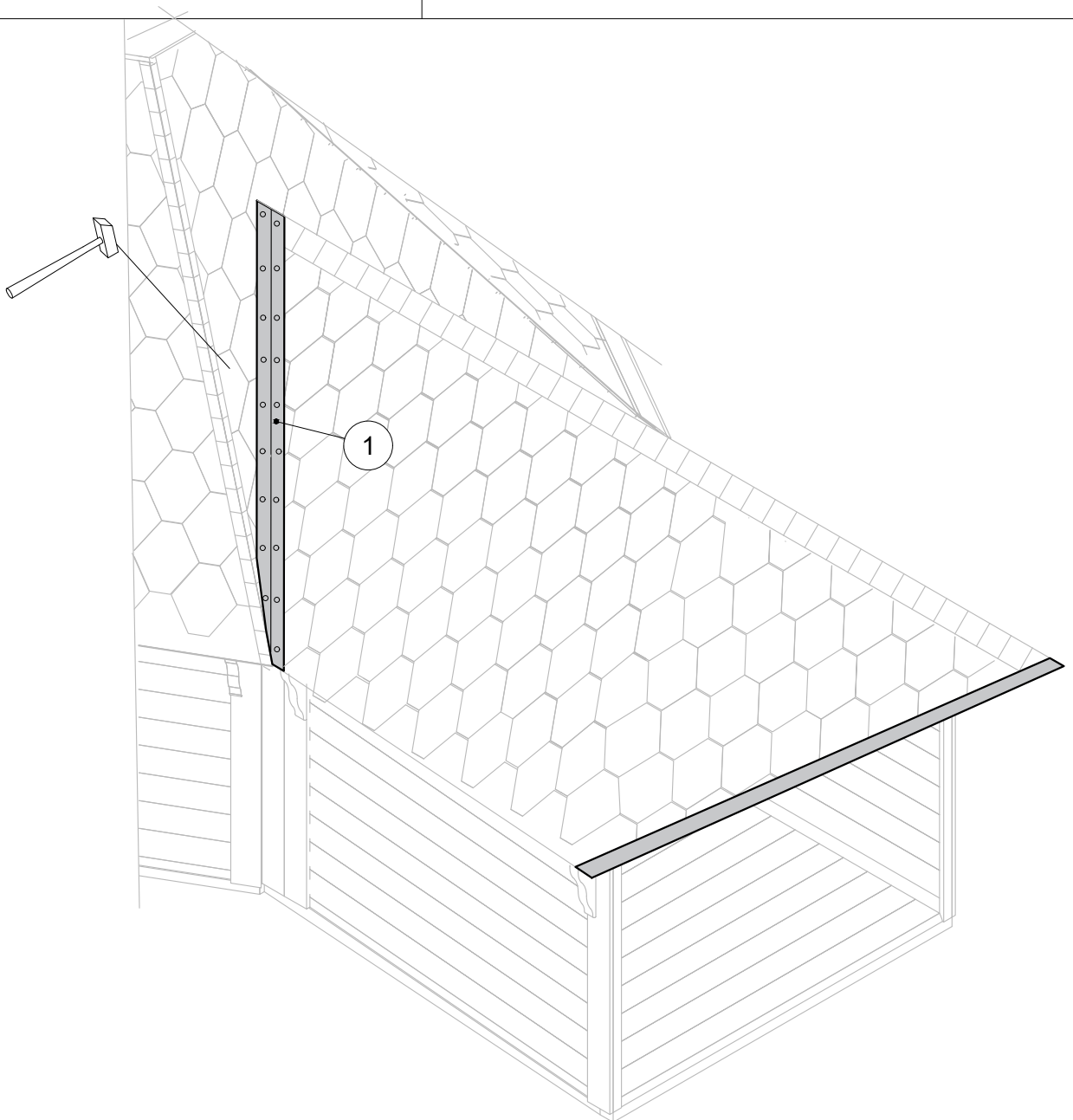
① x4

Bitumine-
juosta-3x200x2500

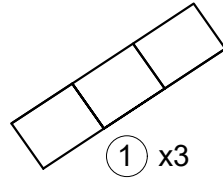
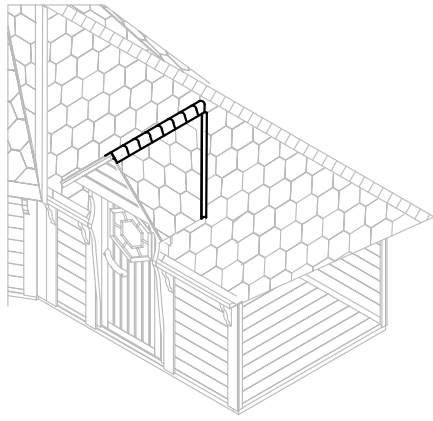


② x 100

T-V-2X20

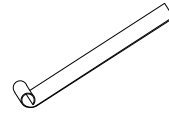


26. Corridor ENTRANCE ROOF FINISHING



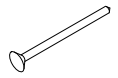
① x3

Bitumines-
cerpes-3x1000x250



② x2

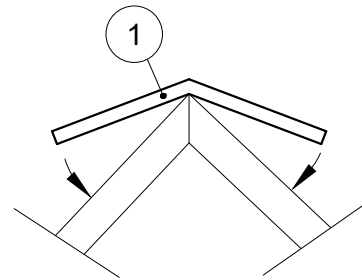
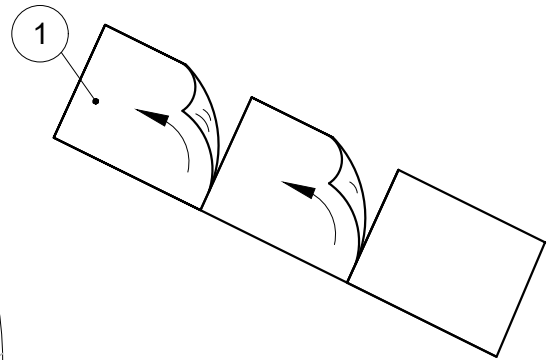
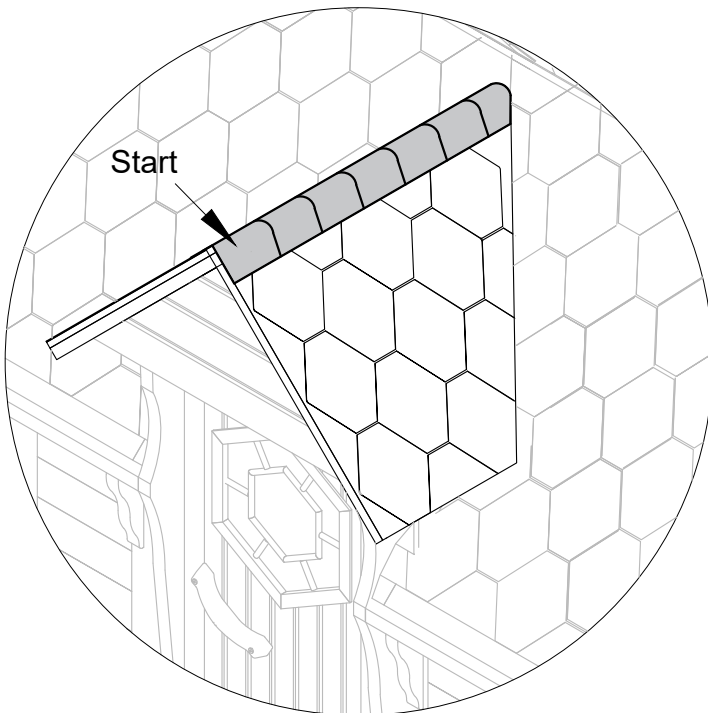
Bitumine-
juosta-3x70x1360
or
Bitumine-
juosta-3x70x1550



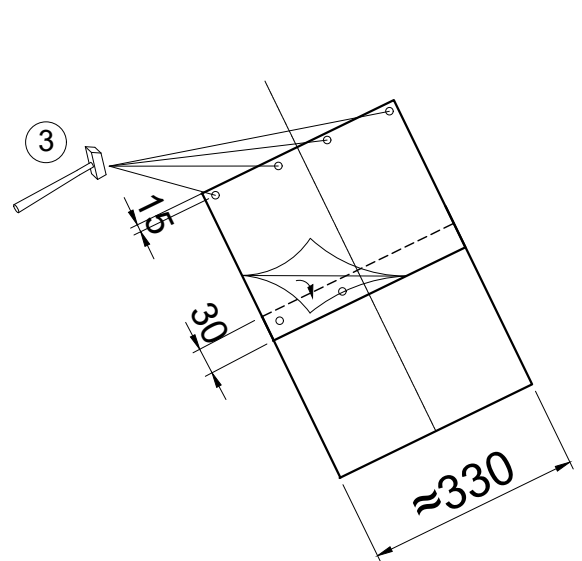
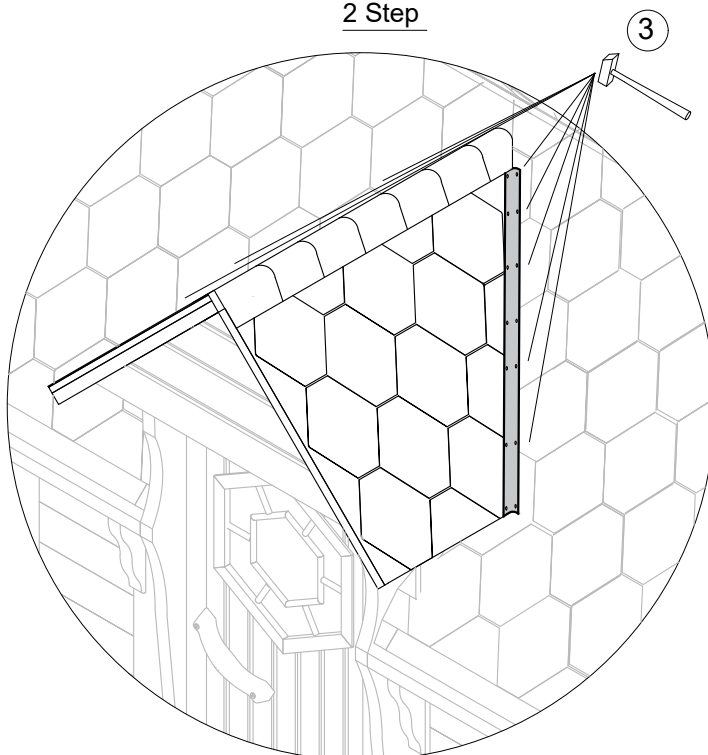
③ x 64

T-V-2X20

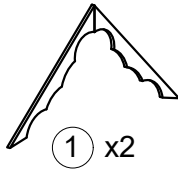
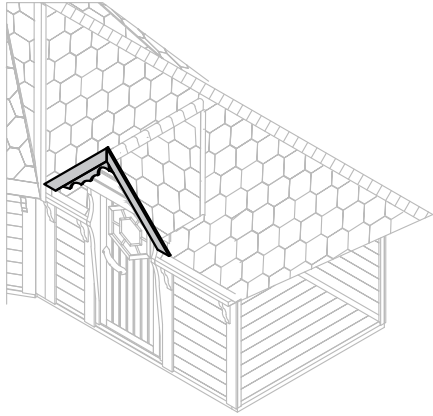
1 Step



2 Step

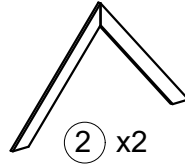


27. Corridor OUTSIDE FINISHING BOARD



① x2

M-18x95x820-CNC
or
M-18x95x981-CNC



② x2

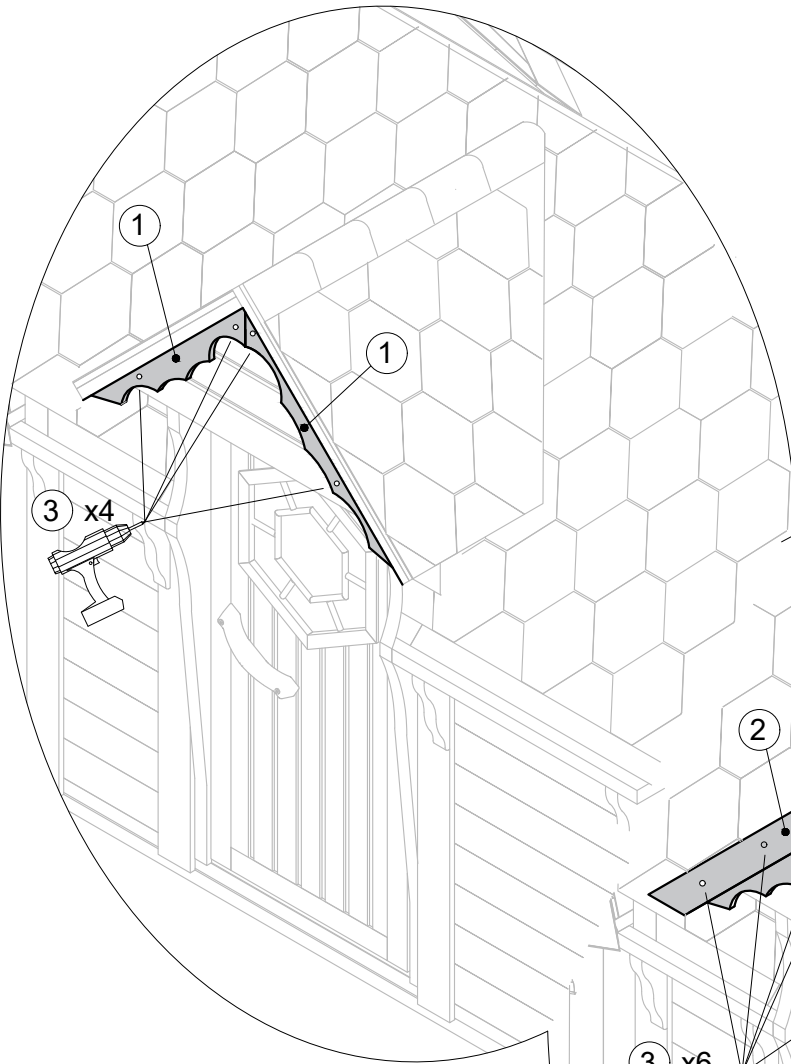
M-18x95x1050-F
or
M-18x95x1211-F



③ x10

T-GC-3.5x45

1 Step



2 Step

