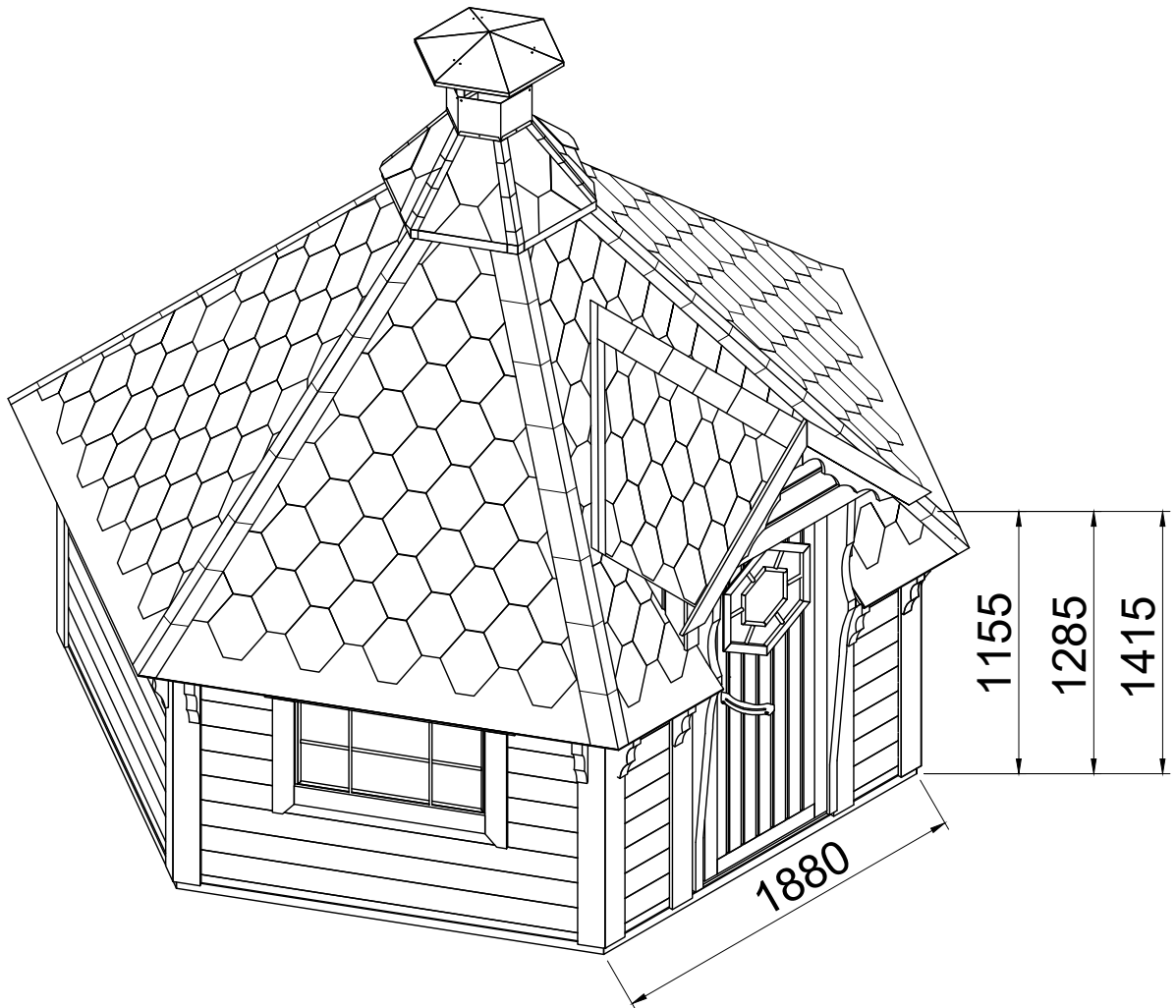
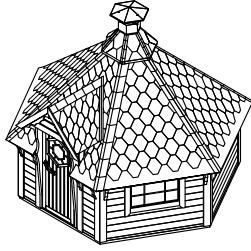


# GRILL / CAMPING / SAUNA CABIN 9.2

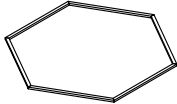


# Stages of assembly

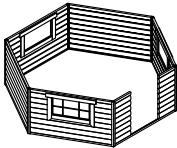
Grill / Camping / Sauna



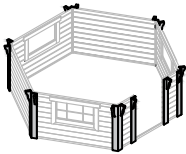
**1. Step:**  
wood ring



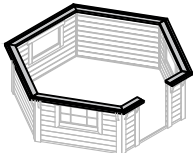
**2. Step:**  
walls



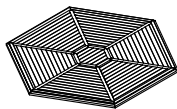
**3. Step:**  
decoration (support)



**4. Step:**  
roof support ring



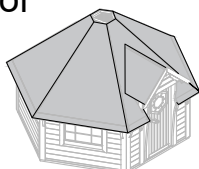
**5. Step:**  
floors



**6. Step:**  
inside wall



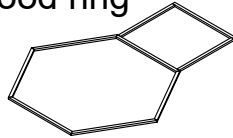
**7. Step:**  
roof



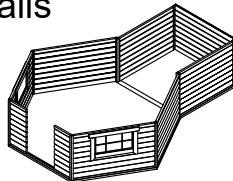
Grill+Extension



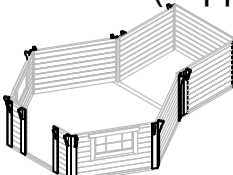
**1. Step:**  
wood ring



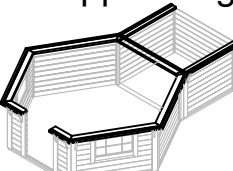
**2. Step:**  
walls



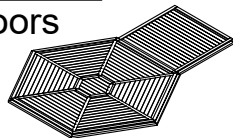
**3. Step:**  
decoration (support)



**4. Step:**  
roof support ring



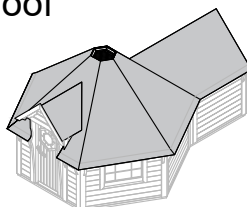
**5. Step:**  
floors



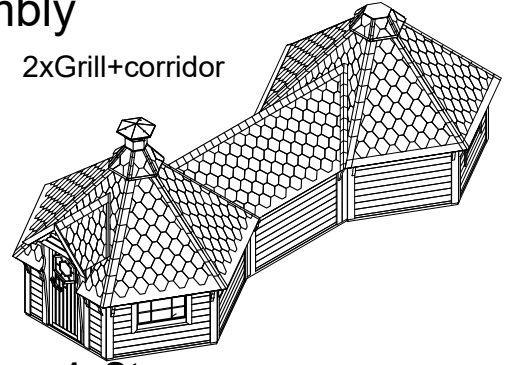
**6. Step:**  
inside wall



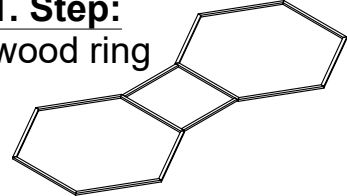
**7. Step:**  
roof



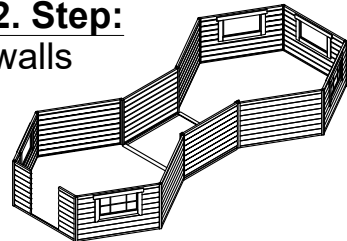
2xGrill+corridor



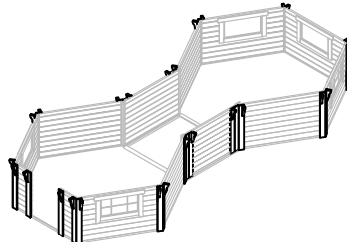
**1. Step:**  
wood ring



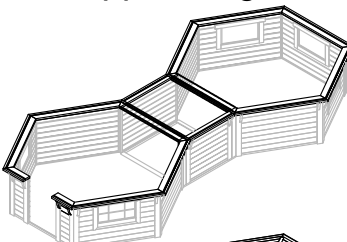
**2. Step:**  
walls



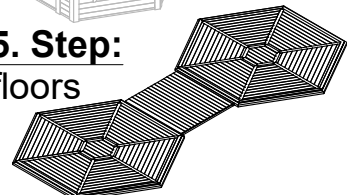
**3. Step:**  
decoration (support)



**4. Step:**  
roof support ring



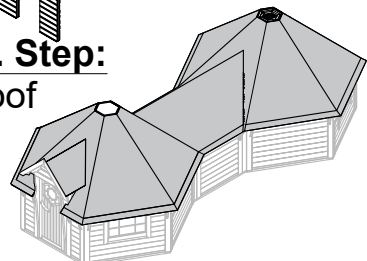
**5. Step:**  
floors



**6. Step:**  
inside wall



**7. Step:**  
roof



## Grill / Camping / Sauna Cabin 9.2 FOUNDATION

It is very important to have a proper foundation.

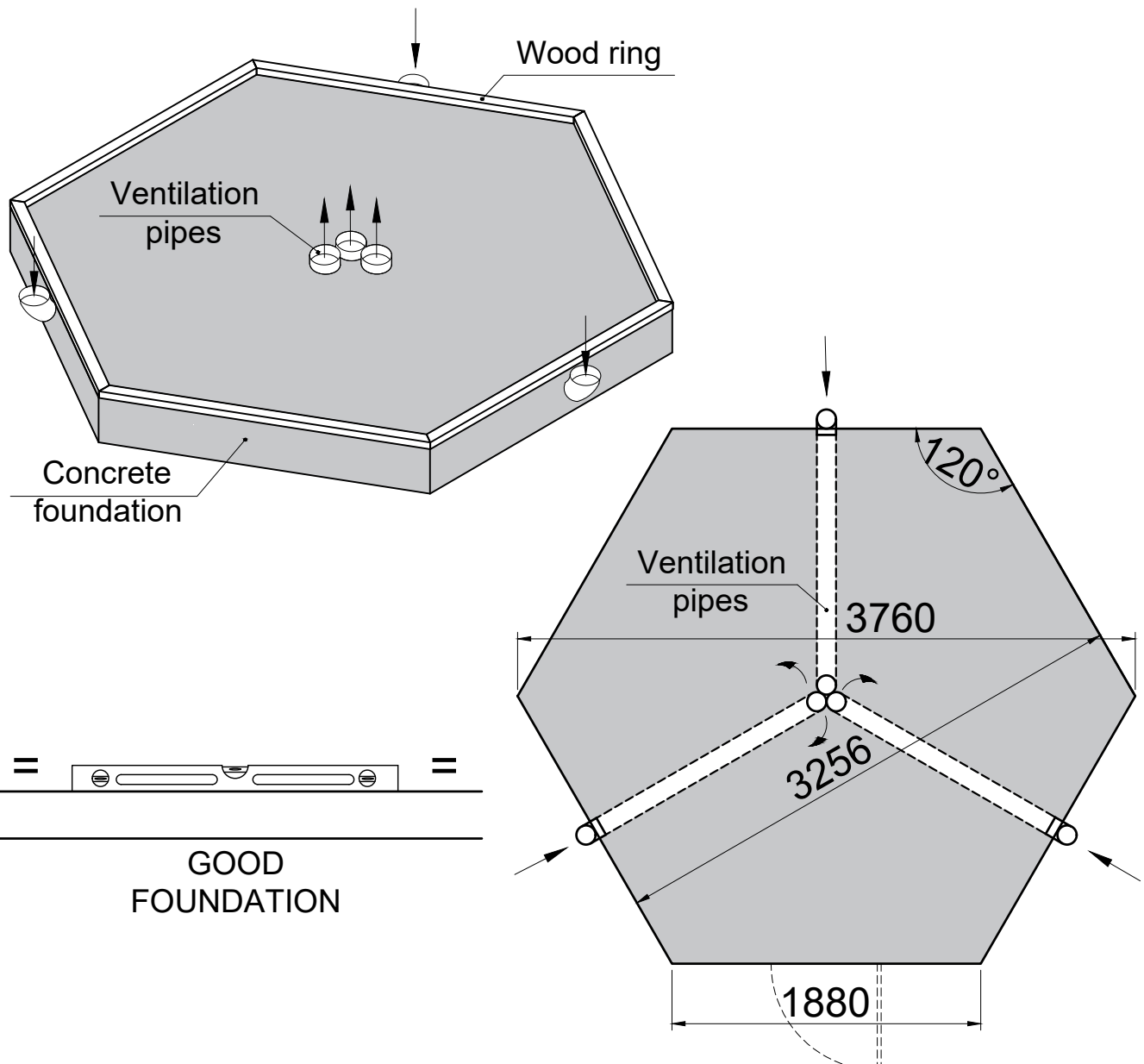
Therefore we recommend making the foundation according to the sketches here. First of all, foundation must be prepared according to the landscape and ground conditions.

The foundation under the product must be prepared specially, it must be homogeneous, tight and equal. It must be ensured that it will not change its properties. We recommend using concrete foundation. Before installation of product, we recommend to make hydro isolation of foundation.

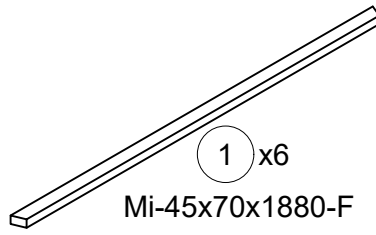
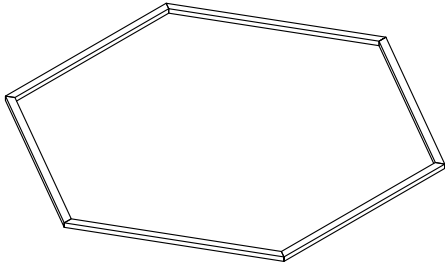
Consult a local qualified builder or an engineer to prepare a proper foundation, which fits to your location.

Due to improper foundation, cracks in the structures may occur. Due to uneven product seating, the geometric shape of the product may change, which can result in door / window twist, or/and gap may appear. And in the worst case product's collapse.

If you do not follow recommendation, product will lose its warranty.



# 1. Grill / Camping / Sauna Cabin 9.2 WOOD RING - FOUNDATION



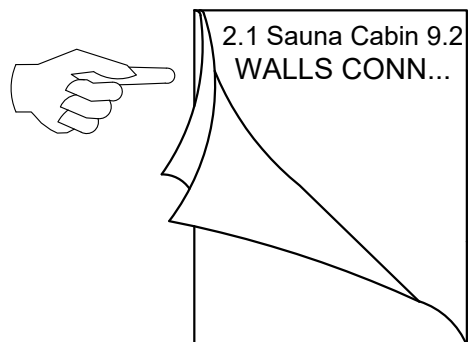
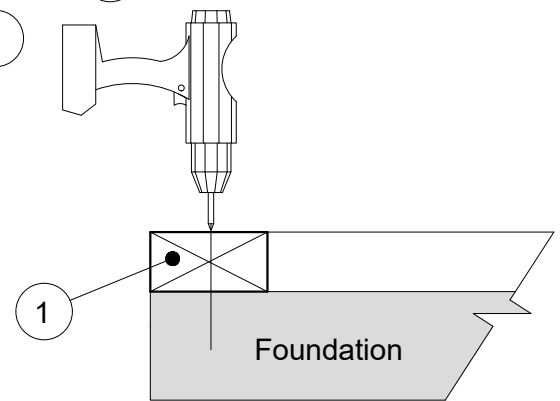
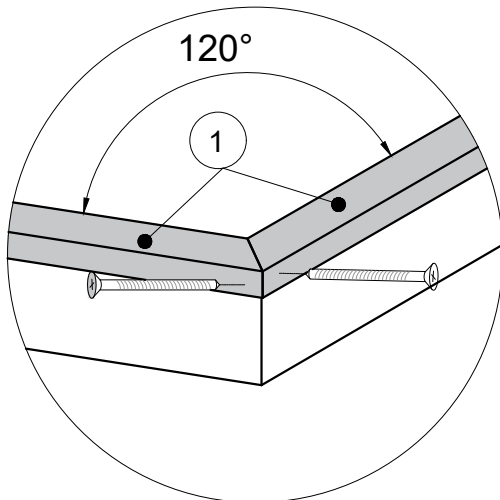
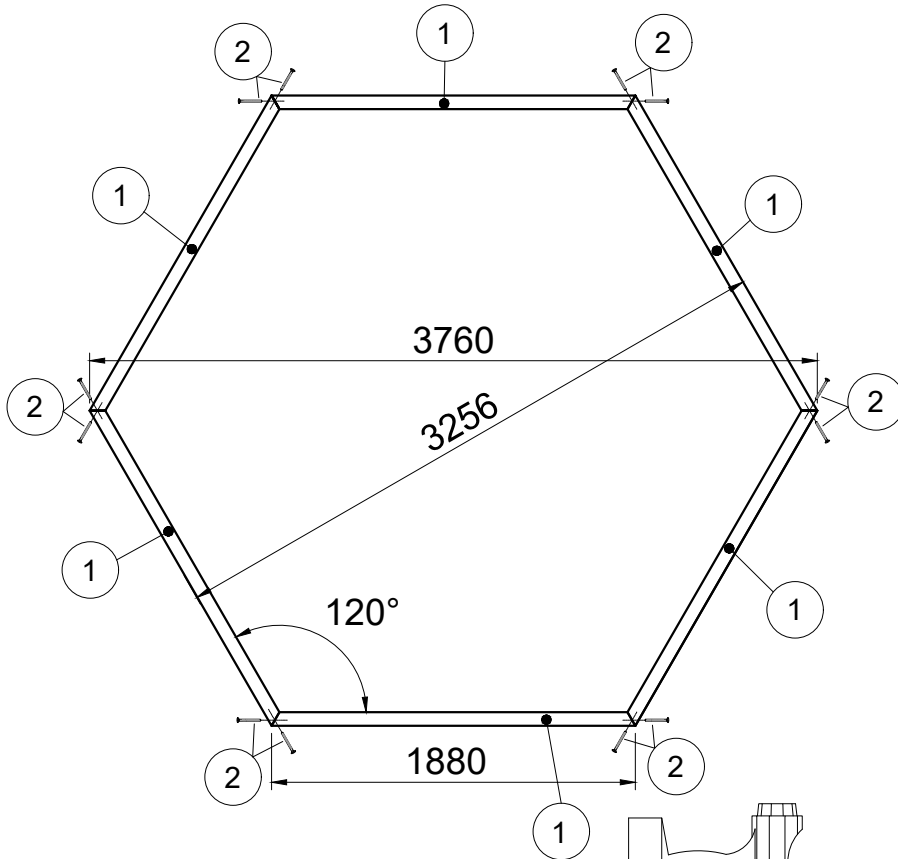
1 x6

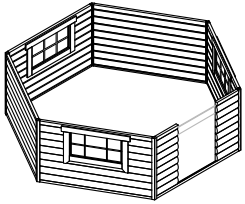
Mi-45x70x1880-F



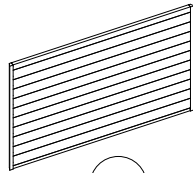
2 x12

T-GC-5x100



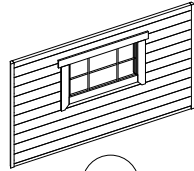


## 2. Grill / Camping Cabin 9.2 WALLS CONNECTION



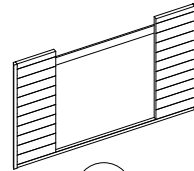
1 x2

GR9.2-S-1155x1880  
or  
GR9.2-S-1285x1880  
or  
GR9.2-S-1415x1880



2 x3

GR9.2-SL-1155x1880  
or  
GR9.2-SL-1285x1880  
or  
GR9.2-SL-1415x1880



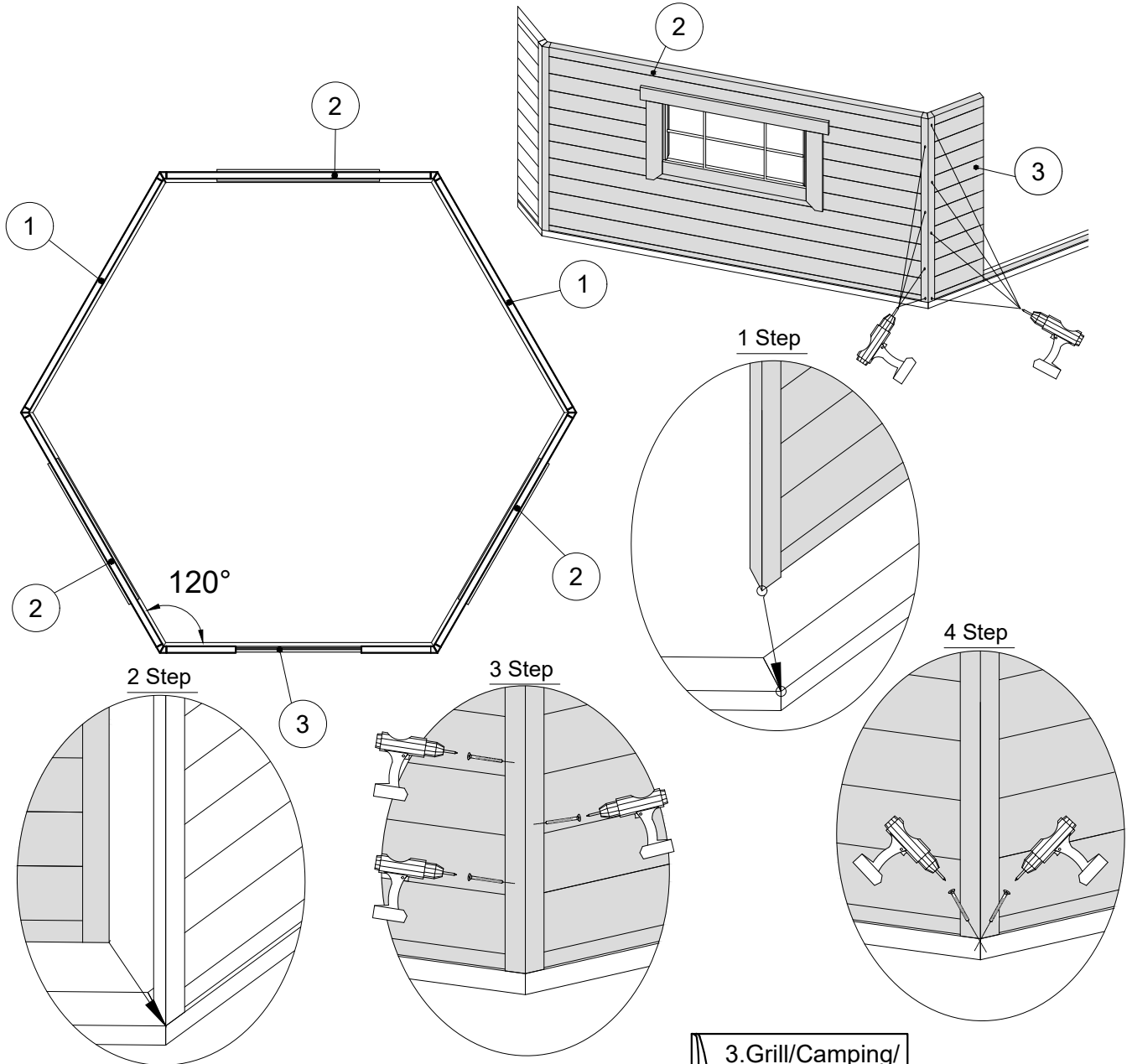
3 x1

GR9.2-SD-1155x1880  
or  
GR9.2-SD-1285x1880  
or  
GR9.2-SD-1415x1880



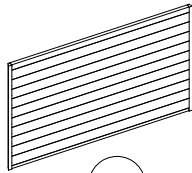
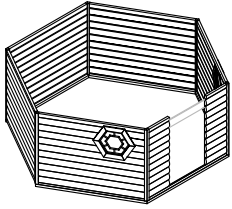
4 x48

T-GC-5x100



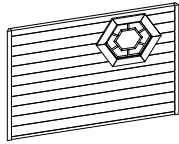
3. Grill/Camping/  
Sauna Cabin 9.2  
DECORATION..

## 2.1 Sauna Cabin 9.2 WALLS CONNECTION



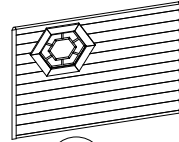
1 x3

GR9.2-S-1415x1880



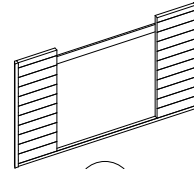
2 x1

S9.2-SL-1415x1880(k)



3 x1

S9.2-SL-1415x1880(d)

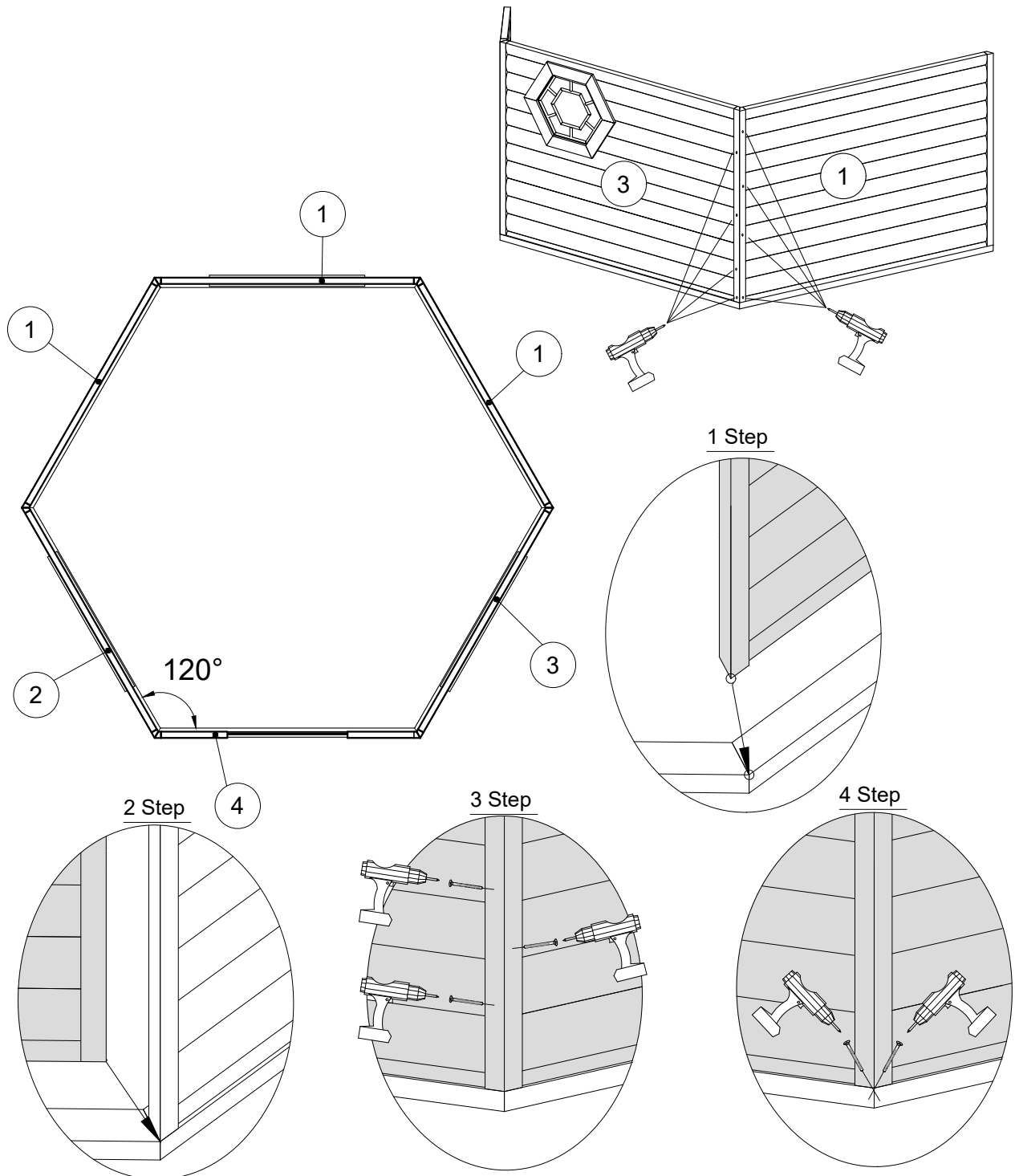


4 x1

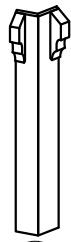
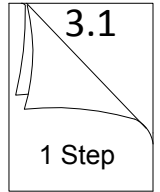
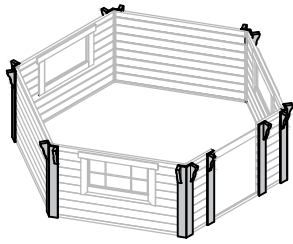
GR9.2-SD-1415x1880

5 x48

T-GC-5x100



### 3. Grill / Camping / Sauna Cabin 9.2 DECORATION (SUPPORT) OUTSIDE



1 x6

GR-6k-Apd-1155  
or  
GR-6k-Apd-1285  
or  
GR-6k-Apd-1415



2 x1

GR-Apd(k)-1155  
or  
GR-Apd(k)-1285  
or  
GR-Apd(k)-1415



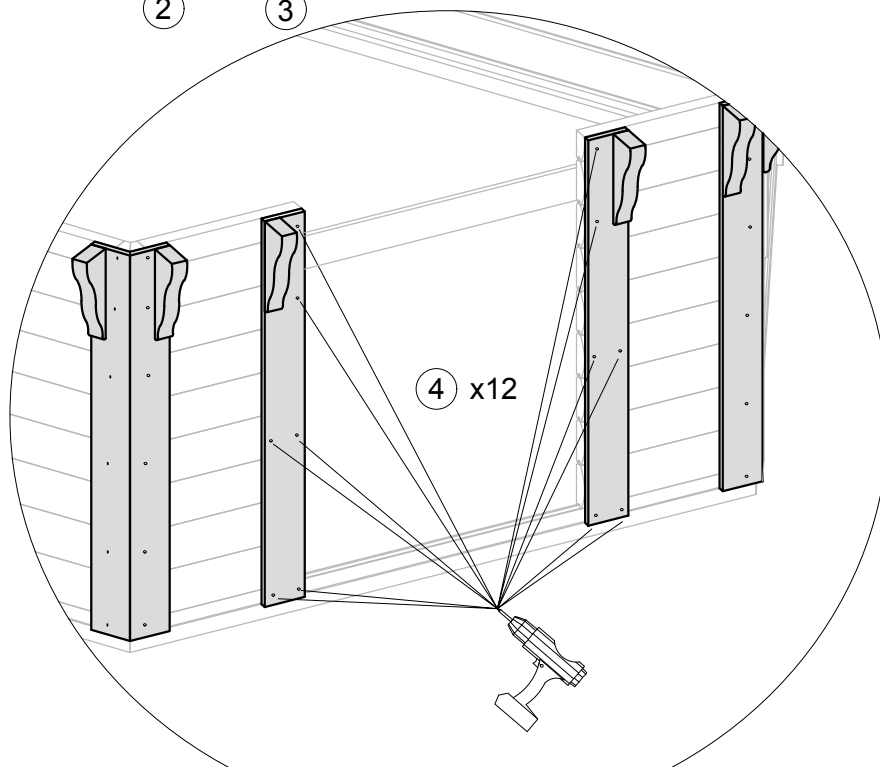
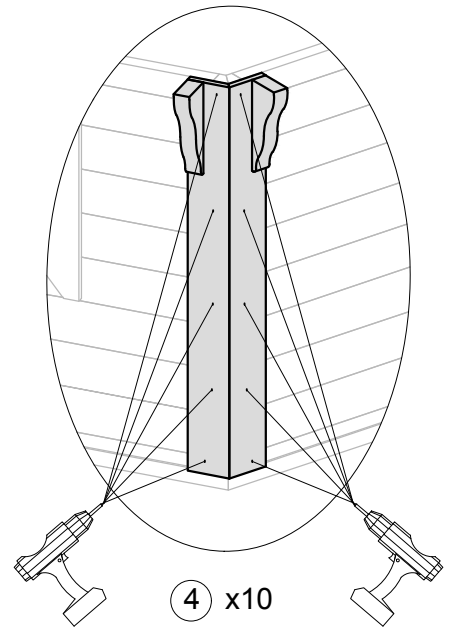
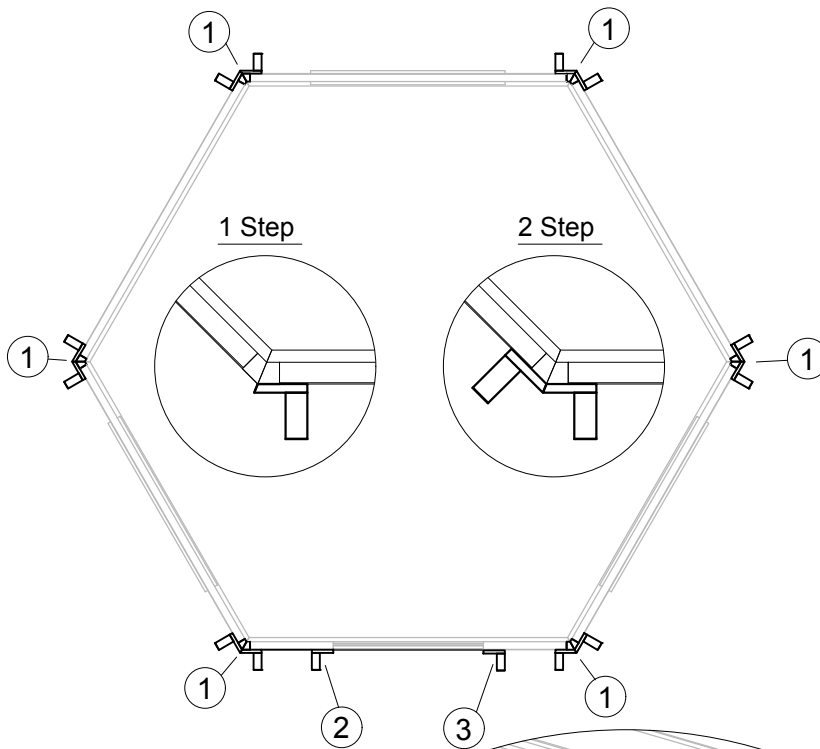
3 x1

GR-Apd(d)-1155  
or  
GR-Apd(d)-1285  
or  
GR-Apd(d)-1415

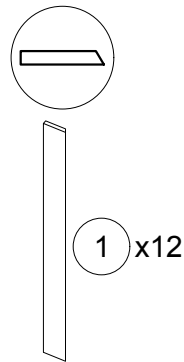


4 x72

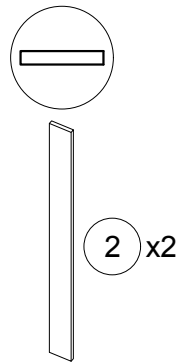
T-BC-4x50



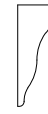
### 3.1 Grill / Camping/ Sauna Cabin 9.2 DECORATION (SUPPORT) OUTSIDE



M-18x95x1155-F  
or  
M-18x95x1285-F  
or  
M-18x95x1415-F



M-18x95x1155  
or  
M-18x95x1285  
or  
M-18x95x1415



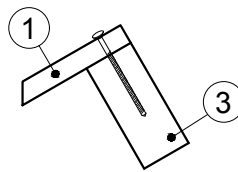
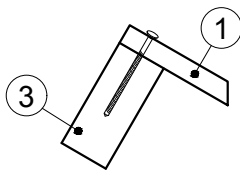
3 x14  
M-45x95x270-CNC



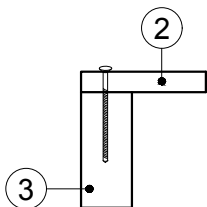
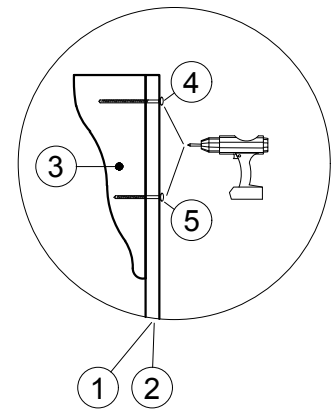
4 x14  
T-BC-4x70



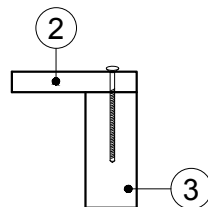
5 x14  
T-BC-4x50



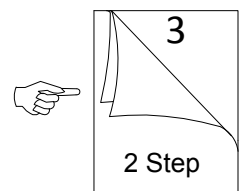
GR-6k-Apd-1155  
or  
GR-6k-Apd-1285  
or  
GR-6k-Apd-1415



GR-Apd(k)-1155  
or  
GR-Apd(k)-1285  
or  
GR-Apd(k)-1415

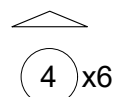
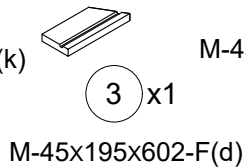
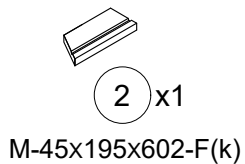
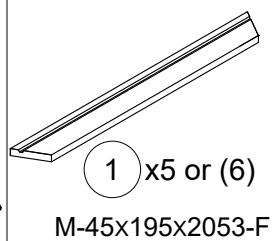
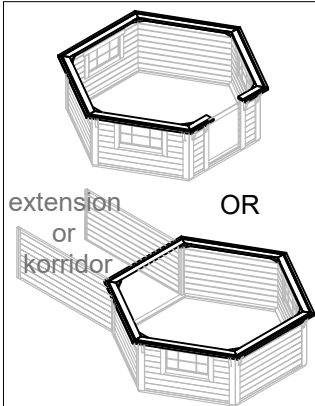


GR-Apd(d)-1155  
or  
GR-Apd(d)-1285  
or  
GR-Apd(d)-1415

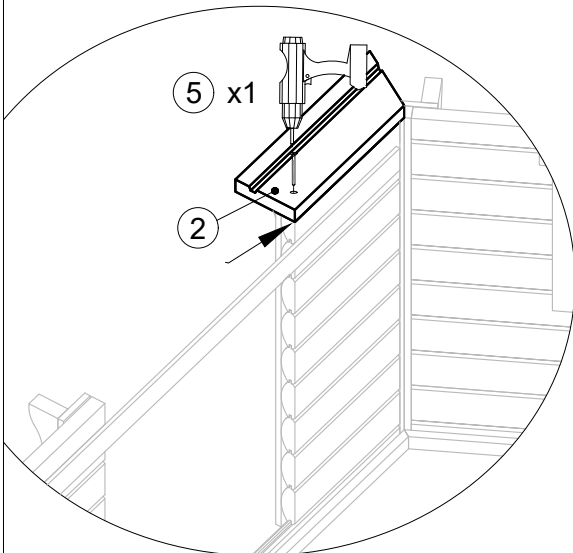




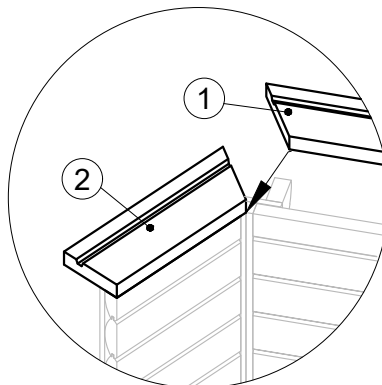
## 4. Grill / Camping / Sauna Cabin 9.2 ROOF SUPPORT RING



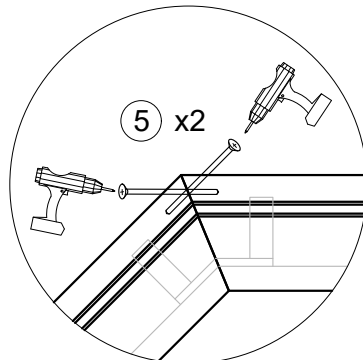
1 Step



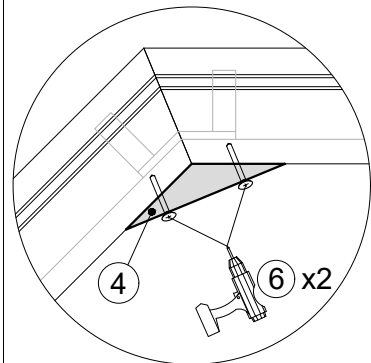
2 Step



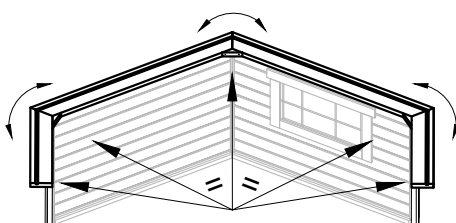
3 Step



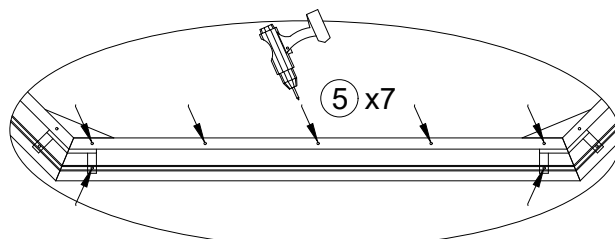
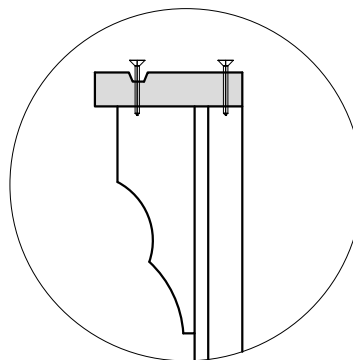
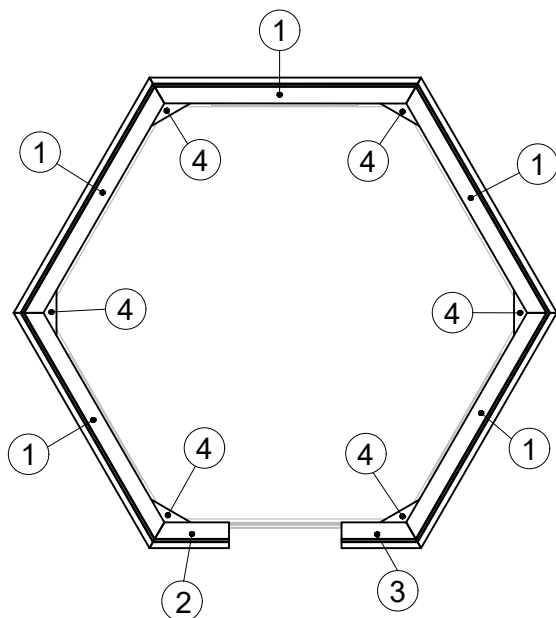
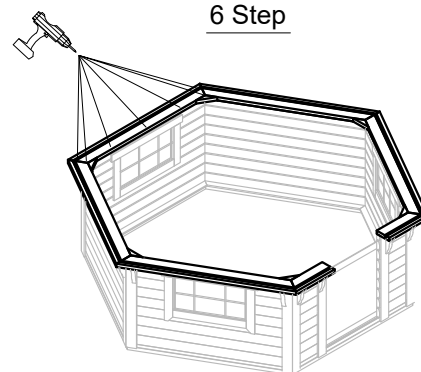
4 Step



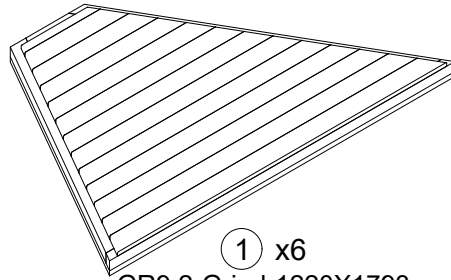
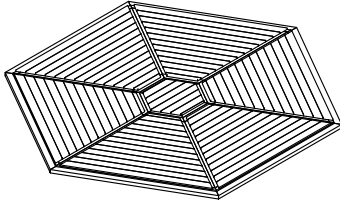
5 Step



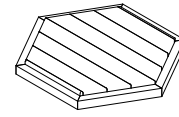
6 Step



## 5. Grill / Camping / Sauna Cabin 9.2 FLOORS



1 x6  
 GR9.2-Grind-1220X1793  
 or  
 GR9.2-I-Grind-1220X1793  
 or  
 GR9.2-Spunt-1220X1793  
 or  
 GR9.2-I-Spunt-1220X1793

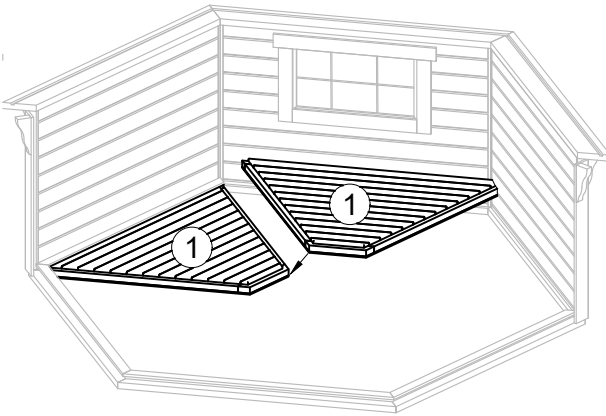


2 x1  
 GR-6k-Grind-665X768  
 or  
 GR-6k-I-Grind-665X768  
 or  
 GR-6k-Spunt-665X768  
 or  
 GR-6k-I-Spunt-665X768

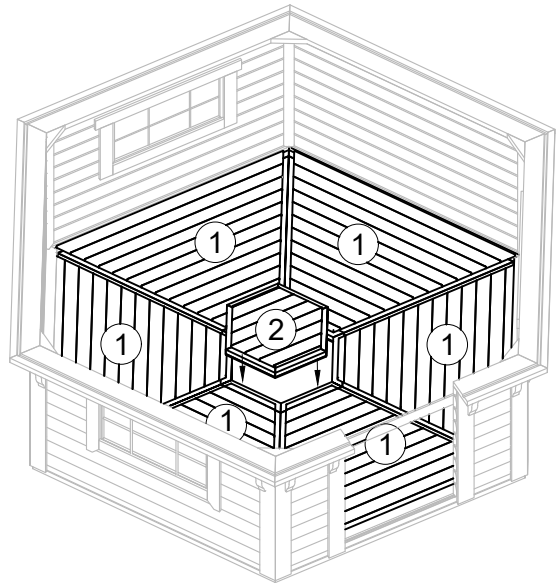


3 x42  
 T-BC-3.5x45

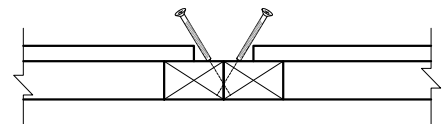
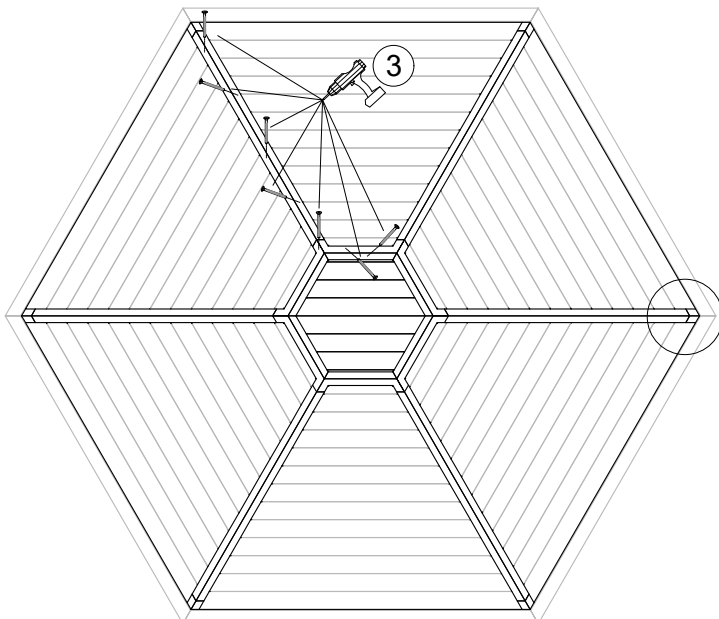
1 Step



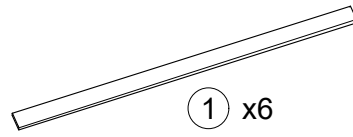
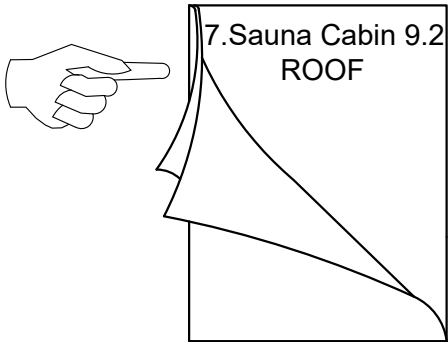
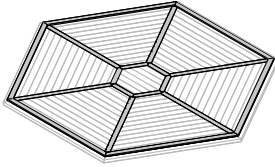
2 Step



3 Step



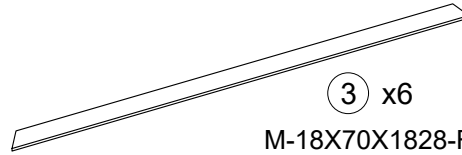
## 6. Grill / Camping / Sauna Cabin 9.2 FLOORS FINISHING BOARDS



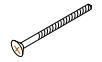
① x6  
M-18X70X1367  
or  
Spunt-28x70x1367



② x6  
M-18X70X404-F  
or  
Spunt-28x70x404-F

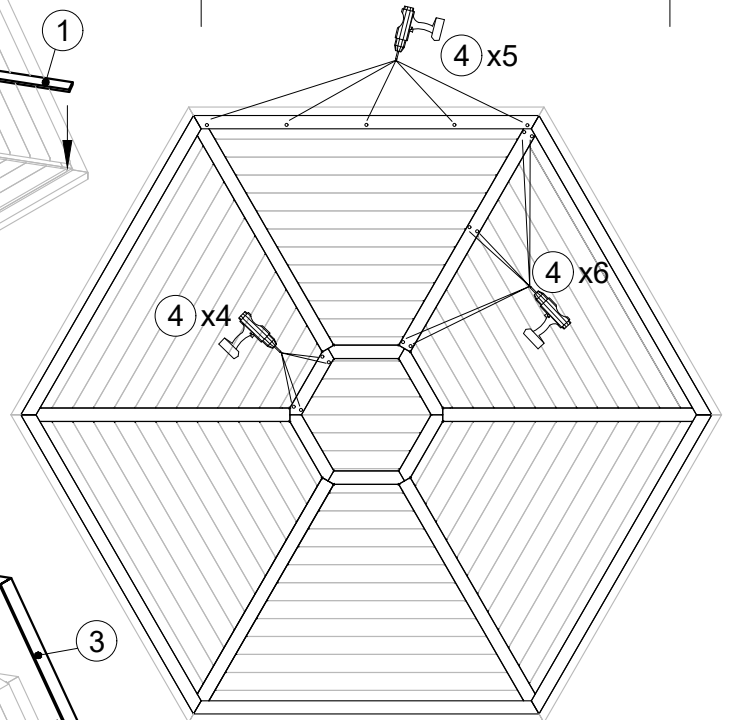
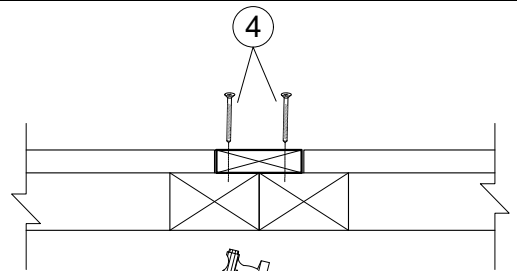
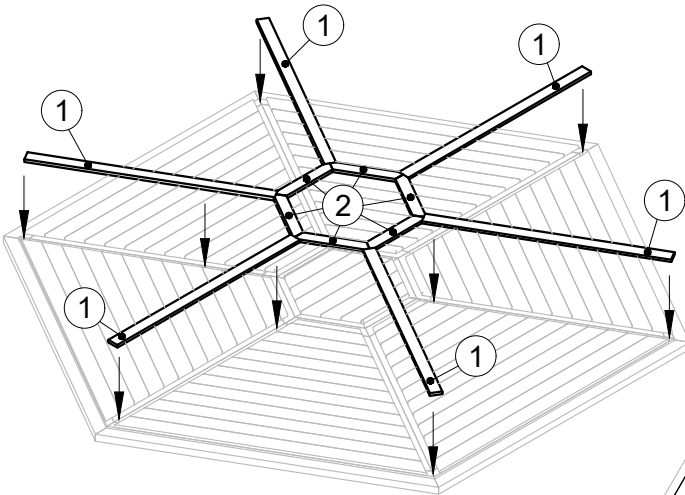


③ x6  
M-18X70X1828-F

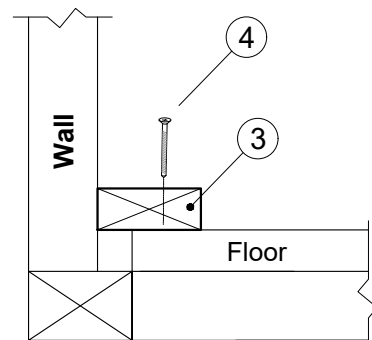
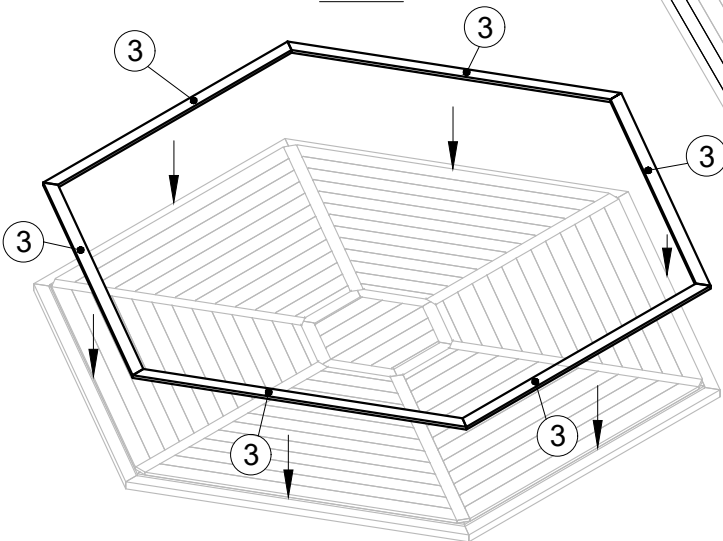


④ x90  
T-GC-3.5x45

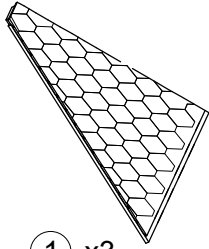
### 1 Step



### 2 Step

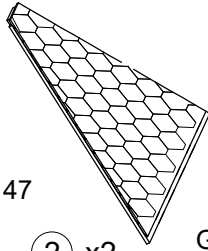


## 7. IF Sauna Cabin 9.2 WITH CHANGING ROOM



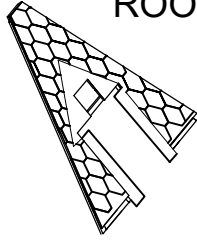
① x3

GR9.2-I-Stog-2022X2147  
INSULATED ROOF



② x2

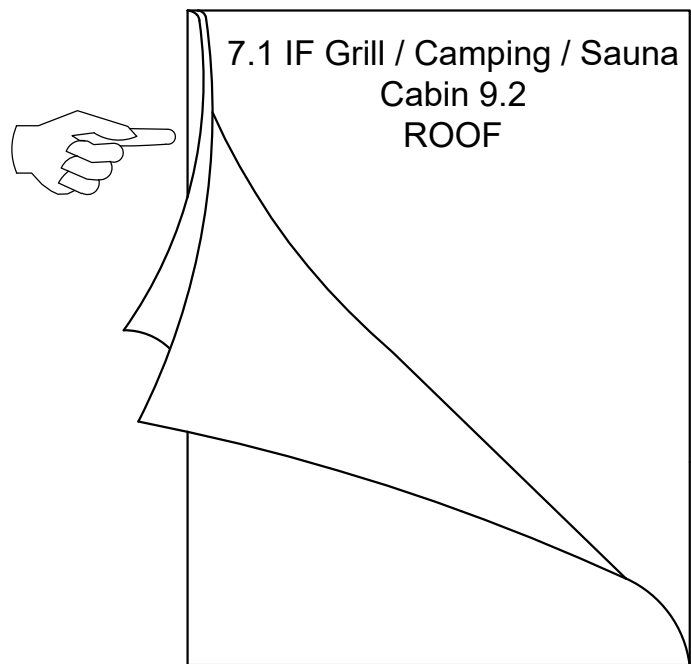
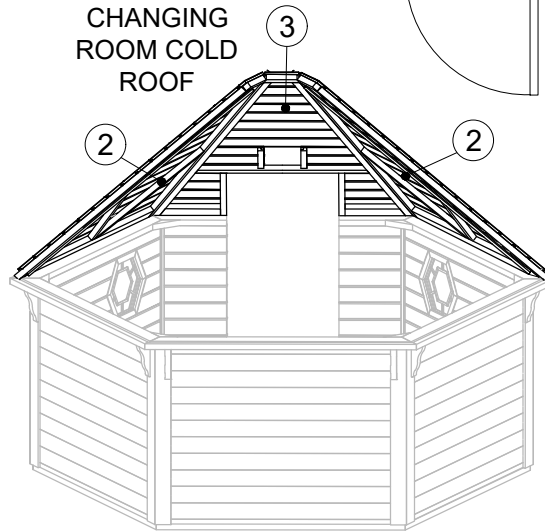
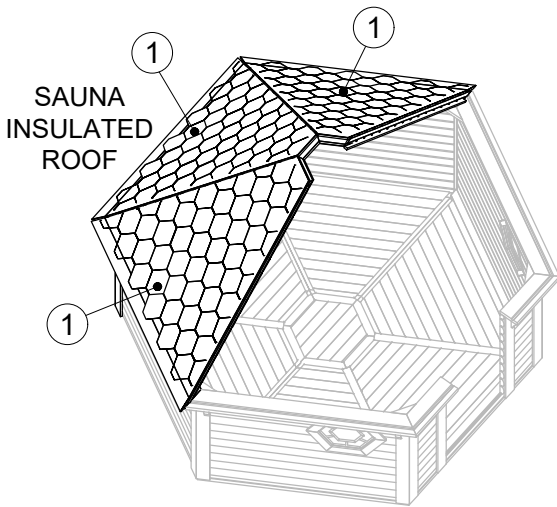
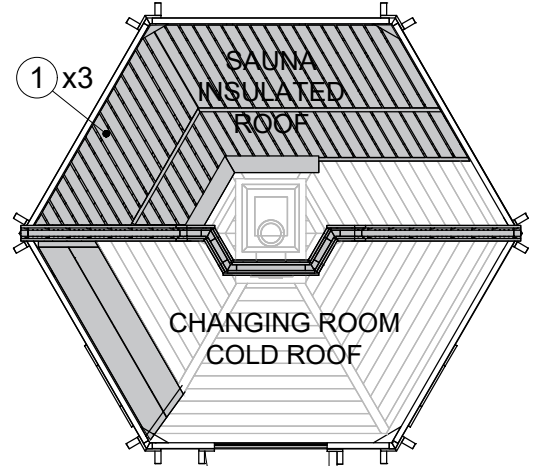
GR9.2-Stog-2022X2147  
COLD ROOF



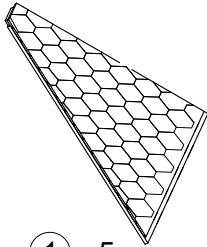
③ x1

GR9.2-StogD-2022X2147  
COLD ROOF

④ x78  
T-GC-5x80

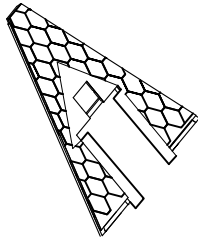


## 7.1 Grill / Camping Cabin 9.2 ROOF



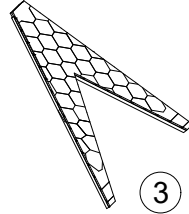
① x5

GR9.2-Stog-2022X2147  
or  
GR9.2-I-Stog-2022X2147



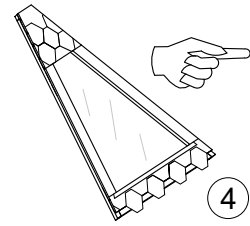
② x1

GR9.2-StogD-2022X2147  
or  
GR9.2-I-StogD-2022X2147



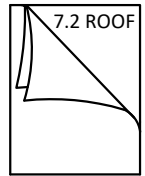
③

GR9.2-StogEX-2022X2147  
or  
GR9.2-I-StogEX-2022X2147



④

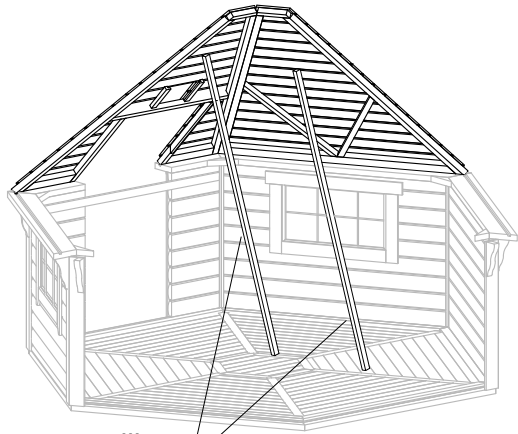
GR9.2-StogL-2022X2147  
or  
GR9.2-I-StogL-2022X2147



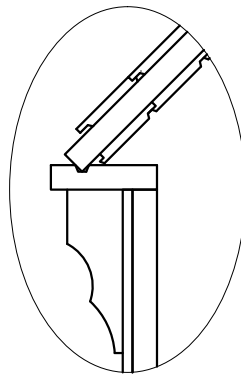
⑤ x78

T-GC-5x80

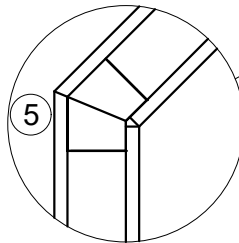
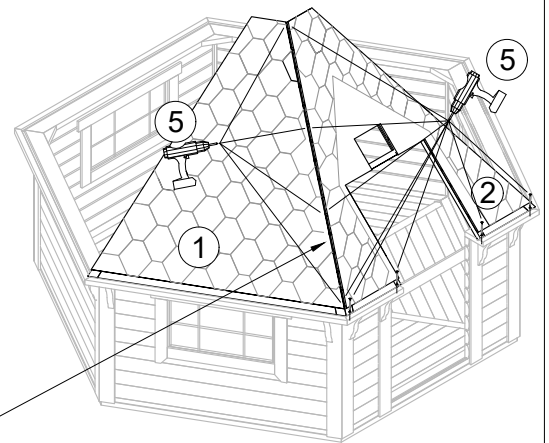
1 Step



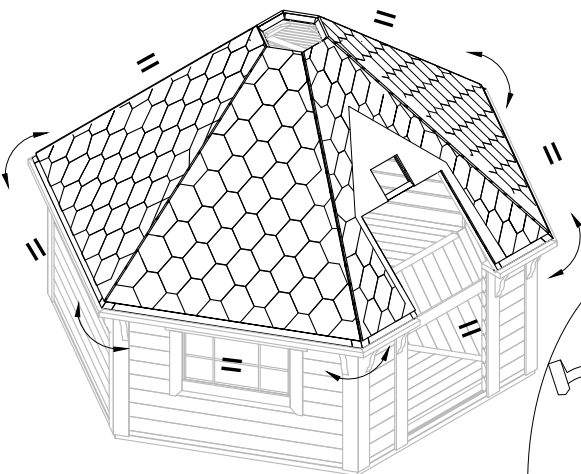
support pillars



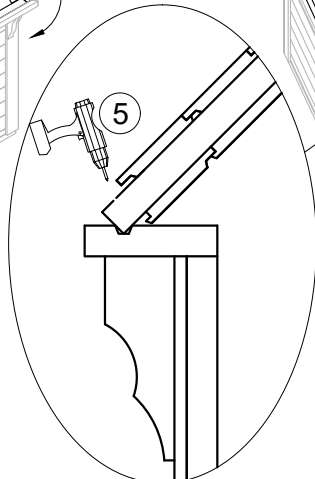
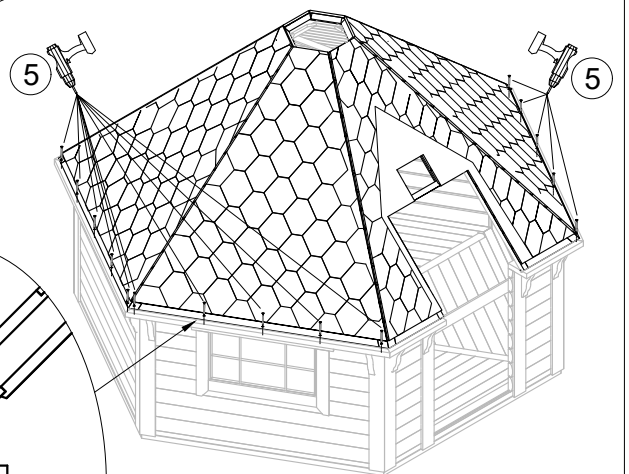
2 Step



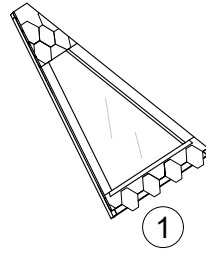
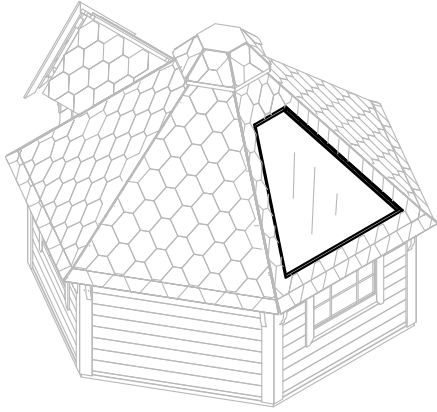
3 Step



4 Step



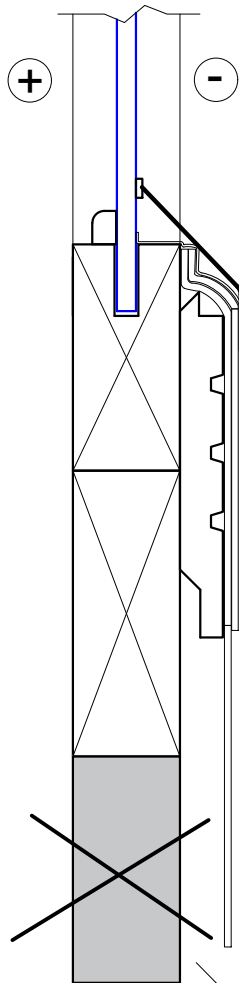
## 7.2 Grill / Camping / Sauna Cabin 9.2 ROOF



GR9.2-StogL-2022X2147  
or  
GR9.2-I-StogL-2022X2147

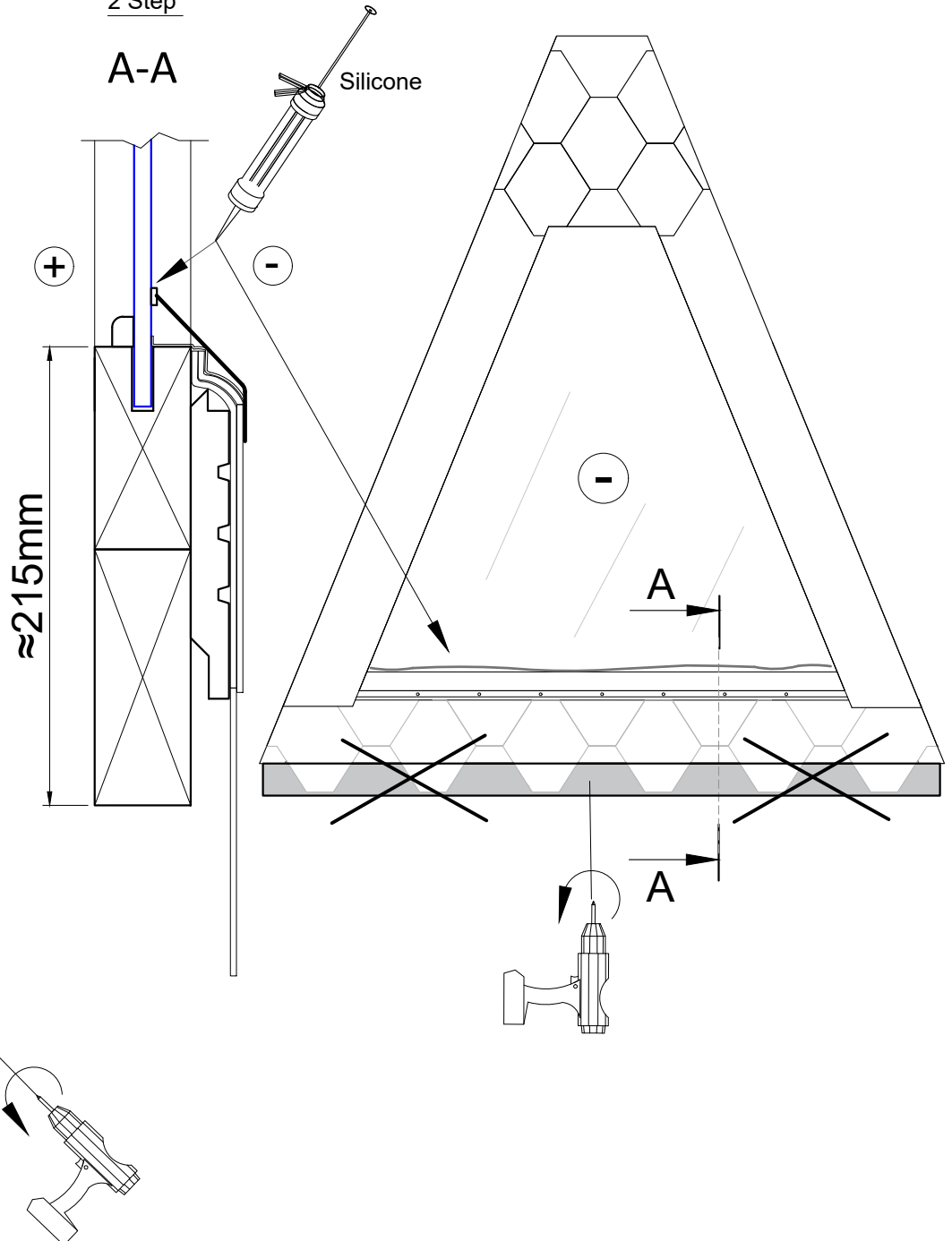
1 Step

A-A

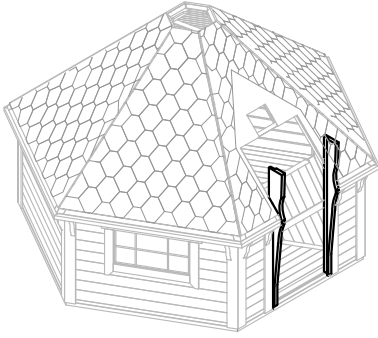


2 Step

A-A



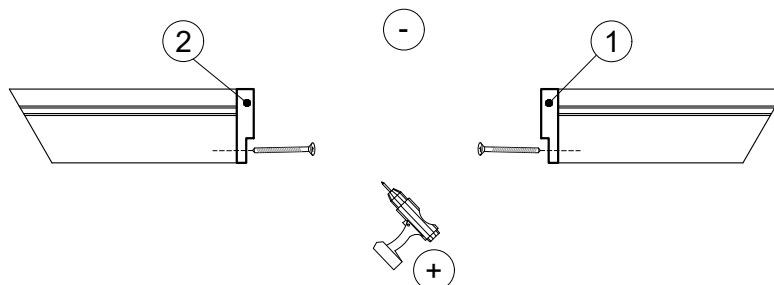
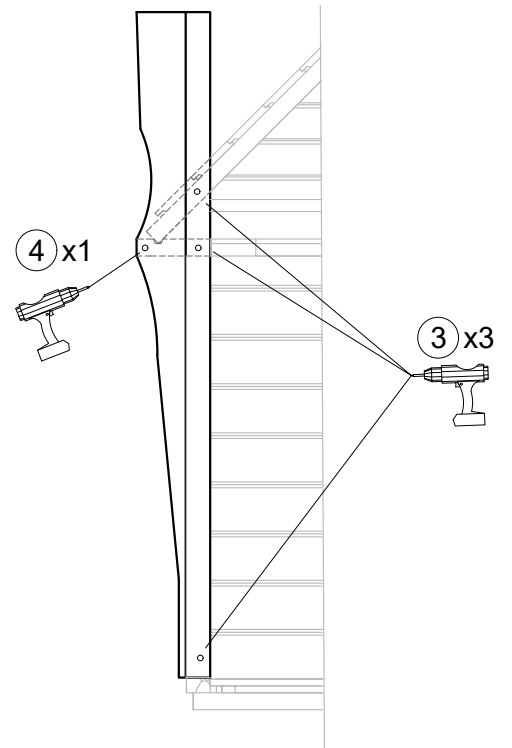
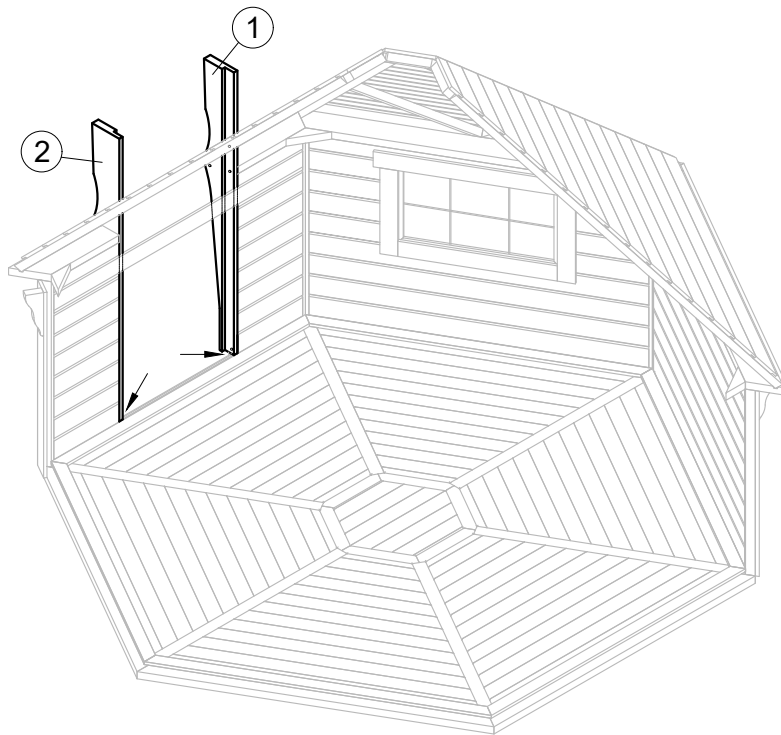
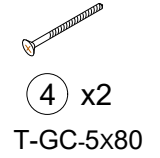
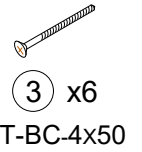
## 8. Grill / Camping / Sauna Cabin 9.2 ENTRANCE SUPPORT



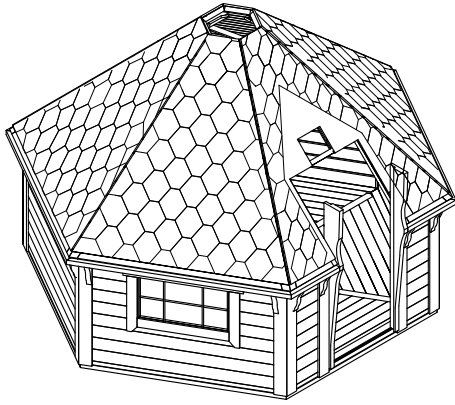
M-45x195x1630-A850-CNC(k)  
or  
M-45x195x1760-A850-CNC(k)  
or  
M-45x195x1890A-850-CNC(k)



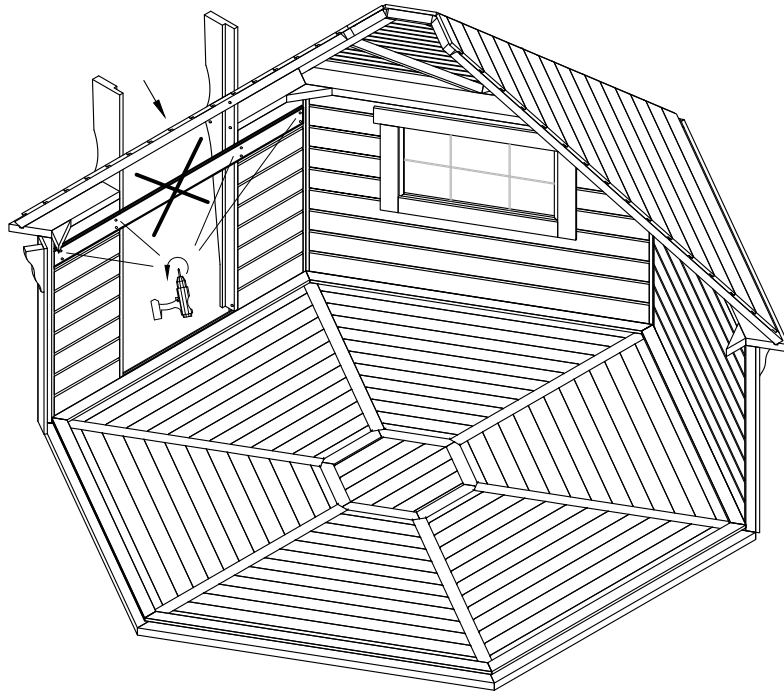
M-45x195x1630-A850-CNC(d)  
or  
M-45x195x1760-A850-CNC(d)  
or  
M-45x195x1890-A850-CNC(d)



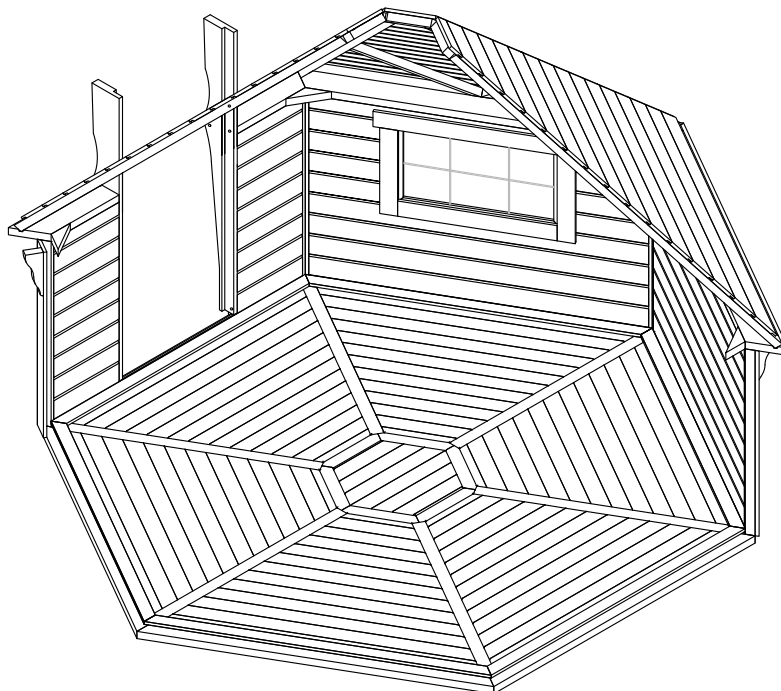
## 8.1 Grill / Camping / Sauna Cabin 9.2



1 Step

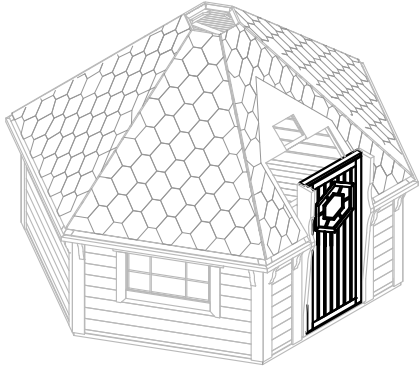


2 Step

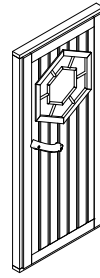


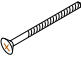


## 9. Grill / Camping / Sauna Cabin 9.2 OUTSIDE DOOR

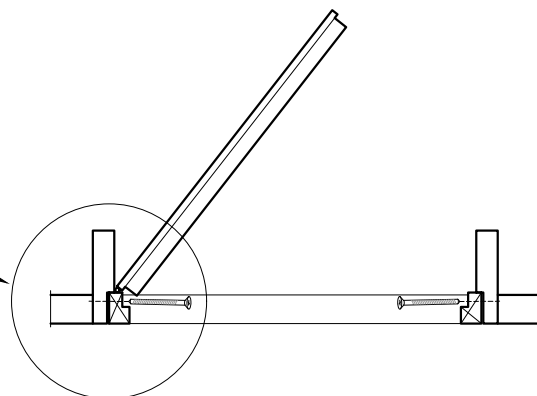
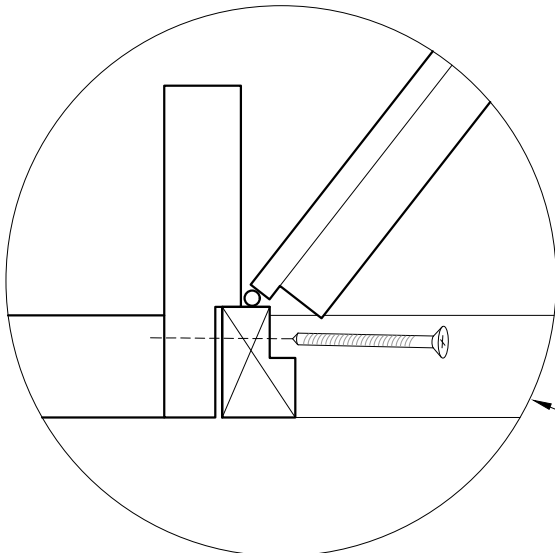
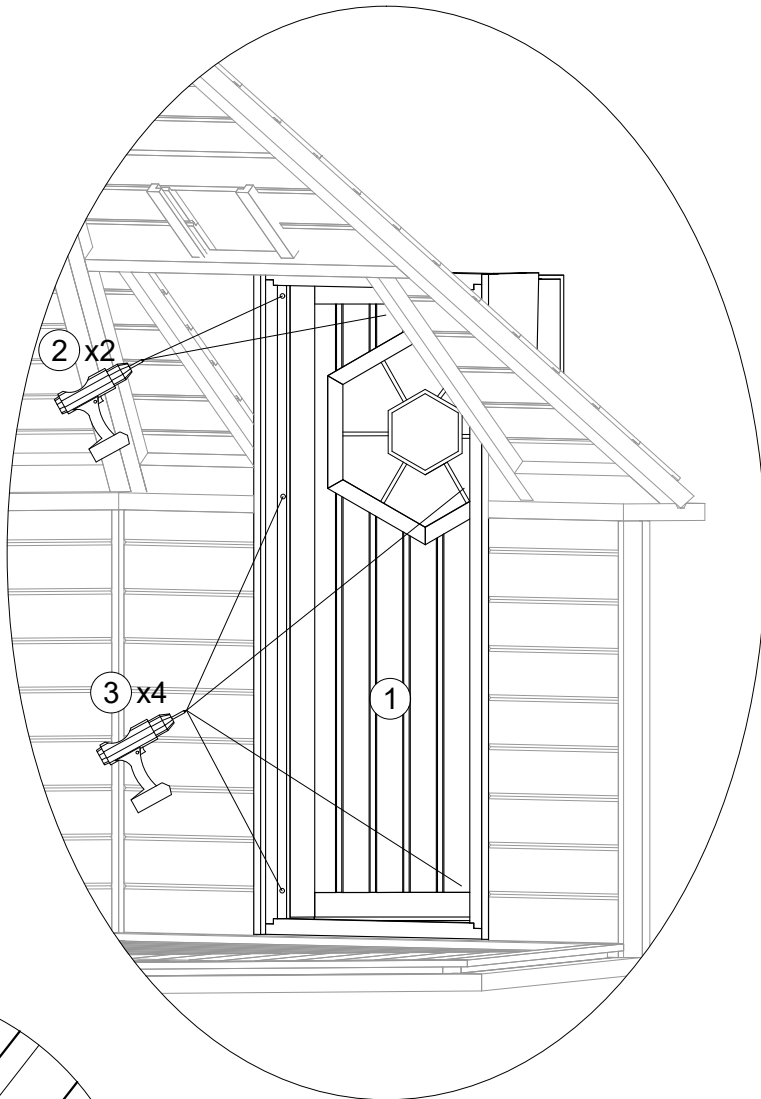


① x1  
PUS00013  
or  
PUS00060  
or  
PUS00317



 x2  
T-BC-4x50

 x4  
T-GC-5x100

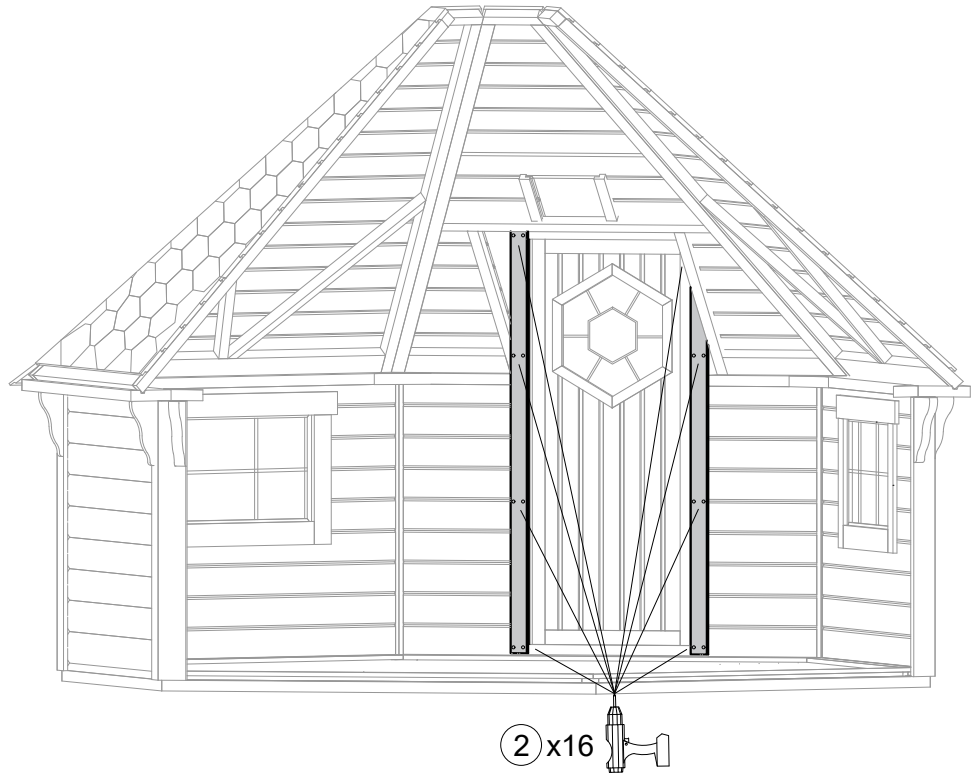
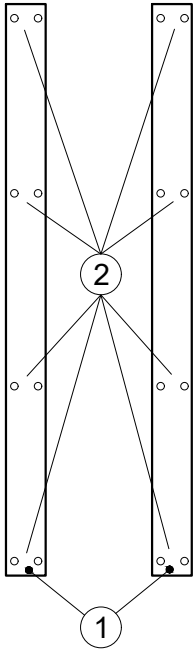


# 9.1 Grill / Camping / Sauna Cabin 9.2 INSIDE FINISHING BOARD

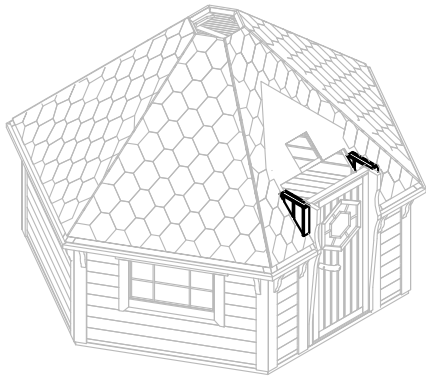
① x2  
M-18x70x1624  
or  
M-18x70x1754  
or  
M-18x70x1884



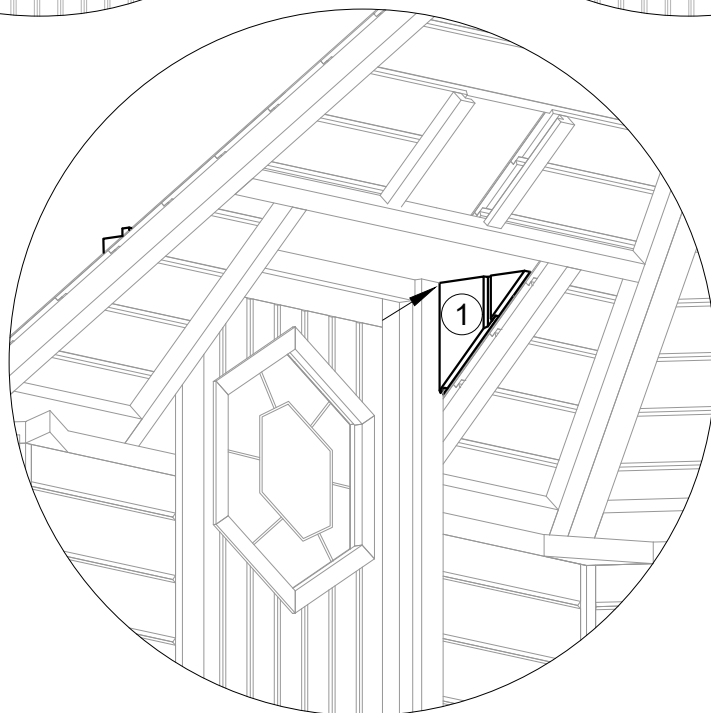
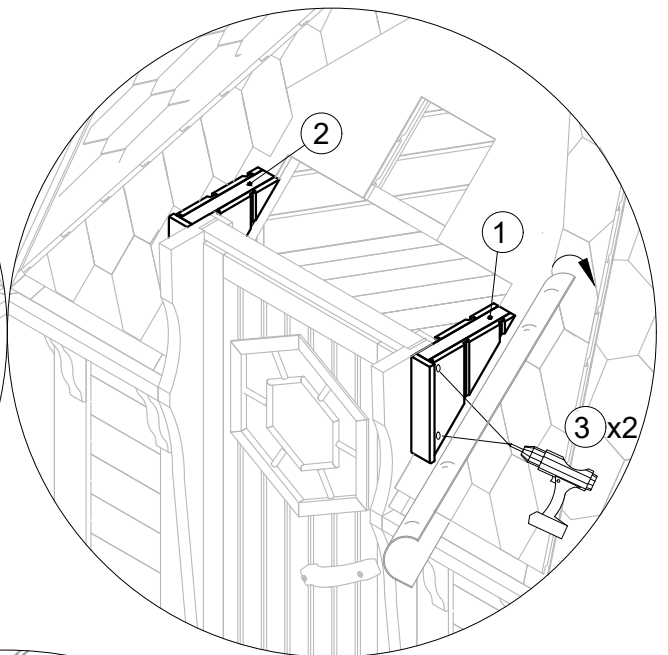
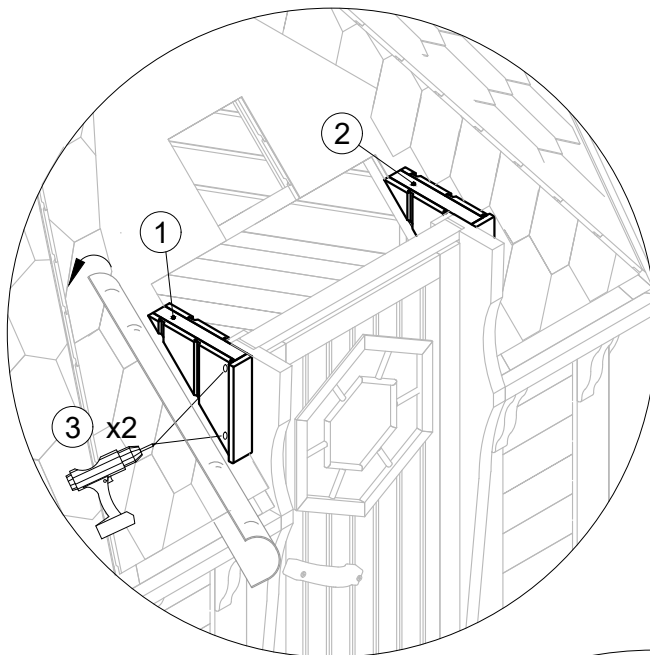
② x16  
T-GC-3.5x45



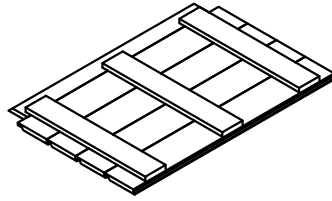
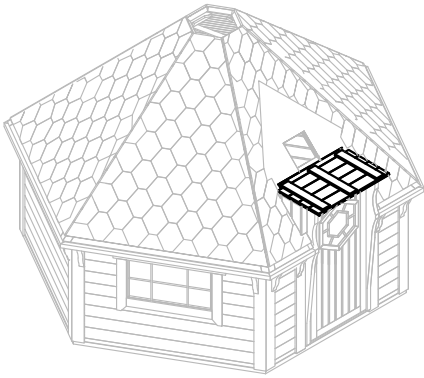
# 10. Grill / Camping / Sauna Cabin 9.2 ENTRANCE ASSEMBLY



- ① x1  
GR-trikamp-313x331-(k)
- ② x1  
GR-trikamp-313x331-(d)
- ③ x4  
T-GC-5x100



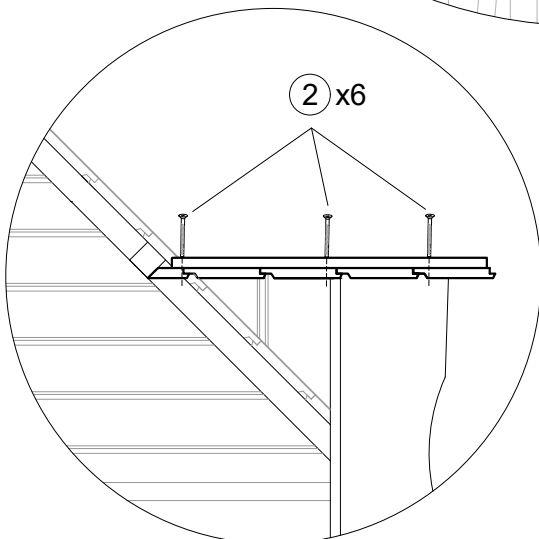
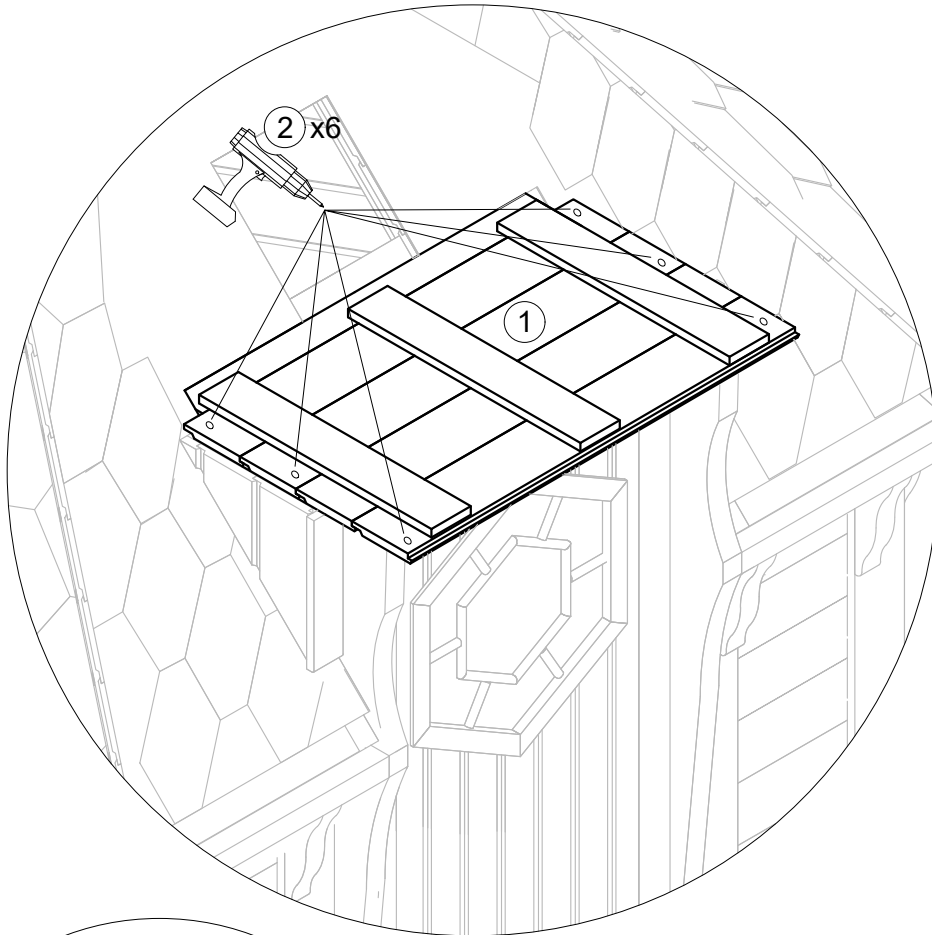
# 10.1 Grill / Camping / Sauna Cabin 9.2 ENTRANCE ASSEMBLY



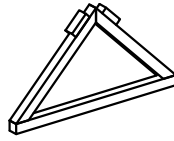
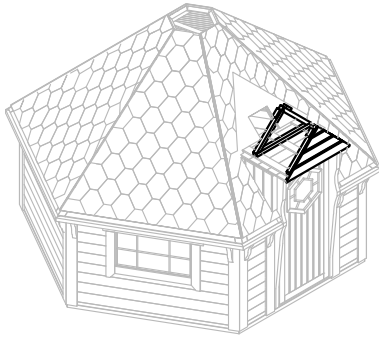
① x1  
GR-lubos-636x939



② x6  
T-GC-4x70

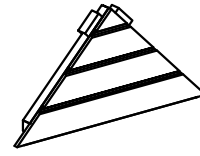


## 10.2 Grill / Camping / Sauna Cabin 9.2 ENTRANCE ASSEMBLY



① x1

GR-Stog-trik-453x815



② x1

GR-Pr-trik-491x981



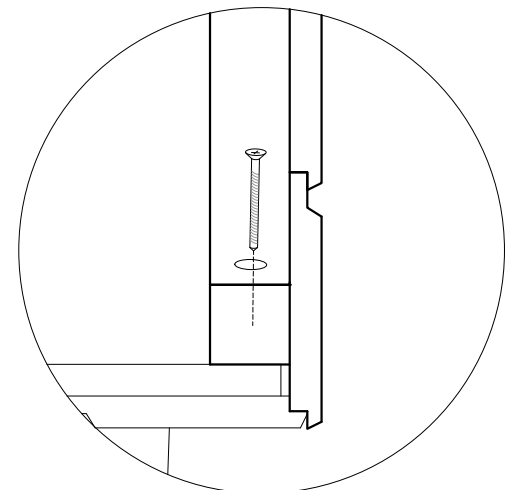
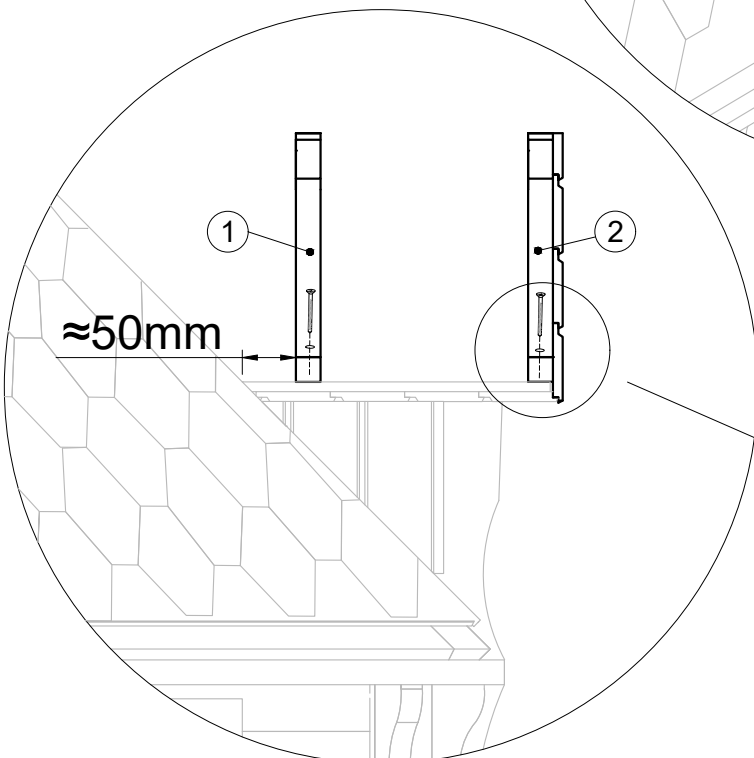
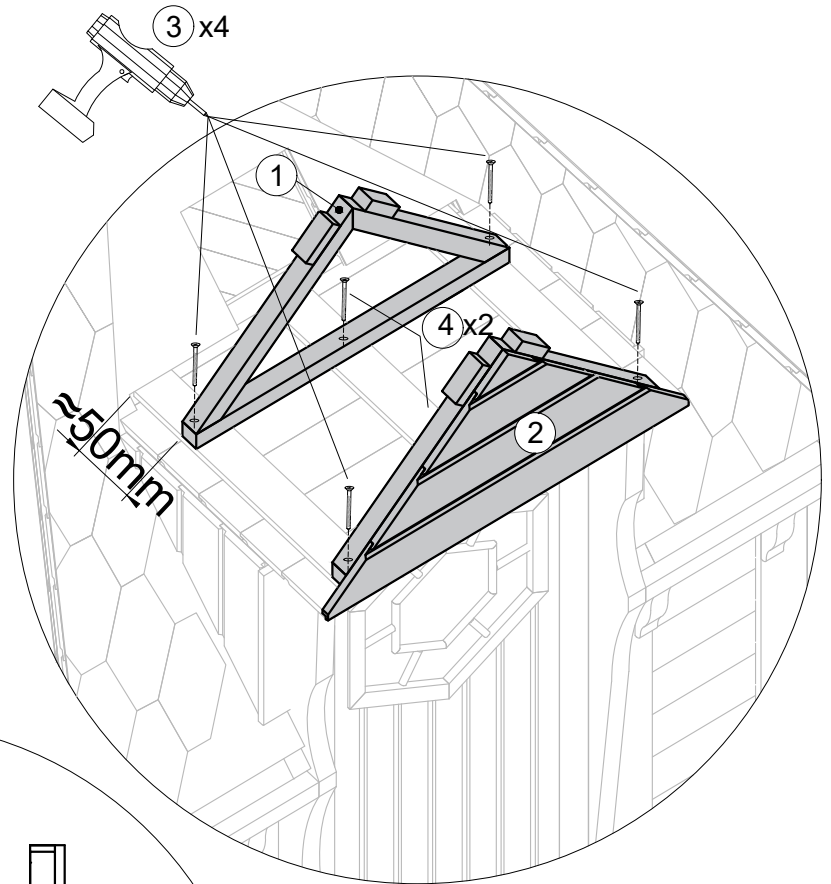
③ x4

T-GC-5x100

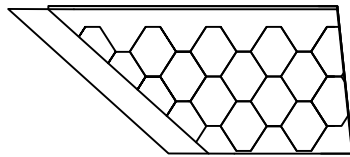
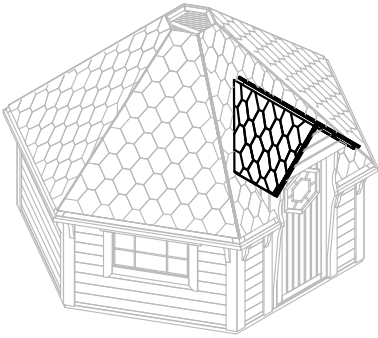


④ x2

T-GC-4x70

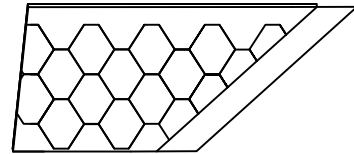


# 10.3 Grill / Camping / Sauna Cabin 9.2 ENTRANCE ASSEMBLY



① x1

GR-Stog-845x1090-(k)



② x1

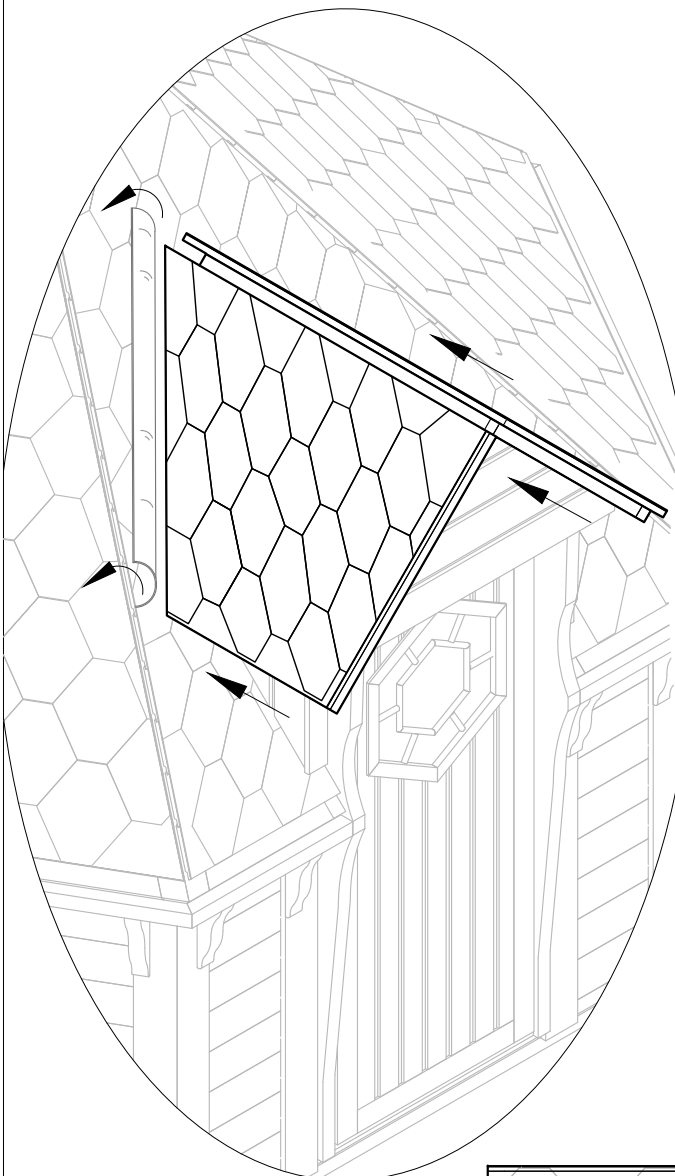
GR-Stog-845x1090-(d)



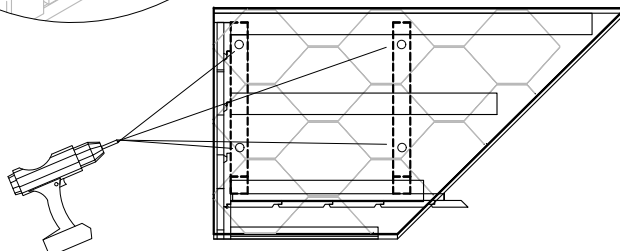
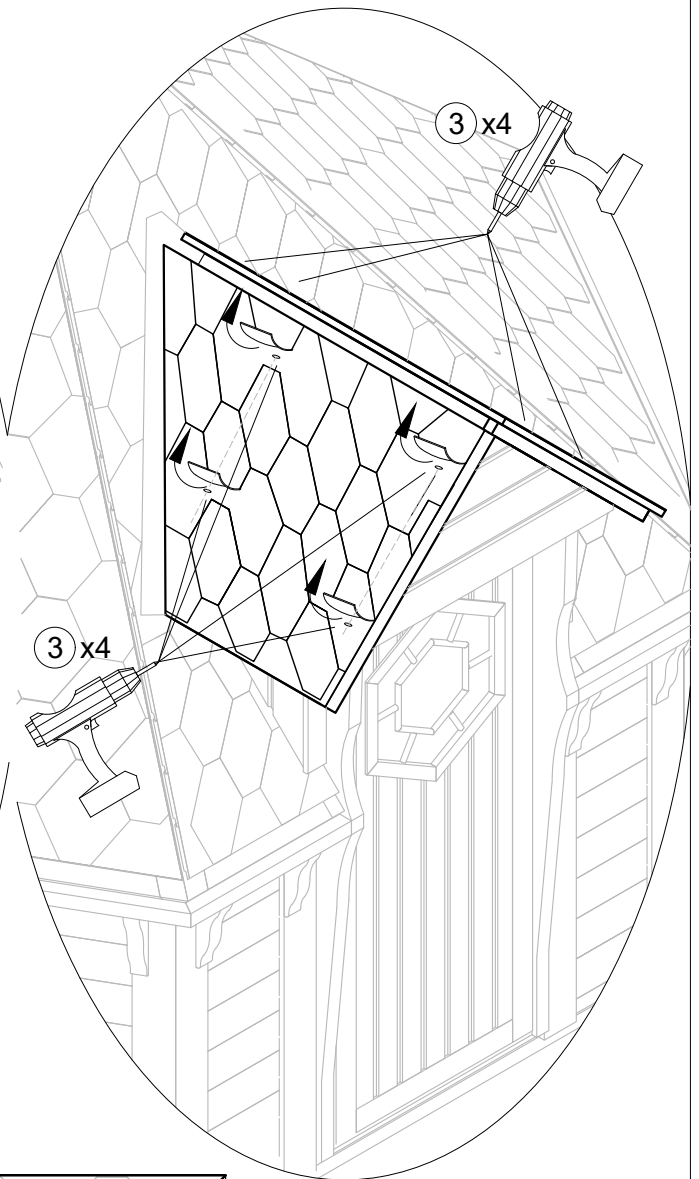
③ x8

T-GC-5x80

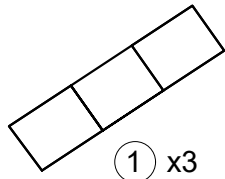
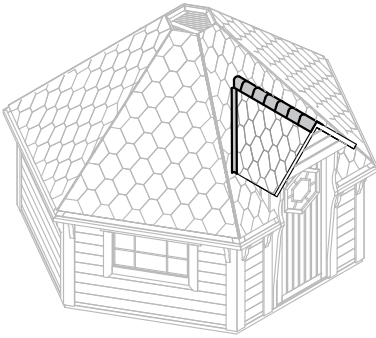
1 Step



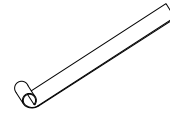
2 Step



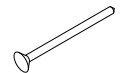
# 10.4 Grill / Camping / Sauna Cabin 9.2 ENTRANCE ASSEMBLY



Bitumines-  
cerpes-3x250x1000

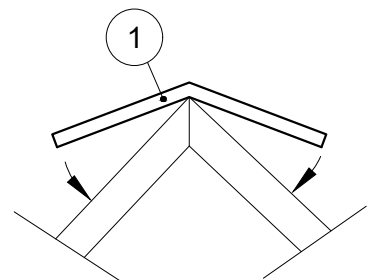
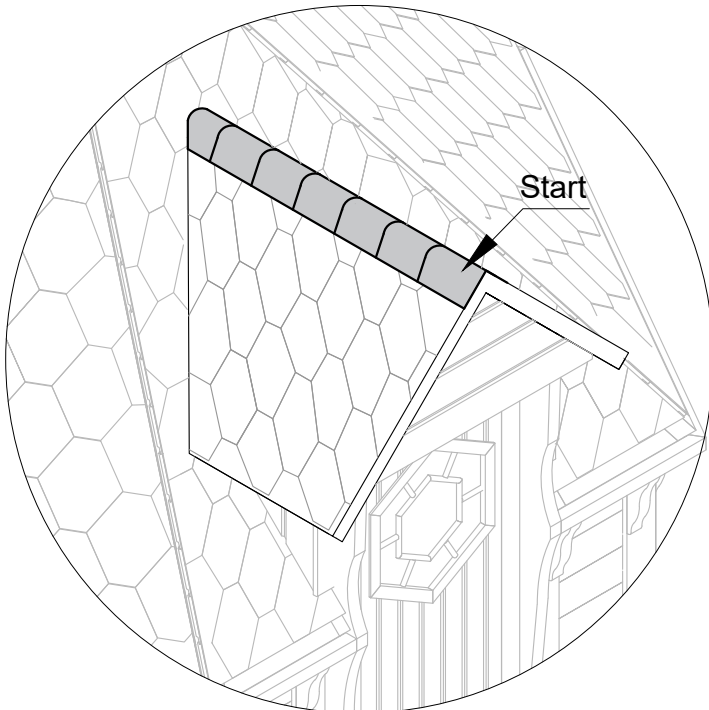


Bitumine-  
juosta-3x70x1360

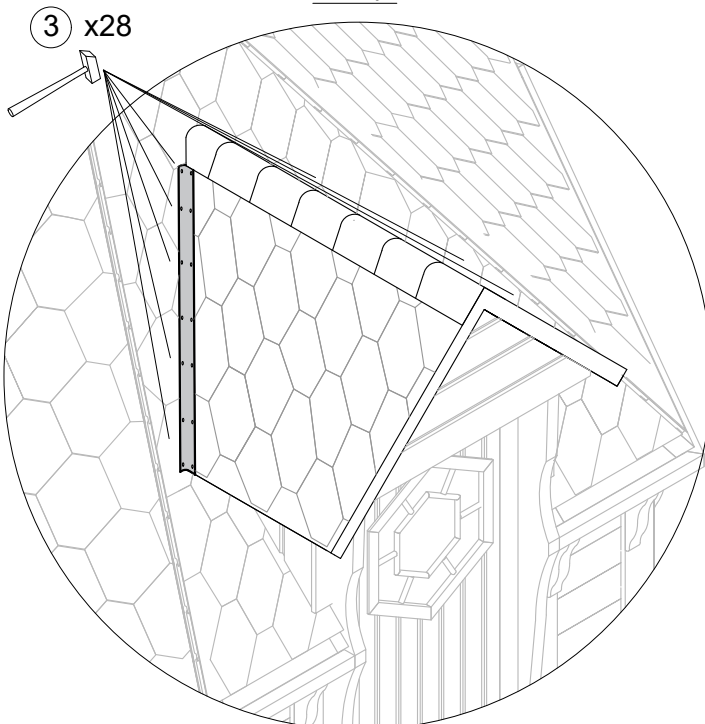


T-V-2x20

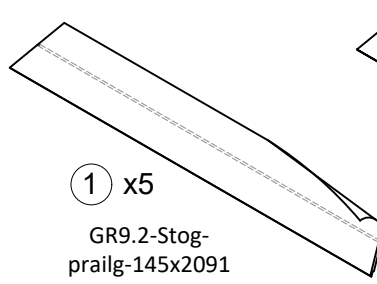
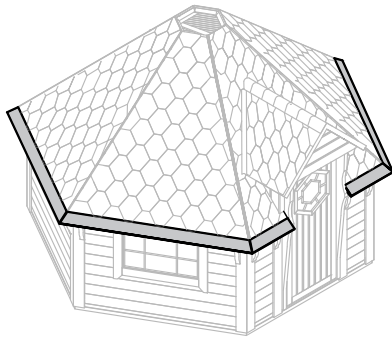
## 1 Step



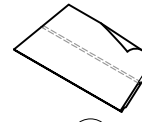
## 2 Step



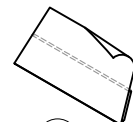
# 11. Grill / Camping / Sauna Cabin 9.2 ROOF FINISHING



① x5  
GR9.2-Stog-  
prailg-145x2091



② x1  
GR9.2-Stog-  
prailg-145x613-(k)

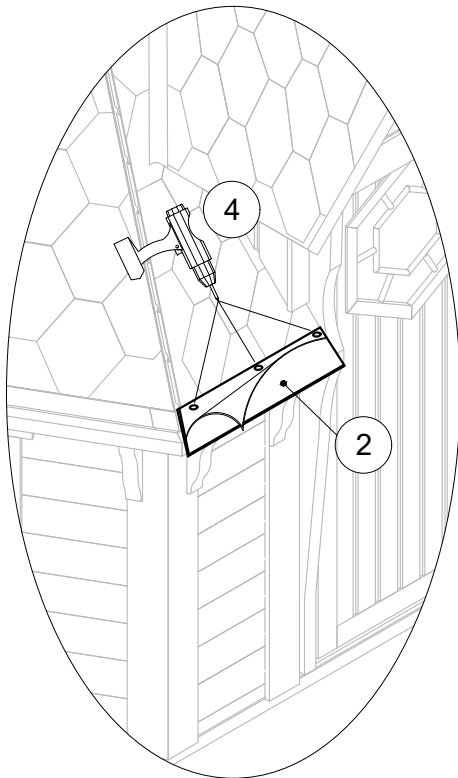


③ x1  
GR9.2-Stog-  
prailg-145x613-(d)

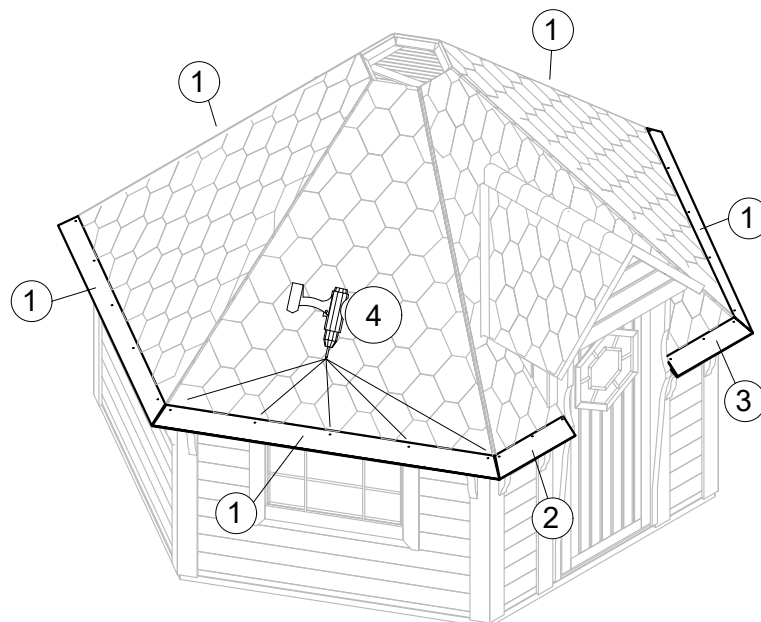
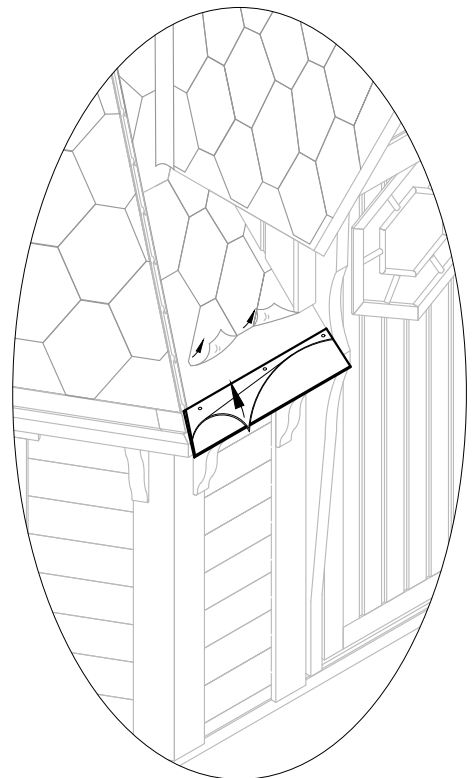
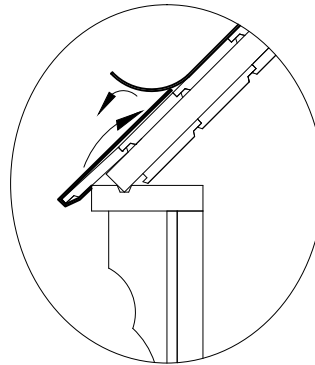
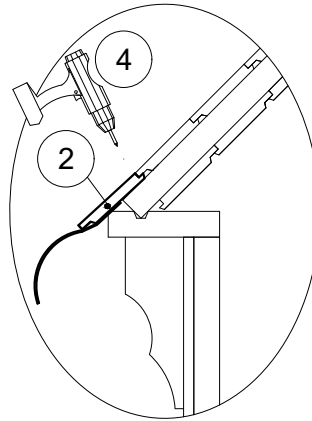


④ x31  
T-BC-4x50

1 Step

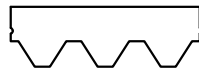
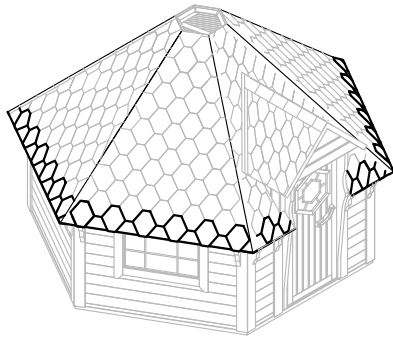


2 Step



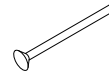


# 11.1 Grill / Camping / Sauna Cabin 9.2 ROOF FINISHING



① x13

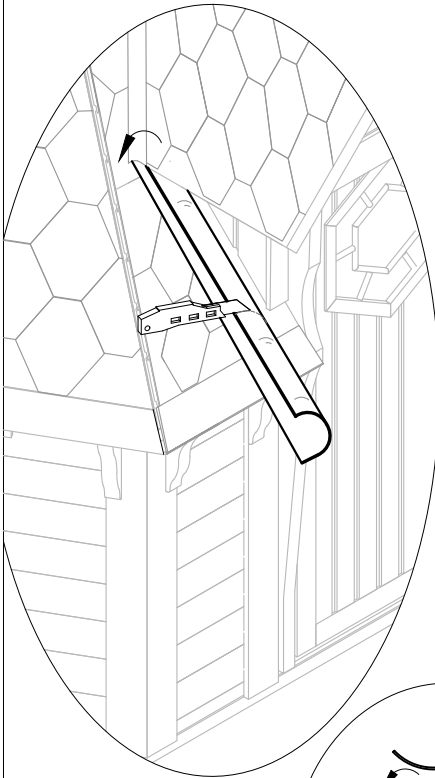
Bituminés-cerpes  
-3x317x1000



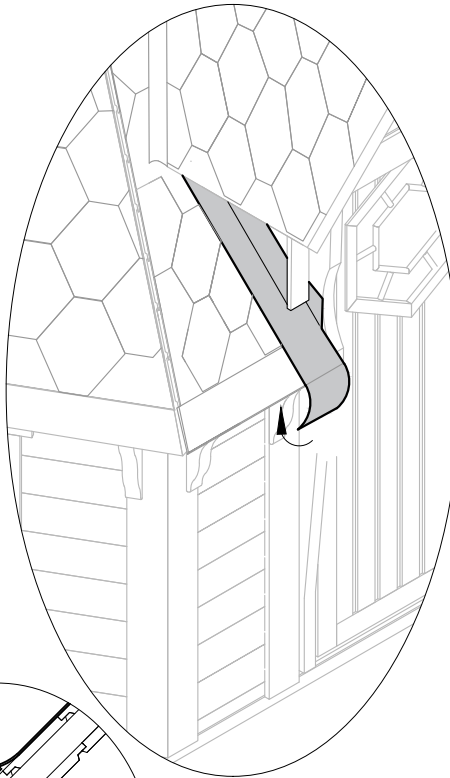
② x 150

T-V-2x20

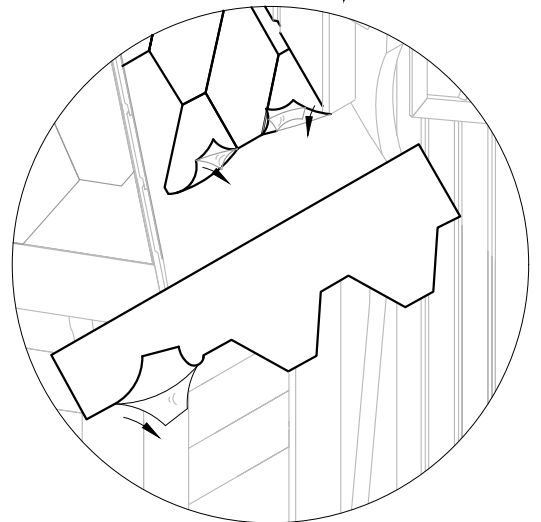
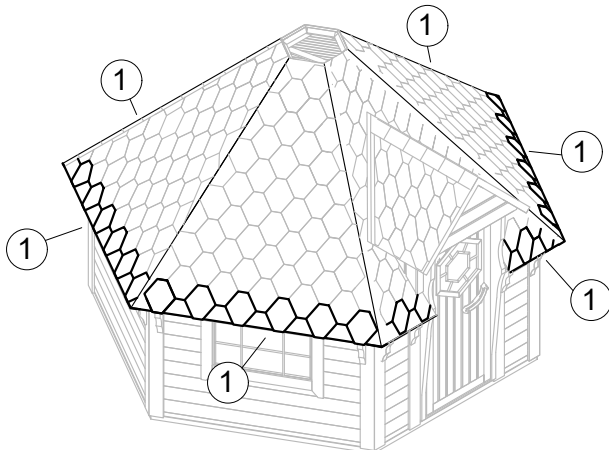
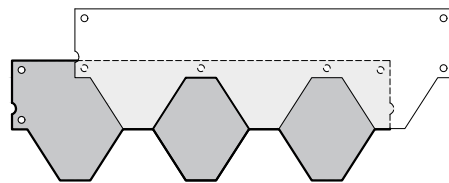
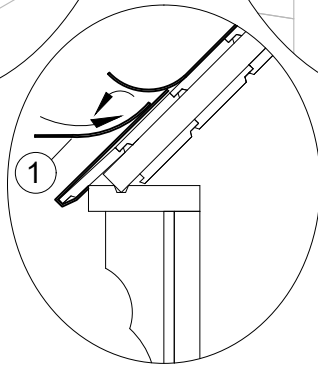
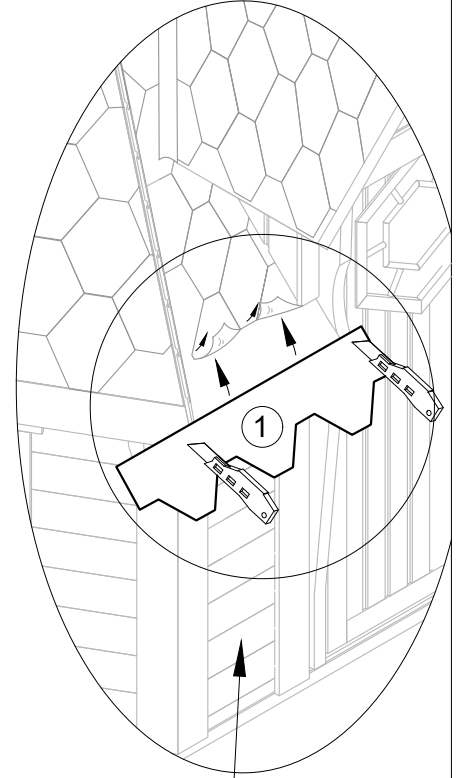
1 Step



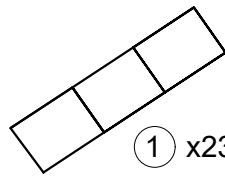
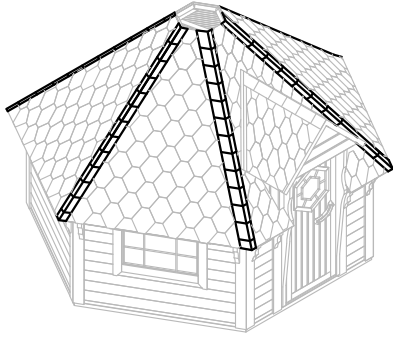
2 Step



3 Step

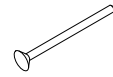


# 11.2 Grill / Camping / Sauna Cabin 9.2 ROOF FINISHING



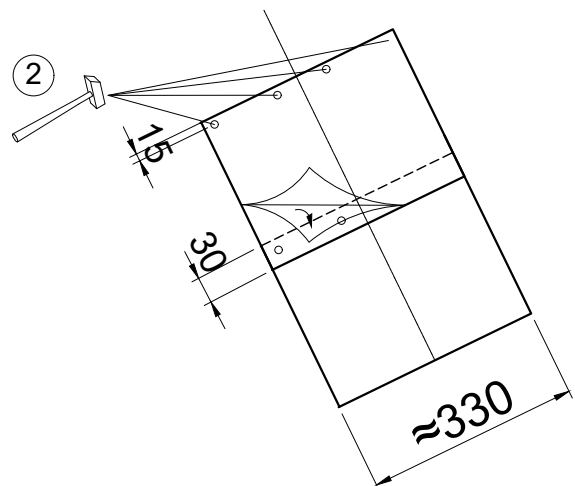
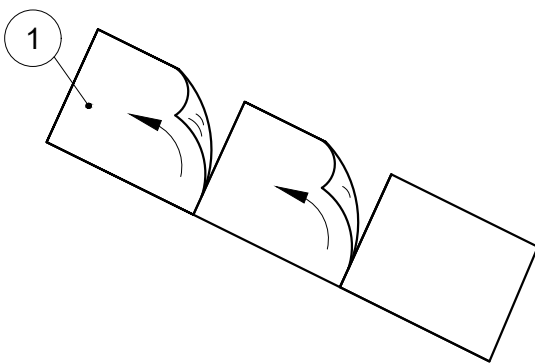
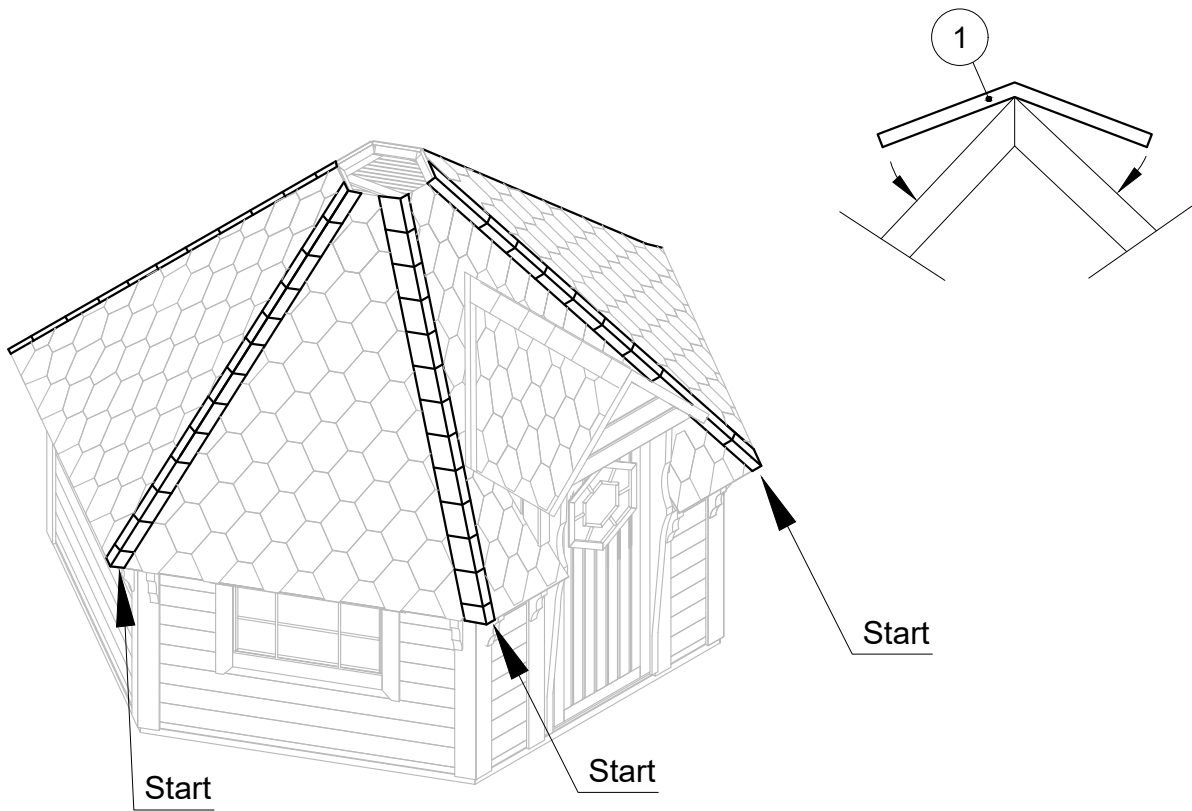
① x23

Bitumines-  
cerpes-3x250x1000

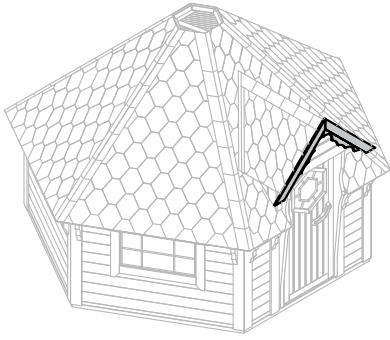


② x 340

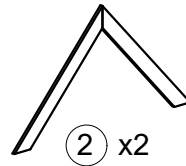
T-V-2x20



## 12. Grill / Camping / Sauna Cabin 9.2 OUTSIDE FINISHING BOARD



① x2  
M-18x95x820-CNC

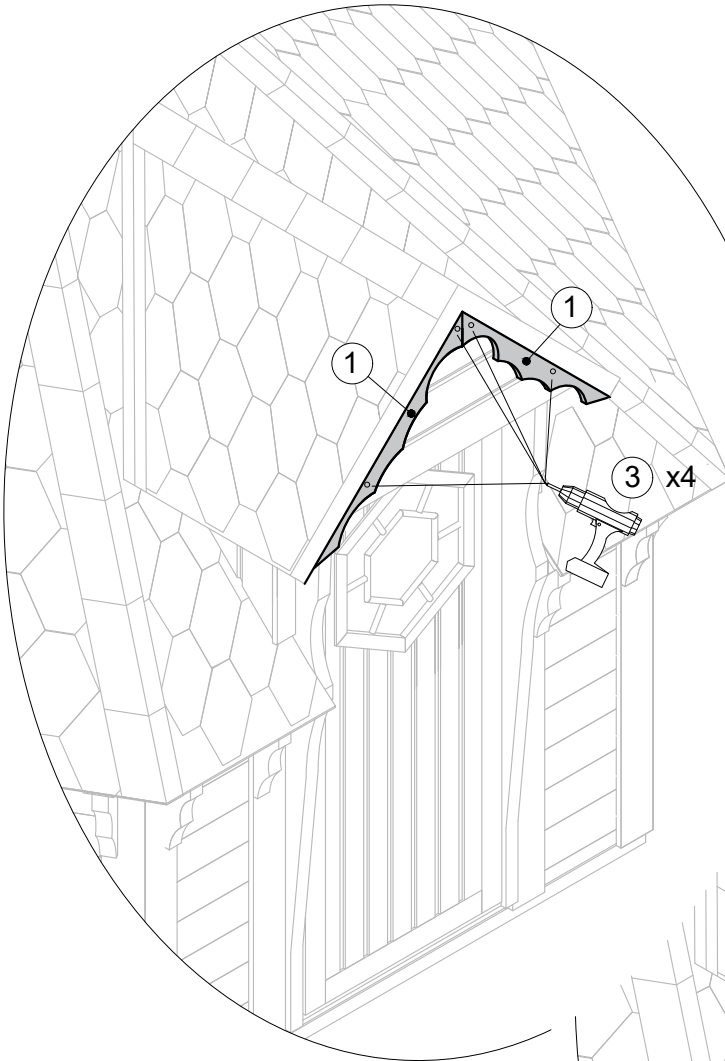


② x2  
M-18x95x1050-F

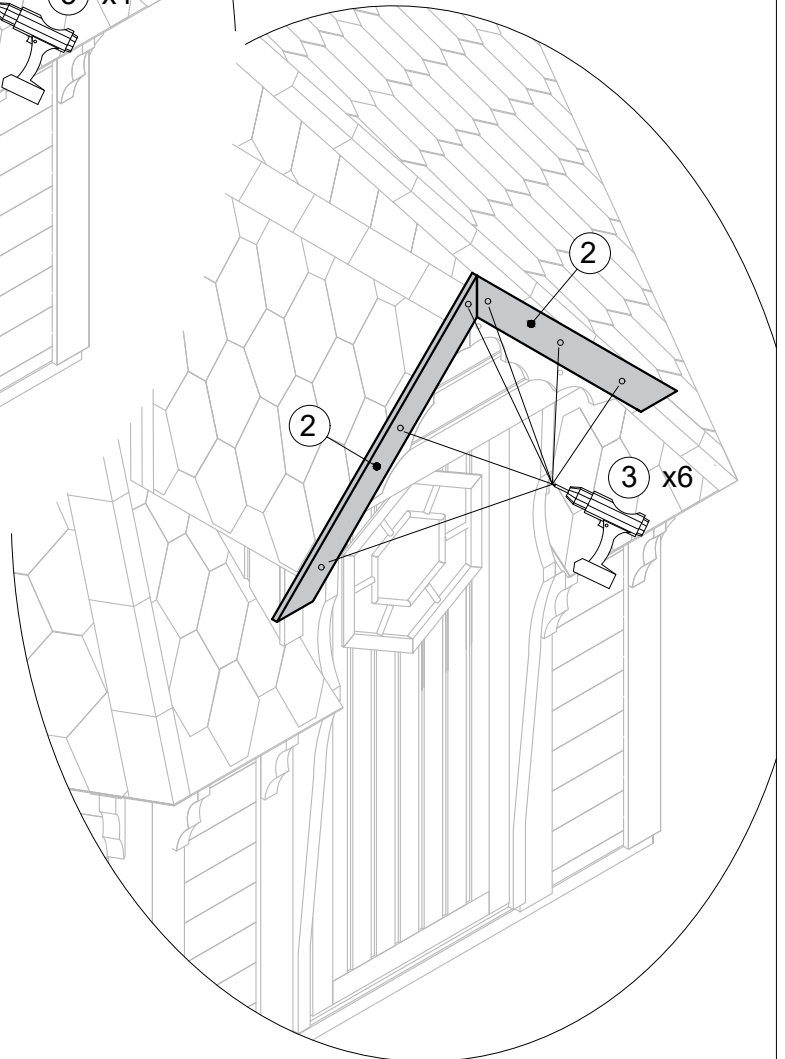


③ x10  
T-GC-3.5x45

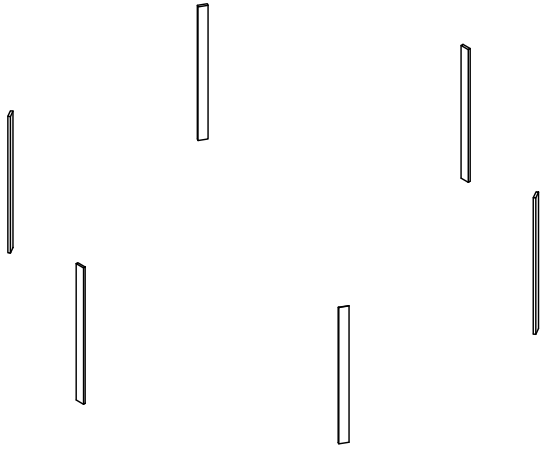
### 1 Step



### 2 Step



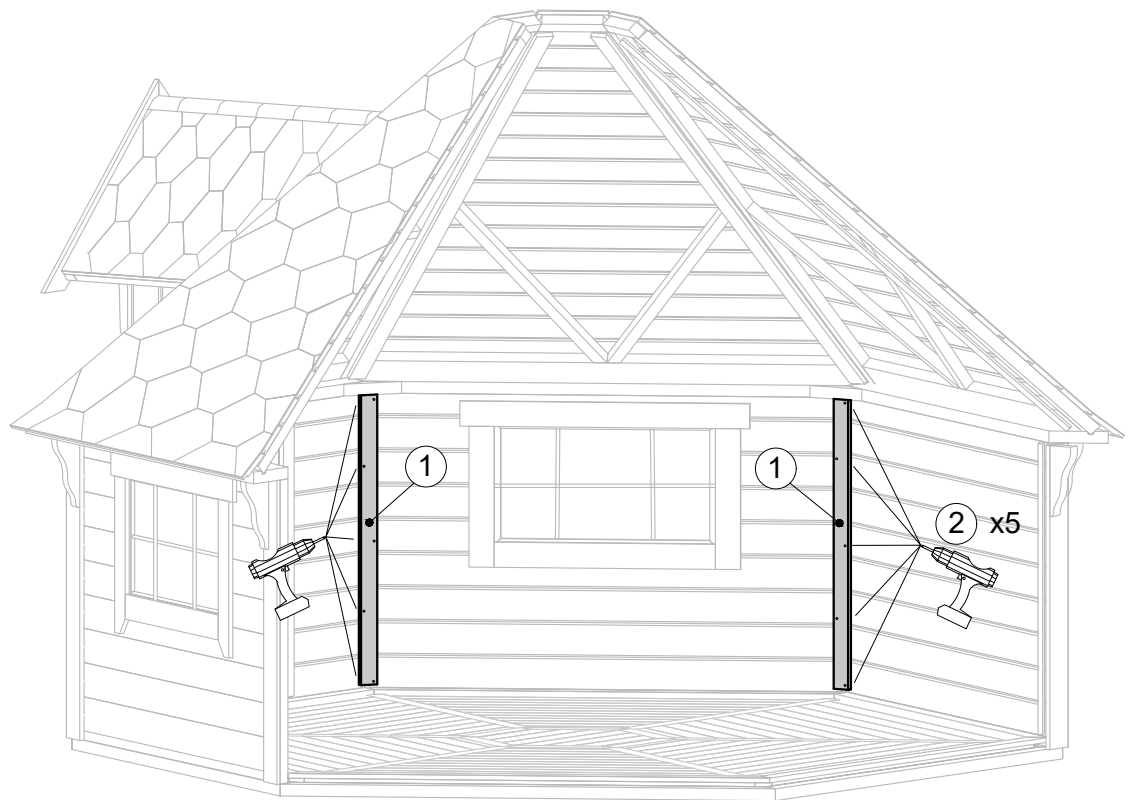
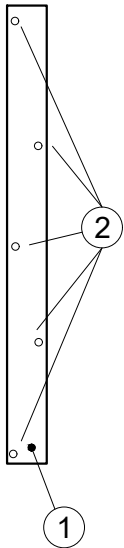
### 13. Grill / Camping / Sauna Cabin 9.2 INSIDE FINISHING BOARD



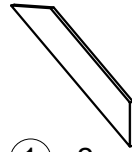
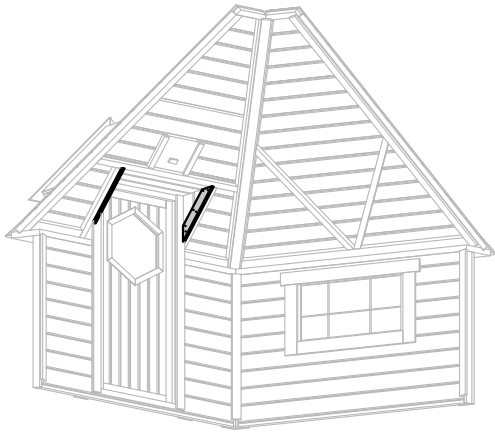
① x6  
M-18x70x1105  
or  
M-18x70x1235  
or  
M-18x70x1365



② x36  
T-GC-3.5x45



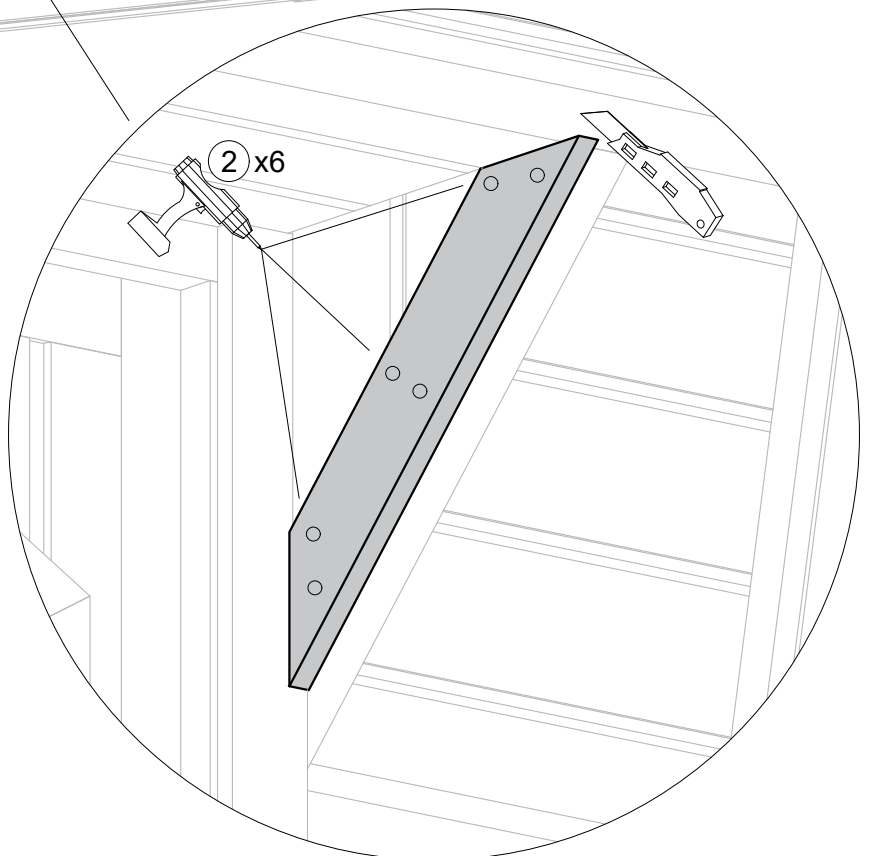
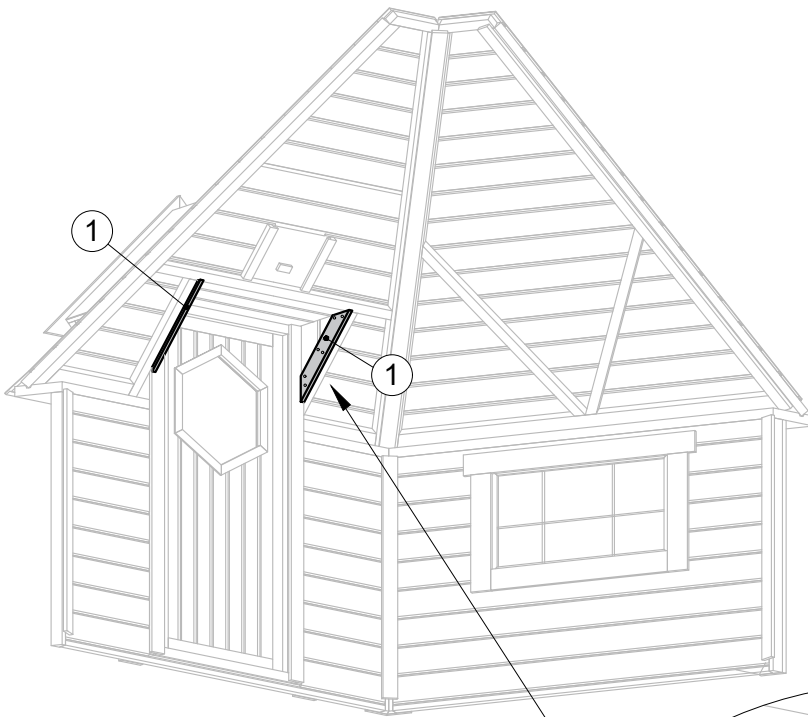
13.1 Grill / Camping / Sauna Cabin 9.2  
INSIDE FINISHING BOARD



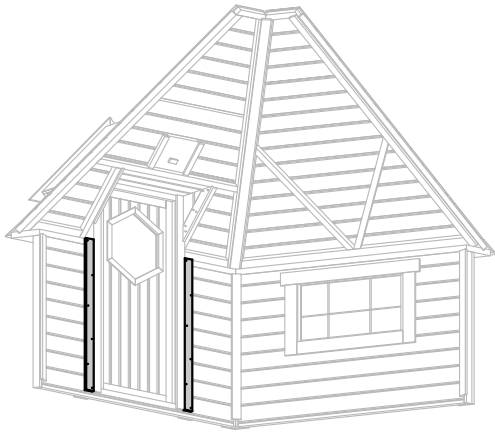
① x2  
M-18x83x488-F



② x12  
T-GC-3.5x45



13.2 Grill / Camping / Sauna Cabin 9.2  
INSIDE FINISHING BOARD



① x2

M-18x70x1150

or

M-18x70x1280

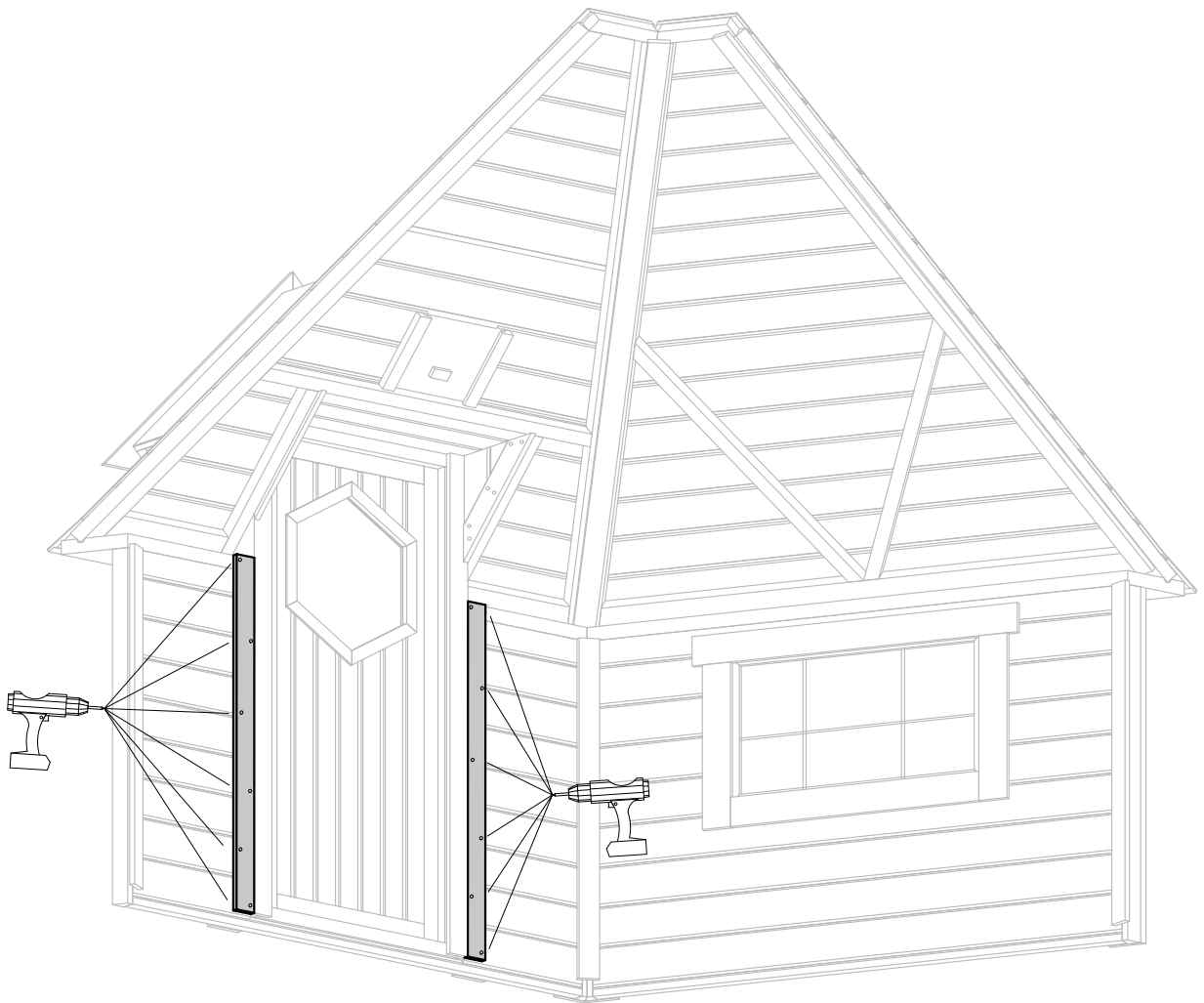
or

M-18x70x1410

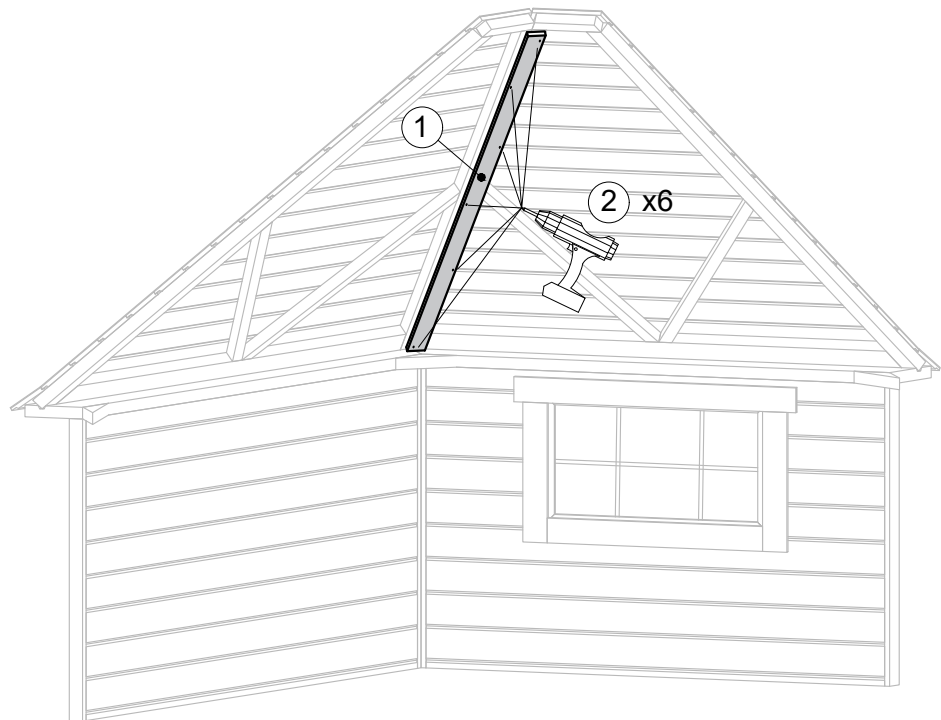
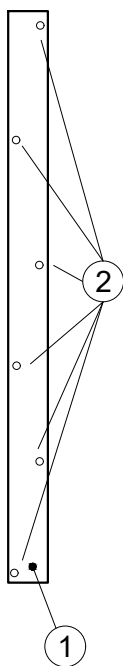
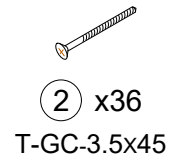
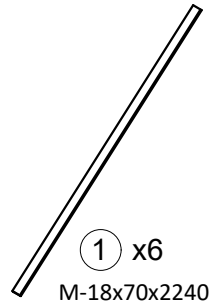
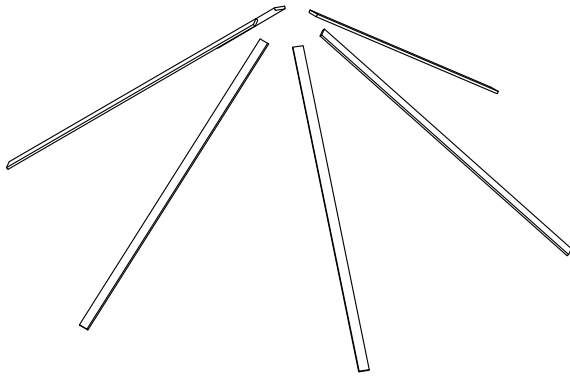


② x12

T-GC-3.5x45



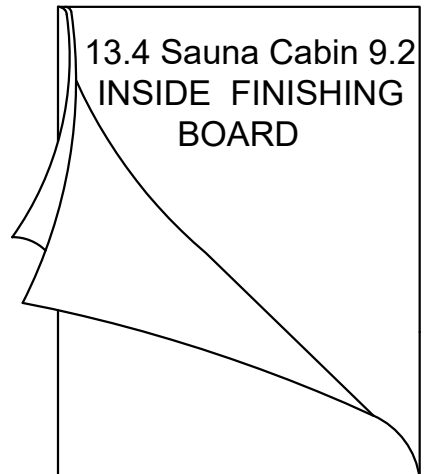
13.3 Grill / Camping / Sauna Cabin 9.2  
INSIDE FINISHING BOARD



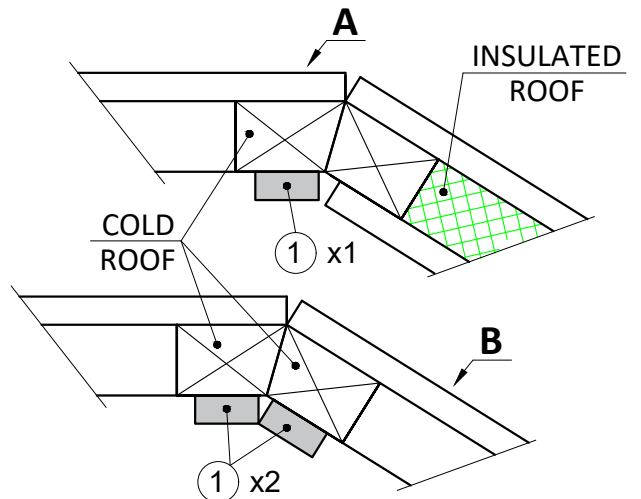
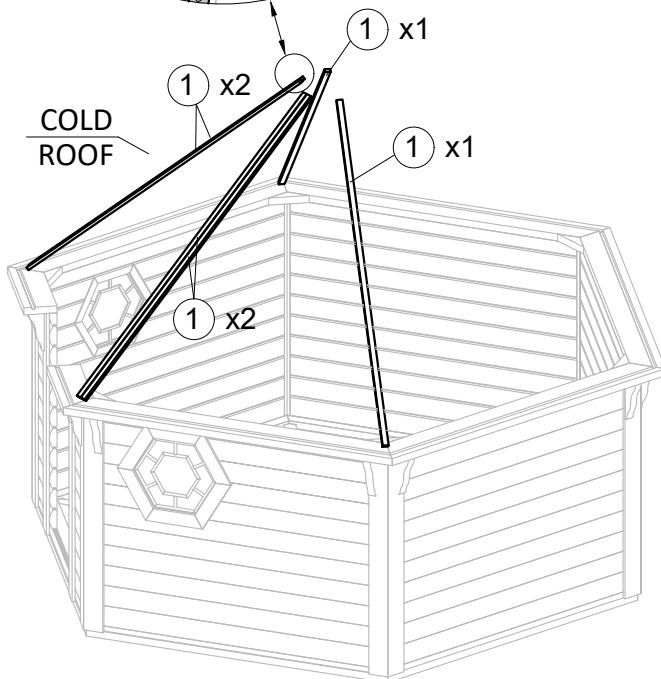
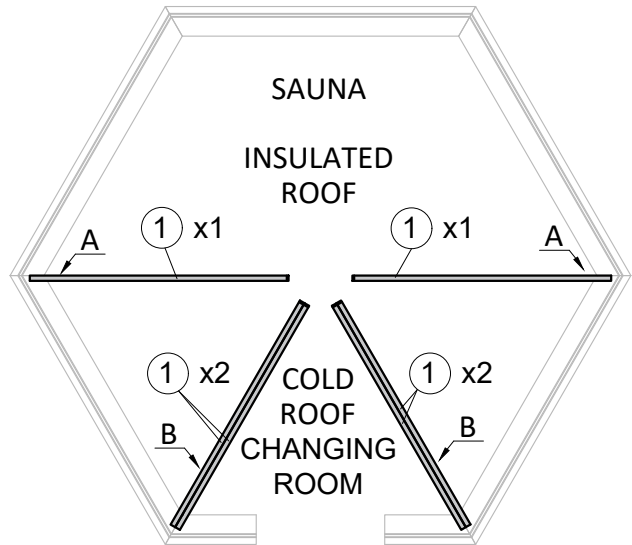
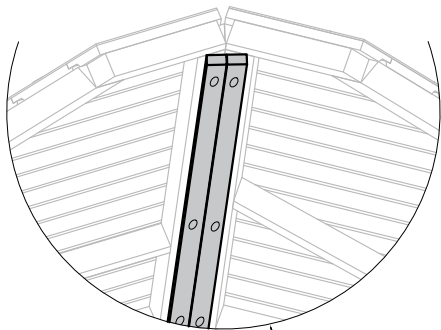
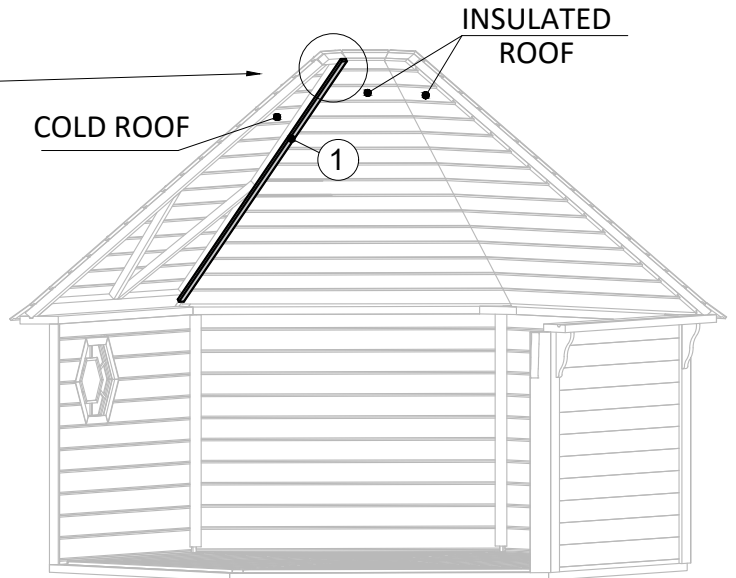
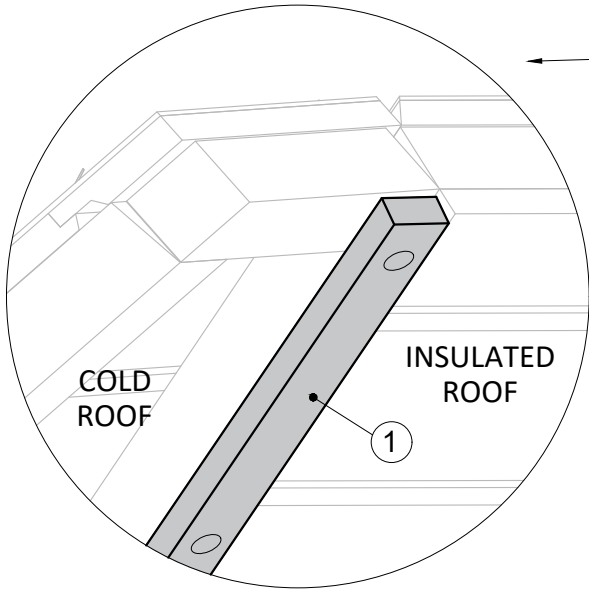
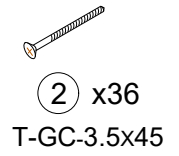
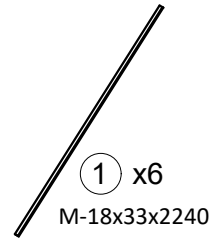
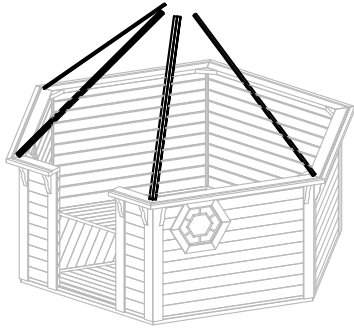
IF Sauna Cabin 9.2  
WITH CHANGING ROOM



13.4 Sauna Cabin 9.2  
INSIDE FINISHING  
BOARD

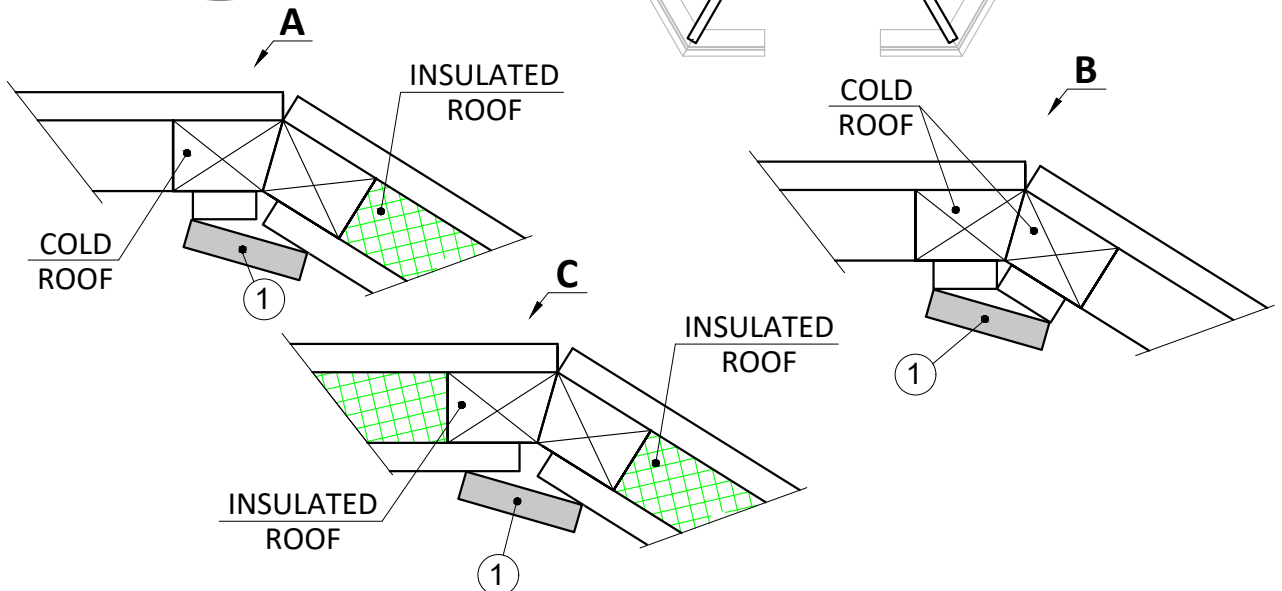
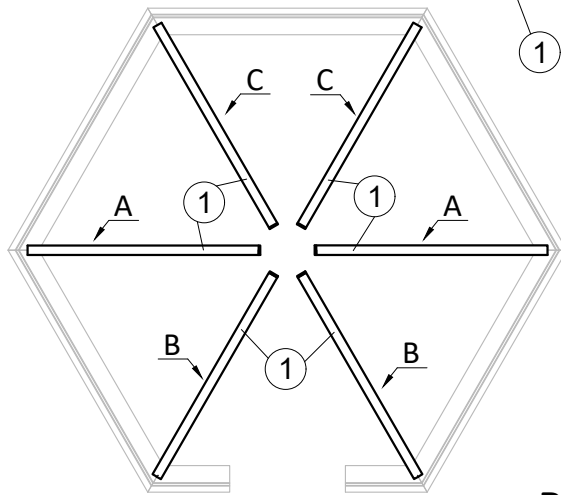
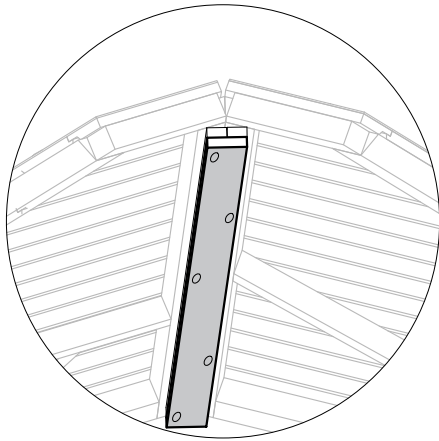
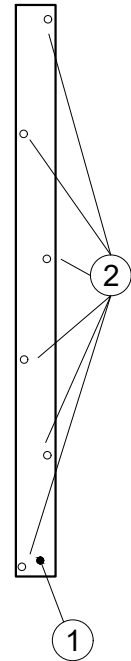
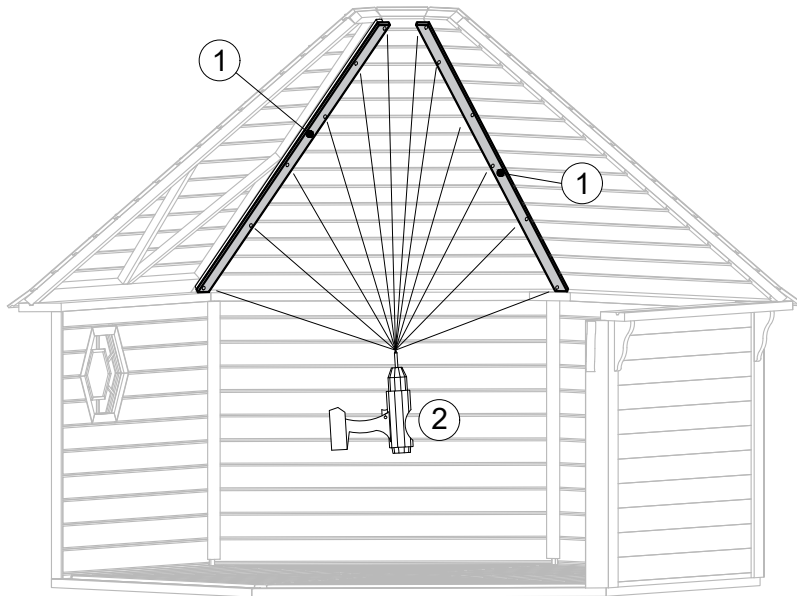
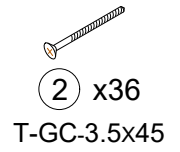
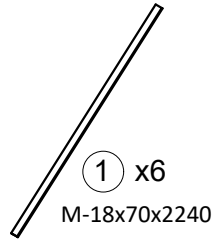
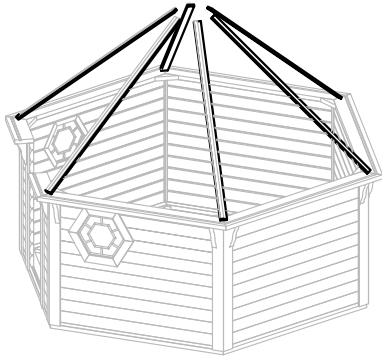


# 13.4 Sauna Cabin 9.2 INSIDE FINISHING BOARD

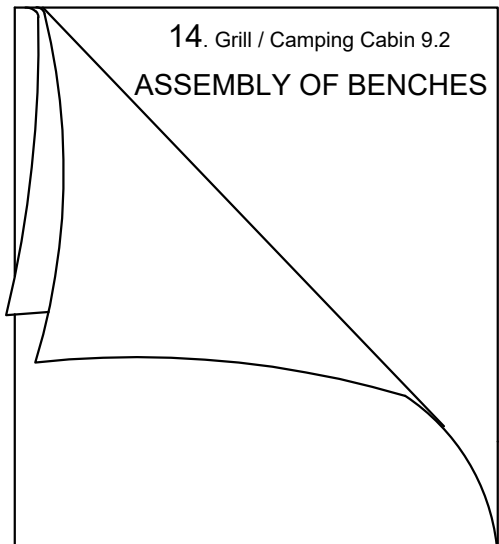
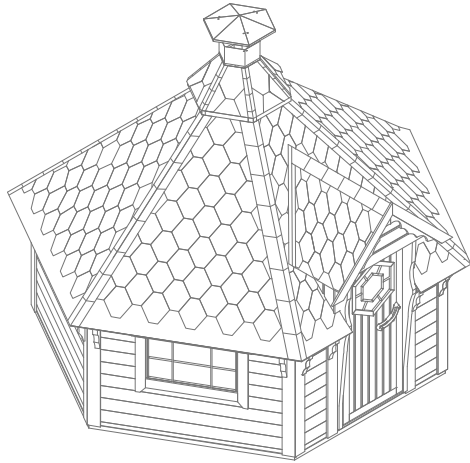




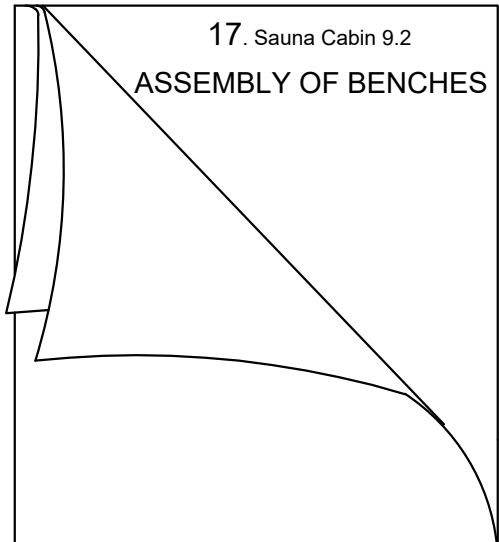
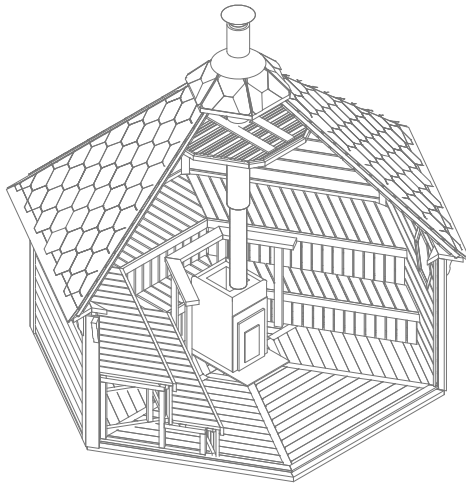
# 13.5 Sauna Cabin 9.2 INSIDE FINISHING BOARD



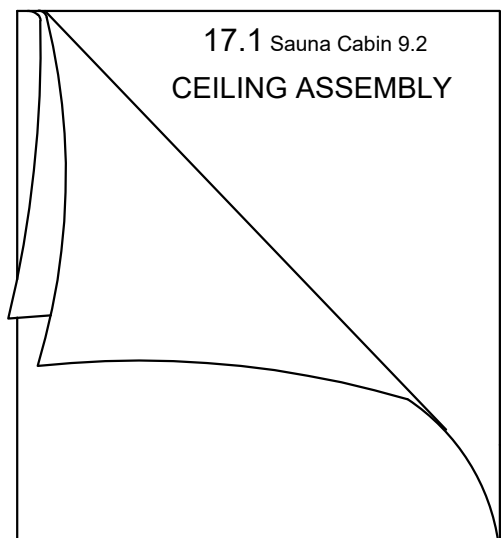
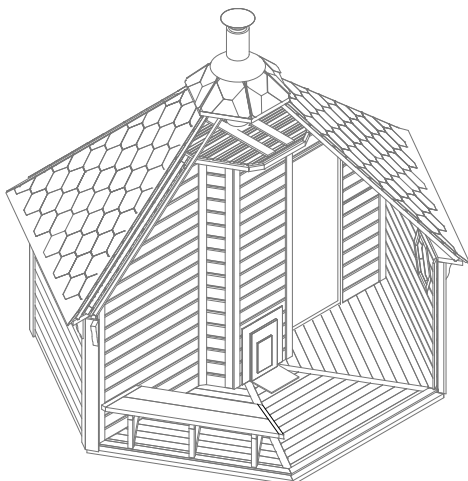
## GRILL / CAMPING CABIN 9.2



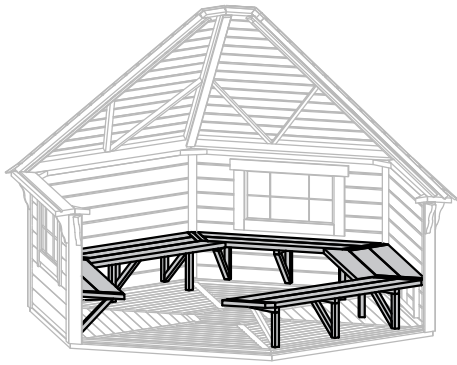
## SAUNA CABIN 9.2



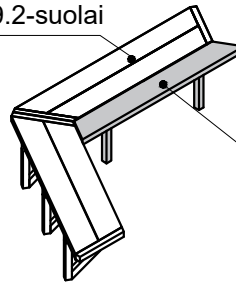
## SAUNA CABIN 9.2 WITH CHANGING ROOM



# 14. Grill / Camping Cabin 9.2 ASSEMBLY OF BENCHES



① x5  
GR9.2-suolai



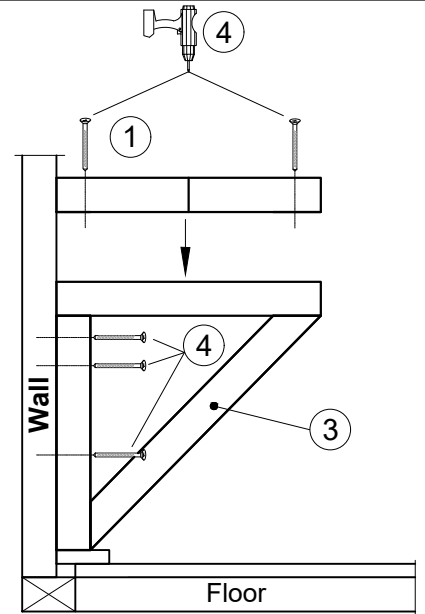
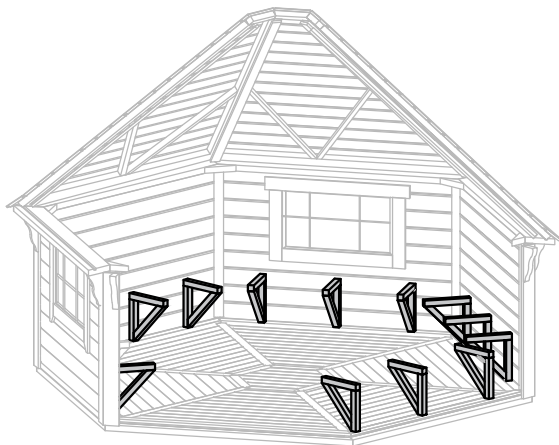
② x2  
GR9.2-suolu-  
praplatinimas

③ x15  
GR-suolu-  
kojos

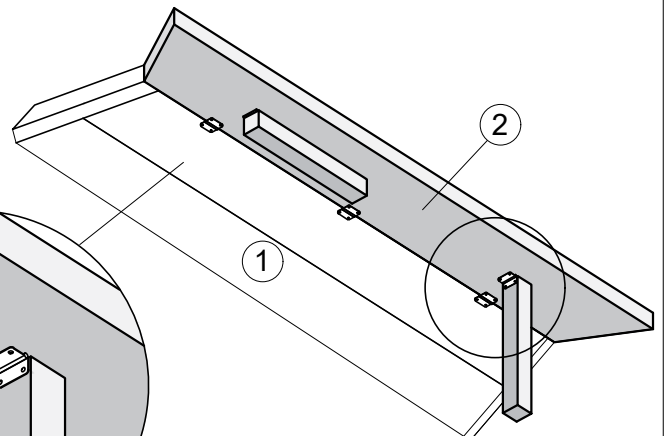
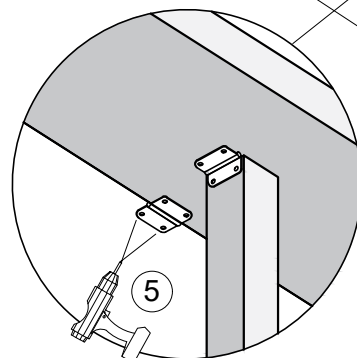
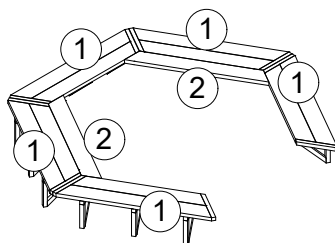
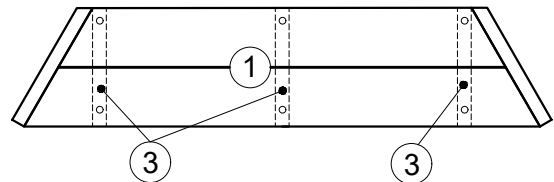
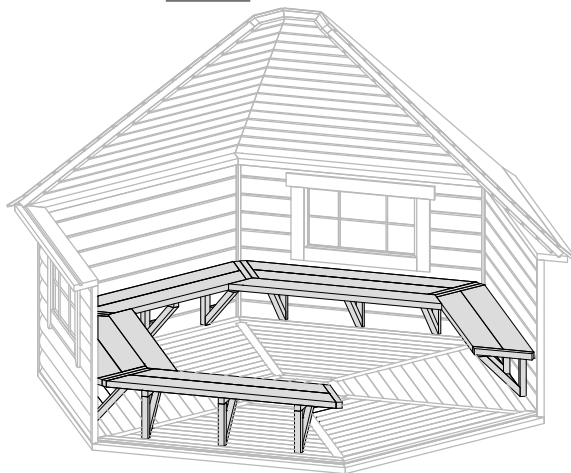
④ x75  
T-GC-6x80

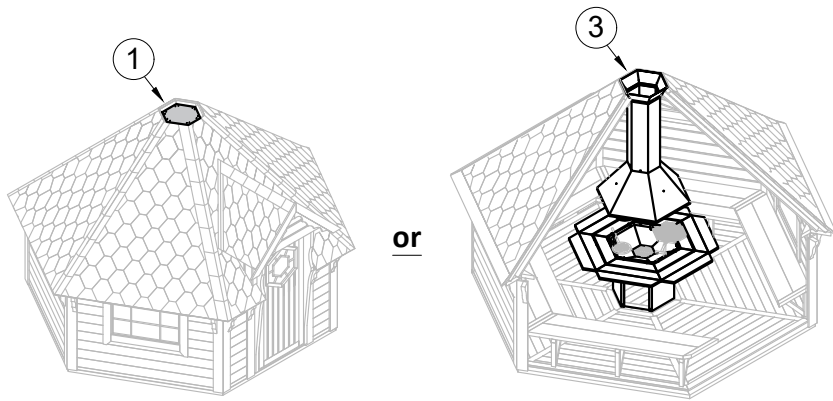
⑤ x12  
T-GC-3x30

## 1 Step



## 2 Step

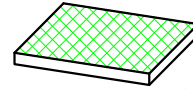




### 15. Grill Cabin 9.2

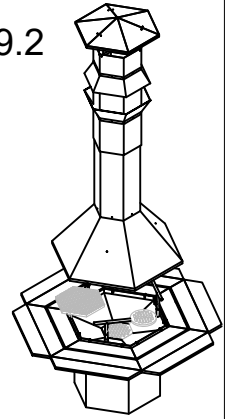


① x1  
GR6k-Stog-  
dangtis-433x500

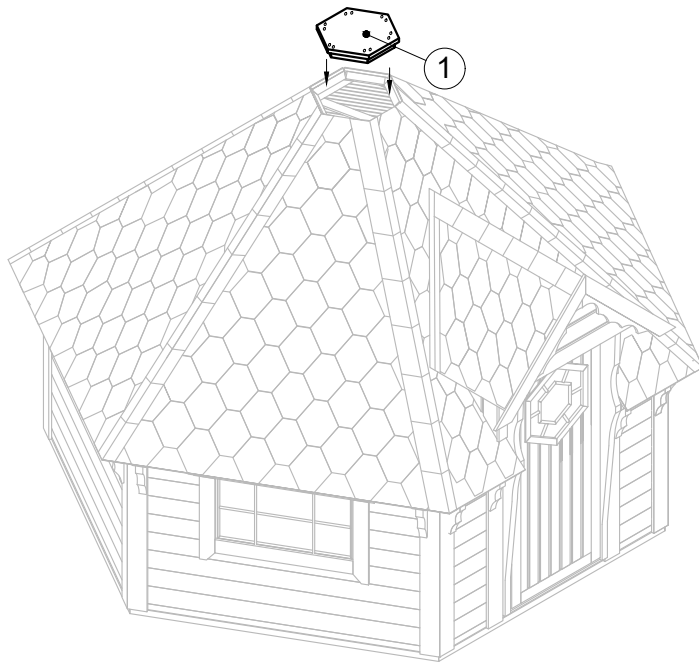


If insulated roof

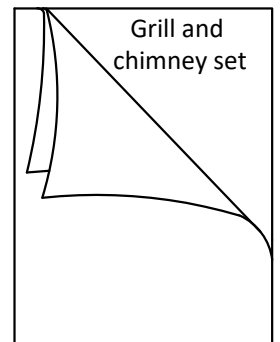
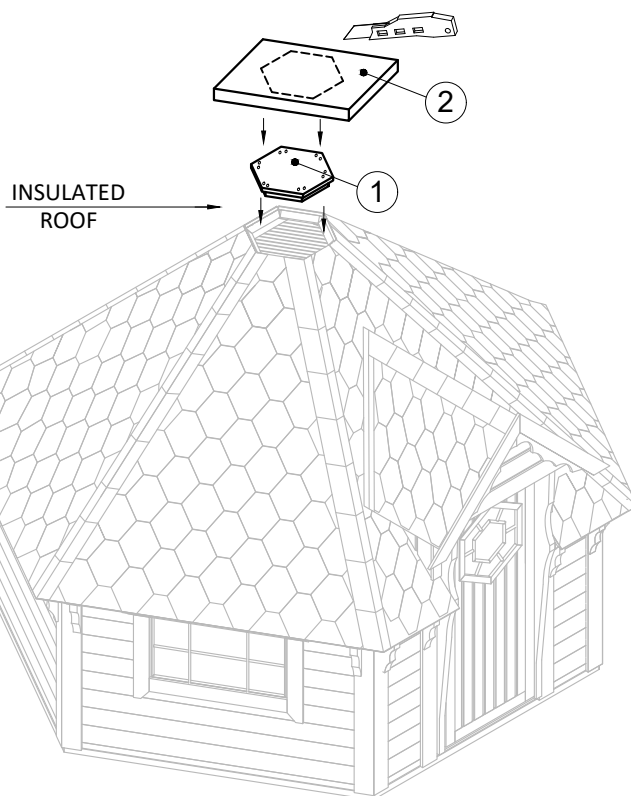
② x1  
Akmens  
vata



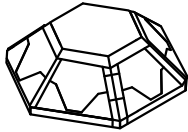
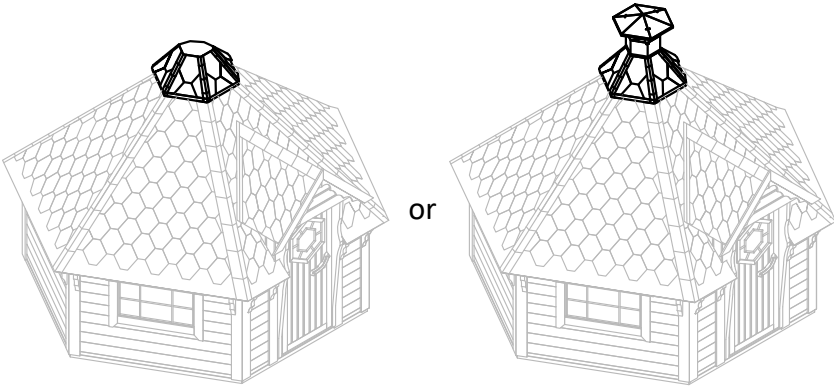
③ x1  
GRC06  
or  
GRCV01  
or  
GRL06  
or  
GRP06



**or**



16. Grill / Camping Cabin 9.2  
ROOF HAT



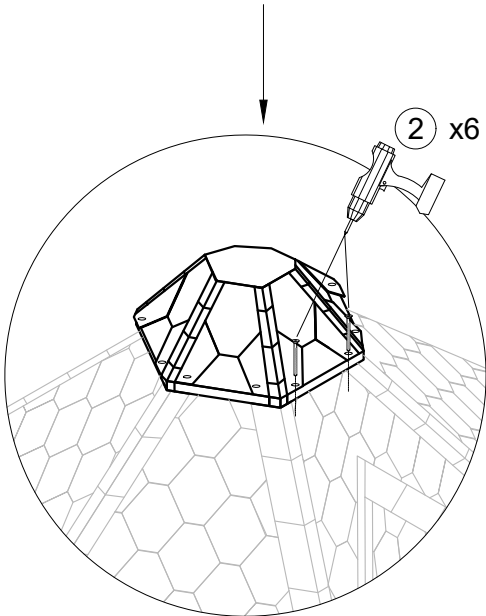
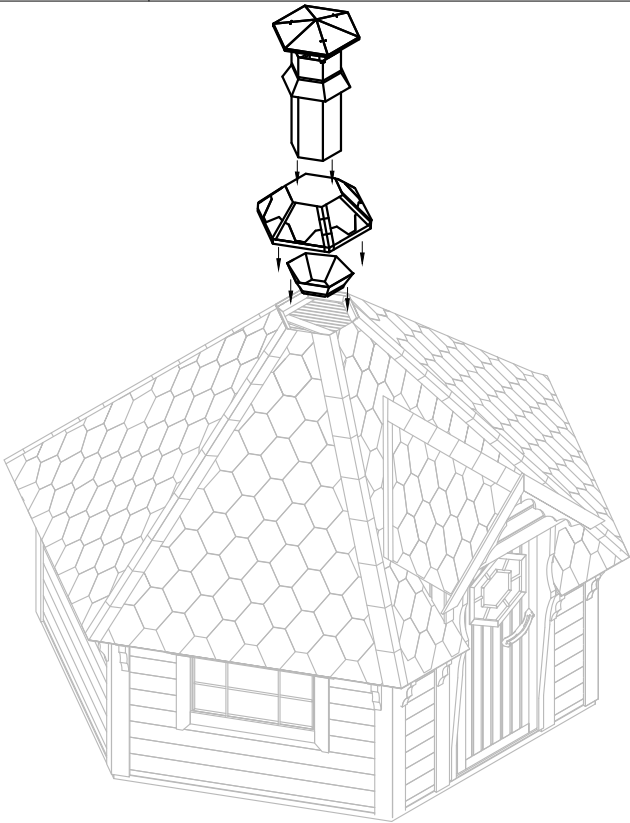
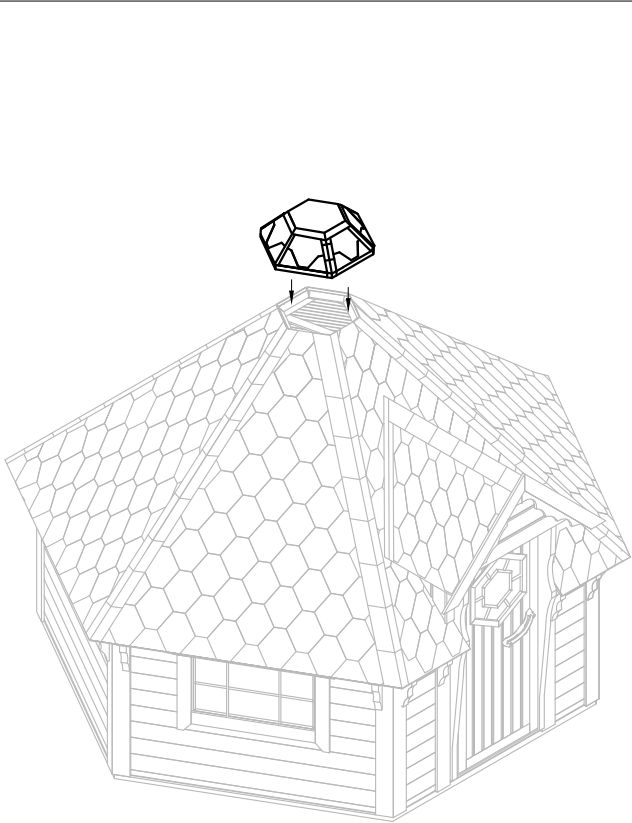
① x1

GR6k-Kepures-dangtis  
or  
GR6k-Kepure

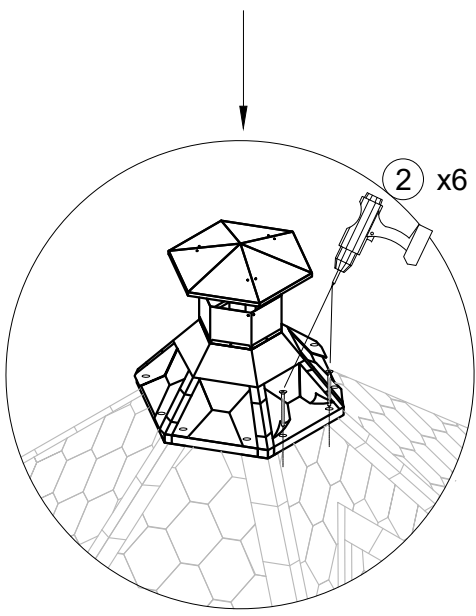


② x6

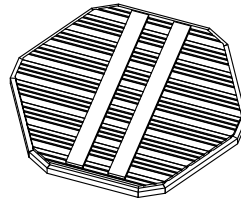
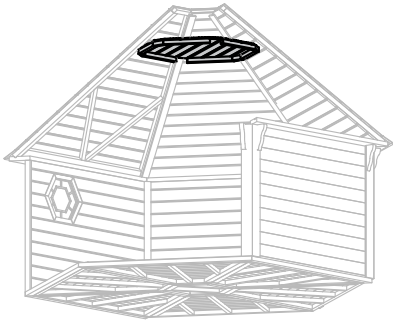
T-GC-4x70



or



## 17. Sauna Cabin 9.2 CEILING ASSEMBLY



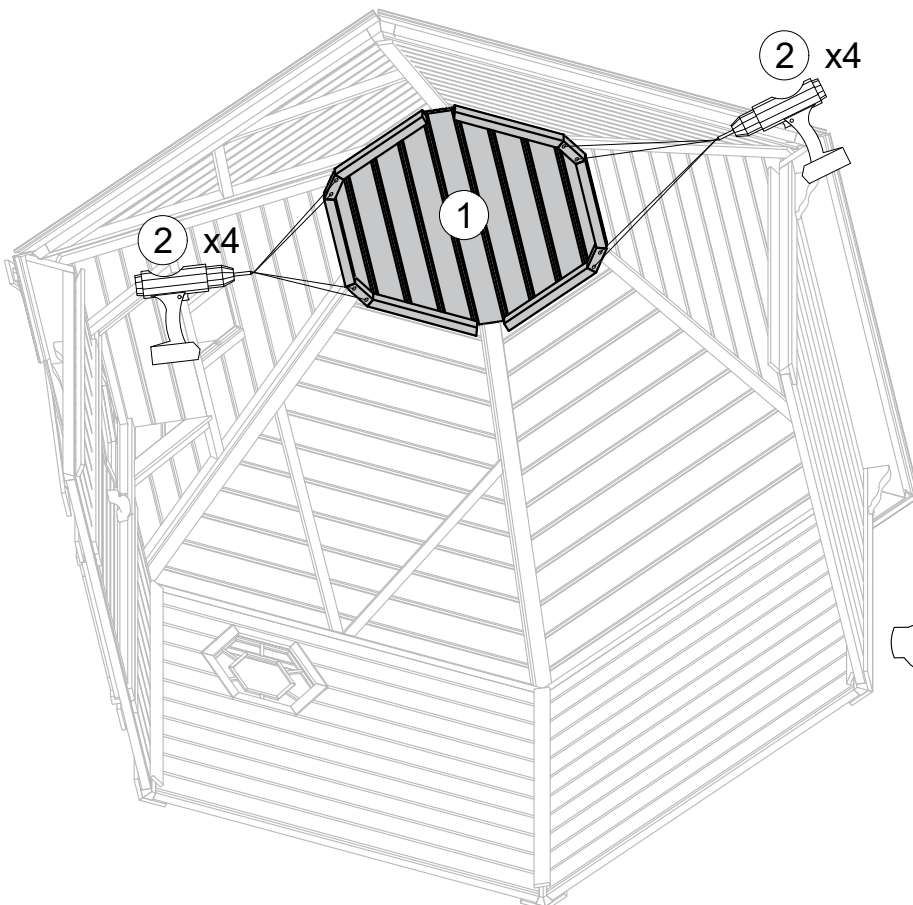
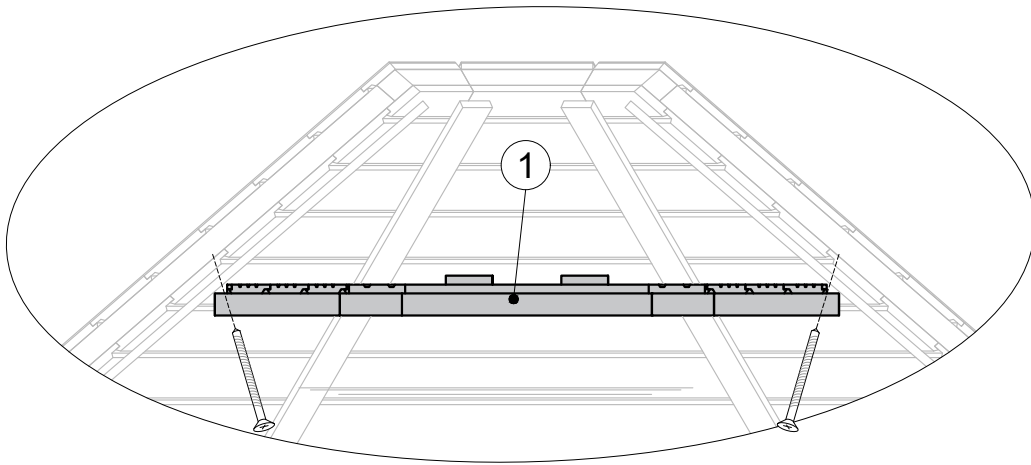
① x1

S9.2-lubos-1270x1173



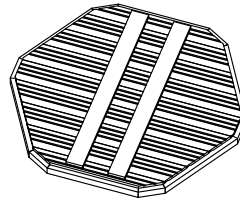
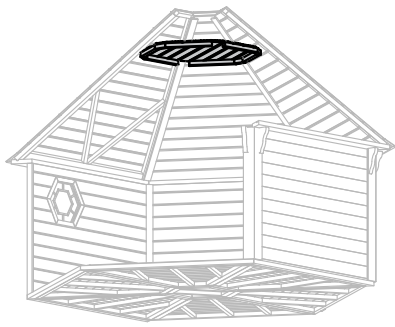
② x8

T-GC-5x100



26. Sauna Cabin 9.2  
SAUNA  
BENCHES

# 17.1 Sauna Cabin with changing room 9.2 CEILING ASSEMBLY



1 x1

S9.2-lubos-1270x1173

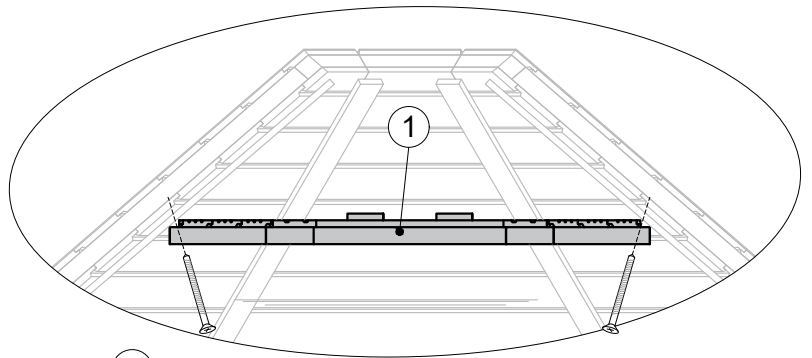
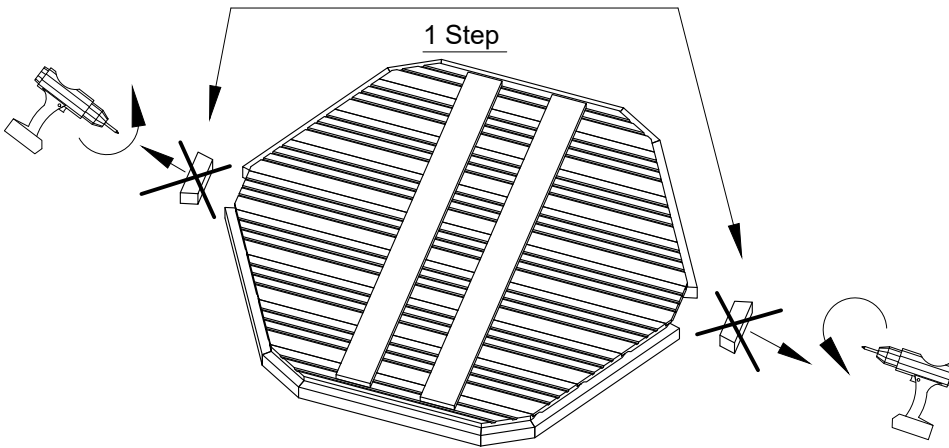


2 x8

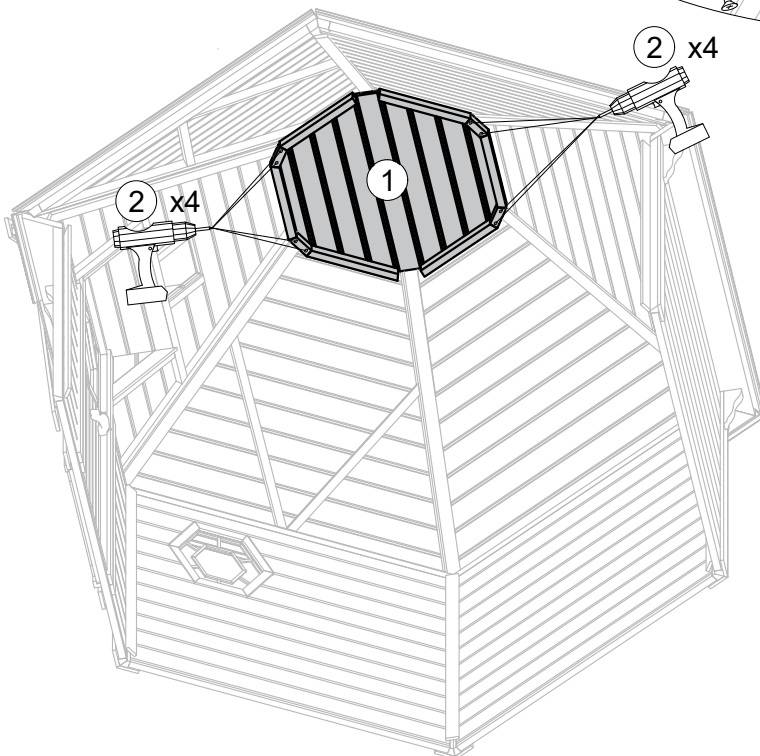
T-GC-5x100

## IF Sauna Cabin 9.2 WITH CHANGING ROOM

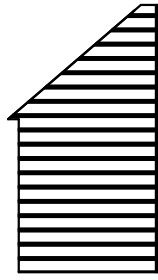
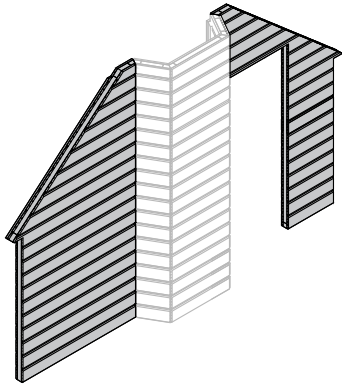
1 Step



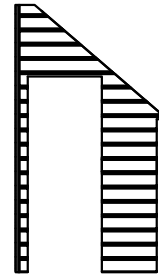
2 Step



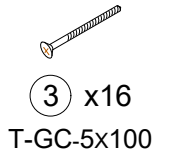
# 18. Sauna Cabin with changing room 9.2 INSIDE WALL ASSEMBLY



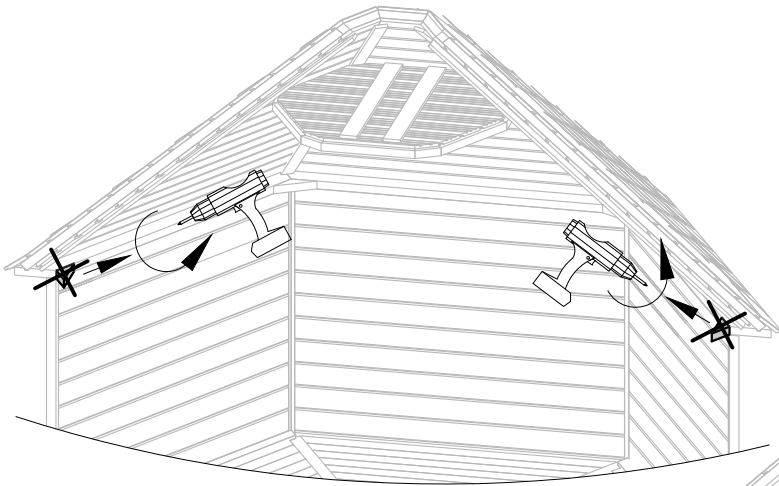
① x1  
S9.2-Pertv-1434x2525



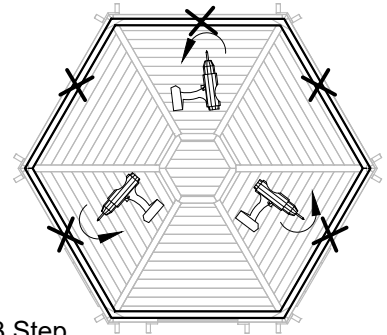
② x1  
S9.2-PertvD-1434x2525



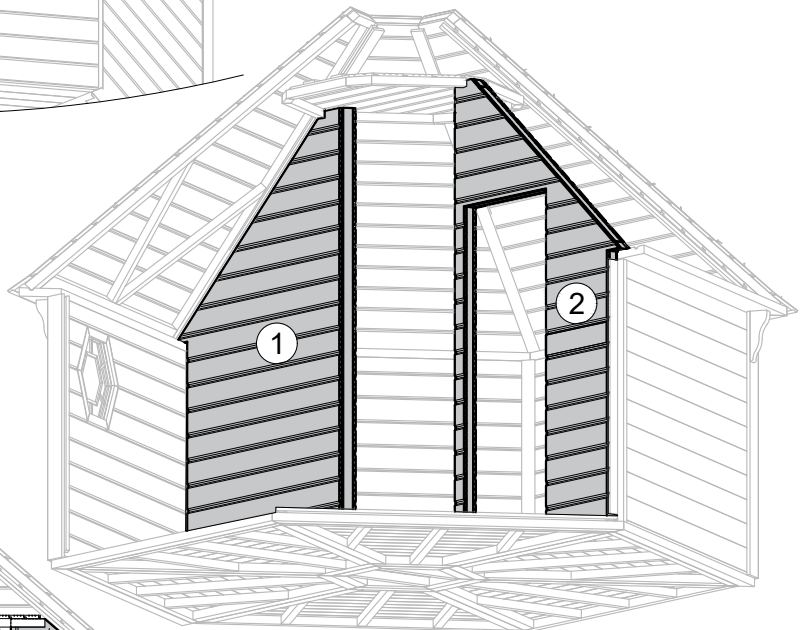
1 Step



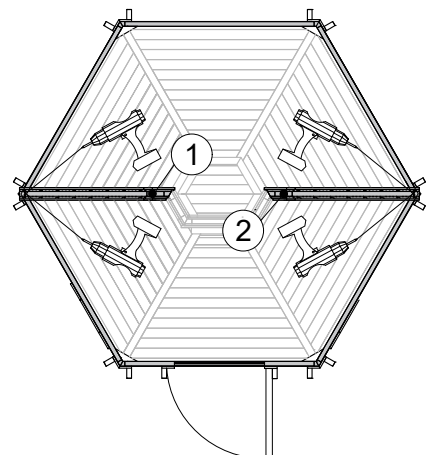
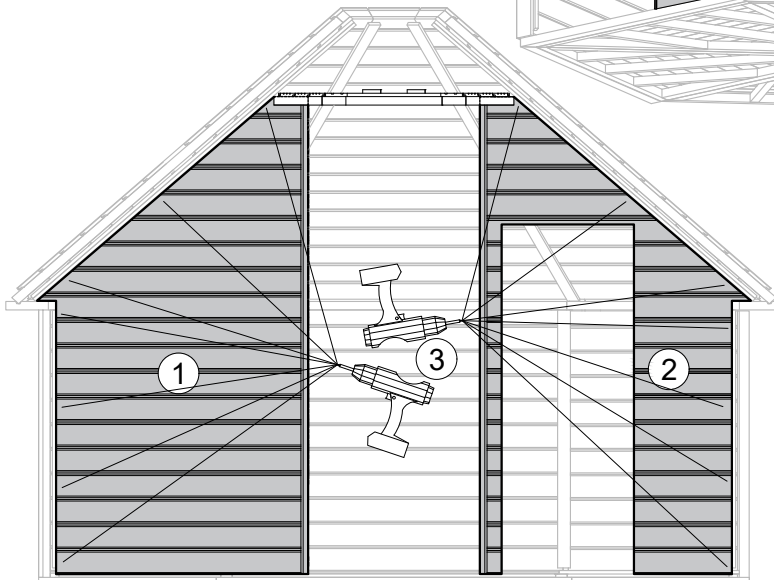
2 Step



3 Step



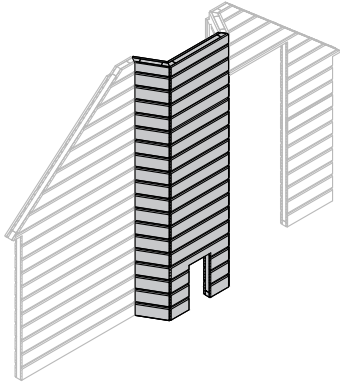
3 Step





# 18.1 Sauna Cabin with changing room 9.2

## INSIDE WALL ASSEMBLY



① x1

S9.2-Pertv-326x2525-(k)



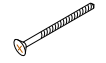
② x1

S9.2-Pertv-661x2525



③ x1

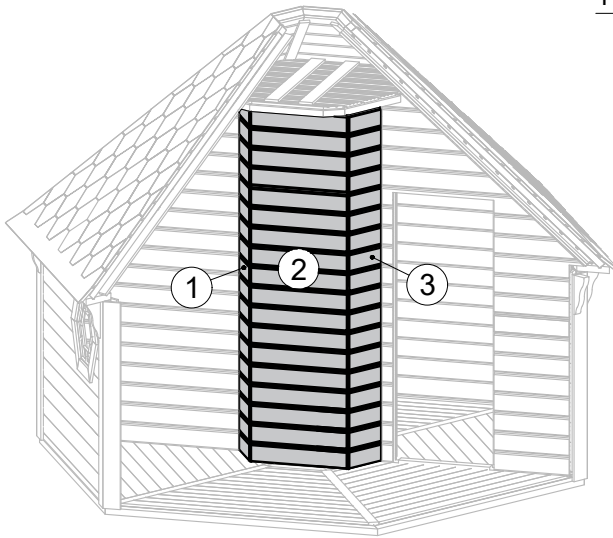
S9.2-Pertv-326x2525-(d)



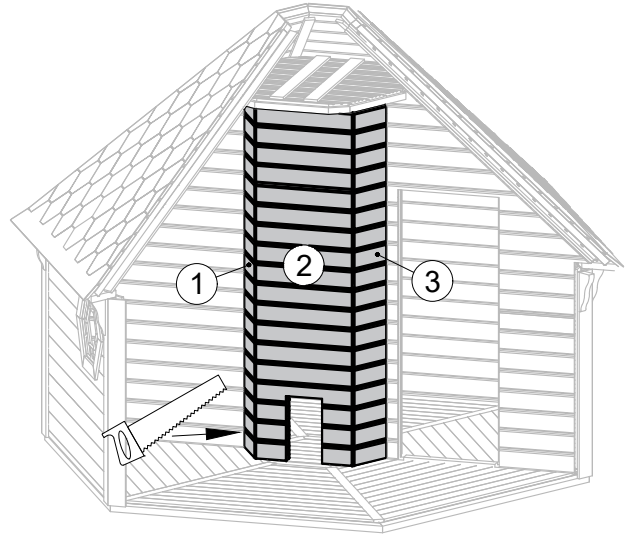
④ x16

T-GC-5x100

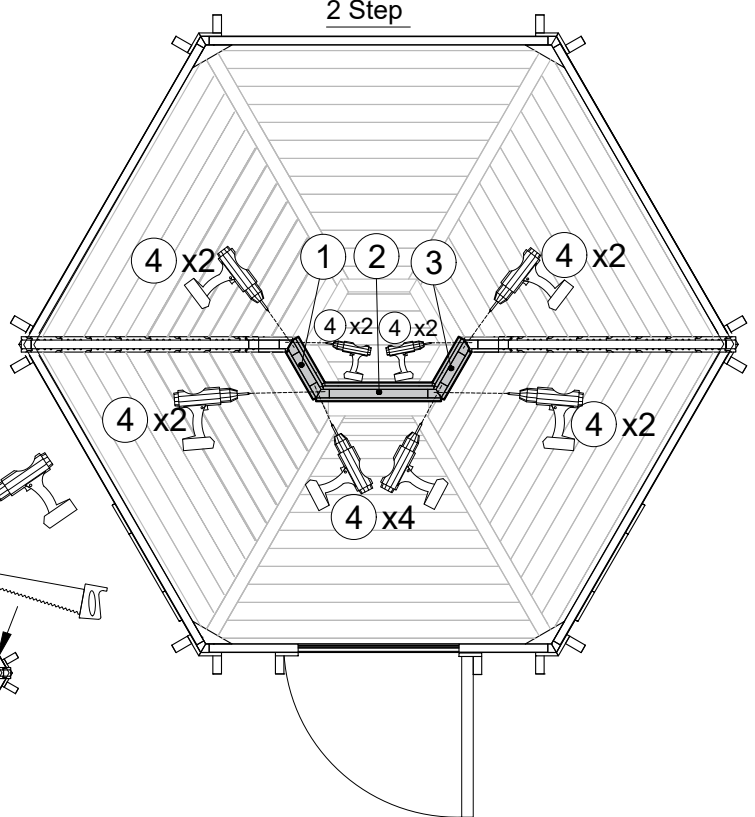
### 1 Step



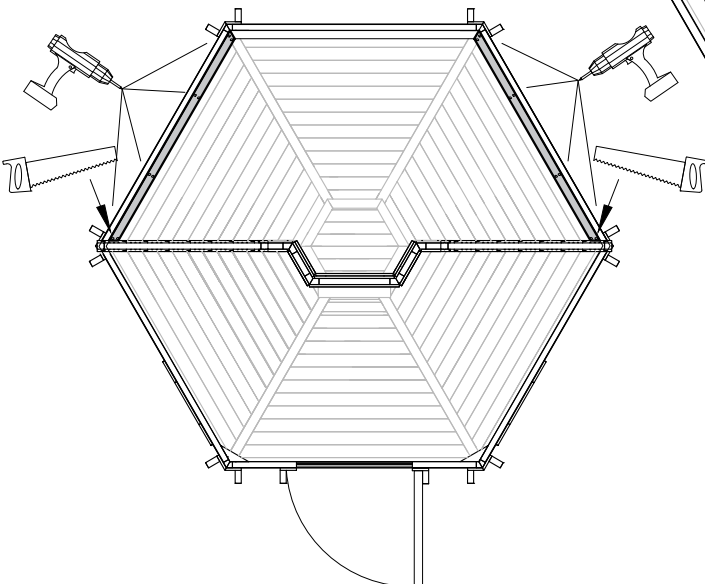
OR



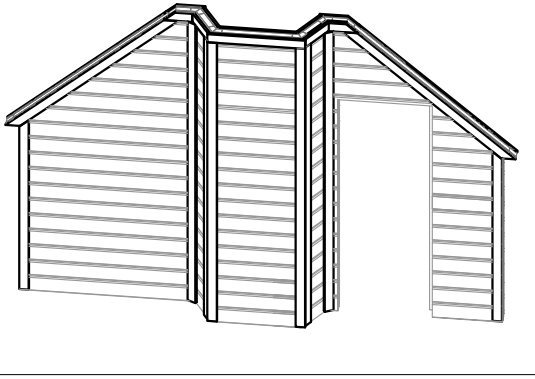
### 2 Step



### 3 Step



## 19. Sauna Cabin with changing room 9.2 INSIDE WALL FINISHING BOARD

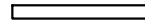
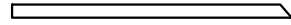
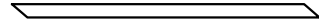
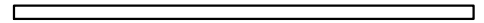


① x14  
M-18x70x2432

② x4  
M-18x70x1627-F

③ x4  
M-18x70x1479-F

④ x1  
M-18x70x720



⑩ x244  
T-GC-3.5x45

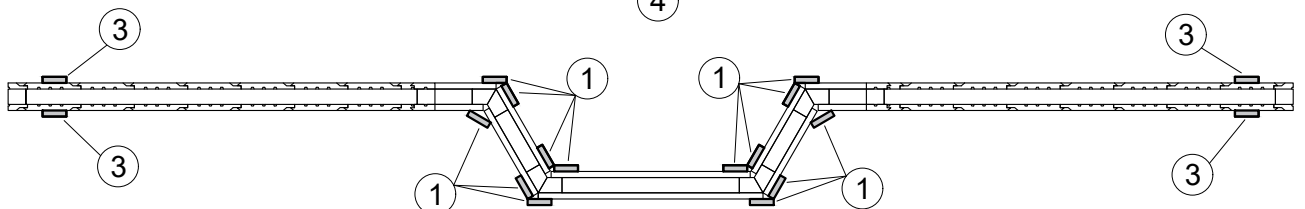
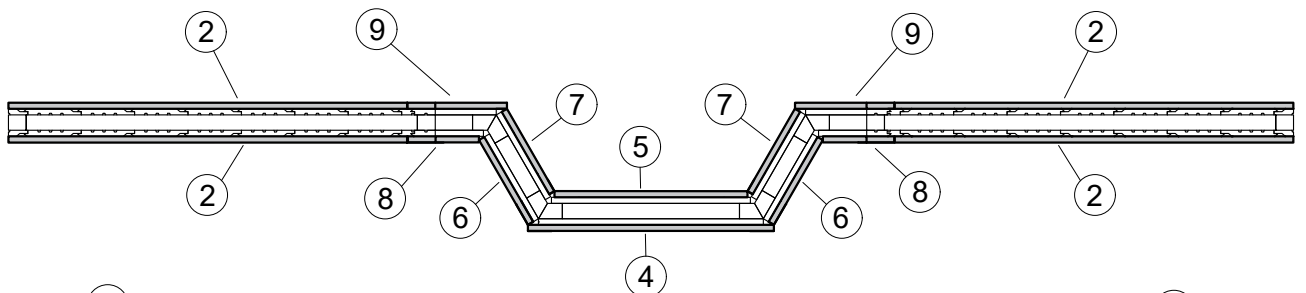
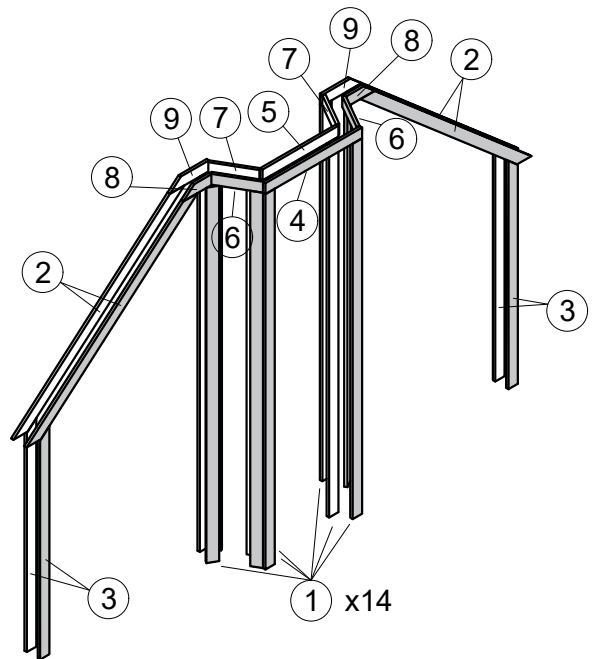
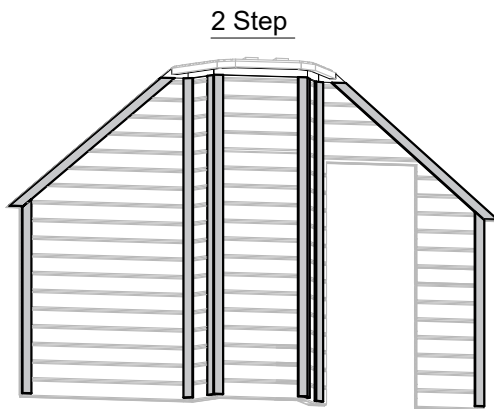
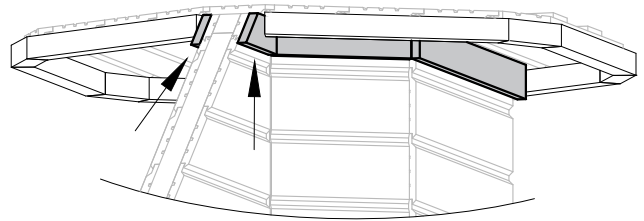
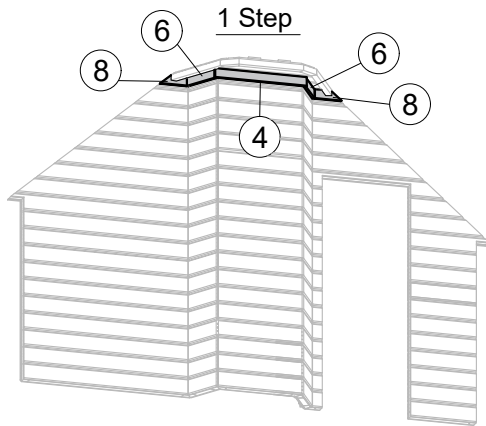
⑤ x1  
M-18x70x565

⑥ x2  
M-18x70x285

⑦ x2  
M-18x70x275

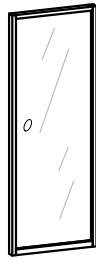
⑧ x2  
M-18x70x209-F

⑨ x2  
M-18x70x290-F

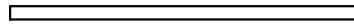


## 20. Sauna Cabin with changing room 9.2 INSIDE DOOR AND FINISHING BOARD

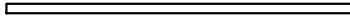
① x1  
PUS00233



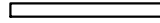
② x3  
M-18x70x1840



③ x1  
M-18x50x1840



④ x2  
M-18x70x810

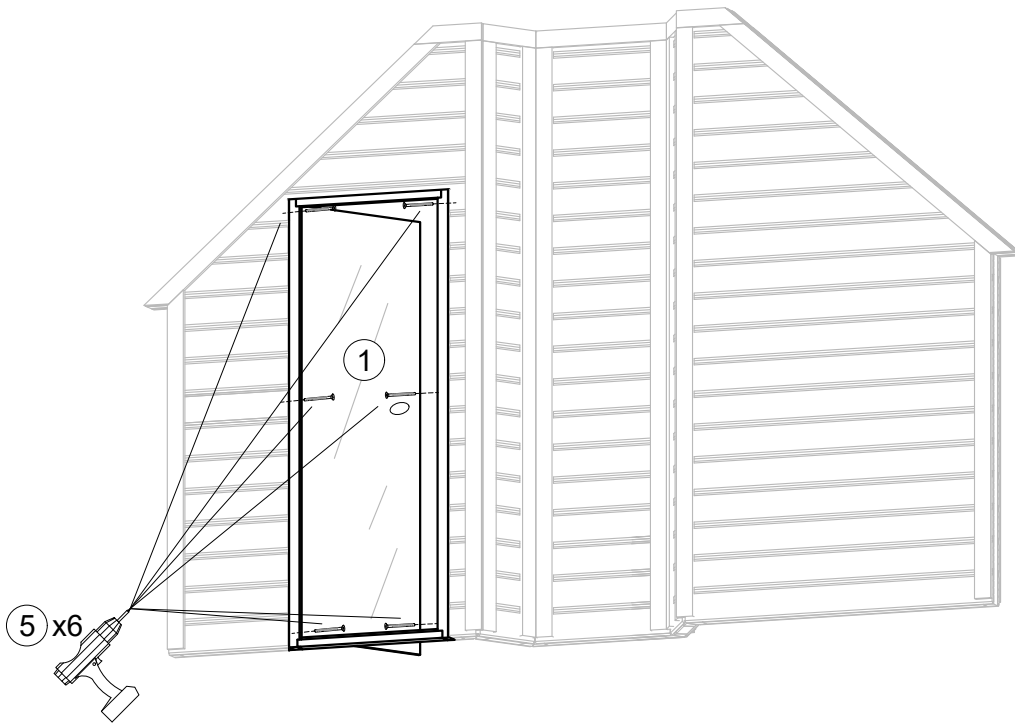


⑤ x6  
T-GC-5x100

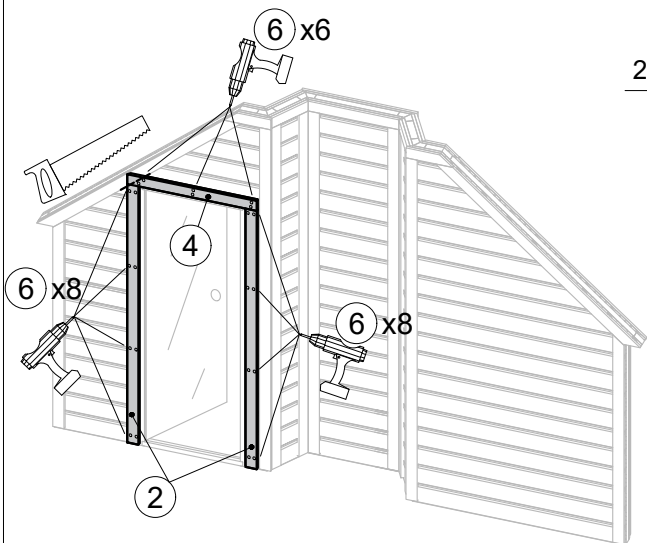


⑥ x48  
T-GC-3.5x45

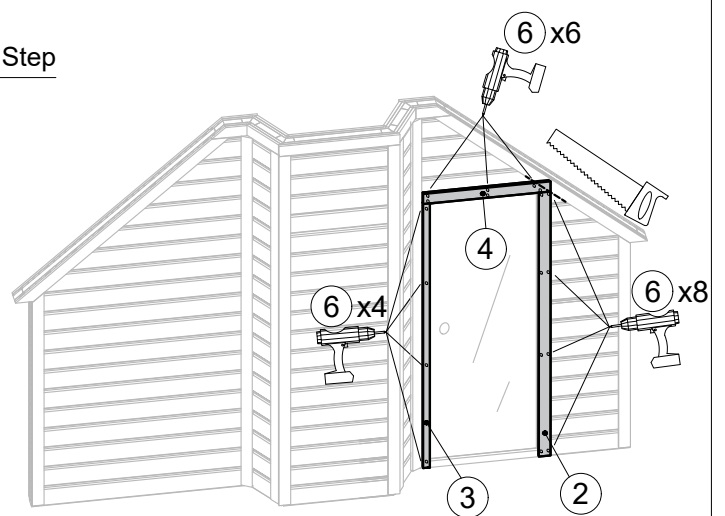
### 1 Step



### 2 Step

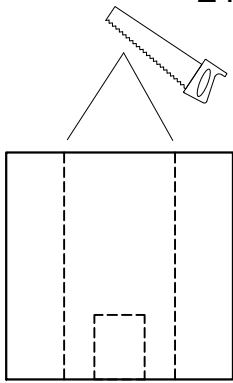


FROM SAUNA SIDE



FROM CHANGING ROOM SIDE

# 21. Sauna Cabin with changing room 9.2 HEAT- RESISTANT PLATES



① x2

HEAT- RESISTANT PLATE

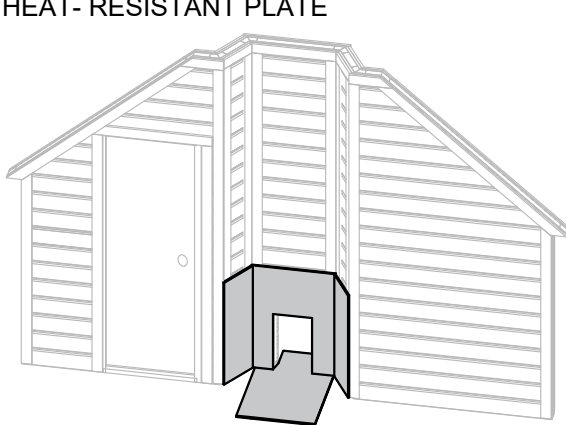


② x24

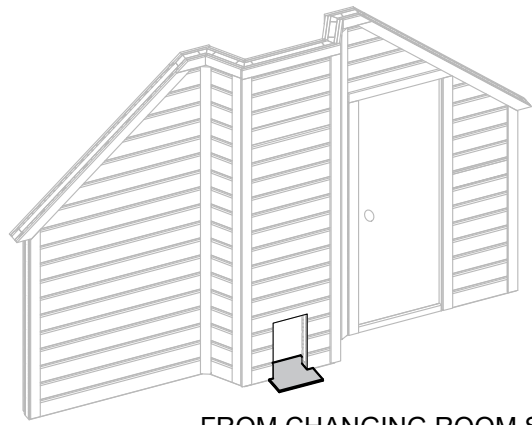
T-GC-3.5x45

## ATTENTION

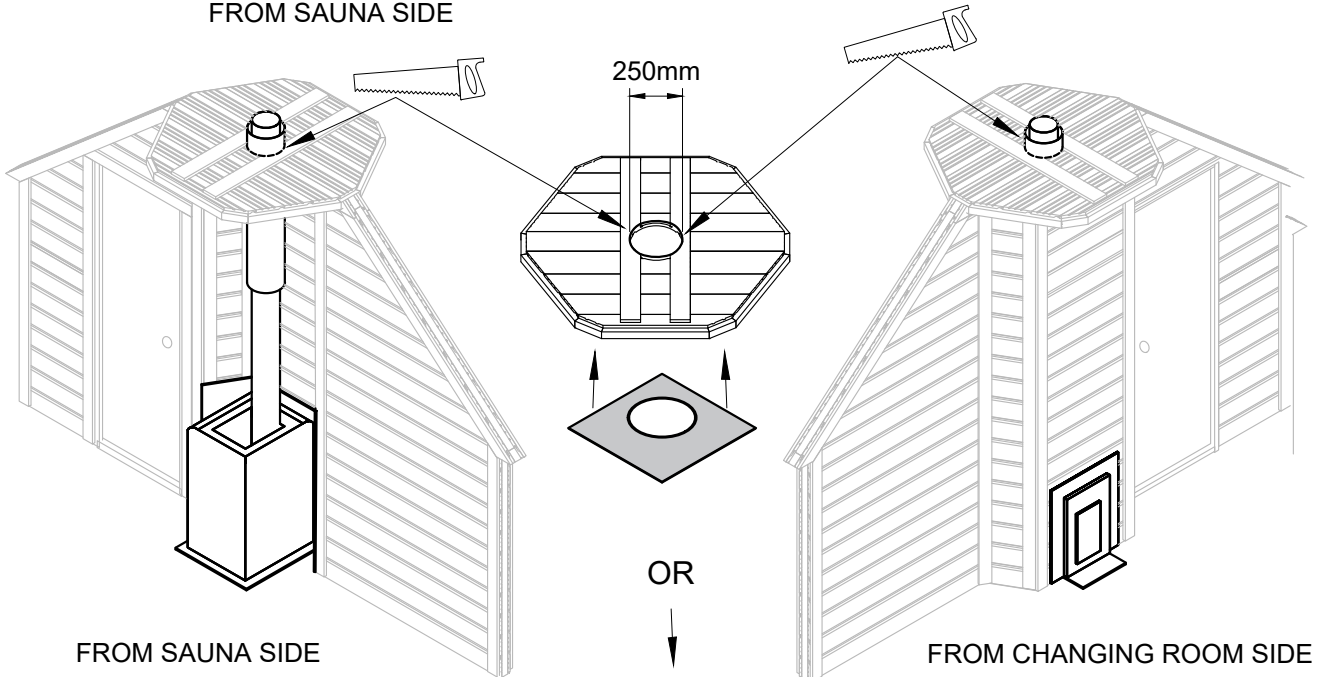
FOLLOW THE MANUFACTURER'S  
RECOMENDATIONS WHEN INSTALLING  
THE SAUNA HEATER



FROM SAUNA SIDE

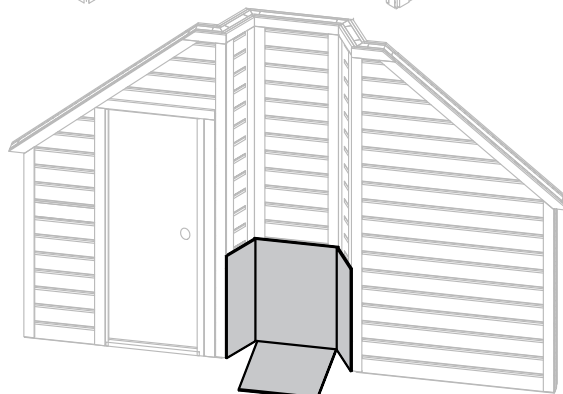


FROM CHANGING ROOM SIDE



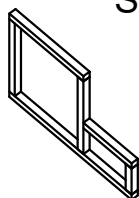
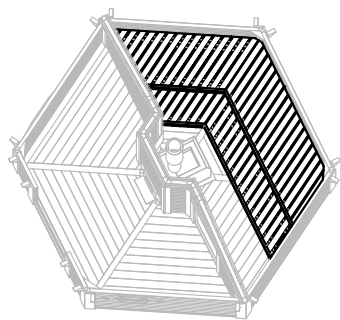
FROM SAUNA SIDE

FROM CHANGING ROOM SIDE



FROM SAUNA SIDE

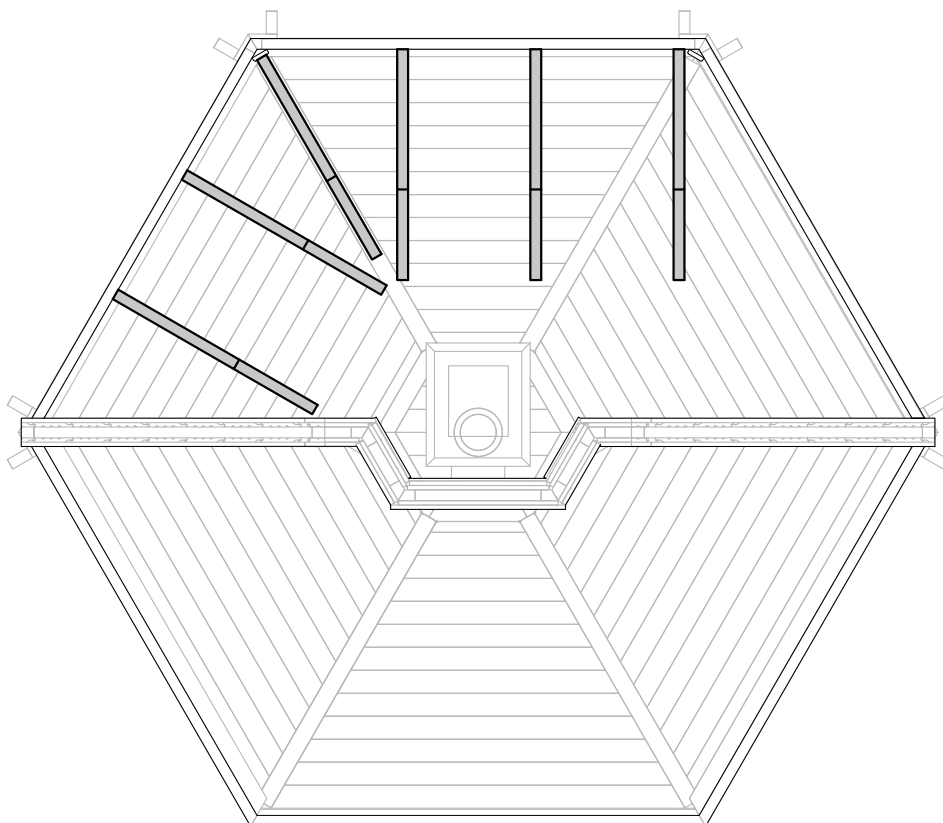
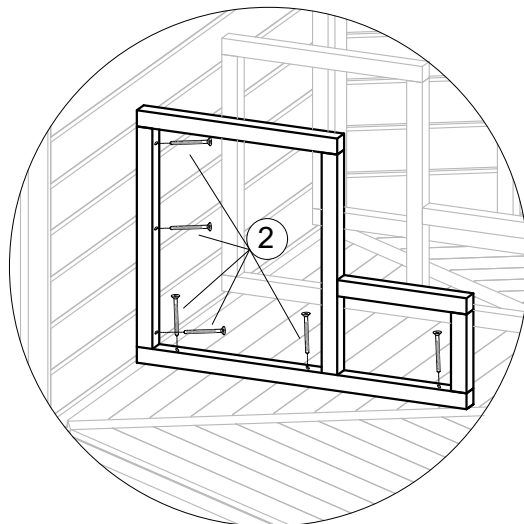
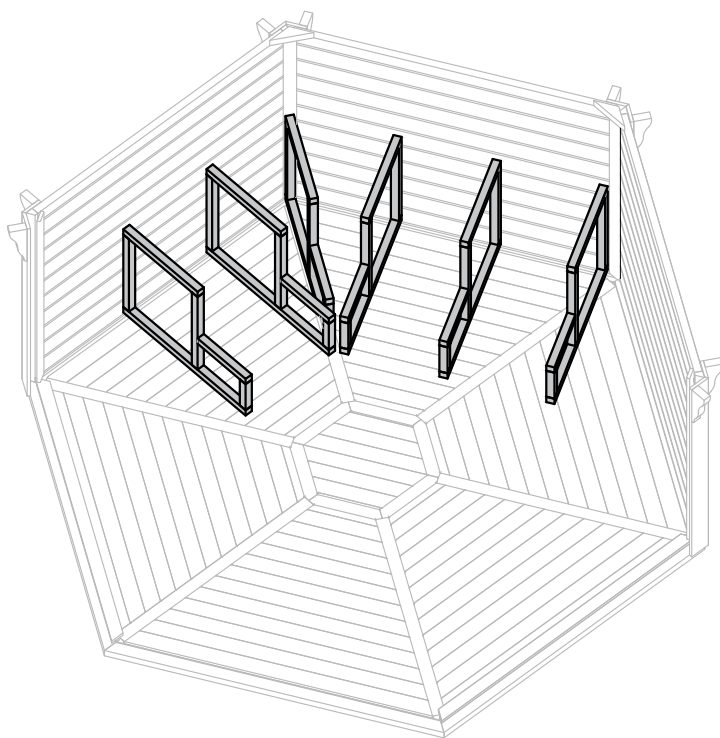
## 22. Sauna Cabin with changing room 9.2 SAUNA BENCHES



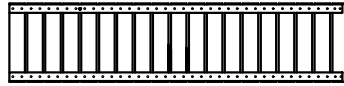
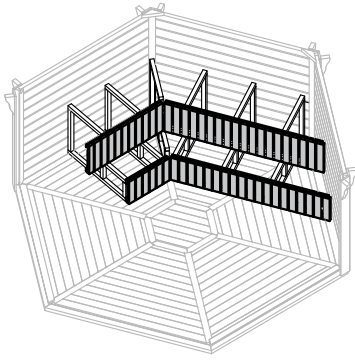
① x6  
S-koja-954x705



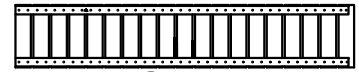
② x36  
T-GC-6x80



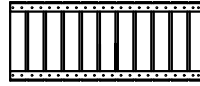
## 22.1 Sauna Cabin with changing room 9.2 SAUNA BENCHES



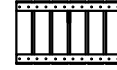
① x1  
S9.2-gultas-1792x415



② x1  
S9.2-gultas-1792x330



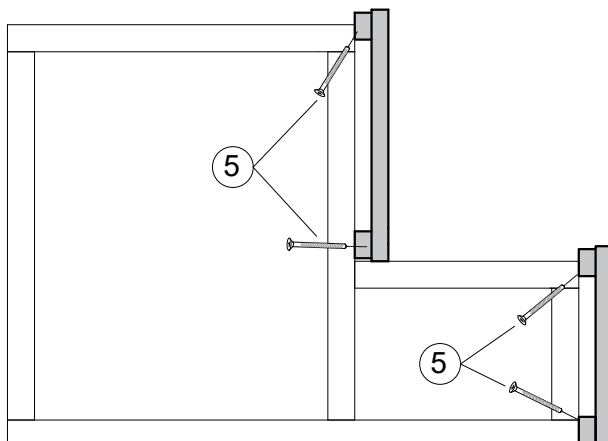
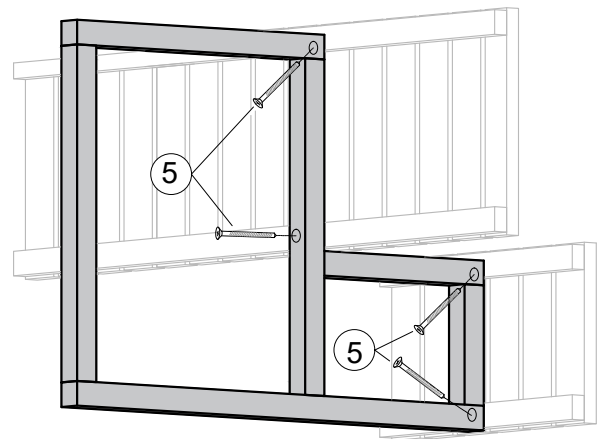
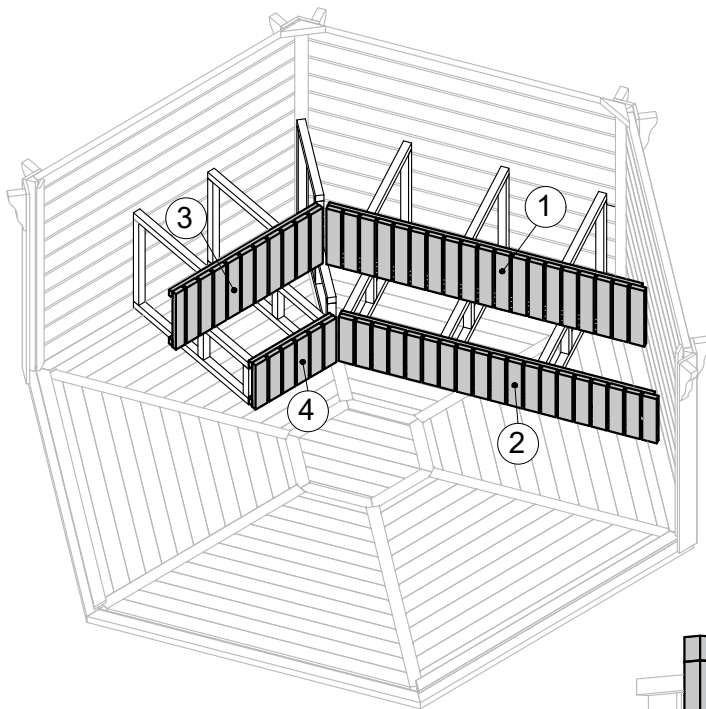
③ x1  
S9.2-gultas-1012x415



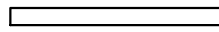
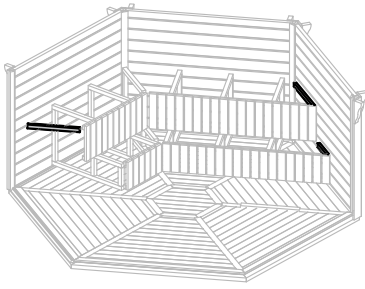
④ x1  
S9.2-gultas-557x330



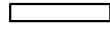
⑤ x24  
T-GC-5x80



## 22.2 Sauna Cabin with changing room 9.2 SAUNA BENCHES



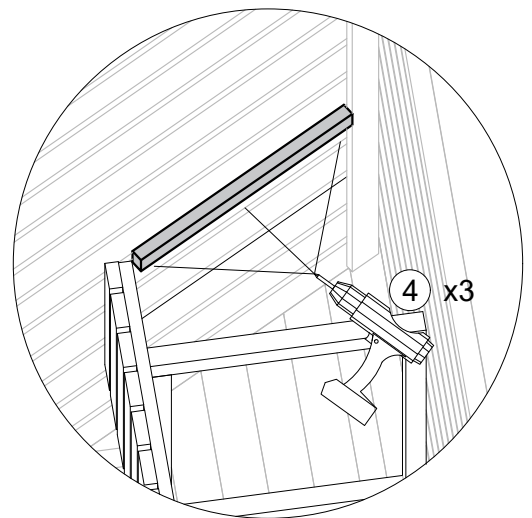
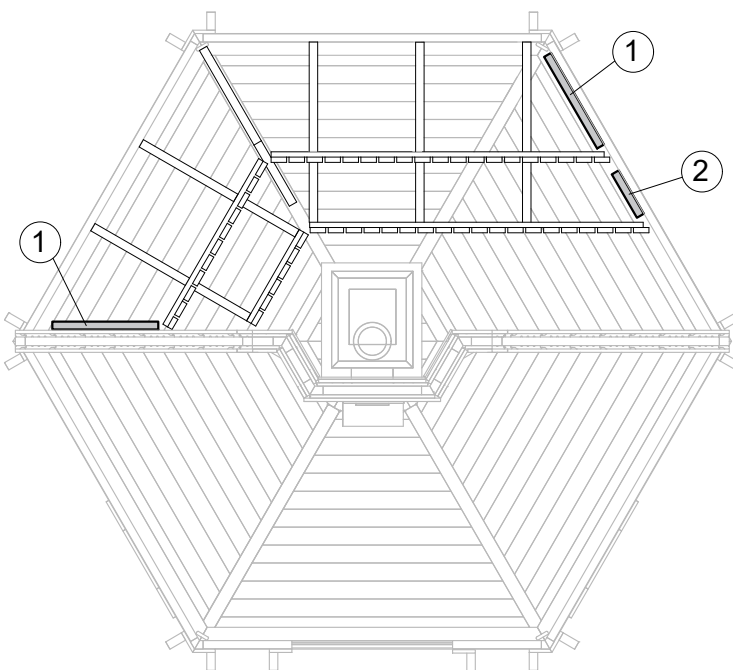
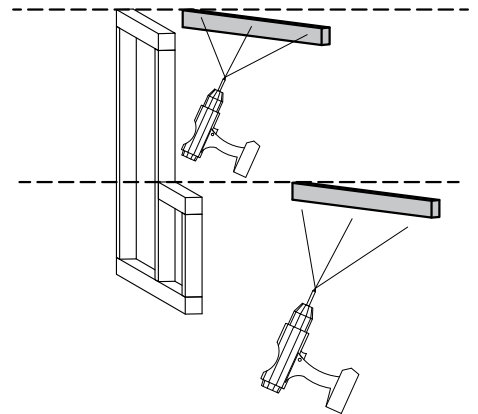
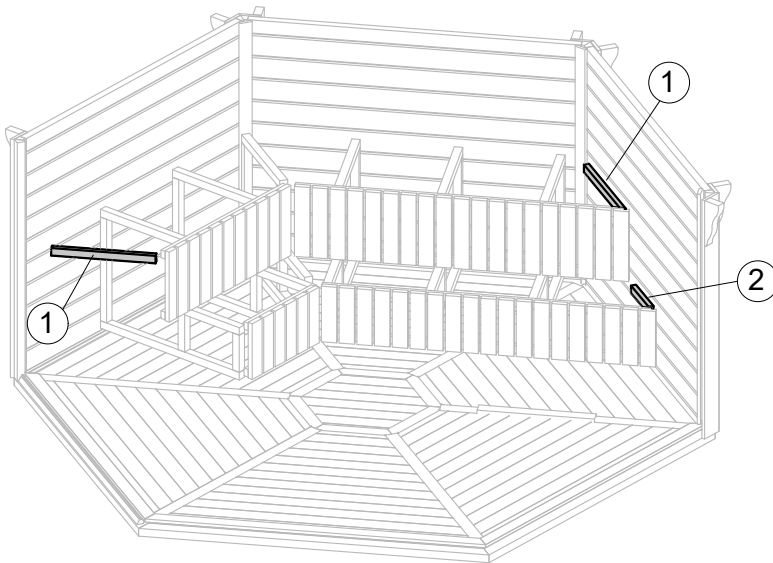
① x2  
M-45x45x560



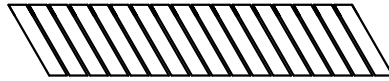
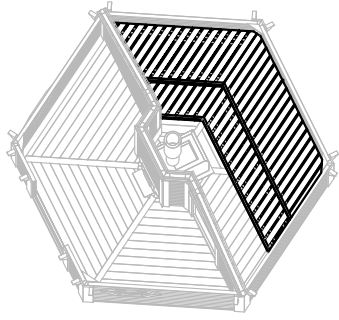
② x1  
M-45x45x265



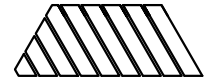
③ x9  
T-GC-5x80



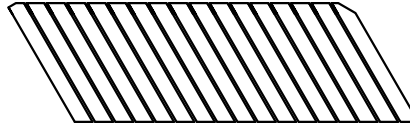
## 22.3 Sauna Cabin with changing room 9.2 SAUNA BENCHES



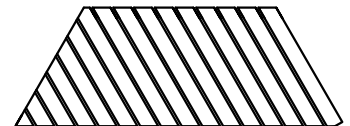
① x1  
S9.2-gultas-2034x374



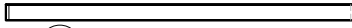
② x1  
S9.2-gultas-992x374



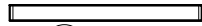
③ x1  
S9.2-gultas-2168x628



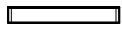
④ x1  
S9.2-gultas-1730x628



⑤ x2  
Mpl-28x82x1841-F



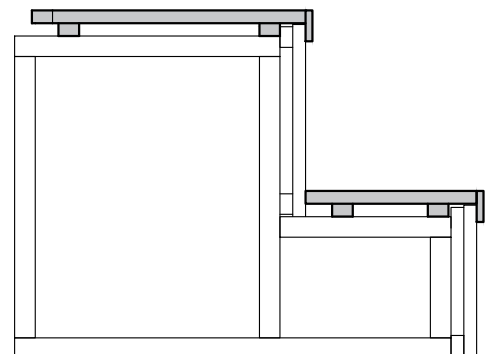
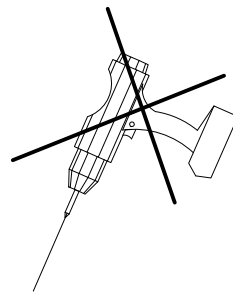
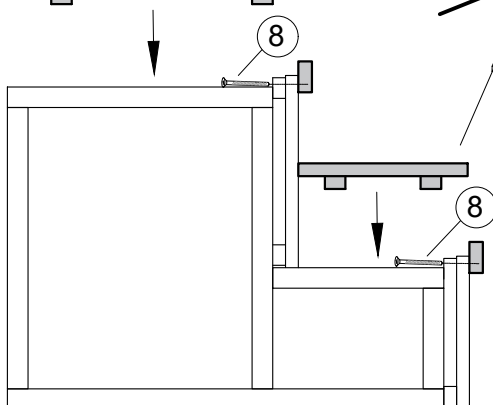
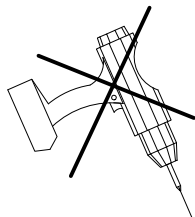
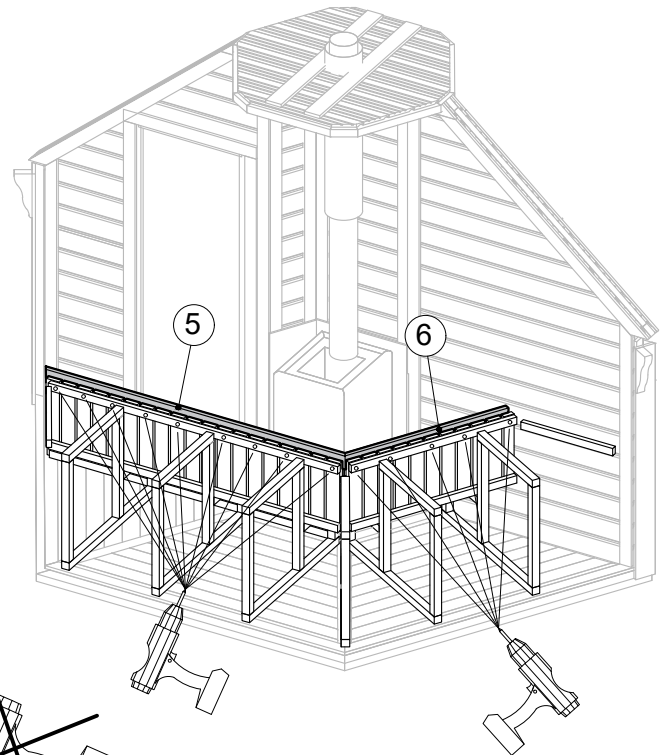
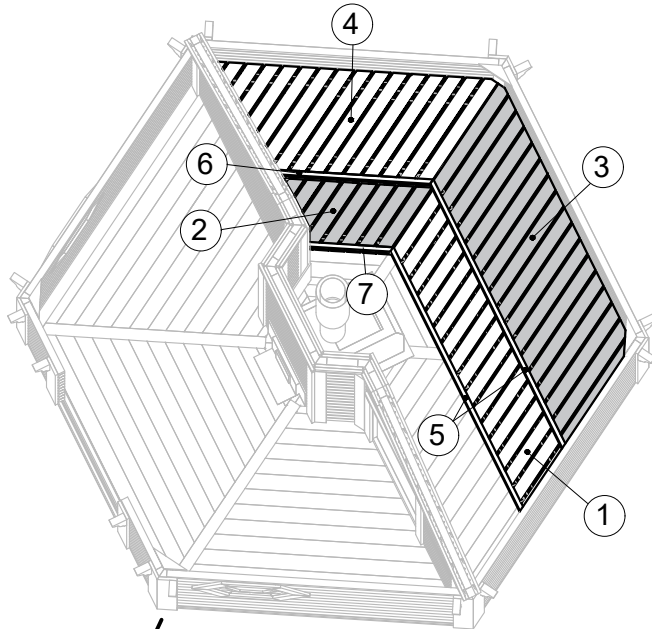
⑥ x1  
Mpl-28x82x1016-F



⑦ x1  
Mpl-28x82x587-F

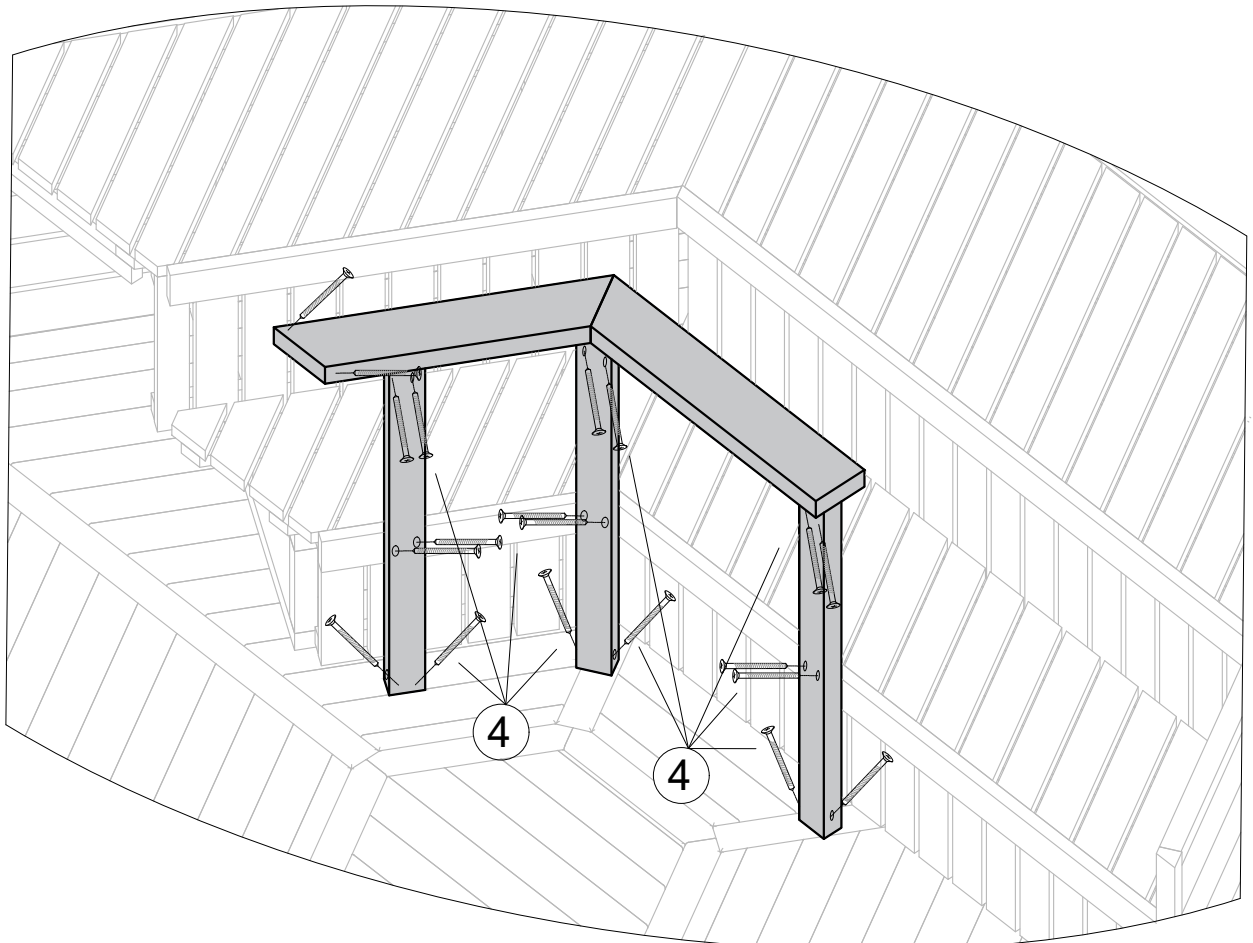
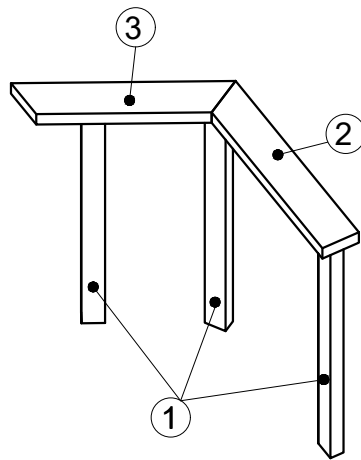
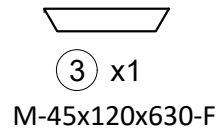
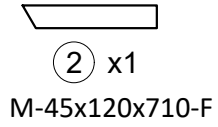
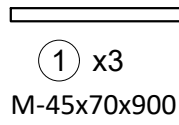
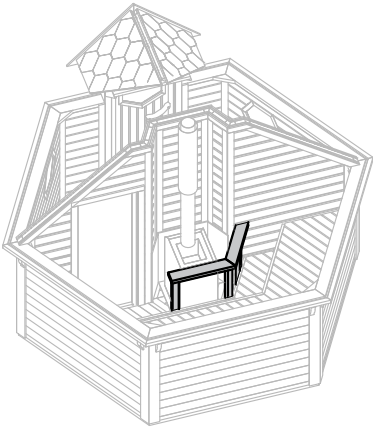


⑧ x30  
T-GC-5x80

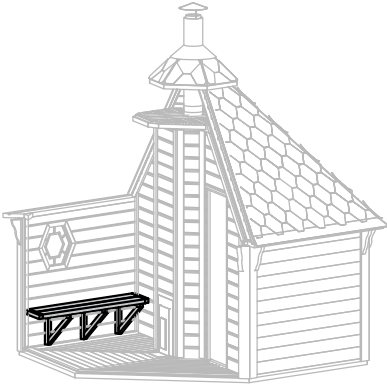




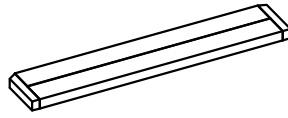
## 24. Sauna Cabin with changing room 9.2 SAFETY FENCE FOR THE HEATER



## 25. Sauna Cabin with changing room 9.2 ASSEMBLY OF BENCHES



① x3  
GR-suolu-kojos

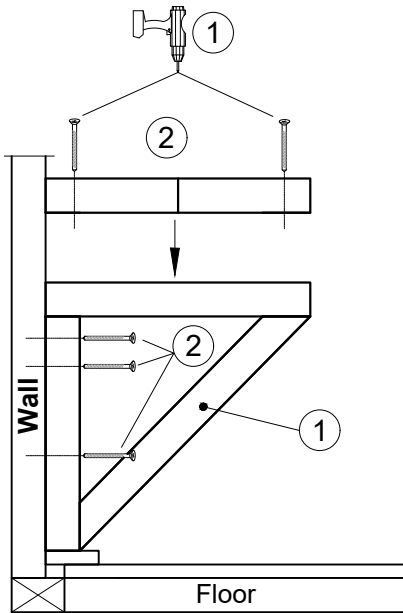


② x1  
S9.2-suolas

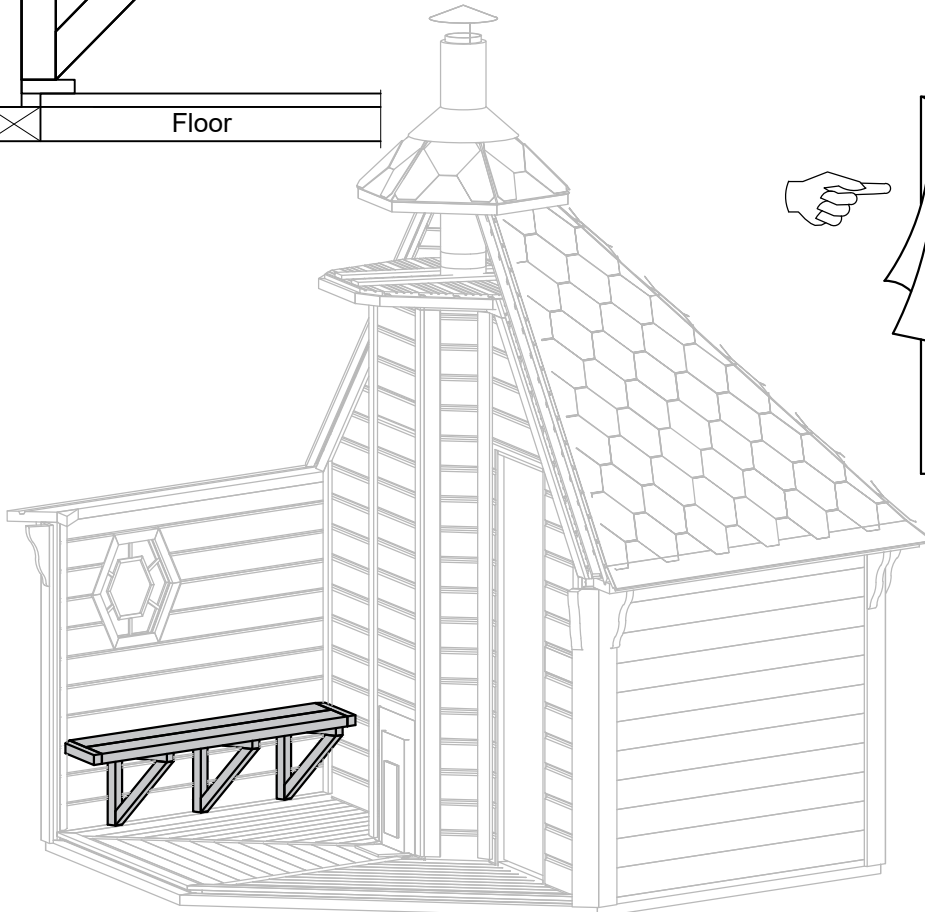
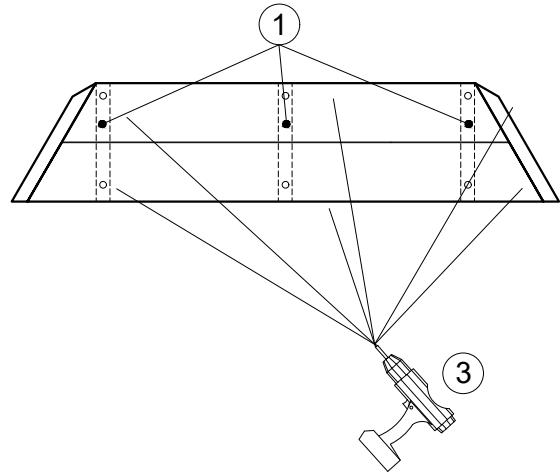


③ x15  
T-GC-6x80

### 1 Step

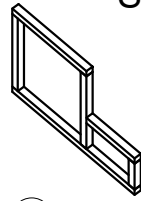
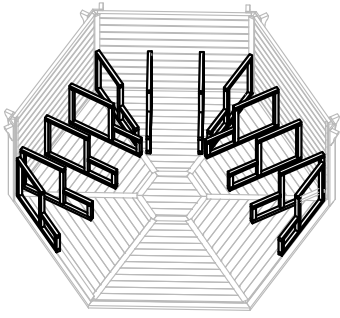


### 2 Step



29. Sauna Cabin 9.2  
ROOF HAT

## 26. Sauna Cabin 9.2 SAUNA BENCHES

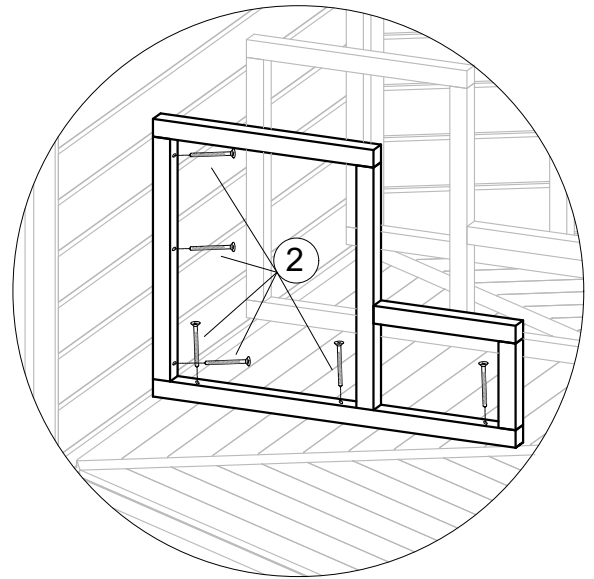
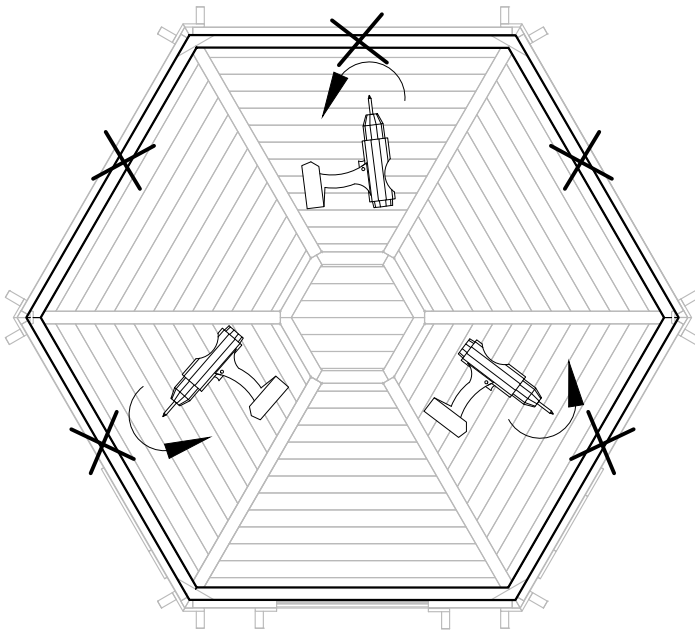


① x12  
S-koja-954x705

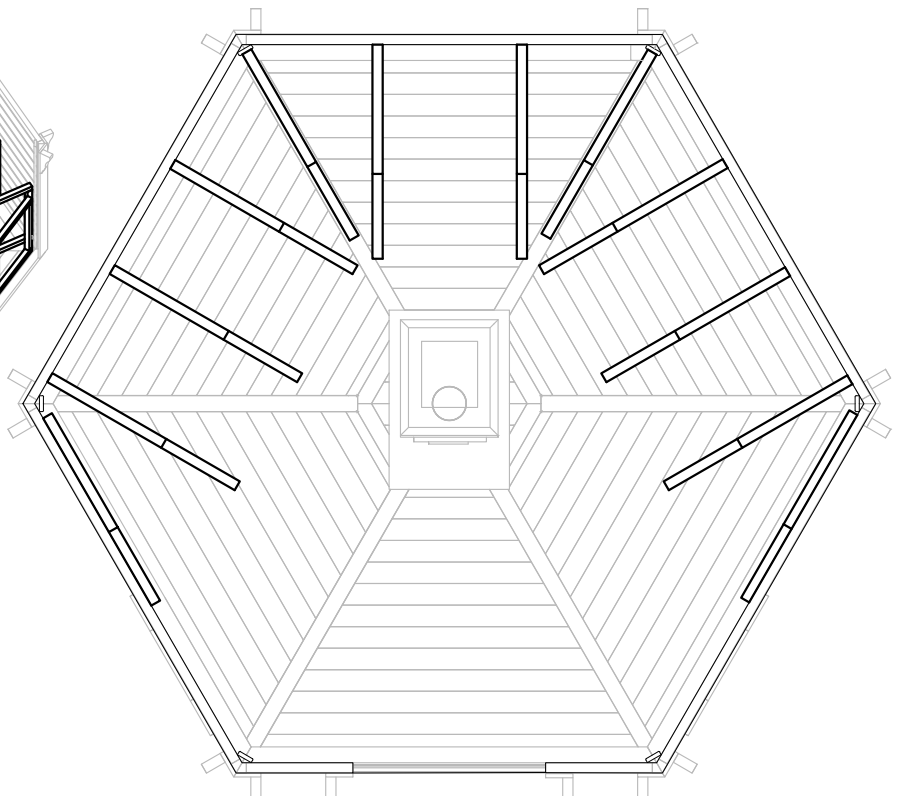
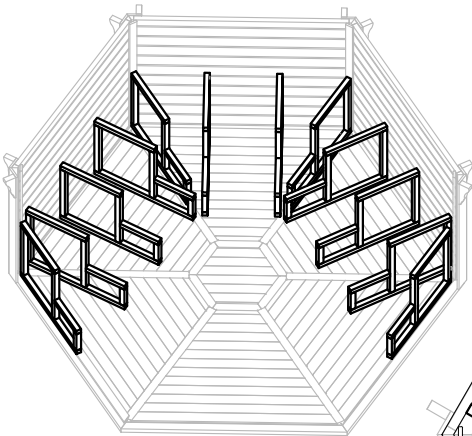


② x72  
T-GC-6x80

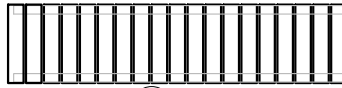
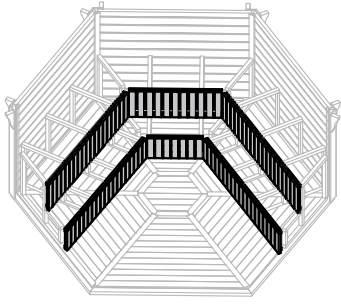
### 1 Step



### 2 Step

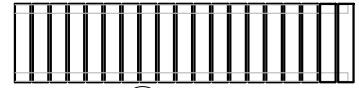


## 26.1 Sauna Cabin 9.2 SAUNA BENCHES



① x1

S9.2-gultas-1792x415-(k)



② x1

S9.2-gultas-1792x415-(d)



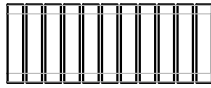
③ x1

S9.2-gultas-1792x330-(k)



④ x1

S9.2-gultas-1792x330-(d)



⑤ x1

S9.2-gultas-1792x330-(d)



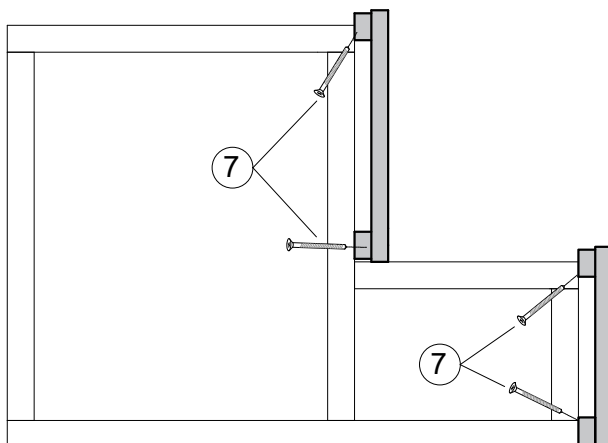
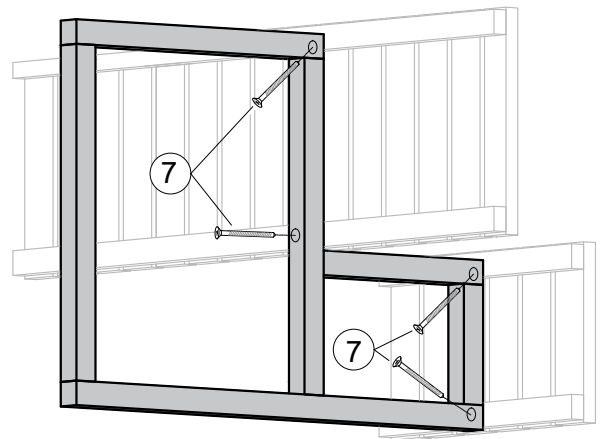
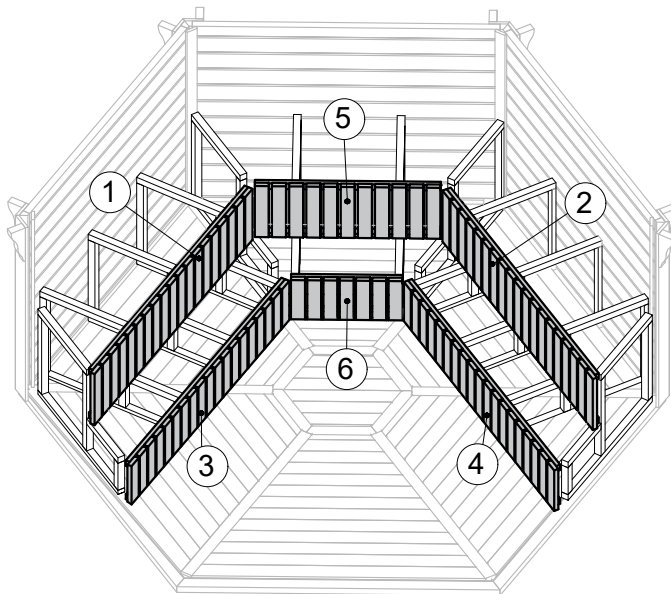
⑥ x1

S9.2-gultas-1792x330-(d)

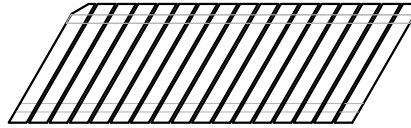
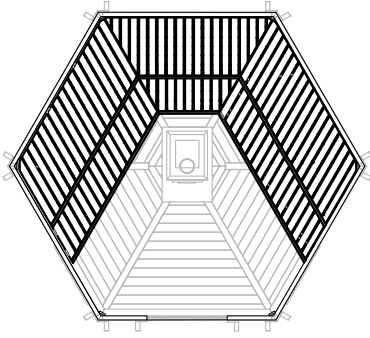


⑦ x24

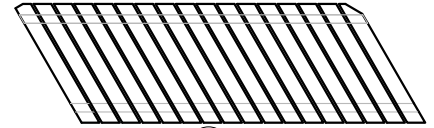
T-GC-5x80



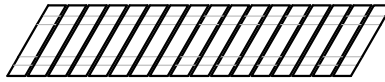
## 26.2 Sauna Cabin 9.2 SAUNA BENCHES



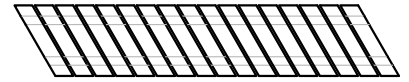
① x1  
S9.2-gultas-2168x628-(k)



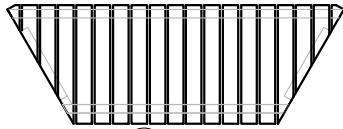
② x1  
S9.2-gultas-2168x628-(d)



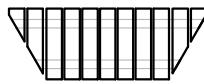
③ x1  
S9.2-gultas-2034x374-(k)



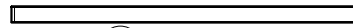
④ x1  
S9.2-gultas-2034x374-(d)



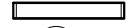
⑤ x1  
S9.2-gultas-1780x628



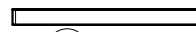
⑥ x1  
S9.2-gultas-1081x415



⑦ x4  
Mpl-28x82x1841-F



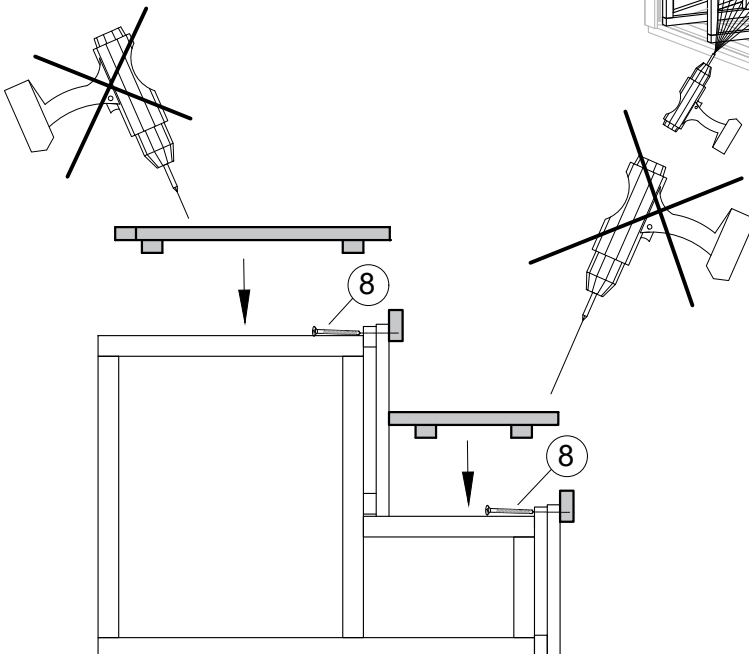
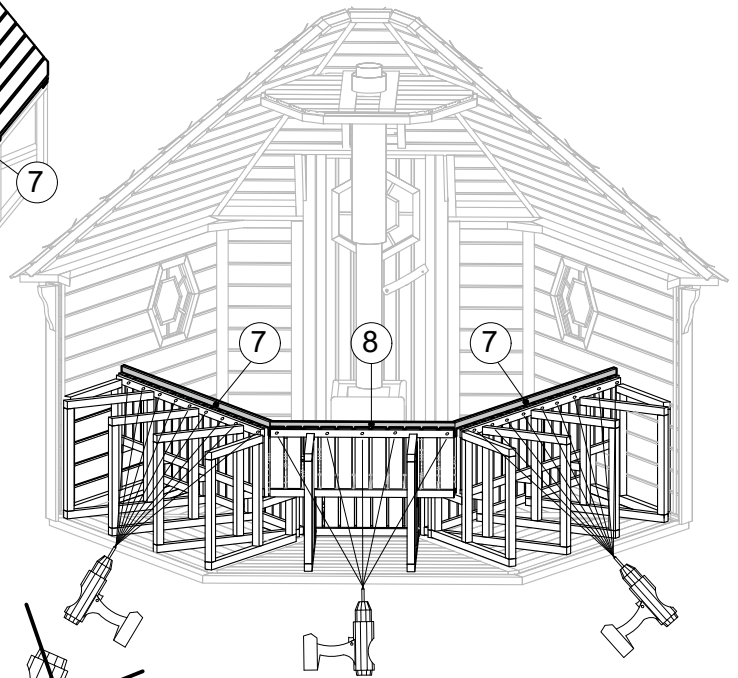
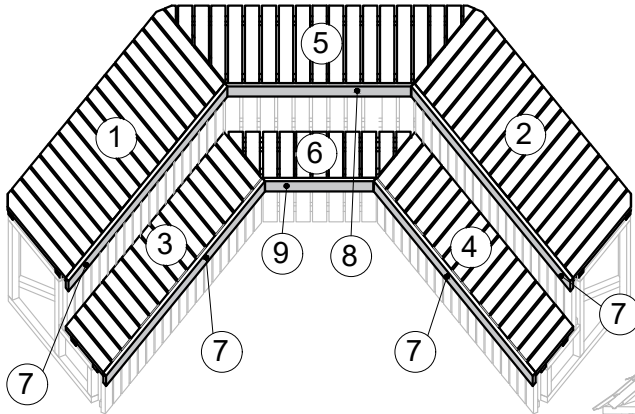
⑨ x1  
Mpl-28x82x654-F



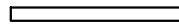
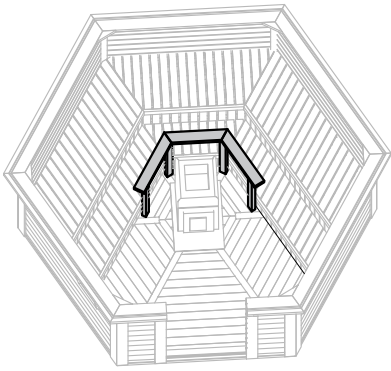
⑧ x1  
Mpl-28x82x1086-F



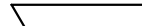
⑩ x50  
T-GC-5x80



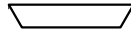
## 27. Sauna Cabin 9.2 SAFETY FENCE FOR THE HEATER



① x4  
M-45x70x900



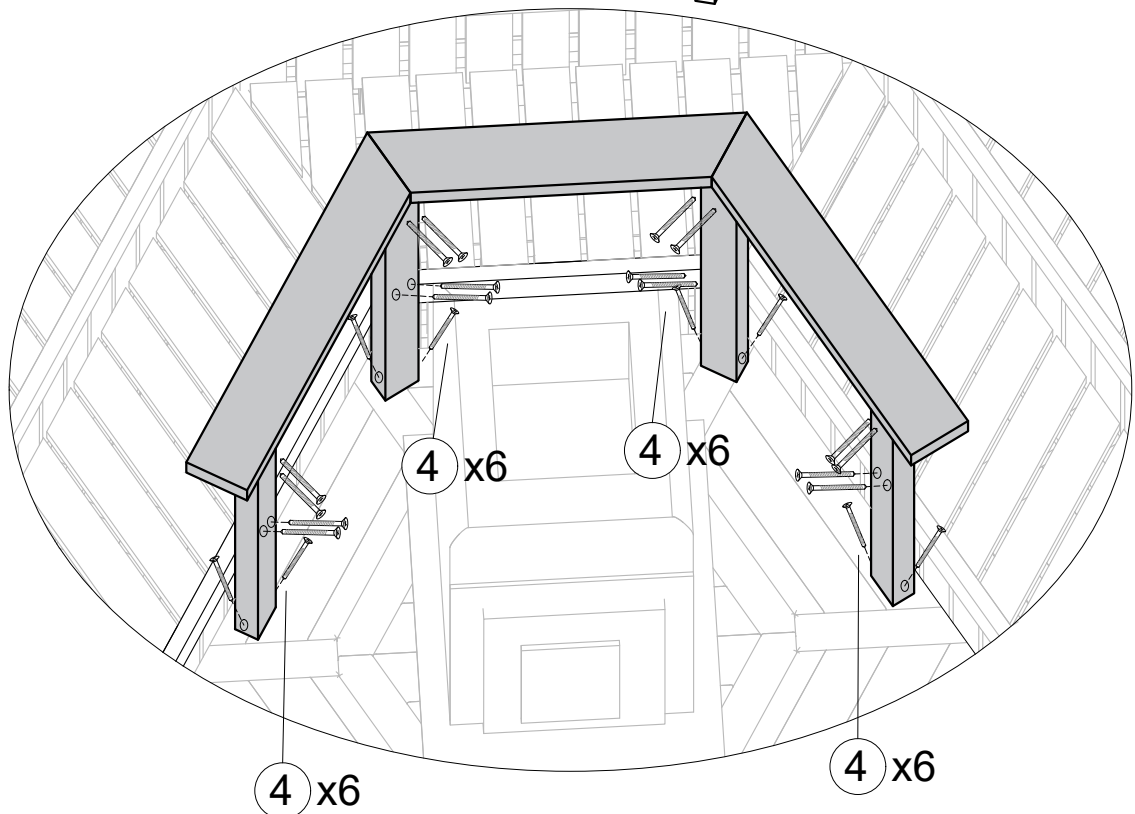
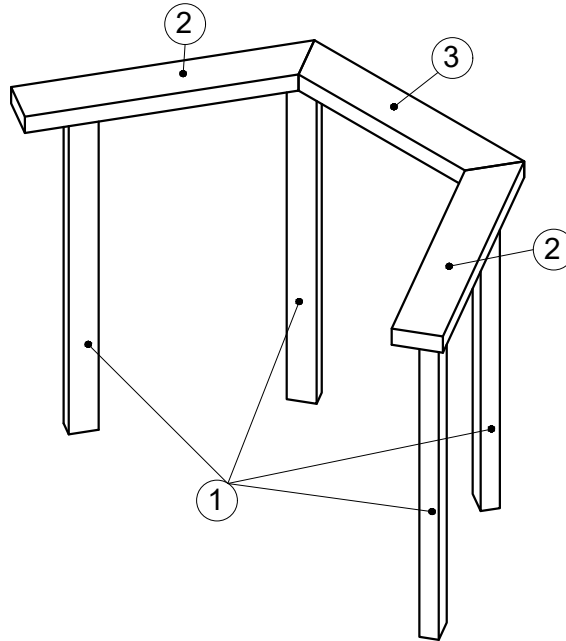
② x2  
M-45x120x710-F



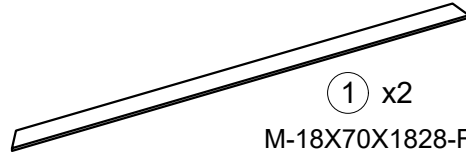
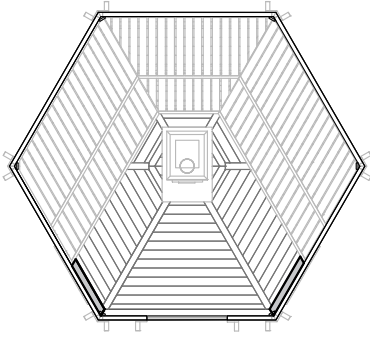
③ x1  
M-45x120x670-F



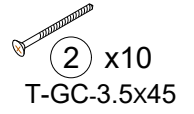
④ x20  
T-GC-5x80



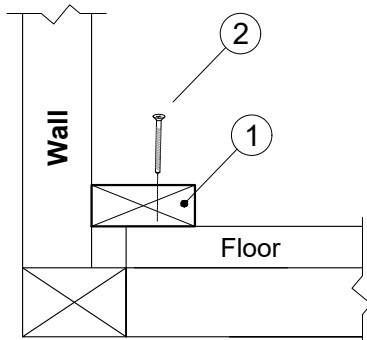
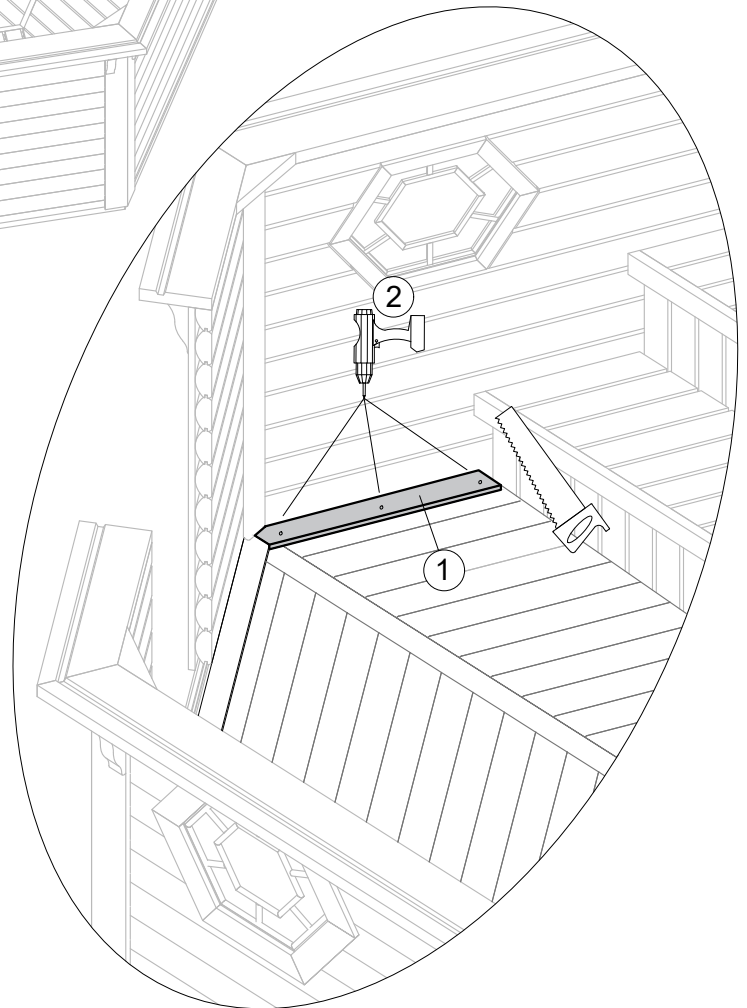
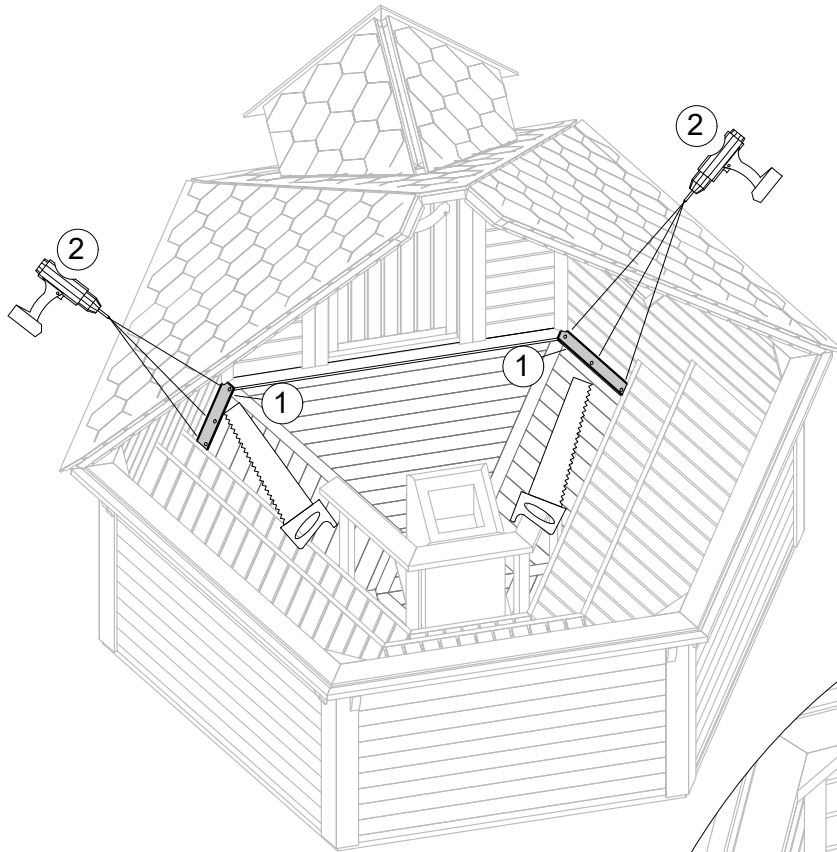
## 28. Sauna Cabin 9.2 INSIDE FINISHING BOARD



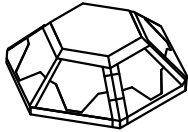
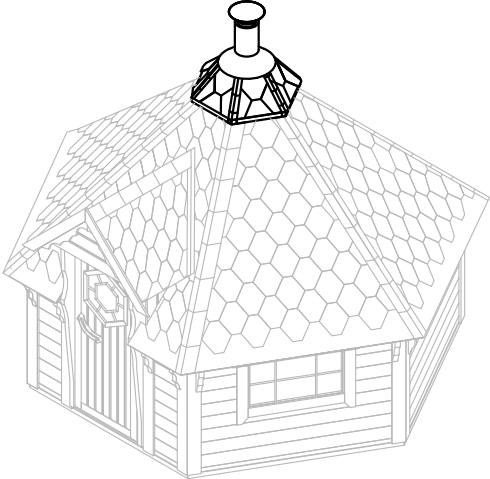
① x2  
M-18X70X1828-F



② x10  
T-GC-3.5x45



# 29. Sauna Cabin 9.2 ROOF HAT



① x1

GR6k-Kepure



② x6

T-GC-4x70

GR6k-Kepures-dangtis

