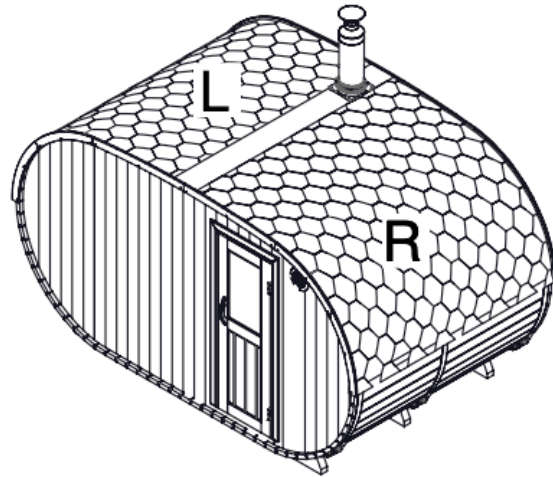
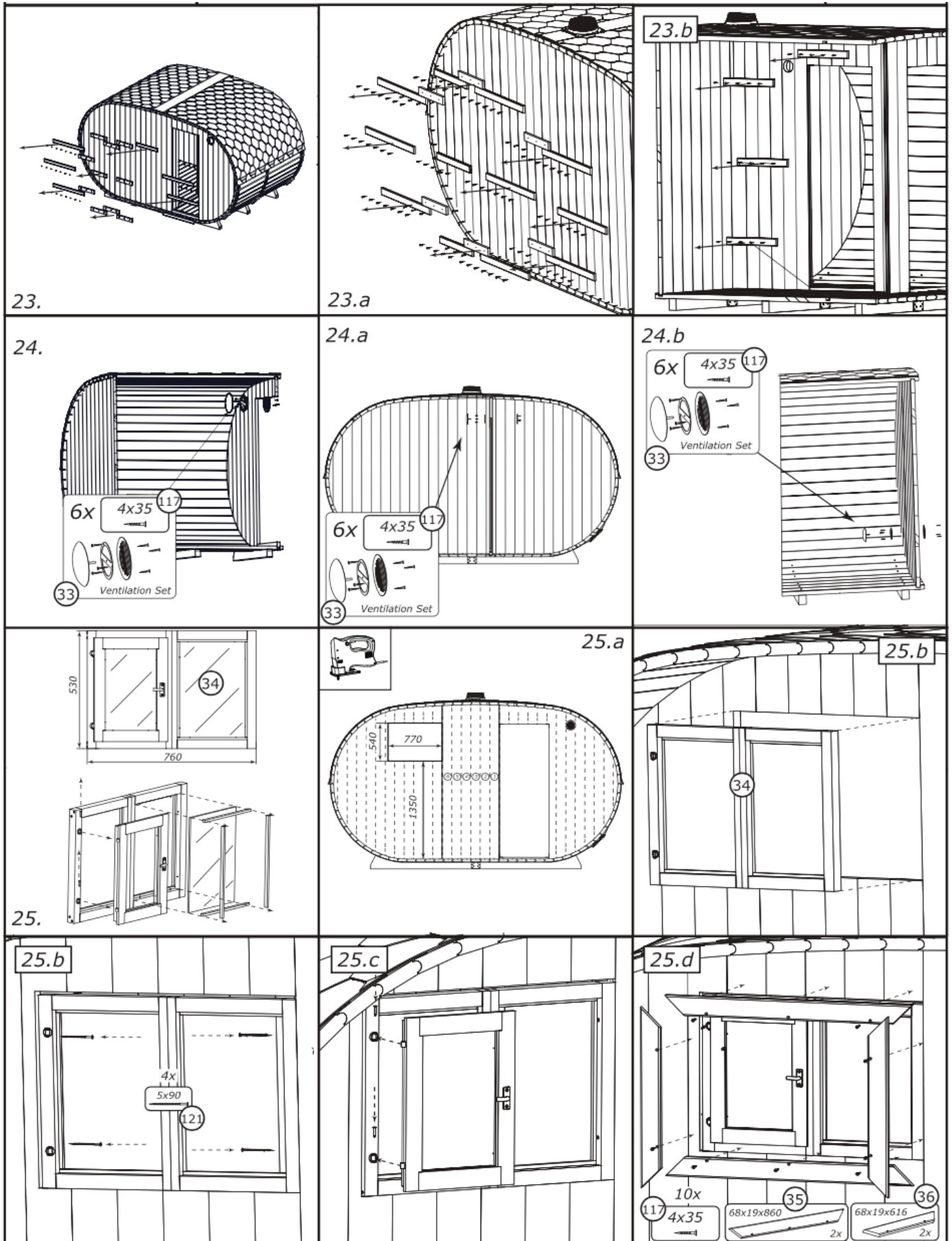
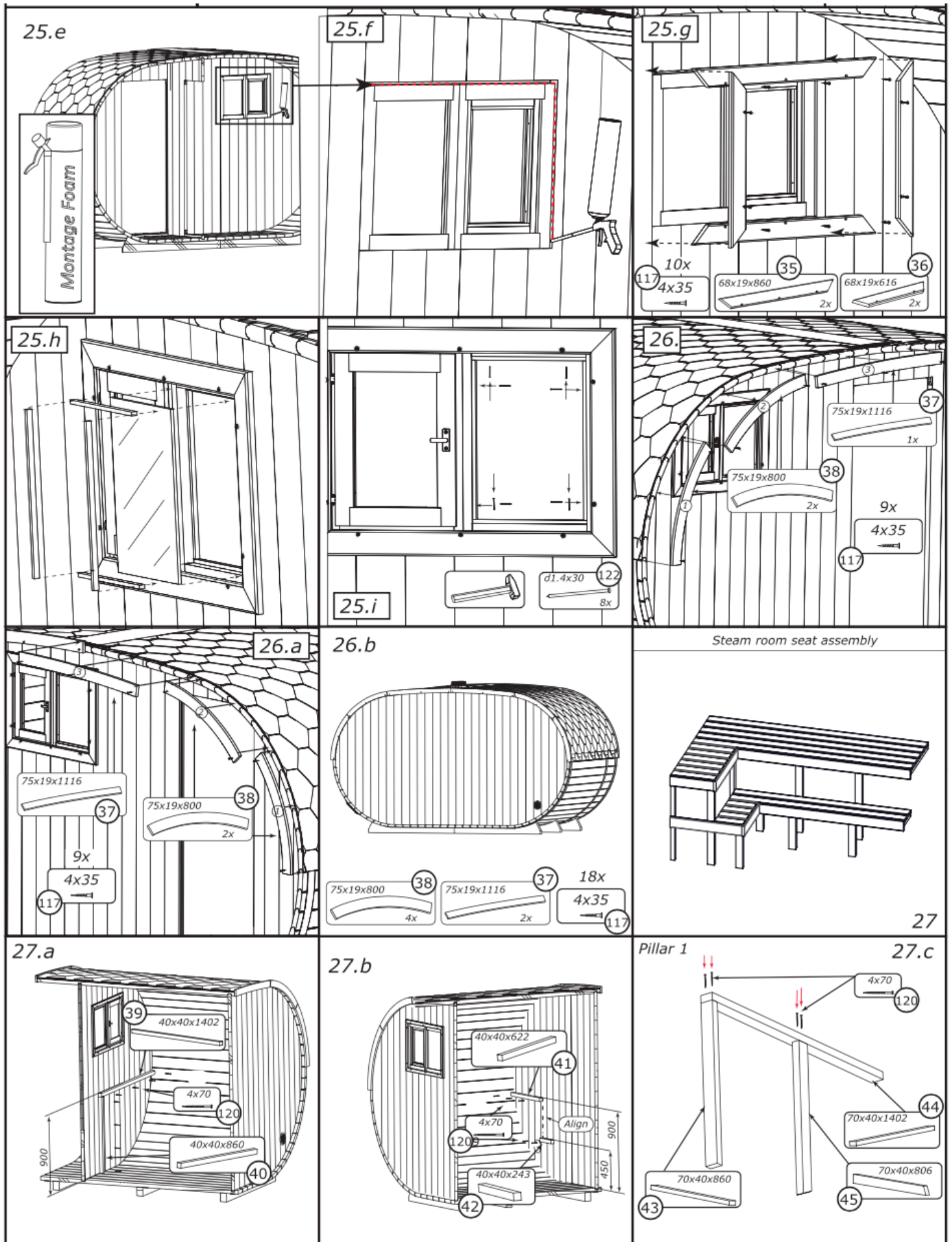


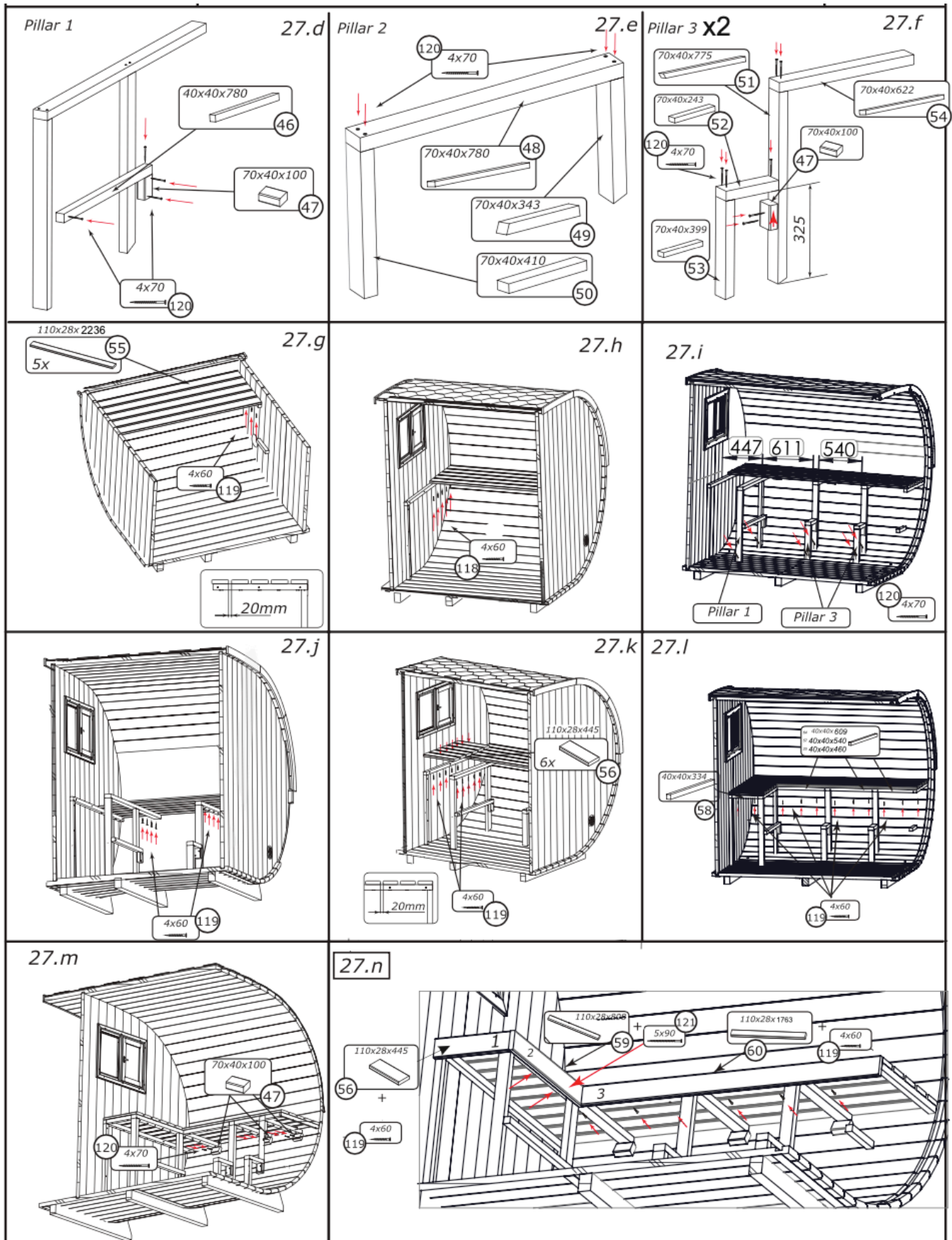
R1	52	53	54
R2	55	56	57
R3	58	59	60-1
R4	60-2	61	62
R5	63	64	65-1
R6	65-2	66	67
R7	68	69	70-1
R8	70-2	71	72
R9	73	74	75-1
R10	75-2	76	77
R11	78	79	80-1
R12	80-2	81	82
R13	83	84	85-1
R14	85-2	86	87
R15	88	89	90-1
R16	90-2	91	92
R17	93	94	95-1
R18	95-2	96	97
R19	98	99	100-1
R20	100-2	101	102
L20	49-2	50	51
L19	47	48	49-1
L18	44-2	45	46
L17	42	43	44-1
L16	39-2	40	41
L15	37	38	39-1
L14	34-2	35	36
L13	32	33	34-1
L12	29-2	30	31
L11	27	28	29-1
L10	24-2	25	26
L9	22	23	24-1
L8	19-2	20	21
L7	17	18	19-1
L6	14-2	15	16
L5	12	13	14-1
L4	9-2	10	11
L3	7	8	9-1
L2	4	5	6
L1	1	2	3



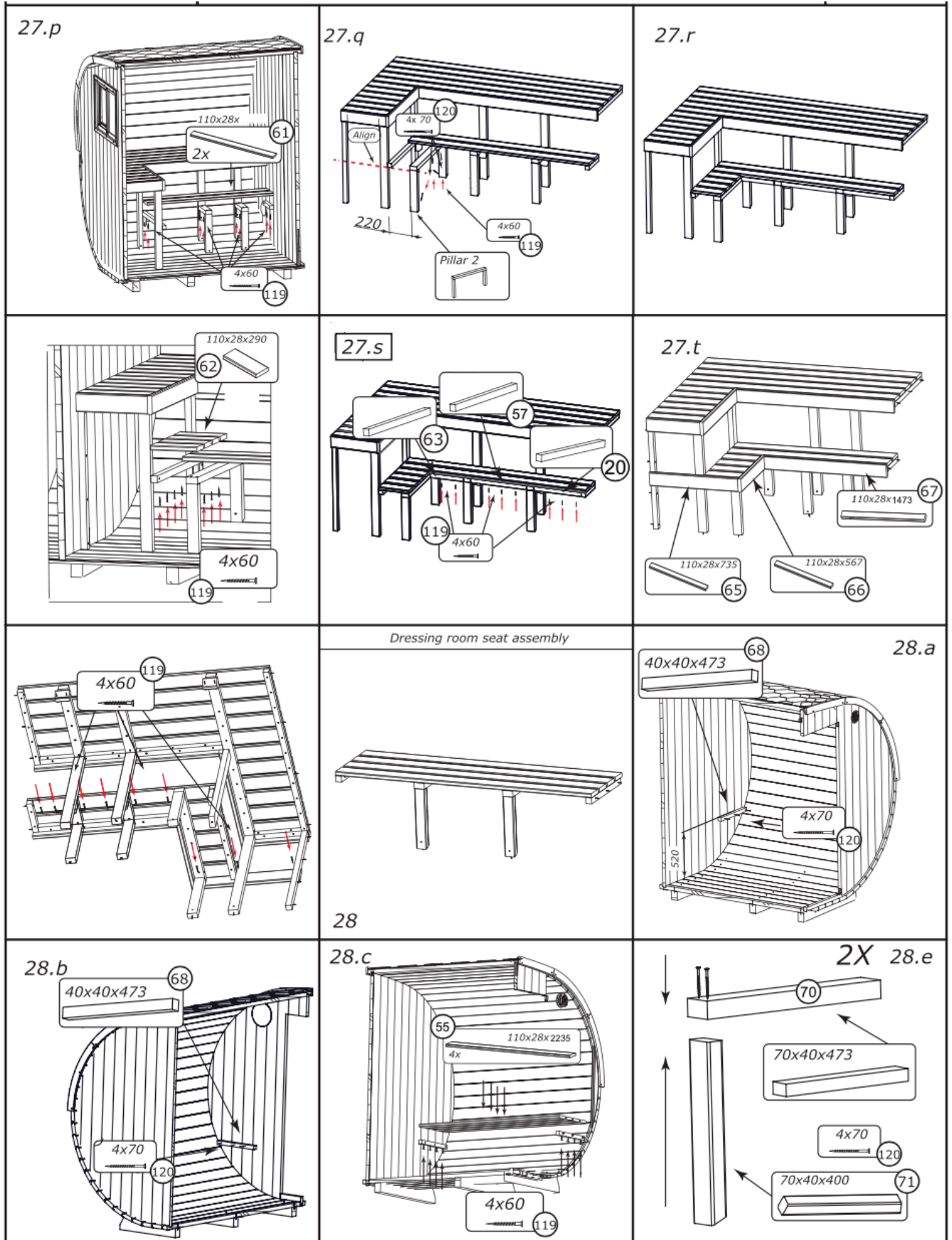
<p>19.b</p>		<p>20.a</p>
<p>for wood stove</p> <p>Front</p>	<p>22.</p>	<p>22.a</p>
<p>22.b</p>		
<p>for wood stove</p>	<p>for wood stove</p>	

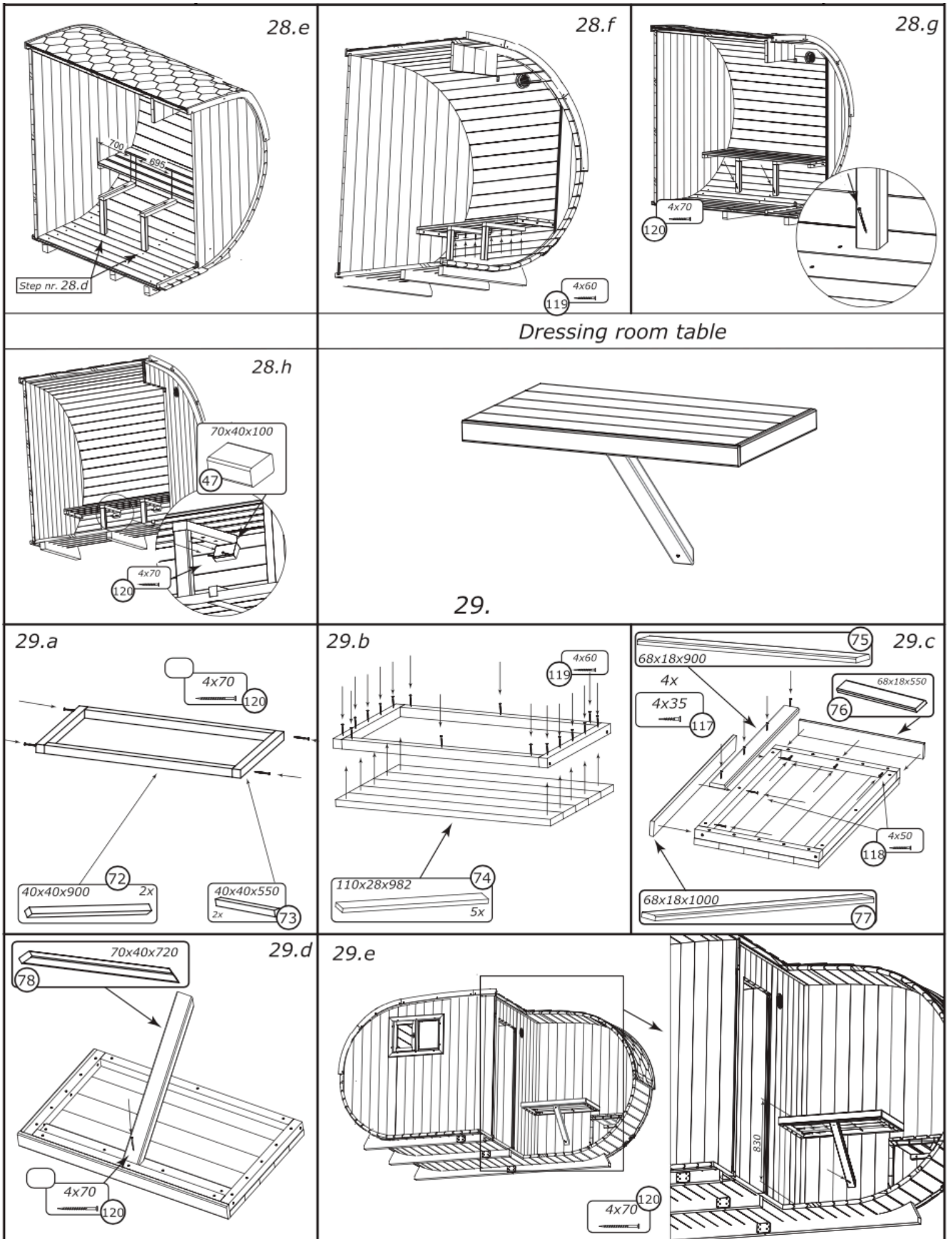


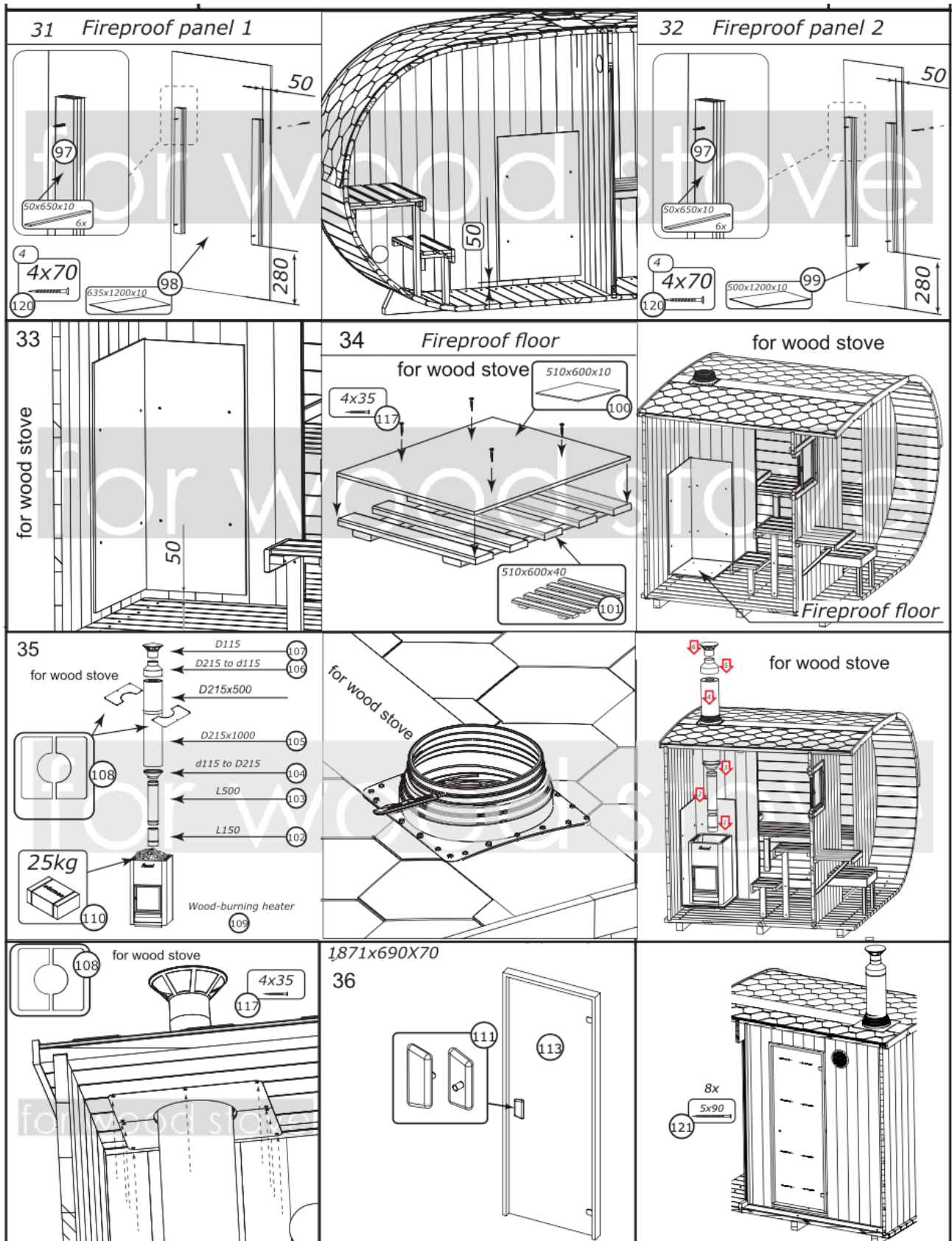


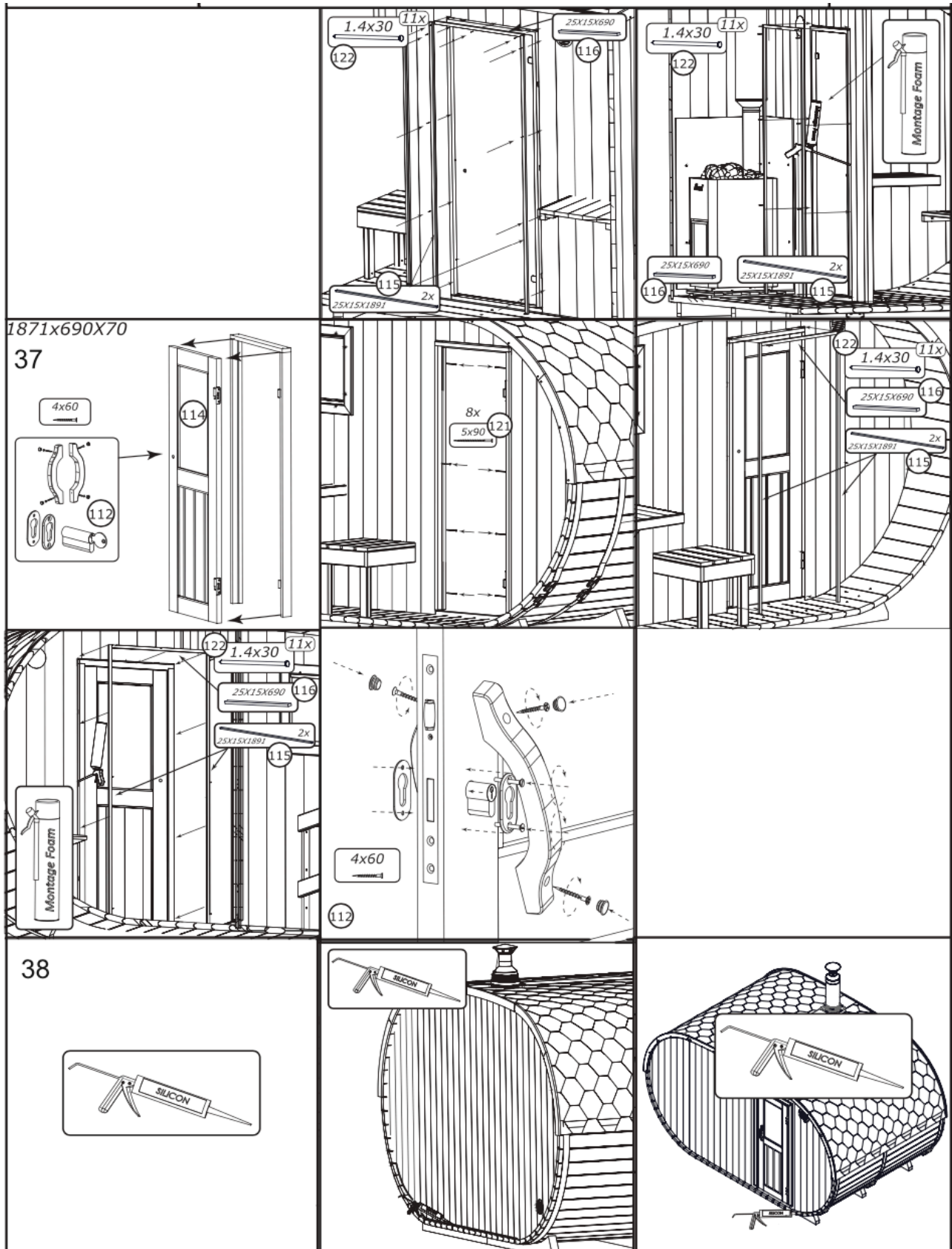


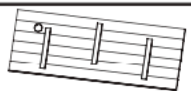
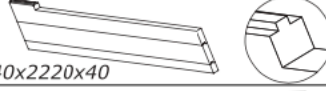
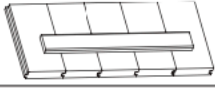



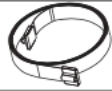


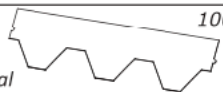
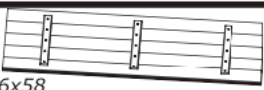



















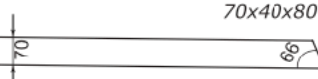



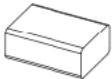



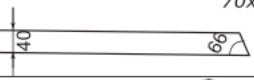



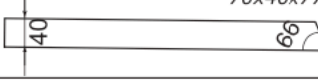



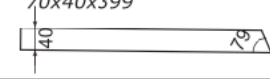





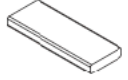
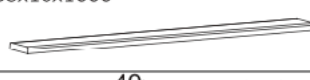

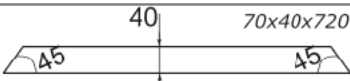

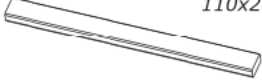




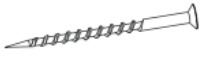

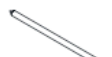

























(1)	n270	75x200x1495	6	(21)	si407		1
(2)	n271	125x90x9	6	(22)	s291	1279x222Cx58 	1
(3)	si400	145x41x2400	40	(23)	s292	340x2220x40 Inner wall 	1
(4)	si400	145x41x2400	36	(24)	s289	683x255x58 	2
(5)	si401	145x41x2400	1	(25)	u113	40x75x708 	8
(6)	si402	145x41x2400	1	(26)	352	50x50x35 	12
(7)	si403	145x41x2400	1	(27)	353set	75x22x400 	3
(8)	si404	100x41x2400	2	(28)	353set	L10850 	3
(9)	si405	45x41x2400	2	(29)	u70	30x70x2400 	2
(10)	si406	145x41x2400 Top Beam	1	(30)	Katepal	1000x315 	104
(11)	s280		1	(31)	Asphalt	1000x315 L2400 	1
(12)	s281	1089x2232x58	1	(32)	g125	L2400	
(13)	s282	1160x2191x58	1	(33)	v112	Ventilation Set 	3
(14)	s283	1168x2191x58	1	(34)	o354	760x530 	1
(15)	s284	548x2232x58	1	(35)	o348	68x19x860 	4
(16)	s285	683x2226x58	1	(36)	o349	68x19x616 	4
(17)	s286	1160x2191x58	1	(37)	350	75x19x1116 	4
(18)	s287	683x257x58	1	(38)	351	75x19x800 	8
(19)	s288	1040x2178x58	1	(39)	si293	40x40x1402 Steam room seat 	1
(20)	s408	40x40x460	2	(40)	si294	40x40x860 	1

41 si295	40x40x622 	1	61	110x28x1791 	2
42 si296	10x40x243 	1	62 si314	110x28x290 	4
43 si297	70x40x860 	1	63 si315	40x40x320 	1
44 si298	70x40x1402 	1	64 si316	40x40x609 	1
45 si299	70x40x806 	1	65 si317	110x28x735 	1
46 si300	40x40x780 	1	66 si318	110x28x567 	1
47 ks87	70x40x100 	8	67 si319	110x28x1473 	1
48 si301	70x40x780 70x40x343 	1	68 si320	40x40x473 	2
49 si302	40 6° 	1	70 si322	70x40x473 	2
50 si303	70x40x410 70x40x775 	1	71 si323	40 6° 	2
51 si304	40 6° 	2	72 st324	40x40x900 	2
52 si305	70x40x243 	2	73 st325	40x40x550 	2
53 si306	70x40x399 40 6° 	2	74 st326	110x28x982 	5
54 si307	70x40x622 	2	75 st327	68x18x900 	1
55 si409	110x28x2236 	9	76 st328	68x18x550 	1
56 si309	110x28x445 	7	77 st329	68x18x1000 	1
57 si410	40x40x540 	2	78 st330	40 45° 70x40x720 45° 	1
58 si310	40x40x334 	1			
59 si311	110x28x808 	1			
60 si444	110x28x1763 	1			

Nr	Preview	Size	Qty
119		4x60	130 pcs / 400 gramms
120		4x70	150 pcs / 525 gramms
121		5x90	40 pcs / 290 gramms
122		1.4x30	54 pcs / 20 gramms
124		2xL30	470 pcs / 675 gramms
125		T15, T20, T25	1+1+1
114 d118set		1870x690	1
115 d119-1		25X15X1891	8
116 d119		25X15X690	4
117		4x35	112 pcs / 224 gramms
118		4x50	10 pcs / gramms
110	 Stones	400x285x150	1
111 d117set			Set
112 d118set			Set
113 d117set		1870x690	1

Nr	Size	Qty	Preview
	1200x635	1	
	1200x500	1	
z124-1	510x600	1	
z124-2		12	
	4x35	24	
	4x60	6	
	8xL30	32	
g125		1	
	4x70	4	
g125-2		2	