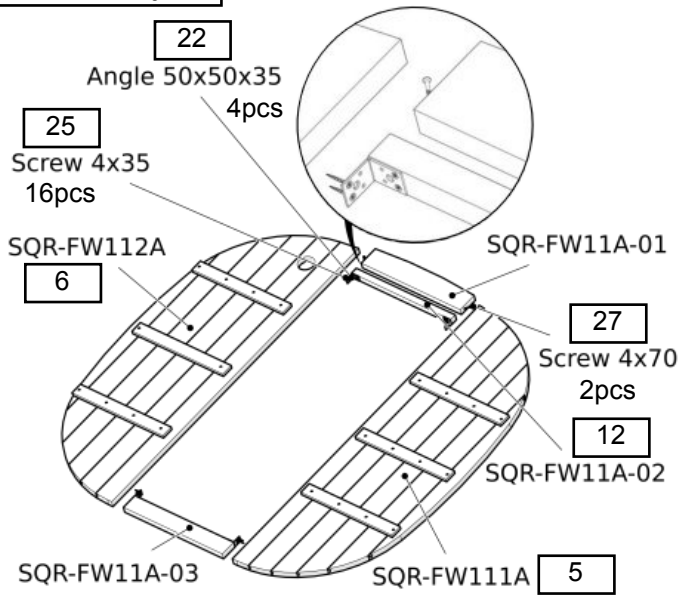
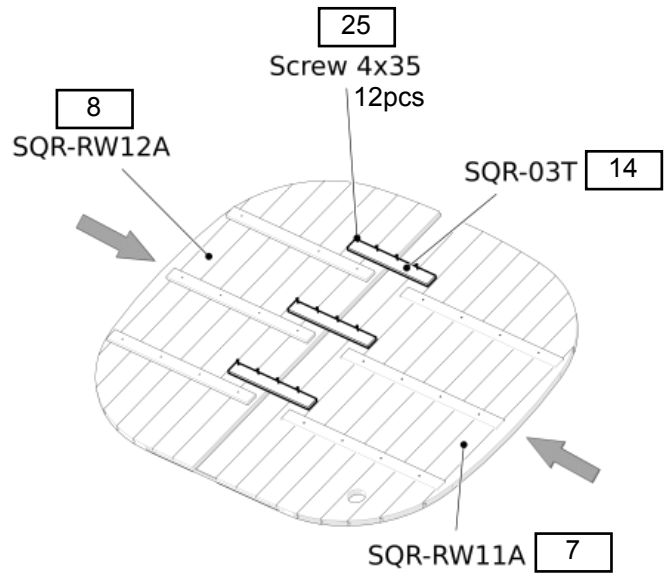


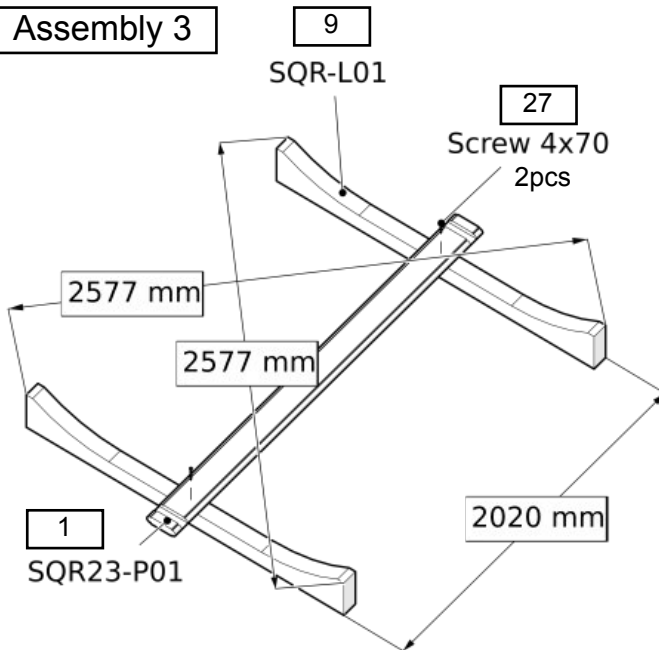
Assembly 1



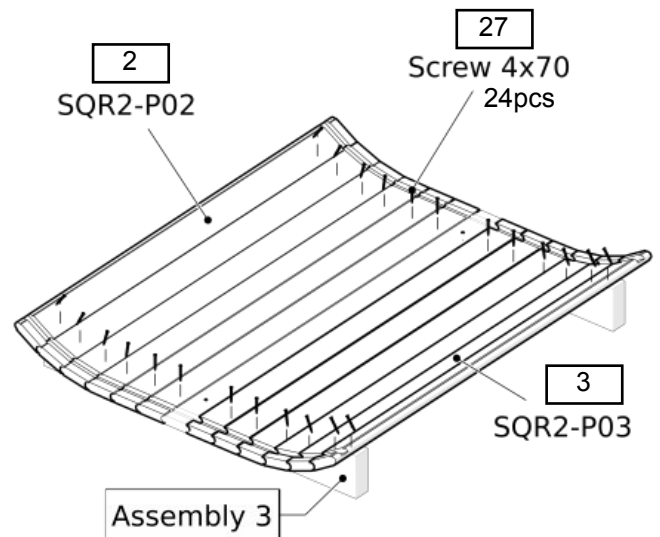
Assembly 2



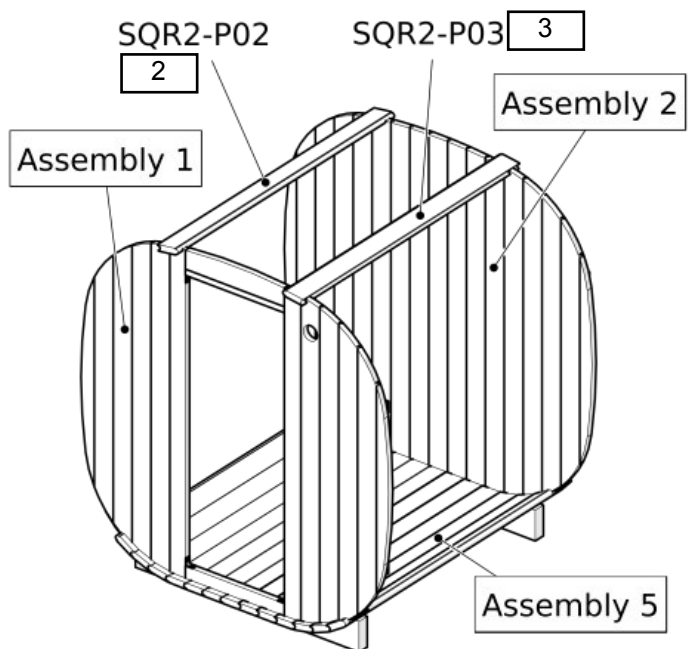
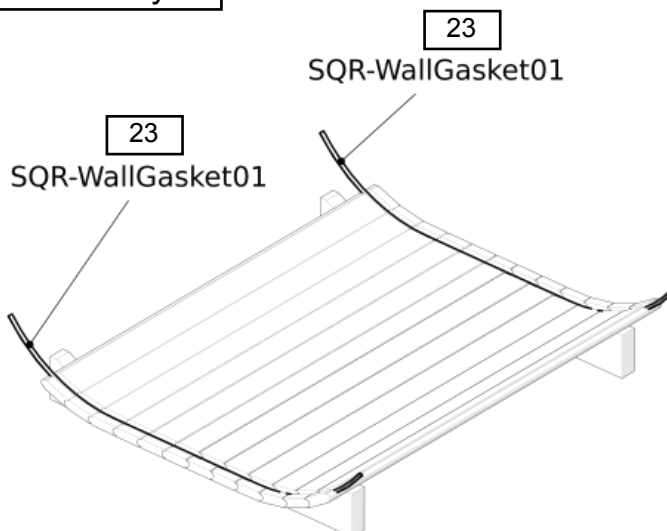
Assembly 3

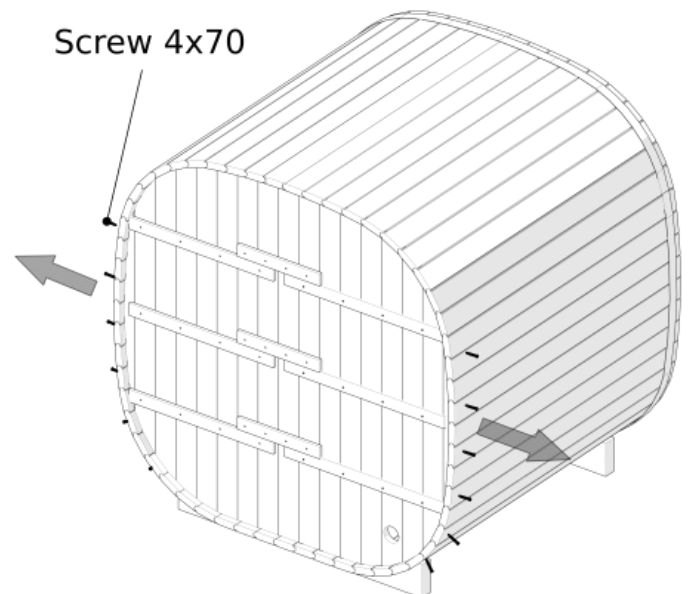
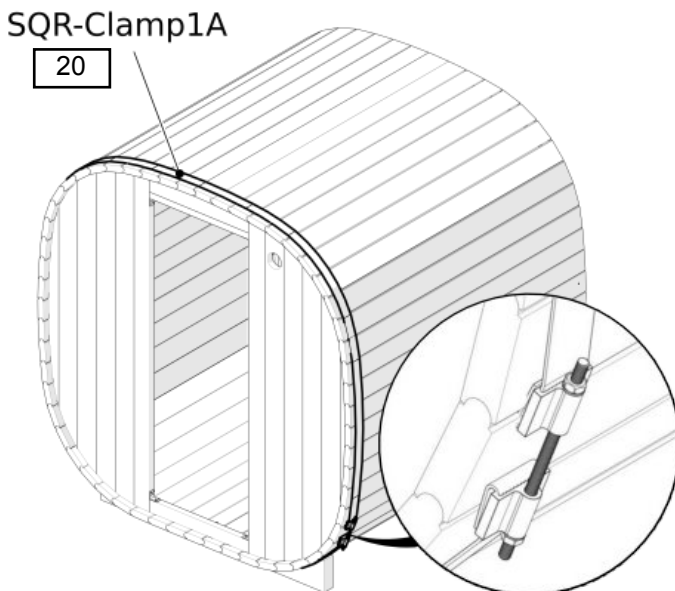
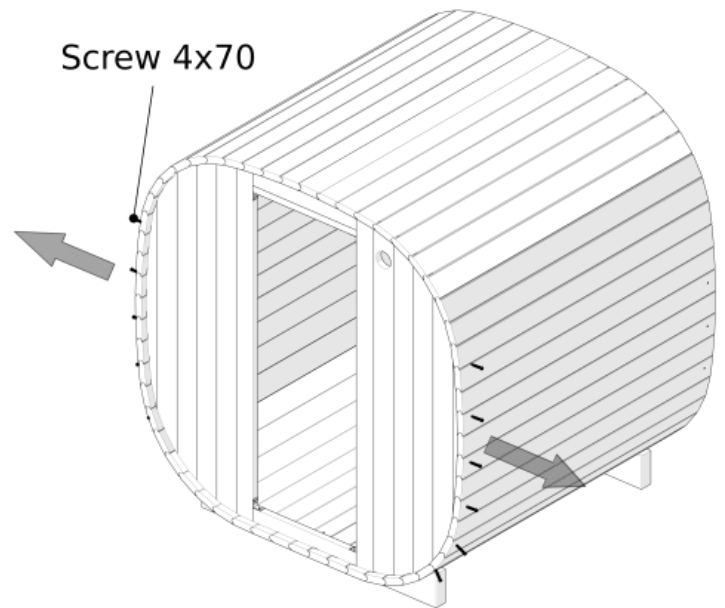
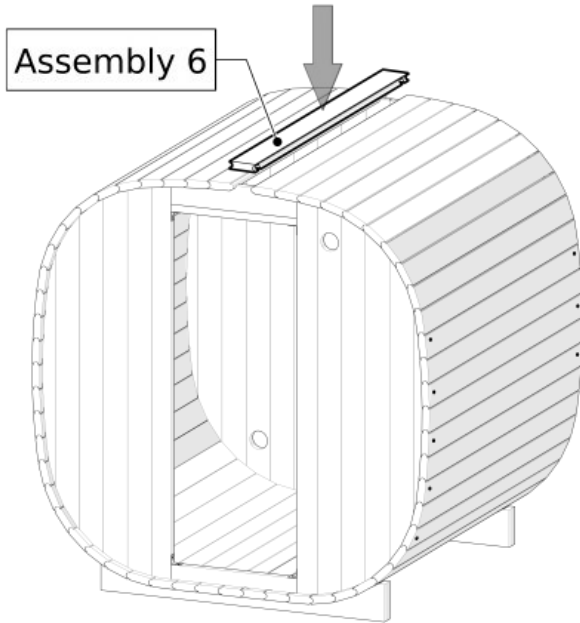
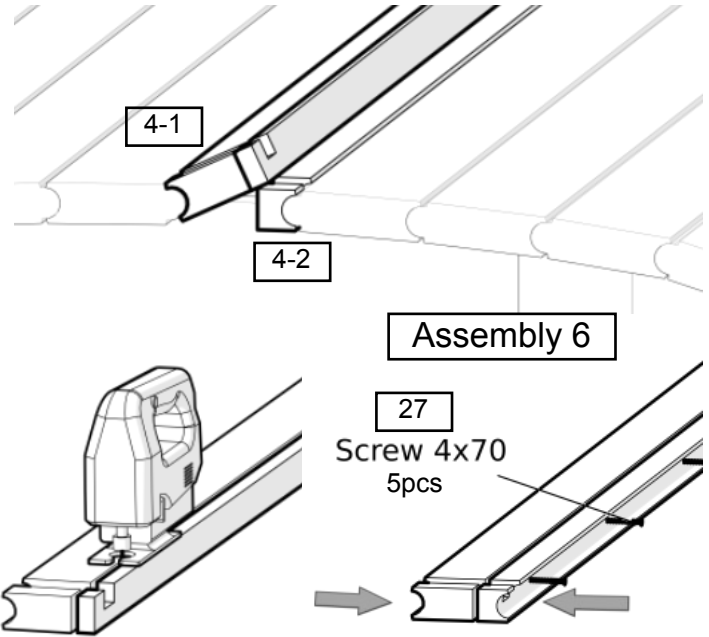
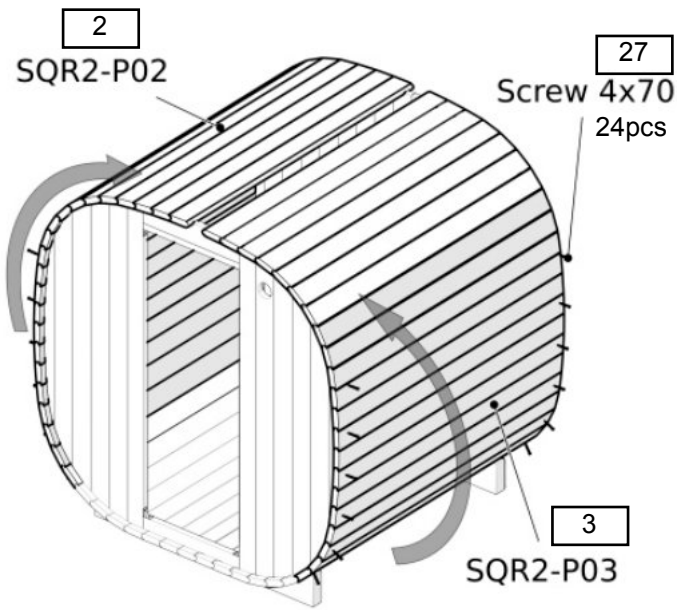


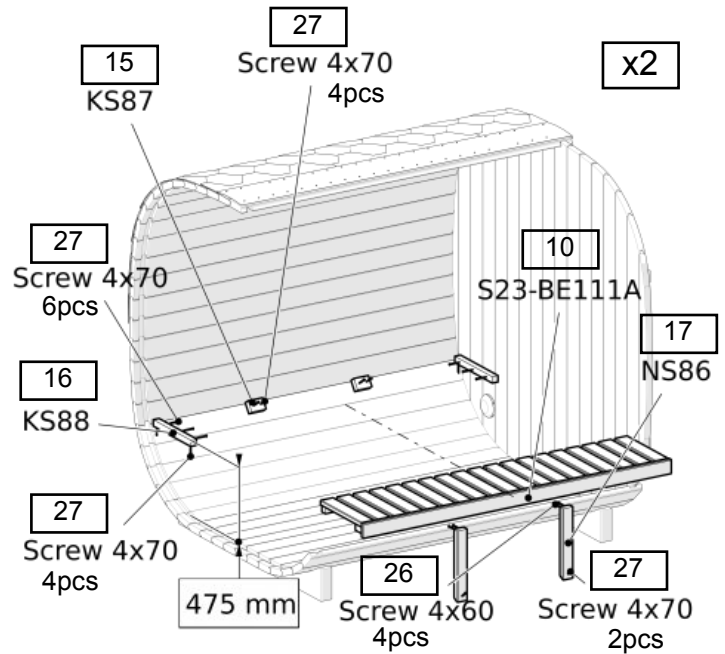
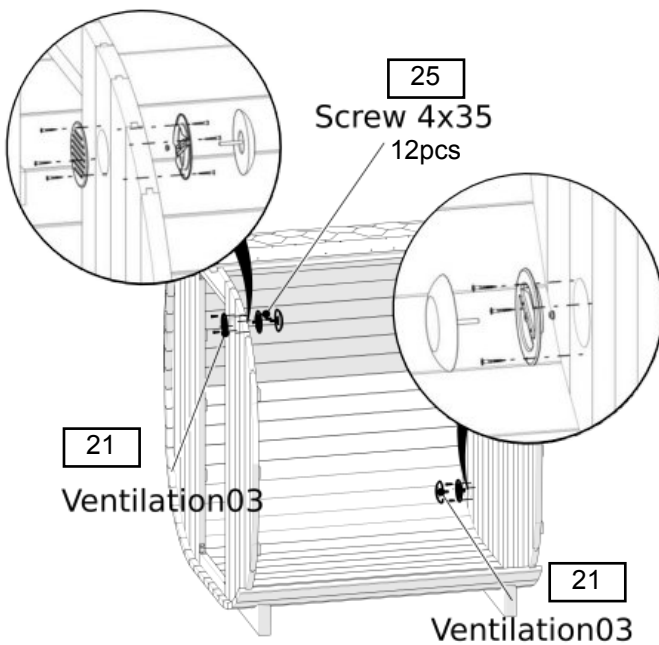
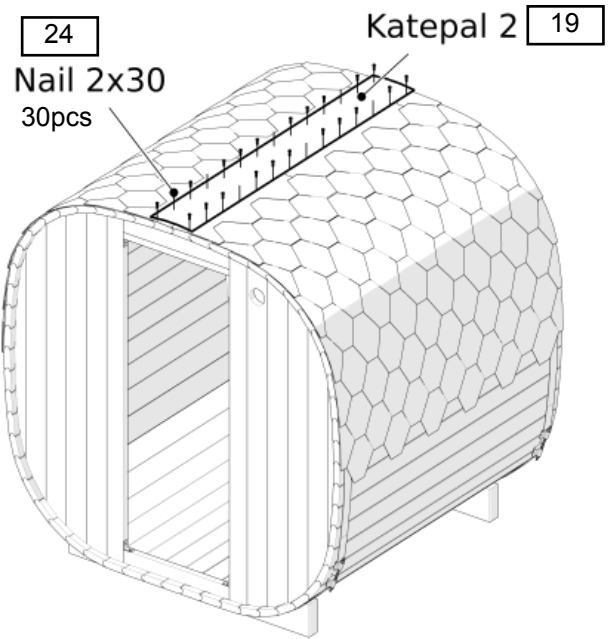
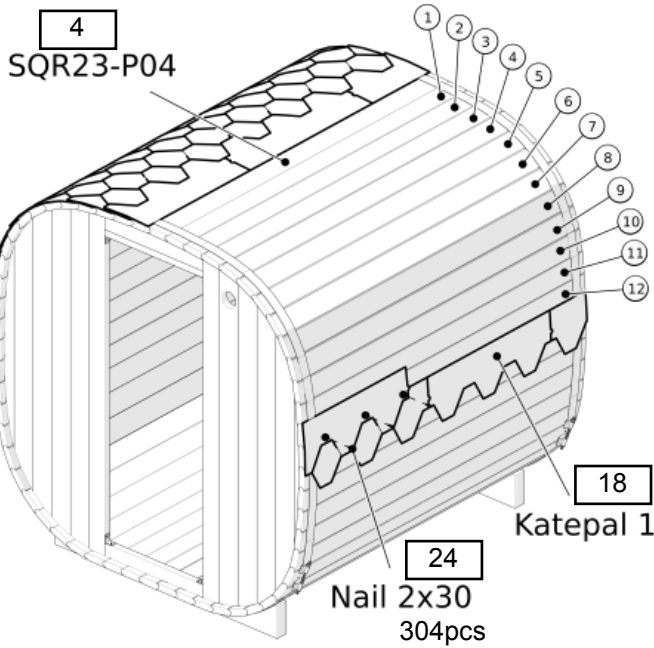
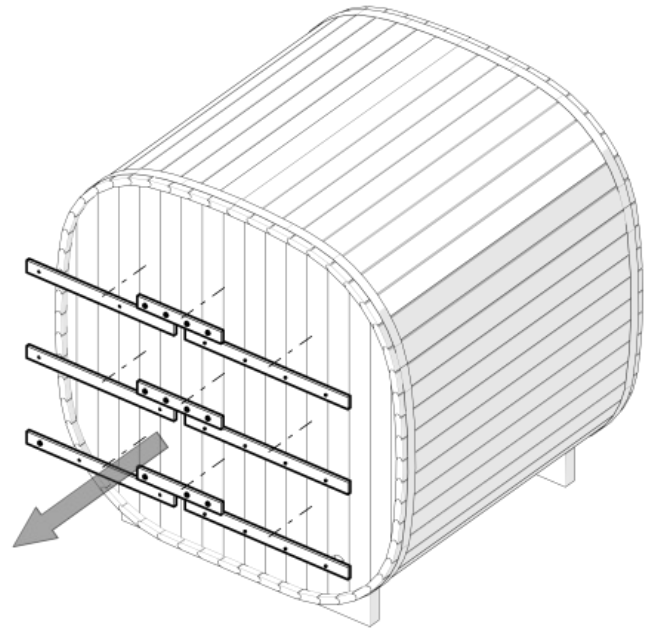
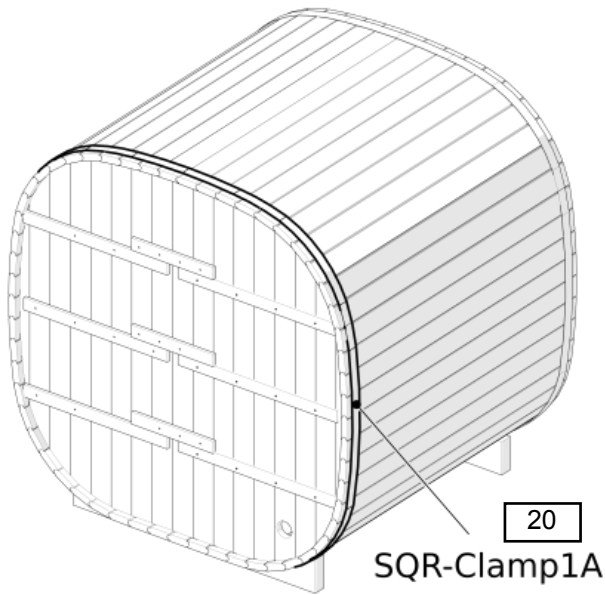
Assembly 4

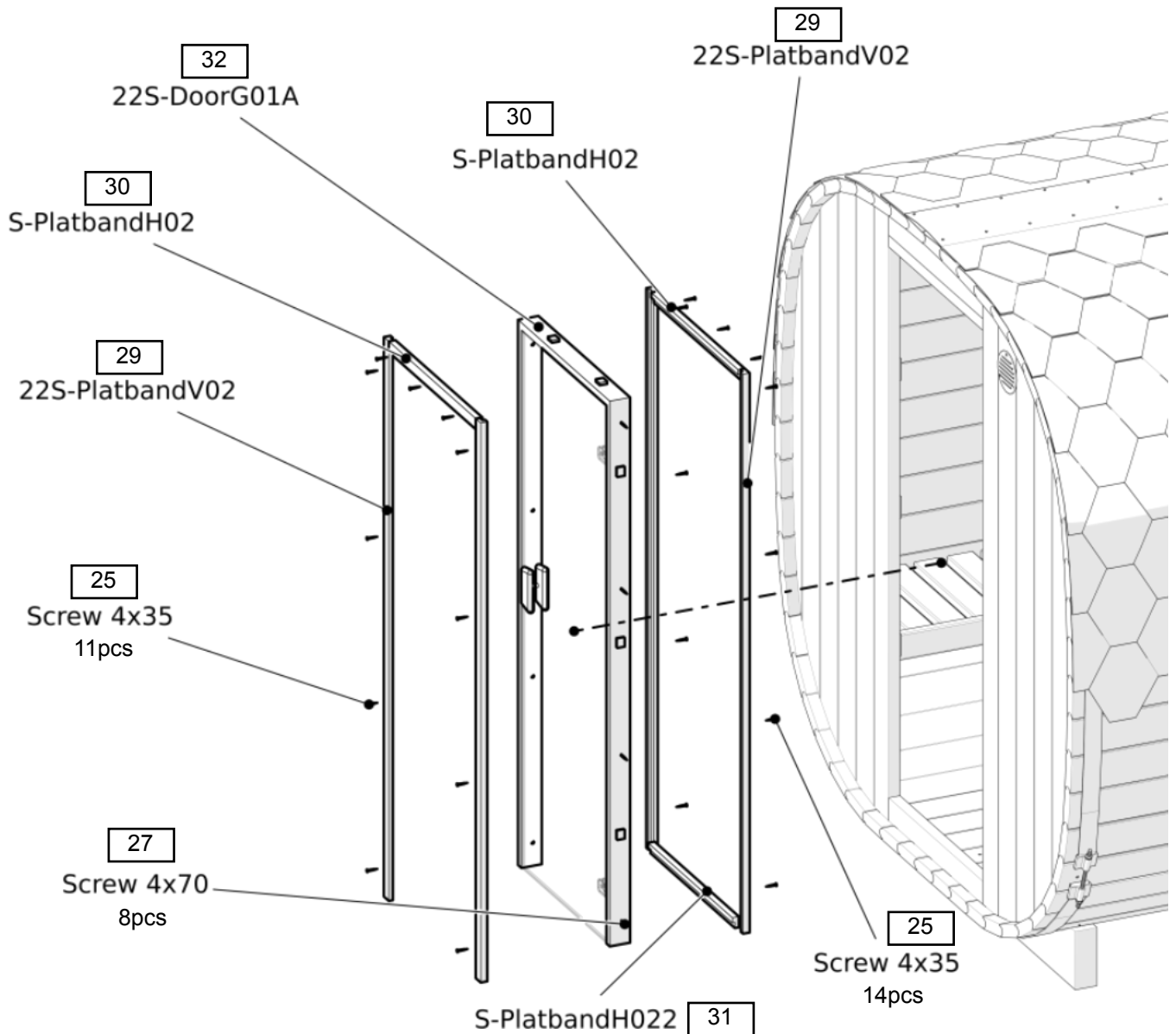
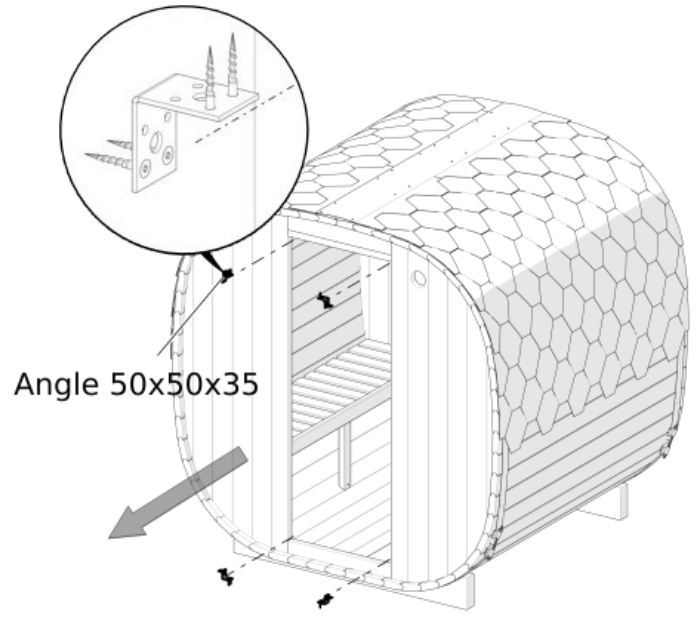
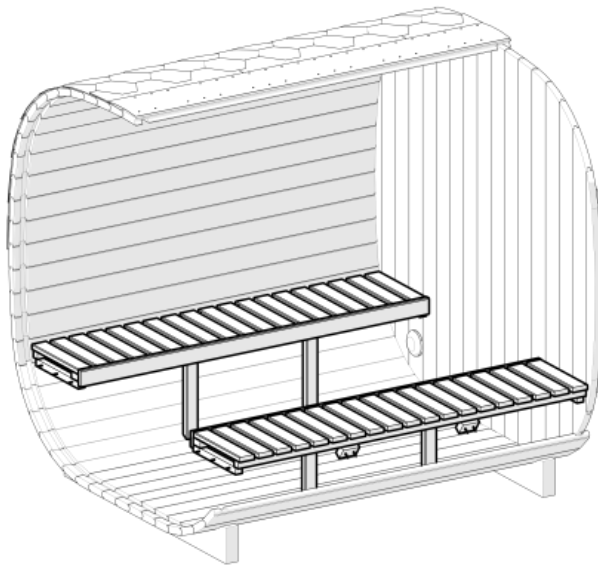


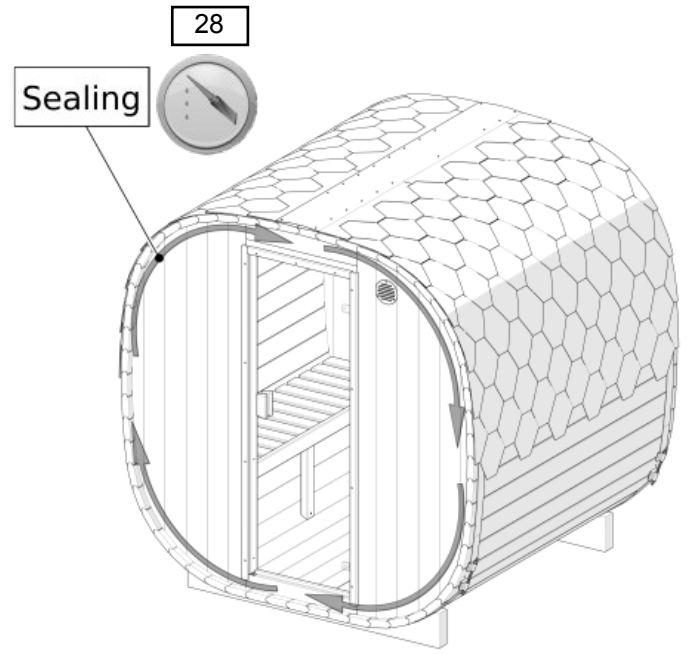
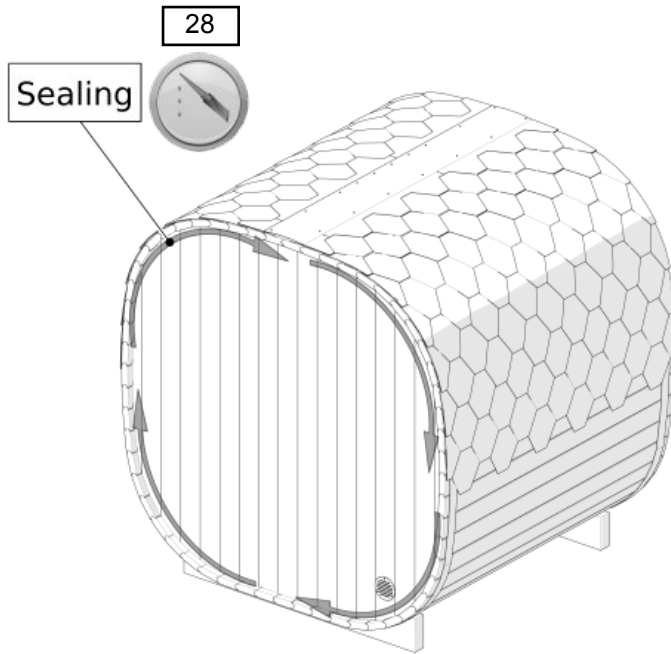
Assembly 5



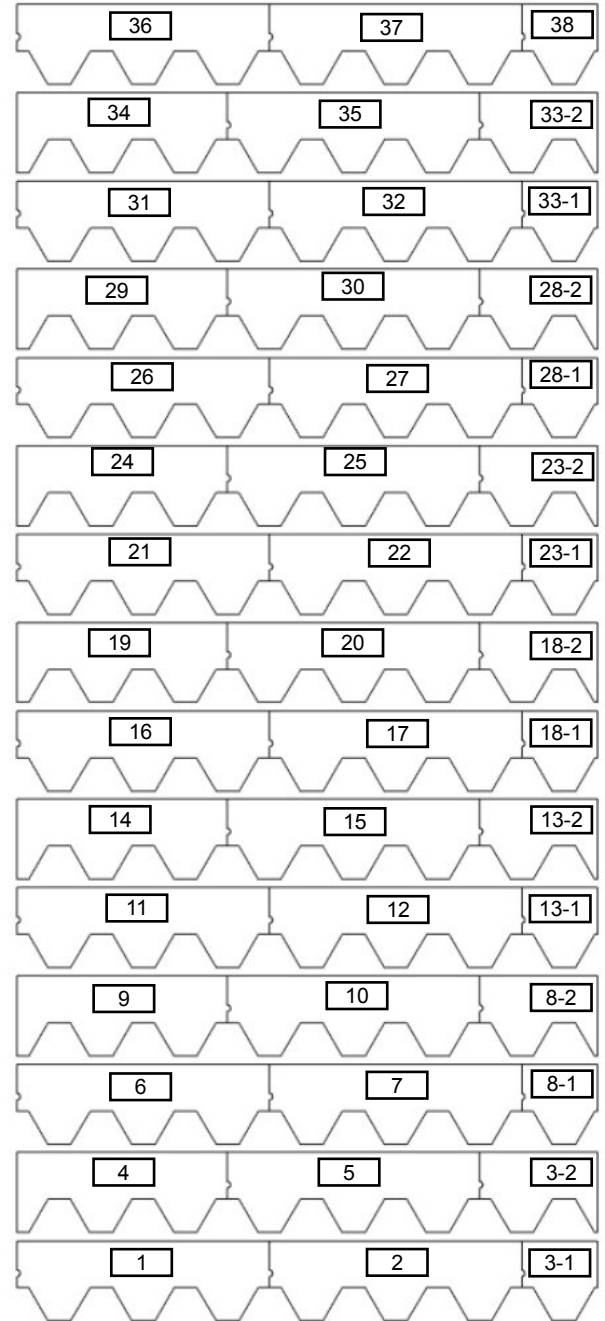
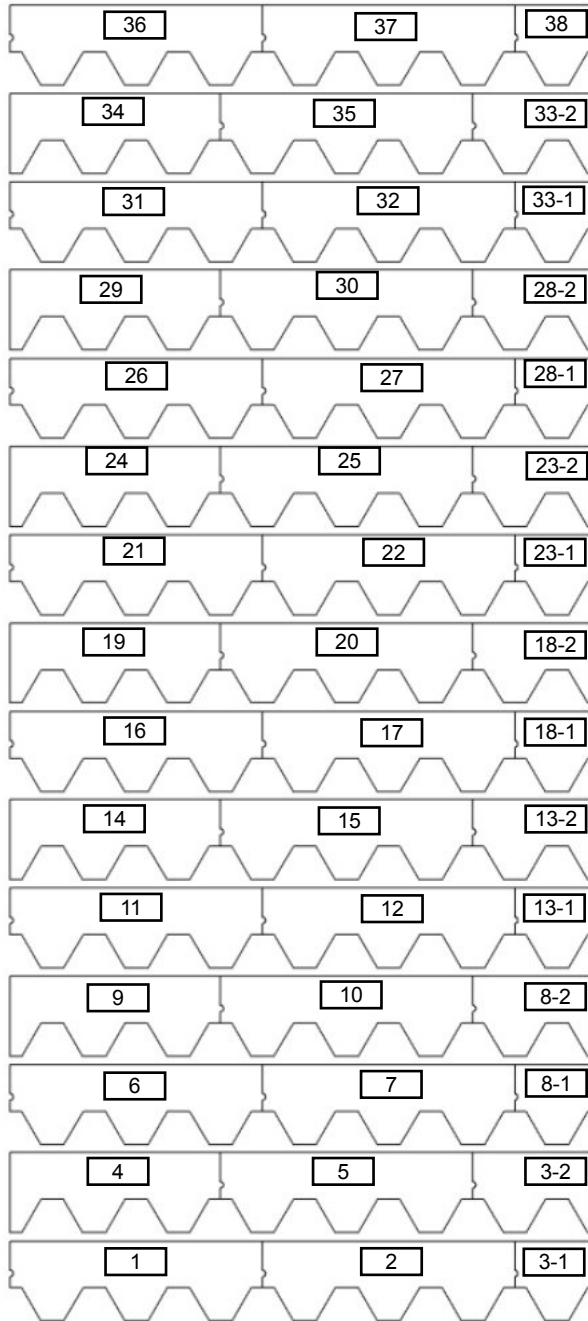








Roof layout



Assembly tools:

