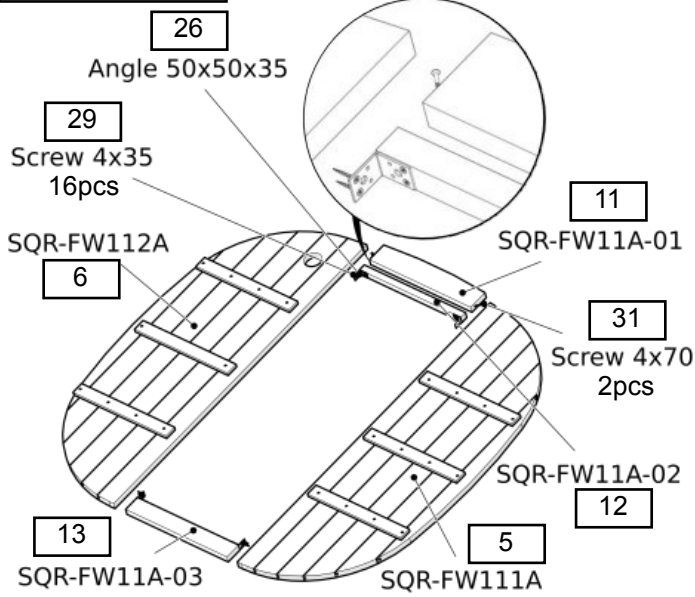
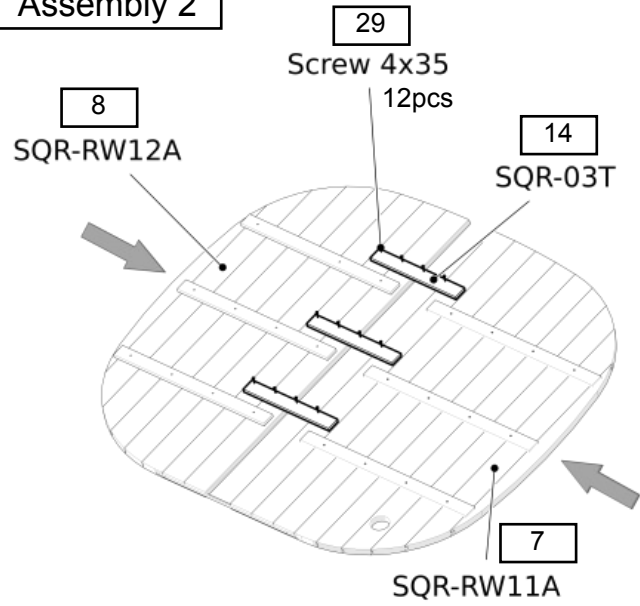


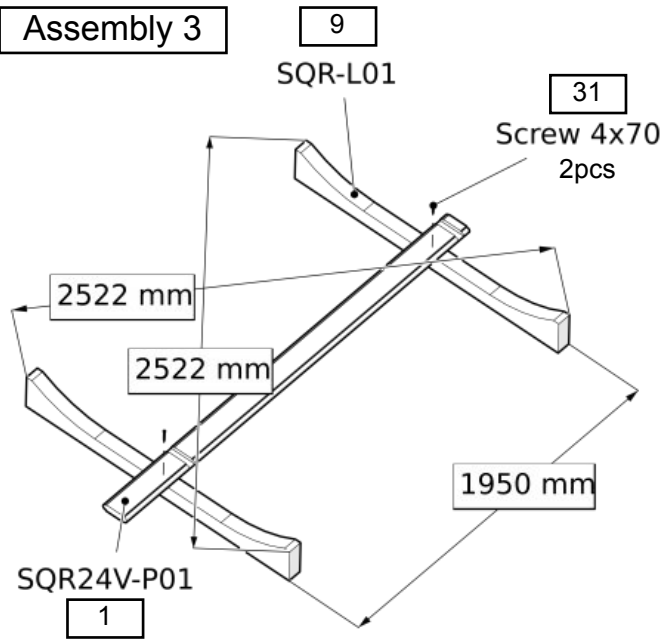
Assembly 1



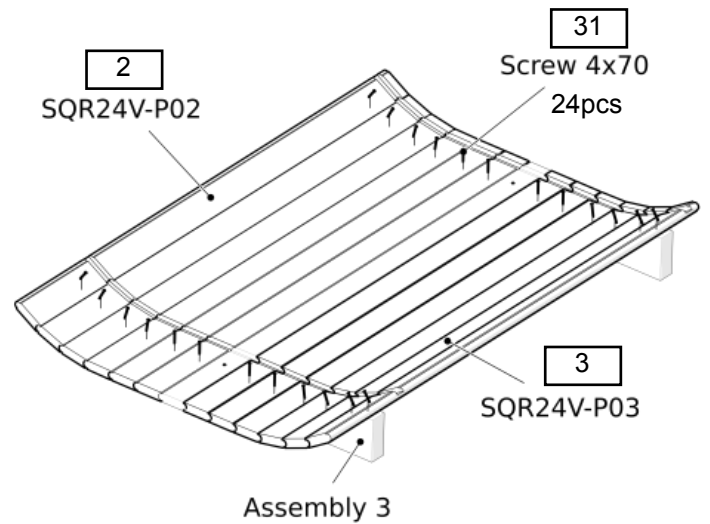
Assembly 2



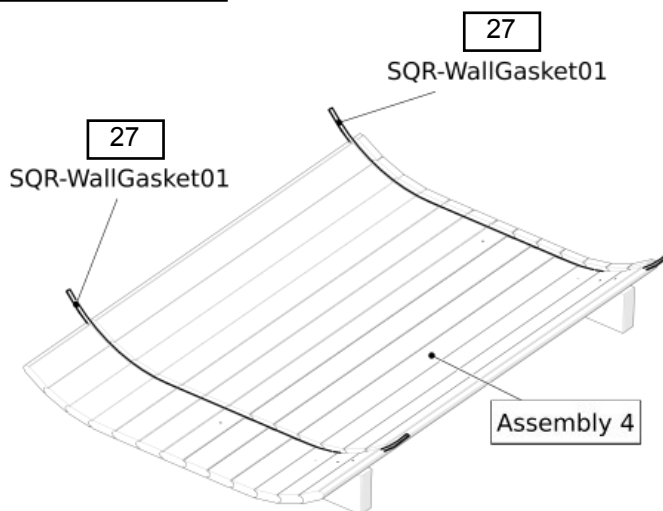
Assembly 3



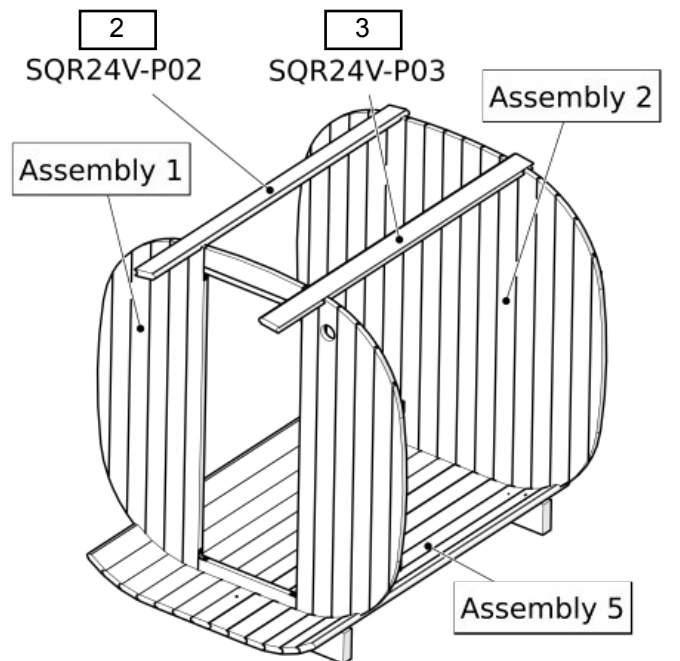
Assembly 4

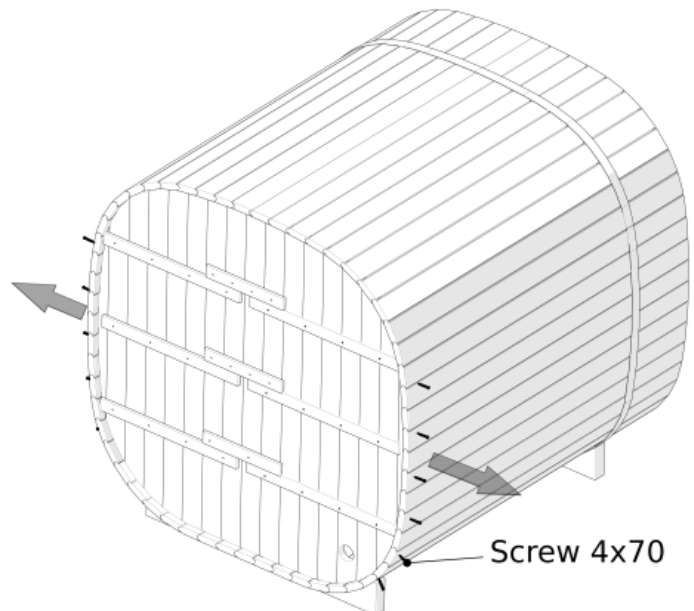
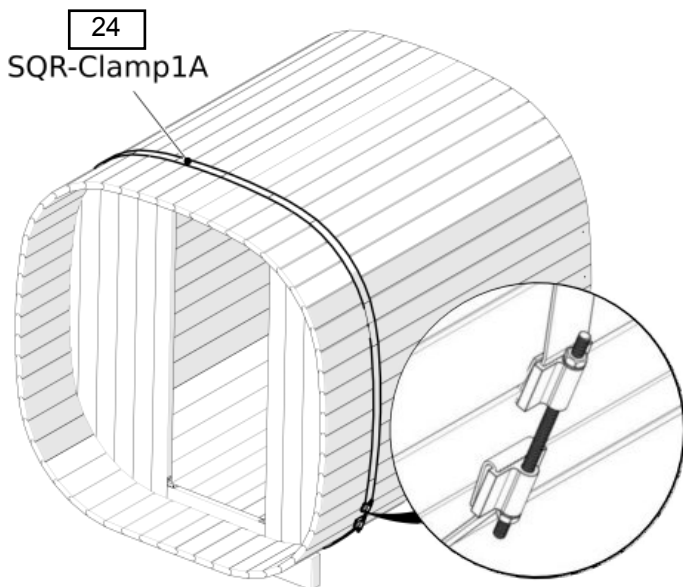
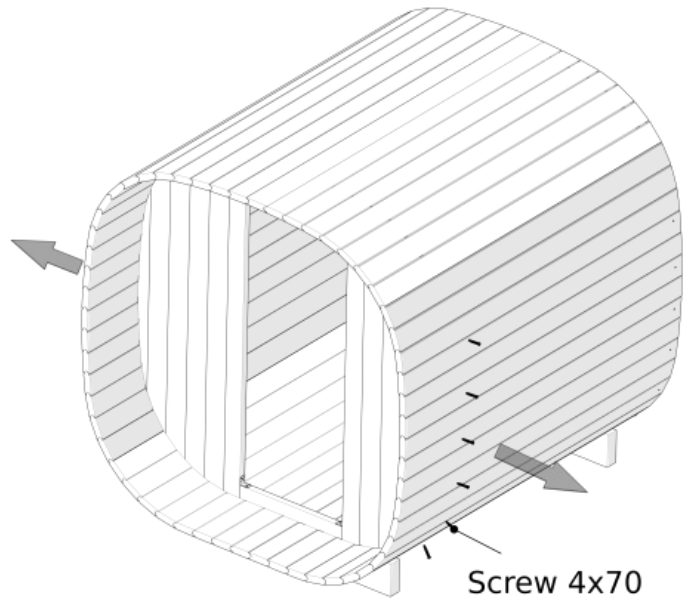
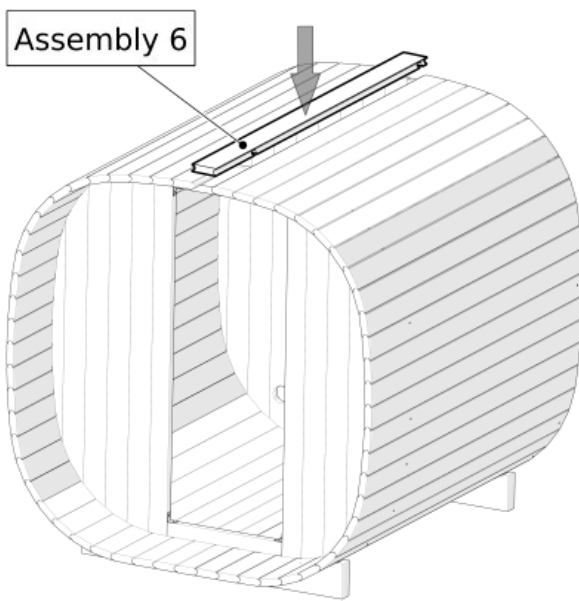
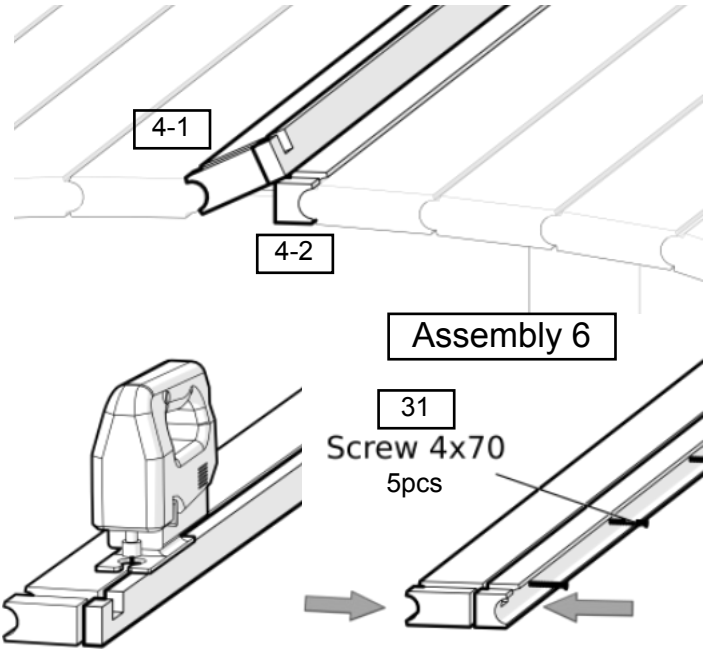
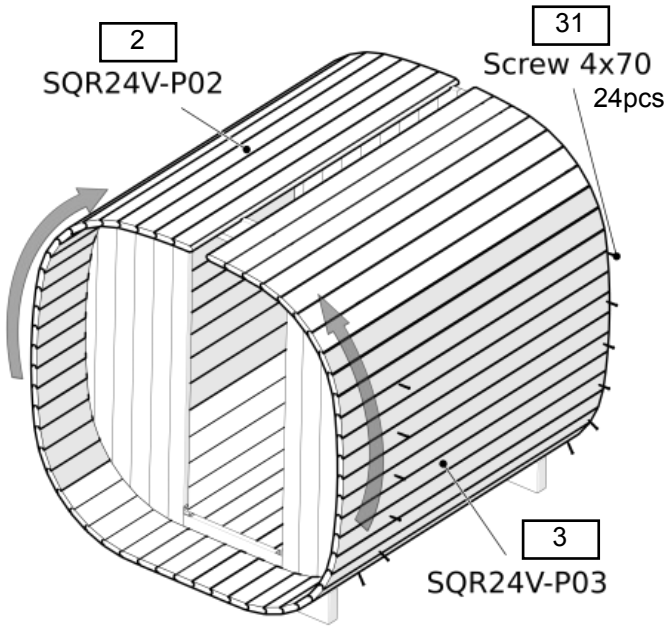


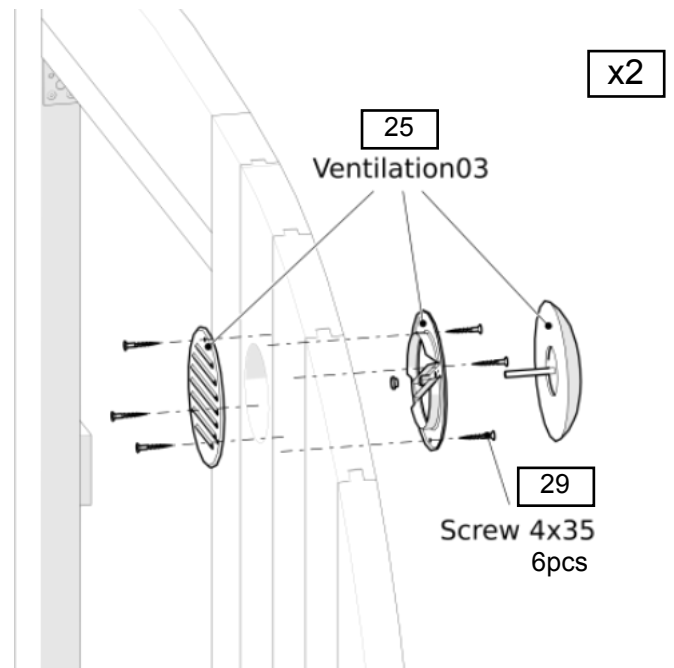
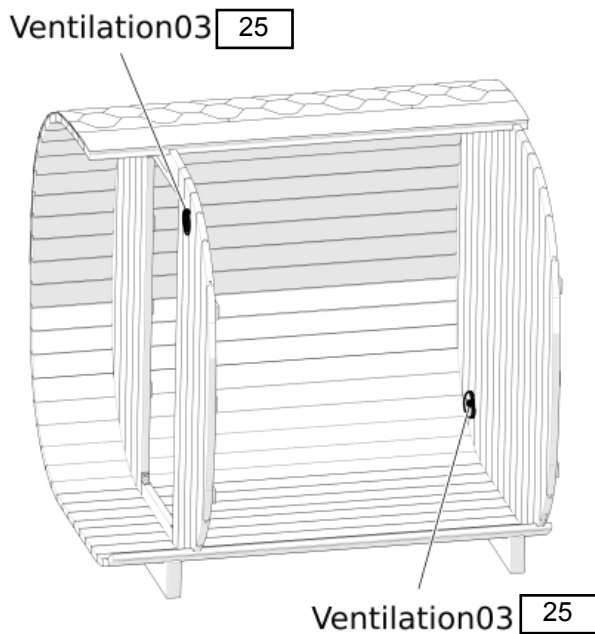
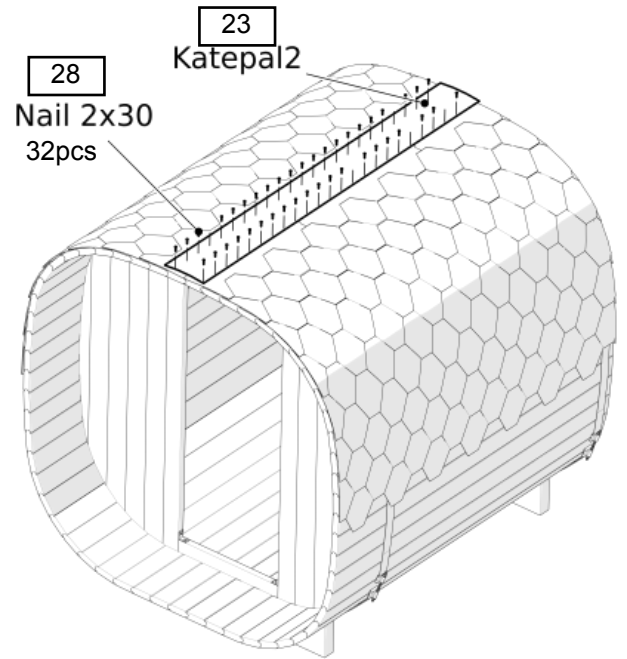
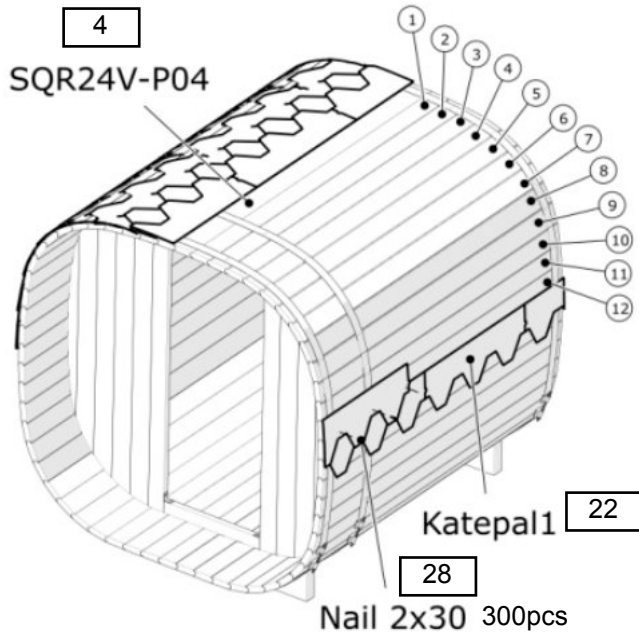
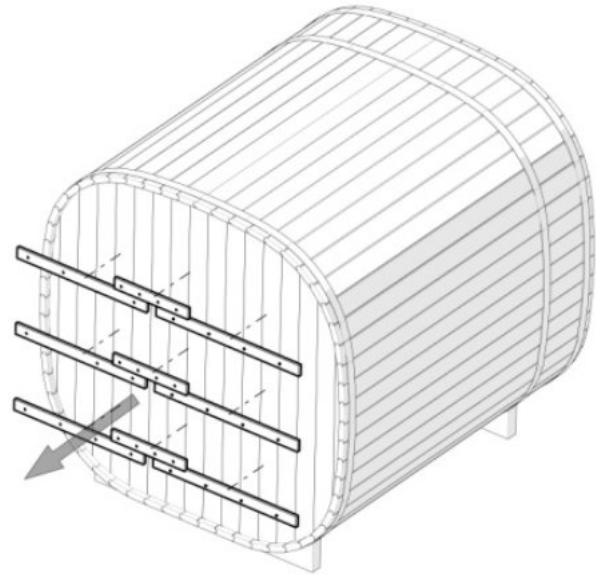
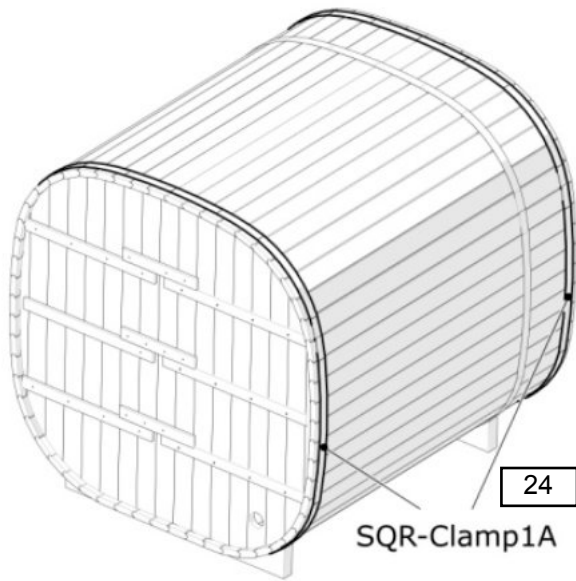
Assembly 5

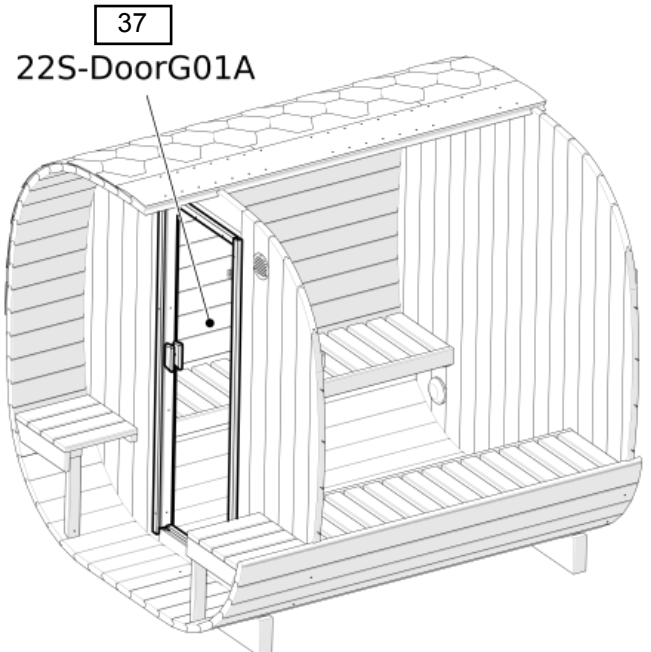
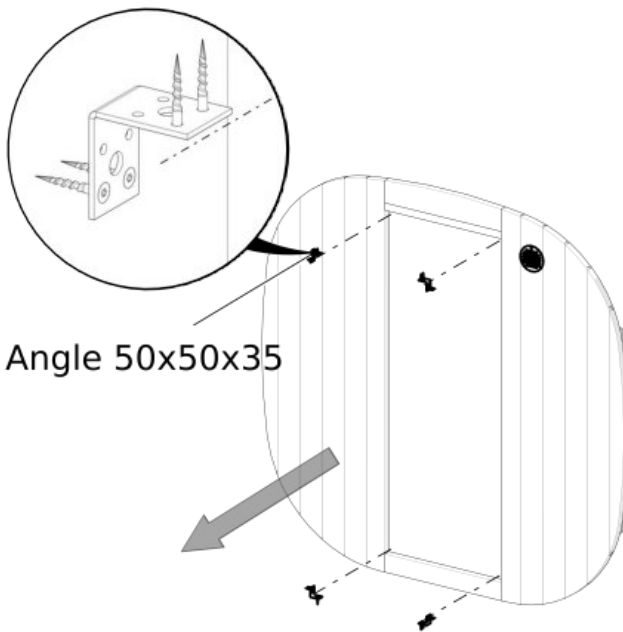
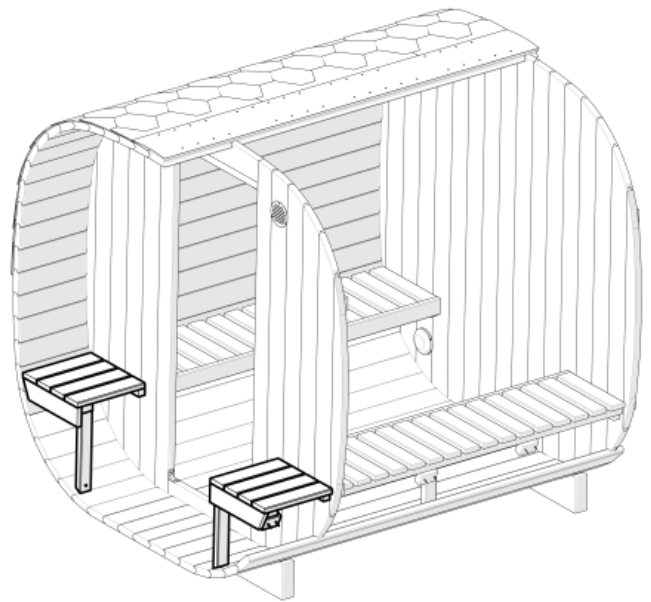
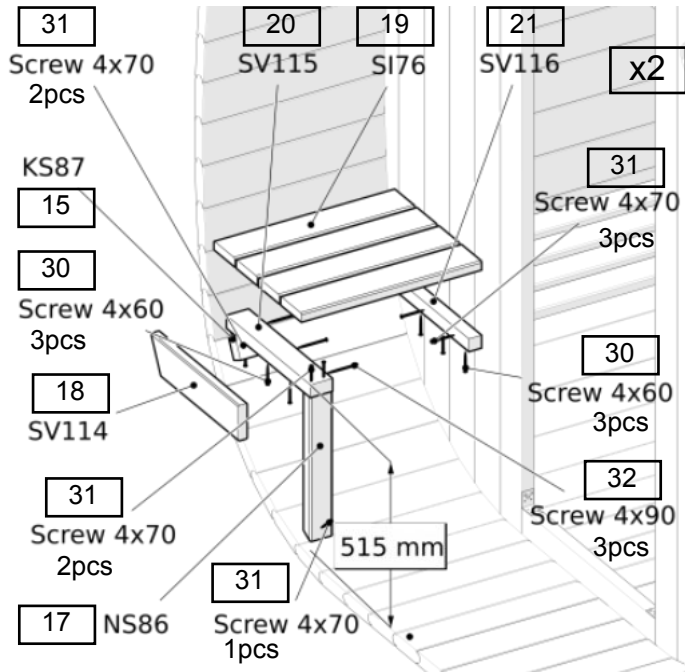
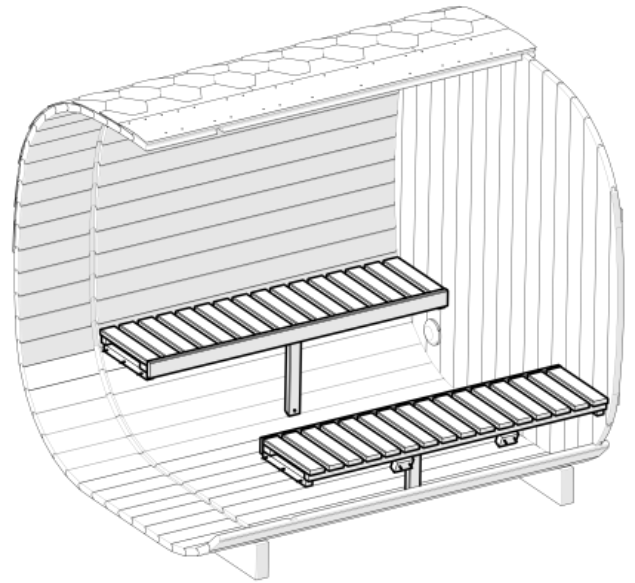
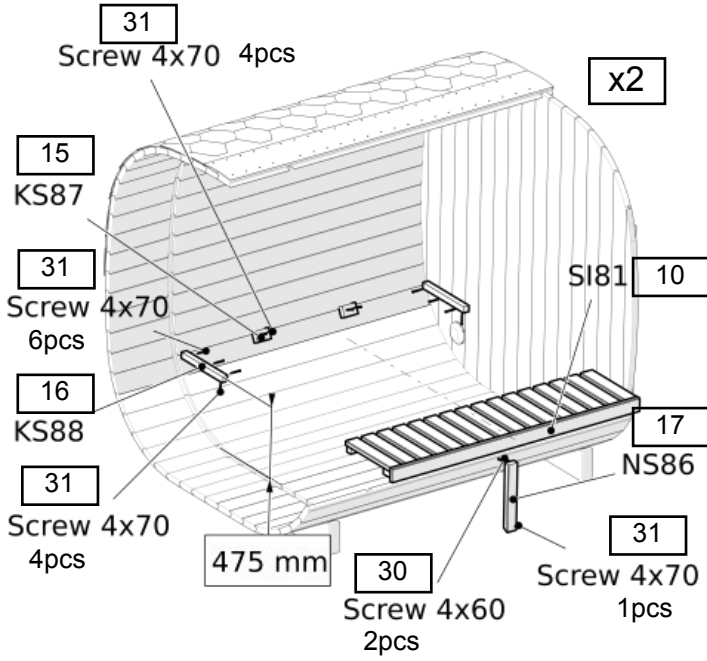


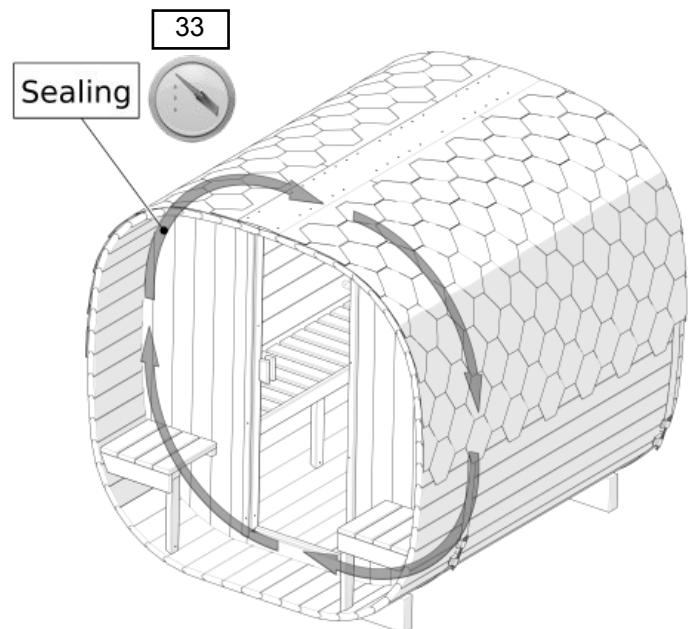
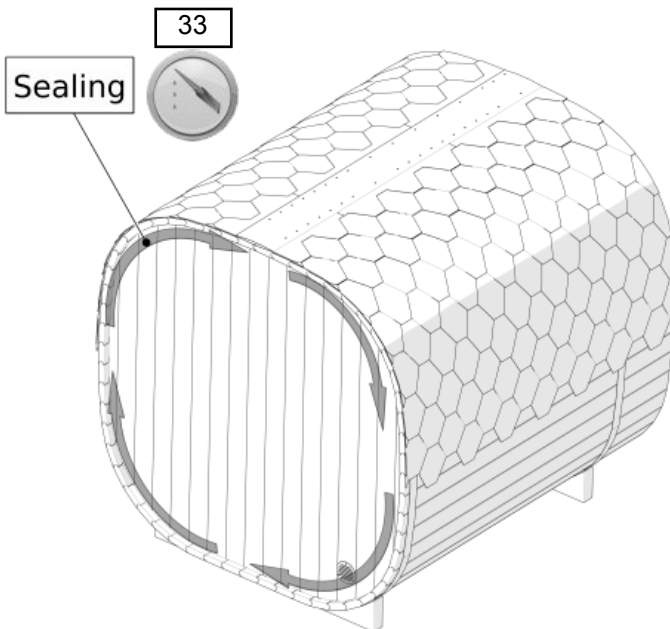
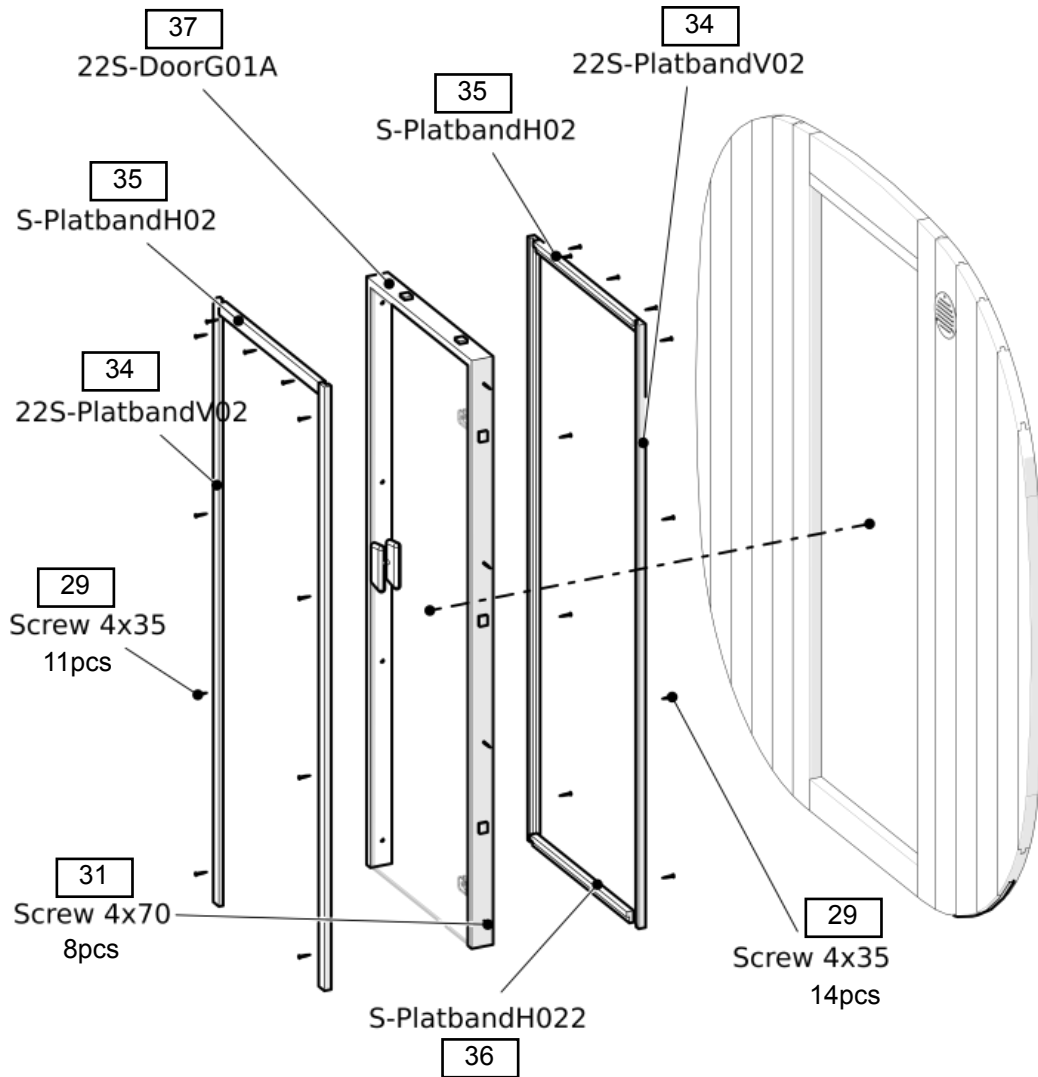
Assembly 6



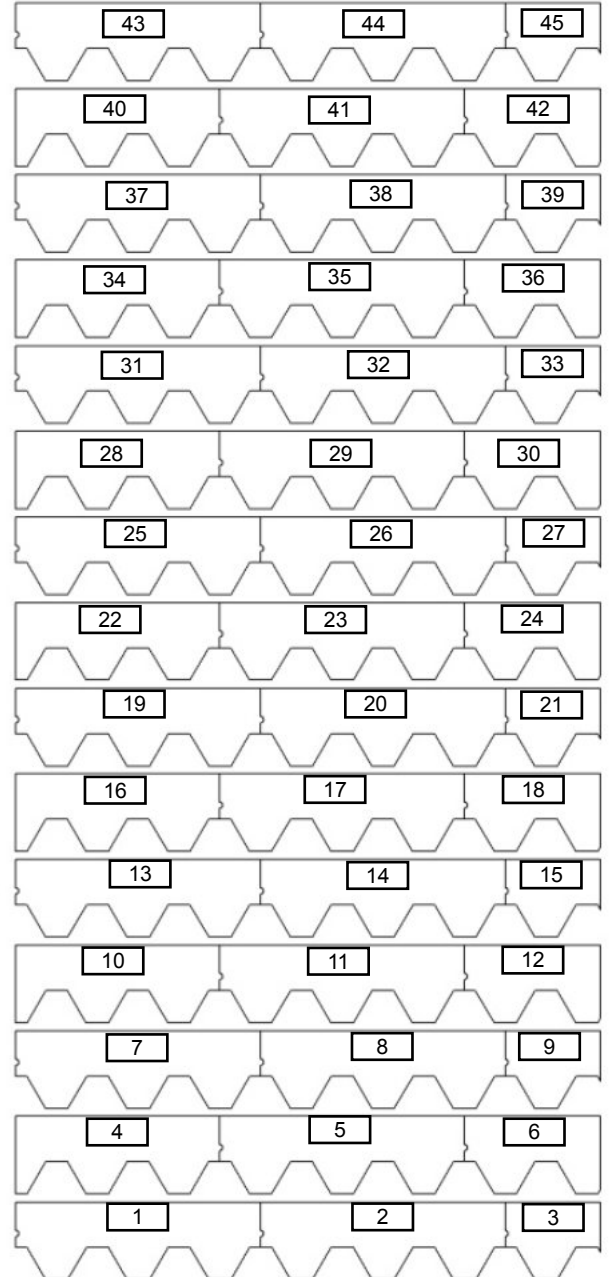
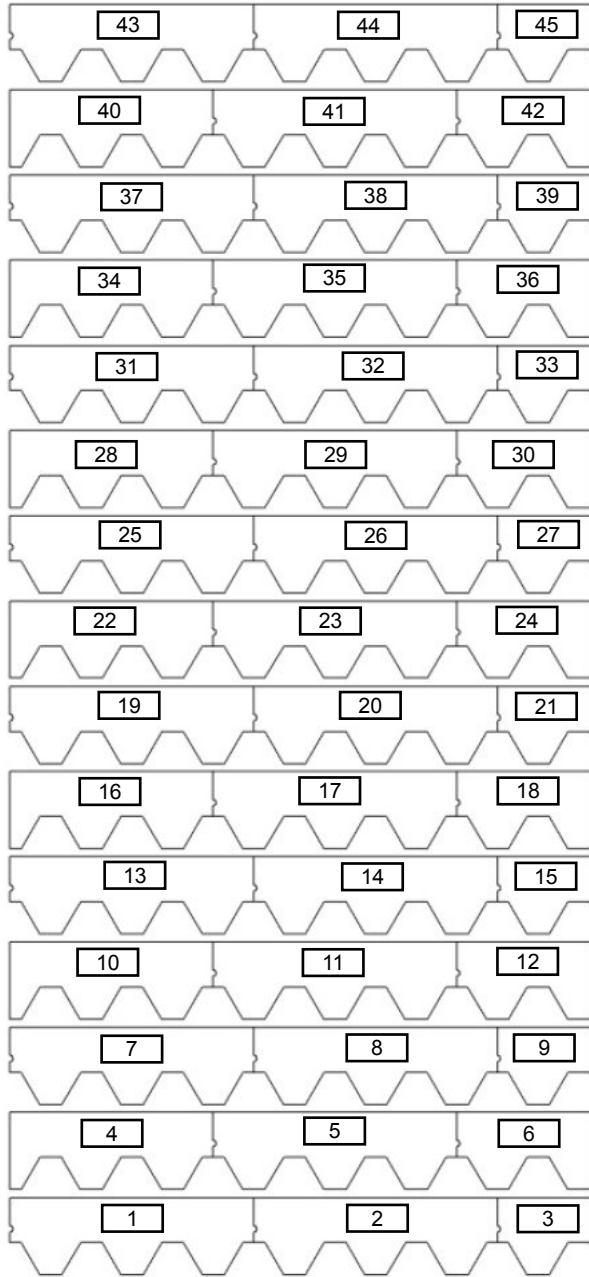








Roof layout



Assembly tools:

