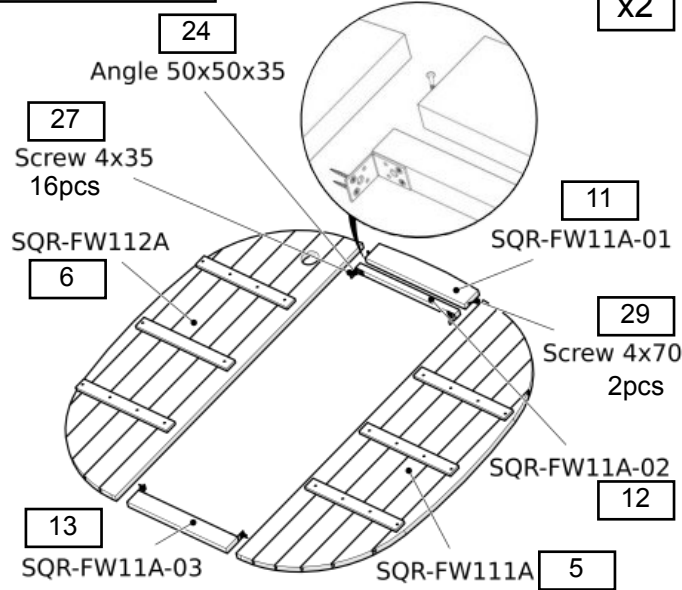


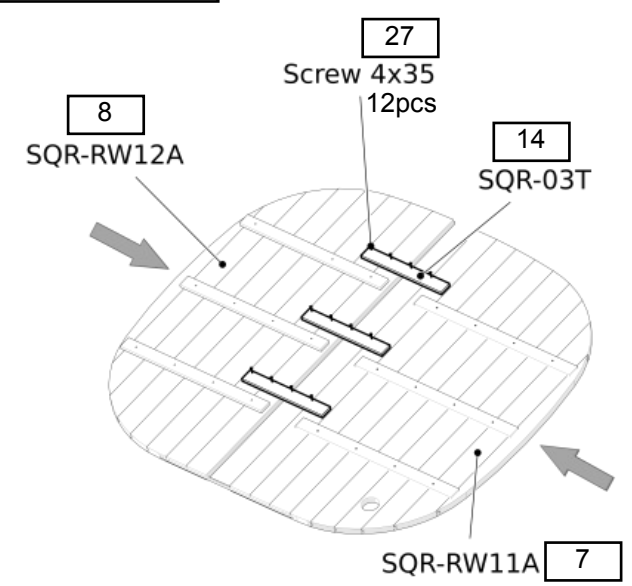




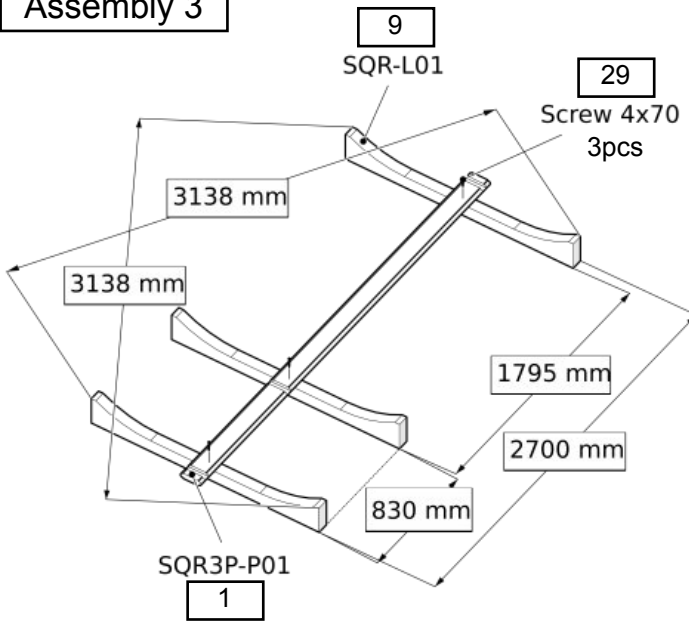
### Assembly 1



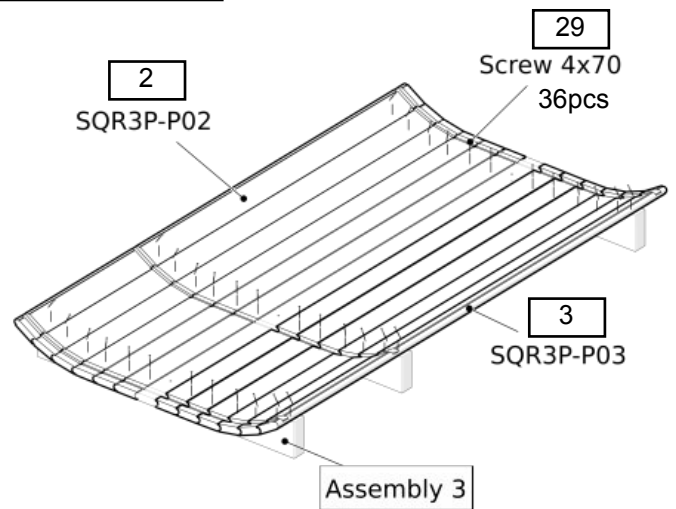
### Assembly 2



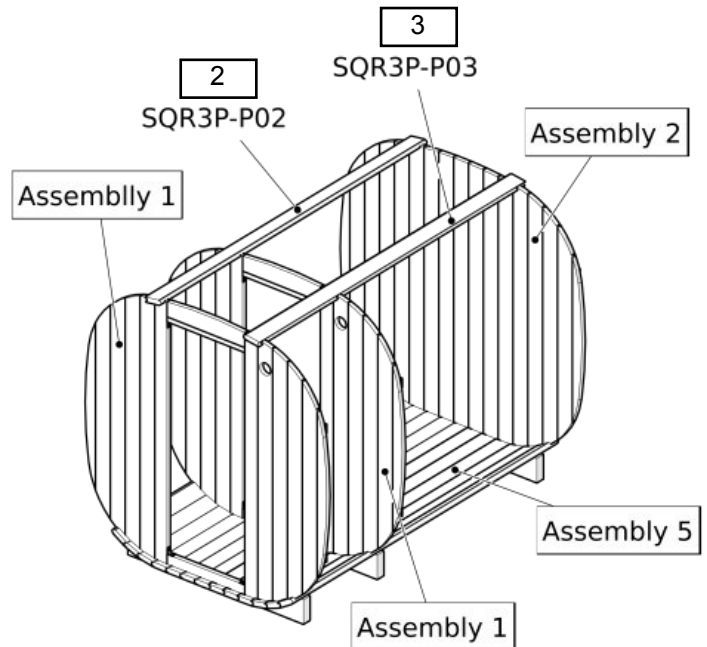
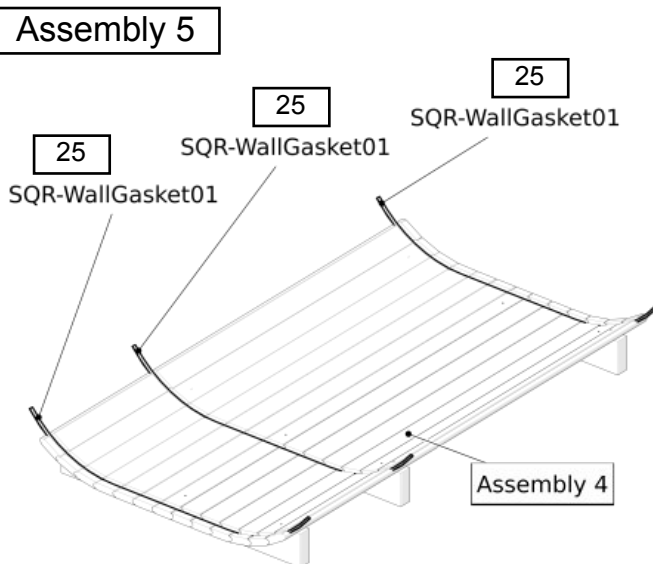
### Assembly 3

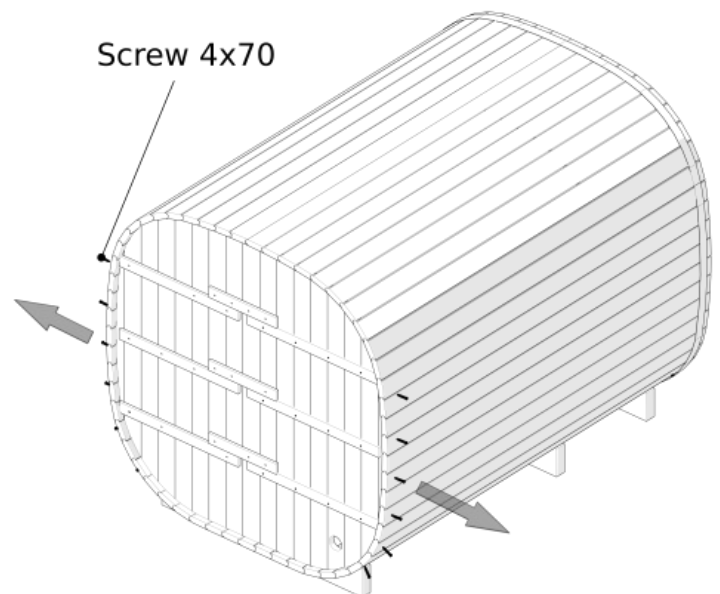
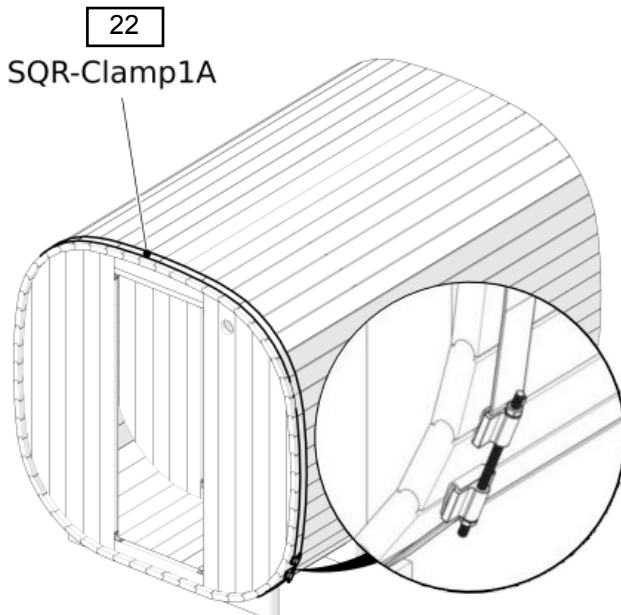
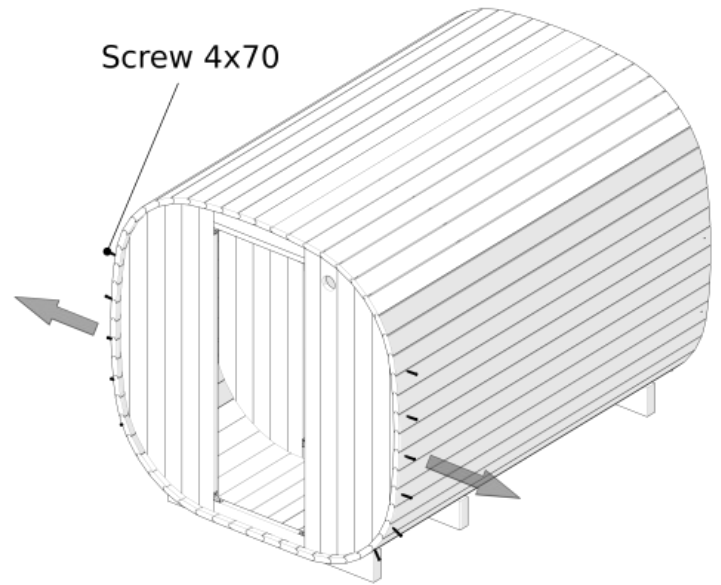
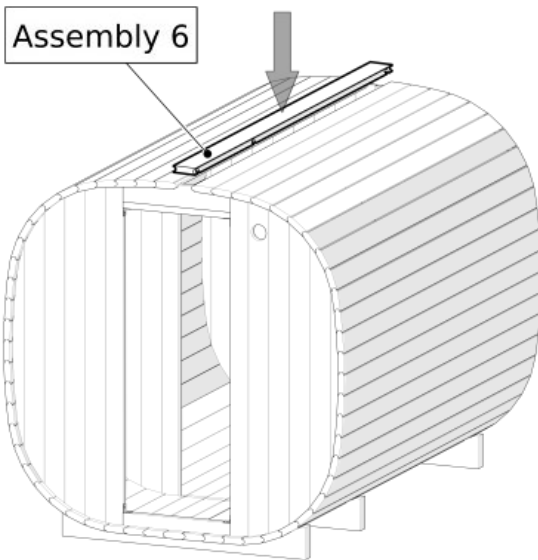
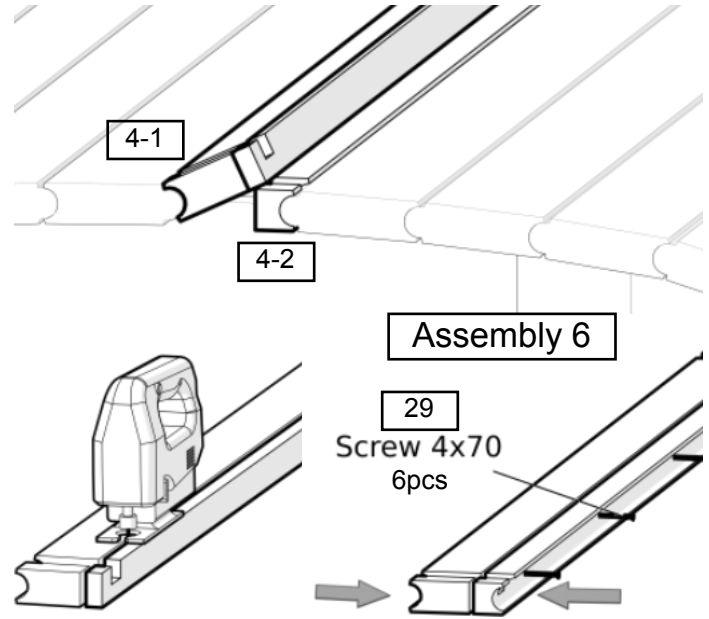
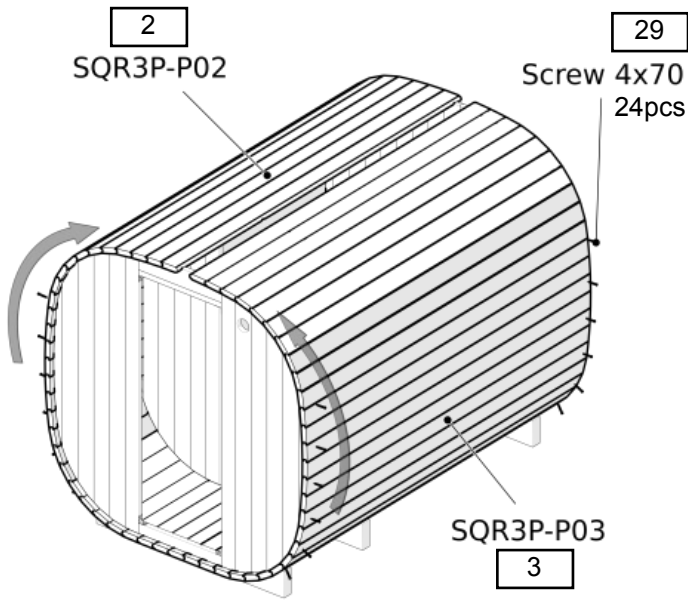


### Assembly 4

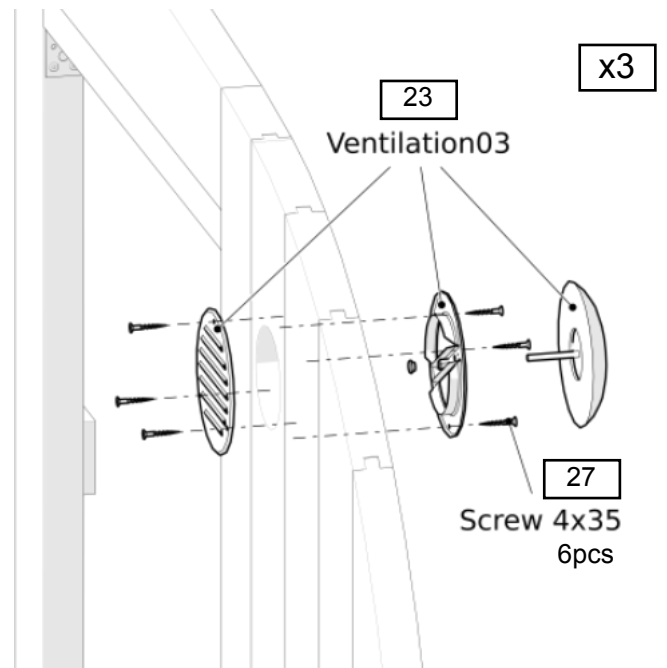
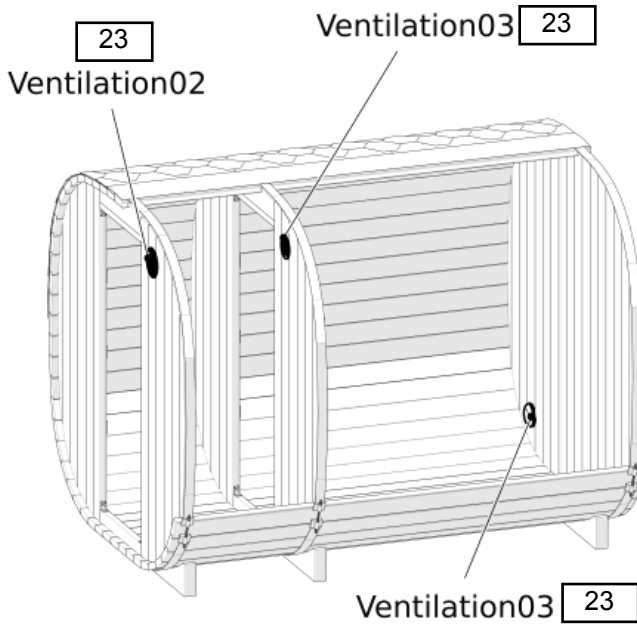
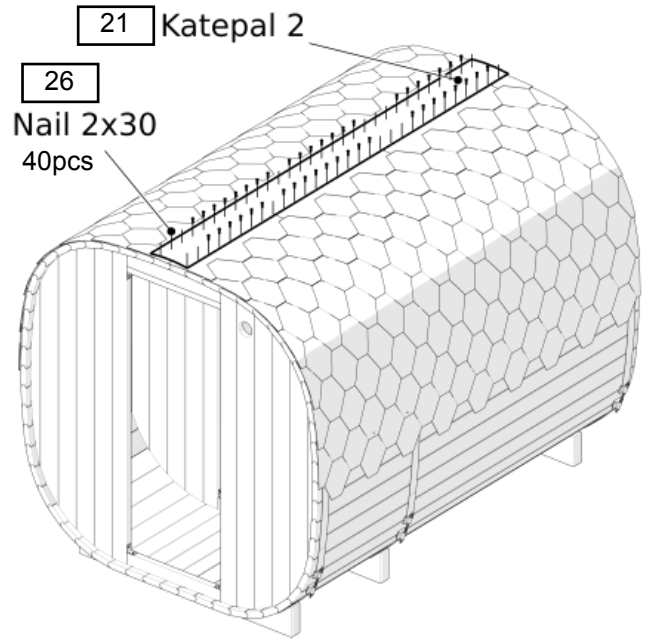
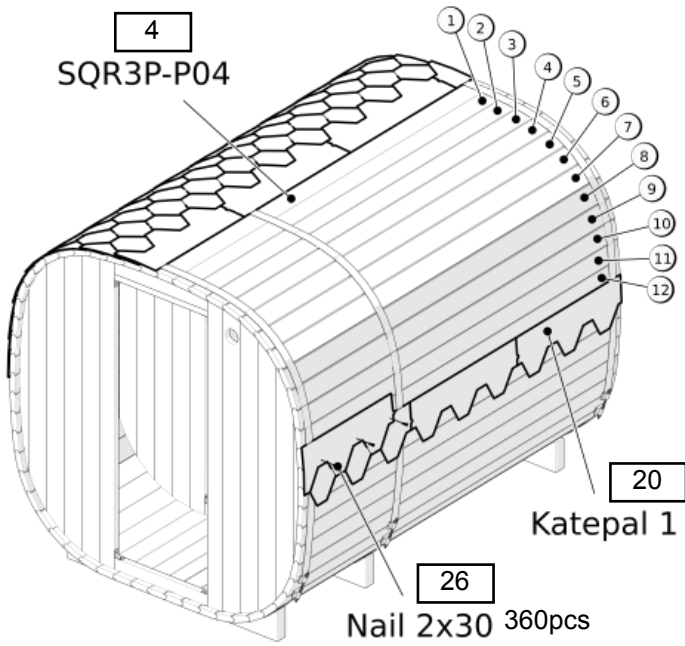
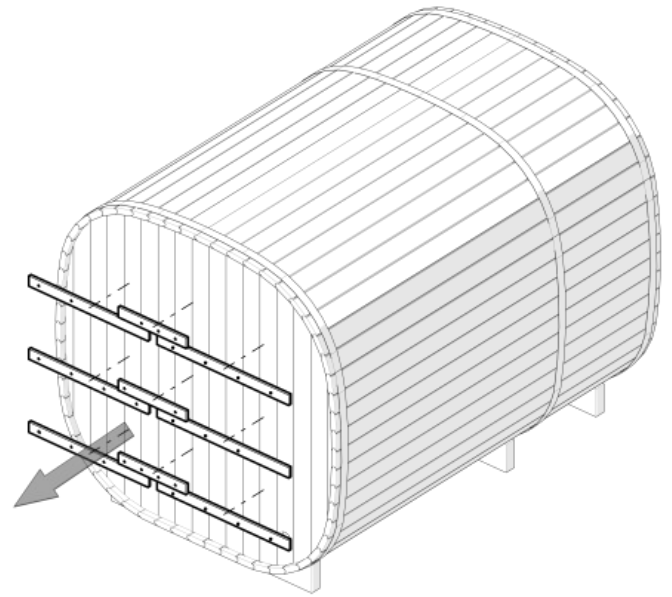
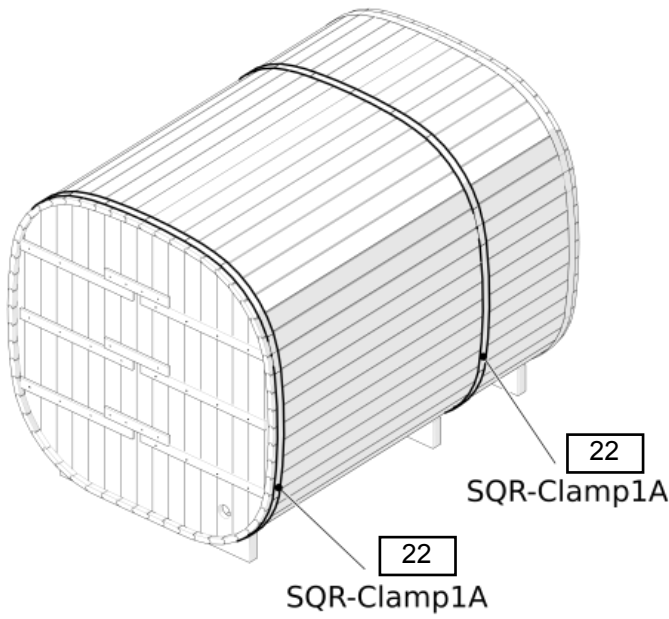


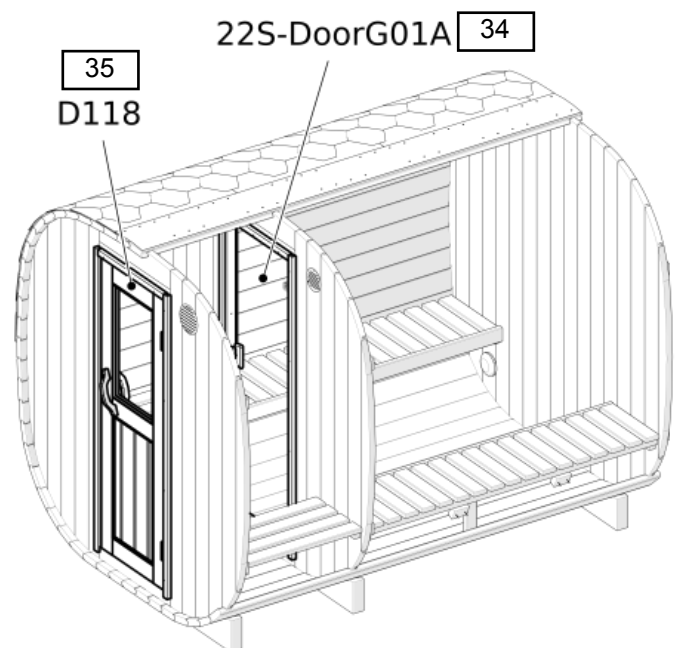
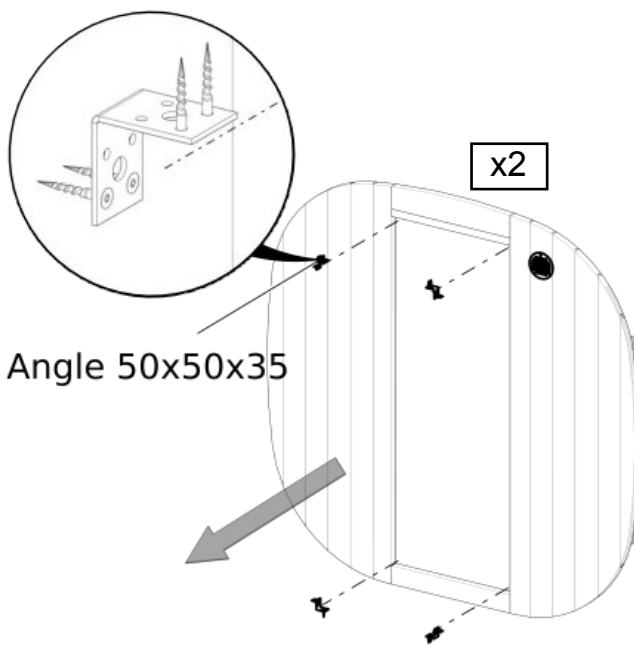
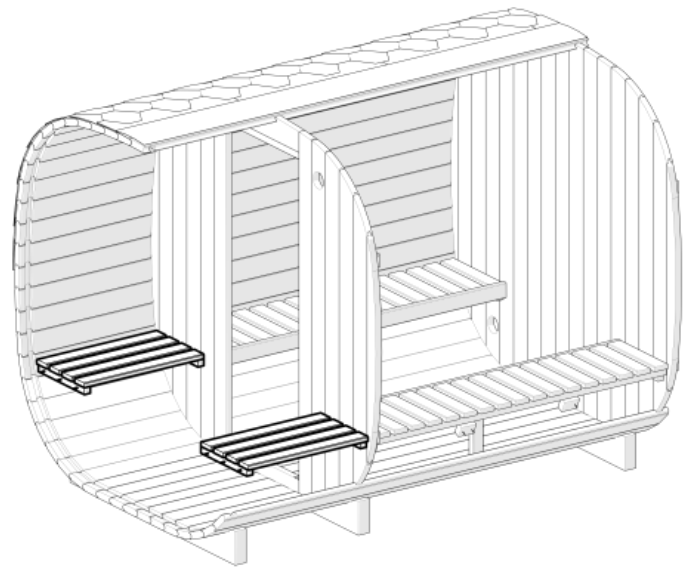
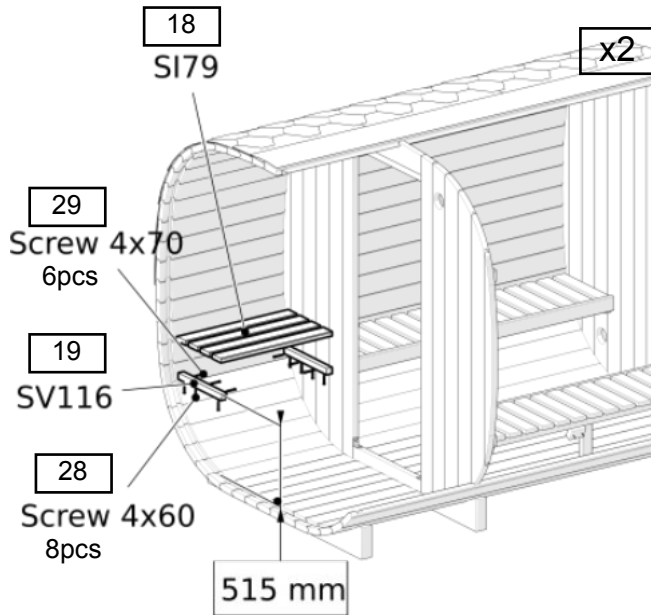
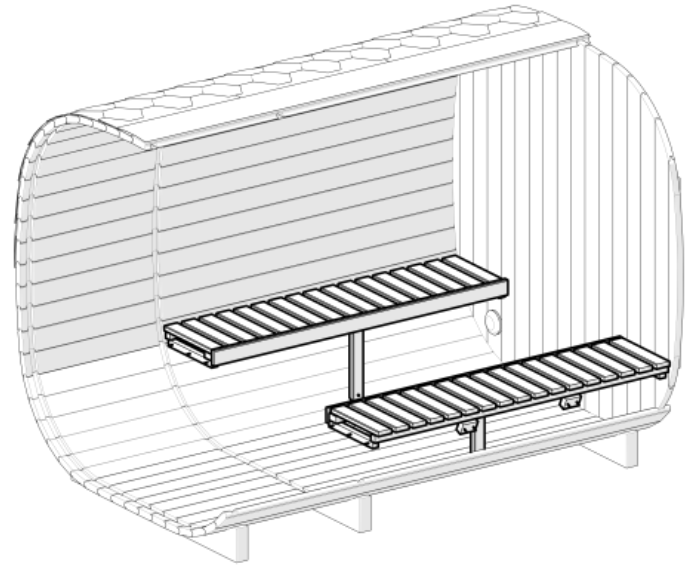
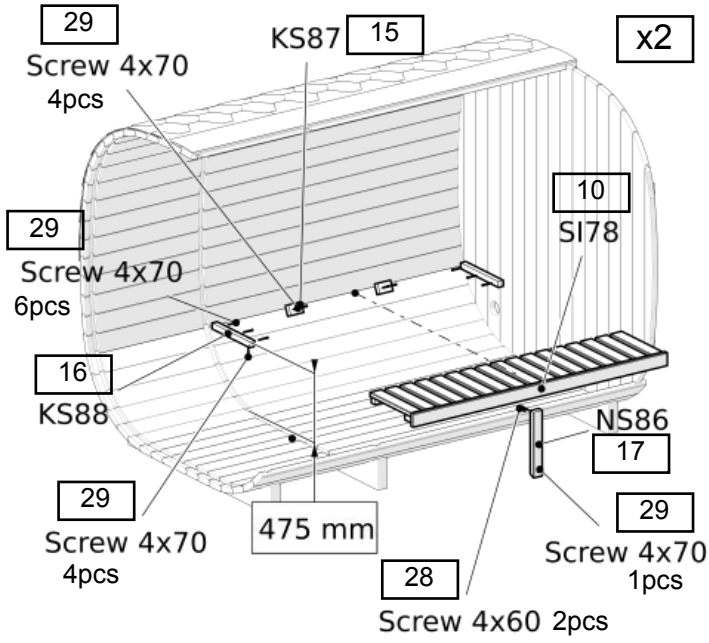
### Assembly 5

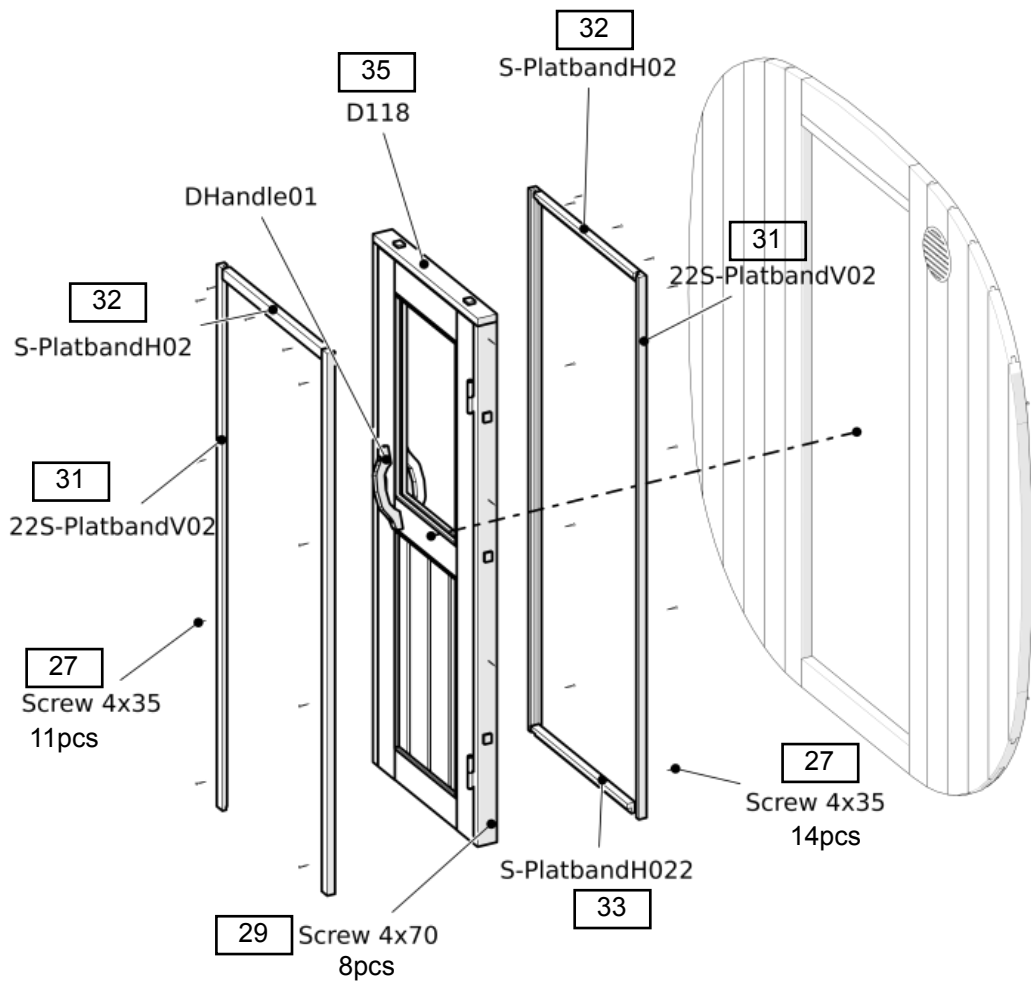
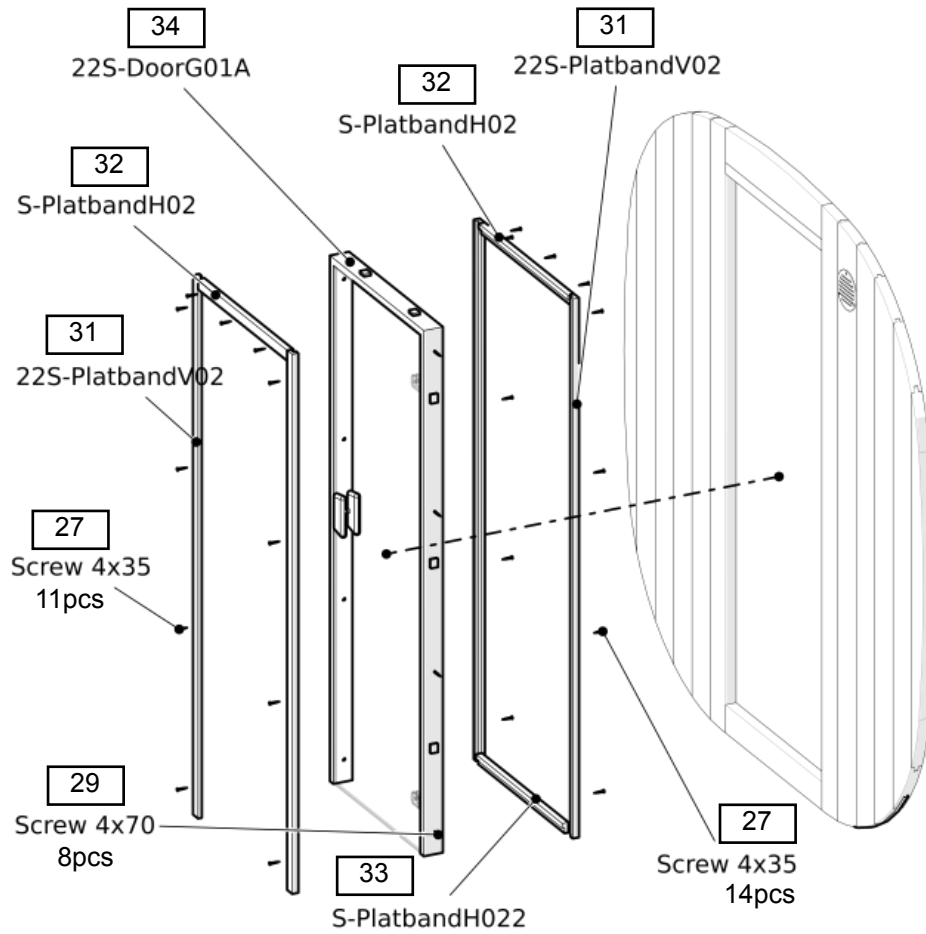


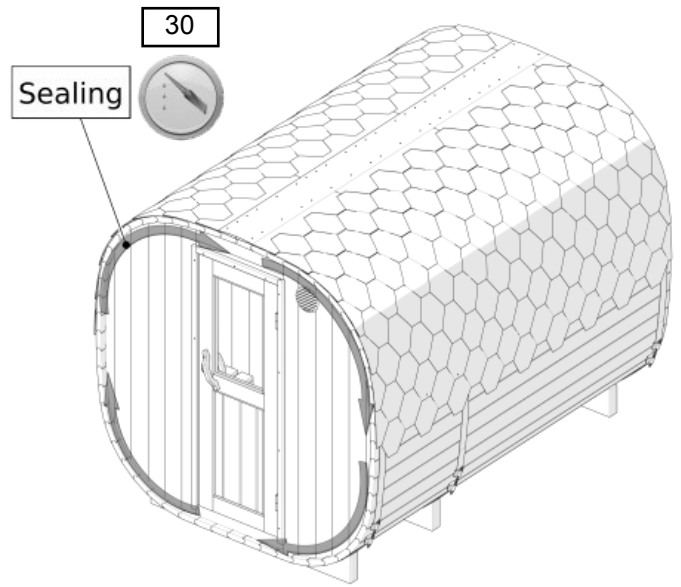
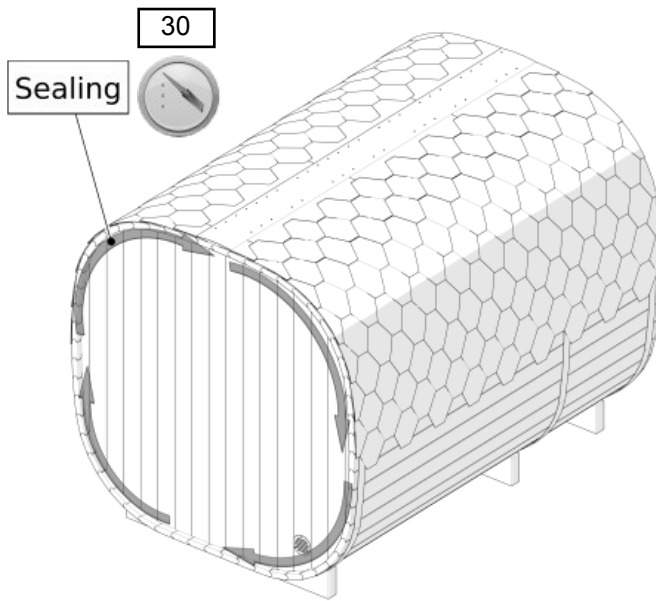








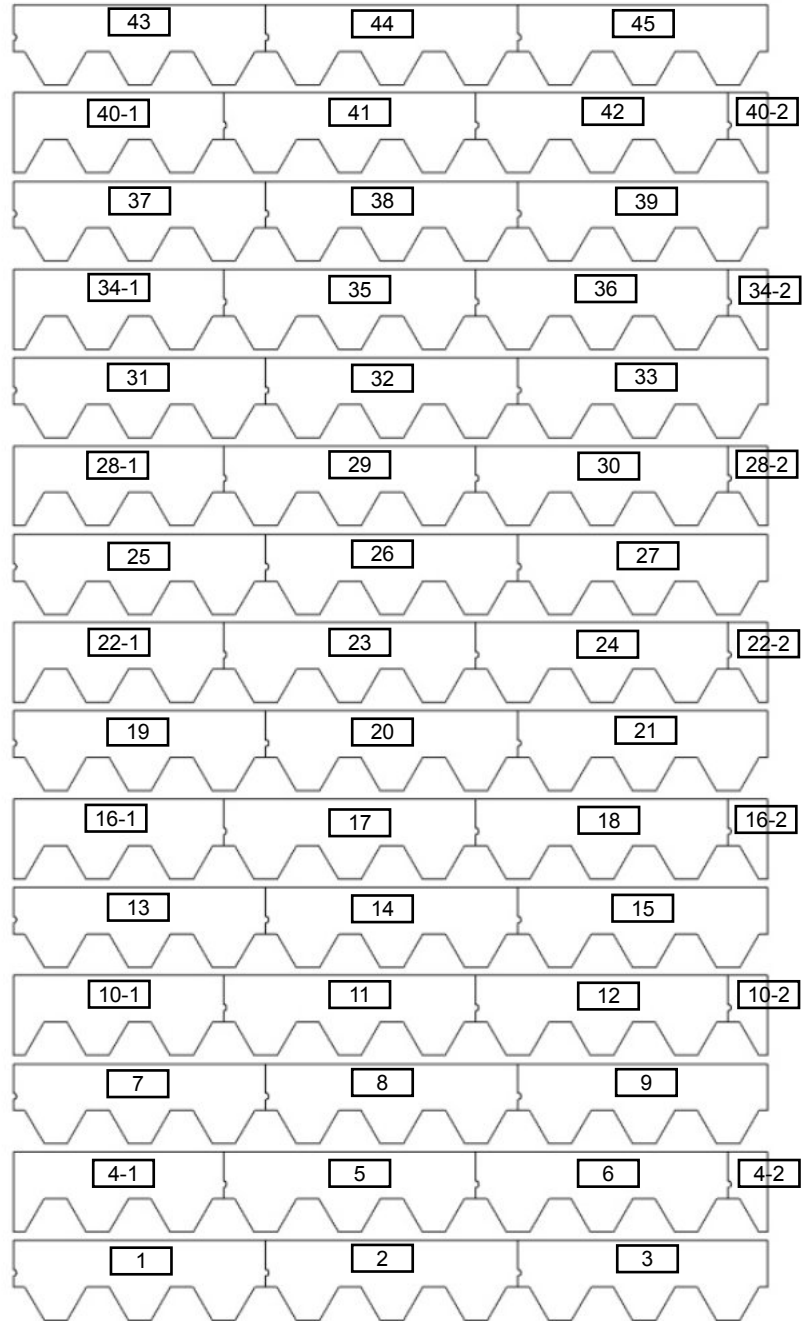




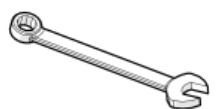
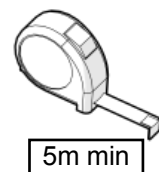
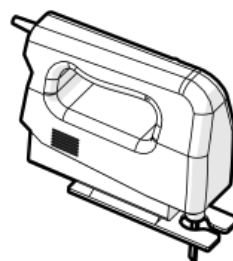
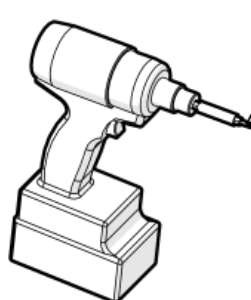


Roof layout

x2



Assembly tools:



19

